

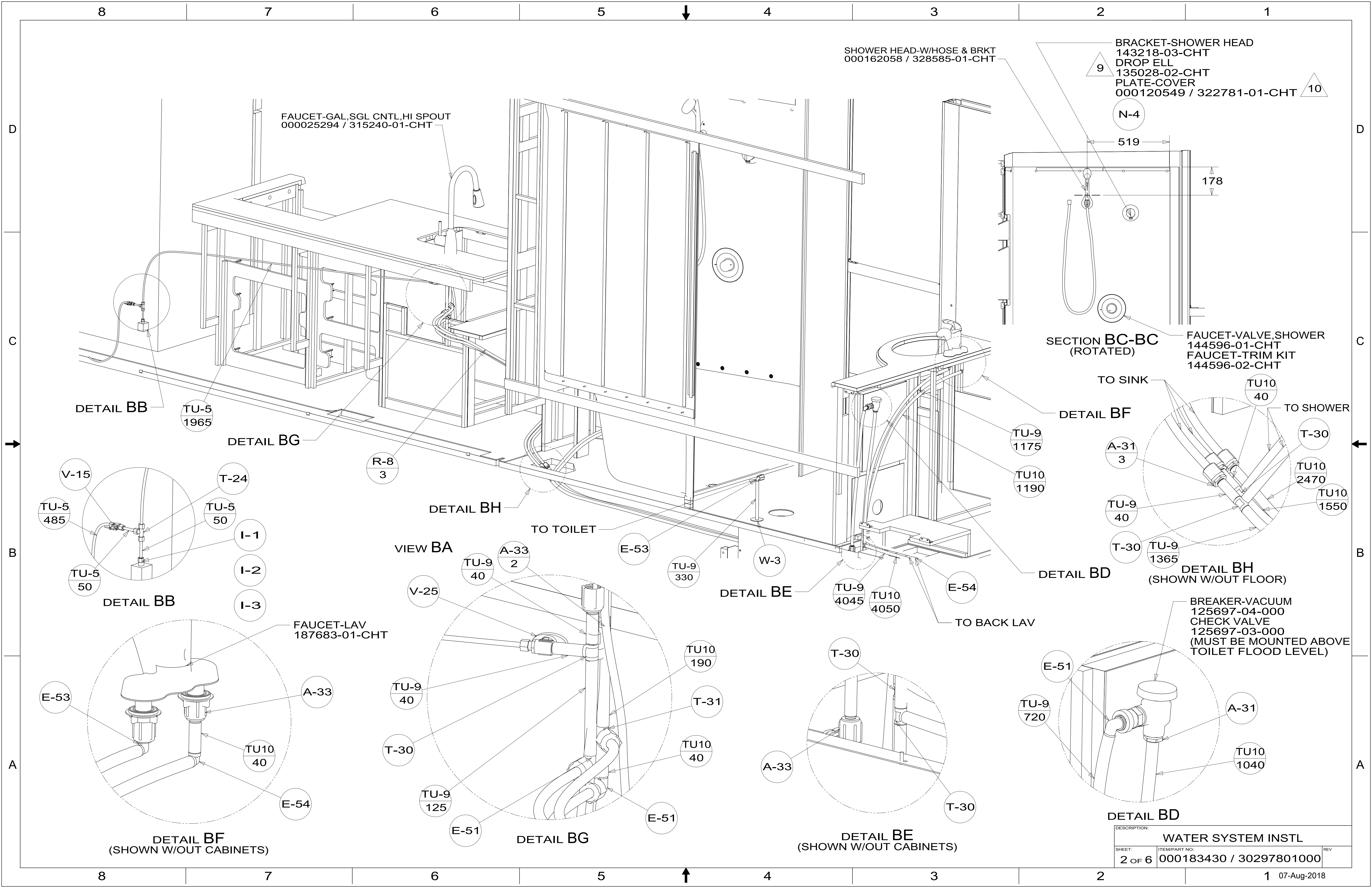
- 21M WASHER/DRYER PREP
- 21S WASHER & DRYER-PAIR



DSNR:		ALL DIMENSIONS ARE IN MILLIMETERS	
DFTR:		MATERIAL:	
UNSPECIFIED TOLERANCES:			
WHOLE DIM (X)	± 3		
ONE-PLACE (X.X)	± 1.5		
TWO-PLACE (X.XX)	± 0.50		
ANGLE	± 1°		
REFER TO ES0018 FOR FASTENER TIGHTENING GUIDELINES		WEIGHT: (LBS)	FIRST USED: (REF)
			17 L38W
DESCRIPTION: WATER SYSTEM INSTL			
SHEET: 1 OF 6	ITEM/PART NO: 000183430 / 30297801000	REV	

FOR WATER CALLOUTS SEE DWG NO. 000209446 / 303369-01-000

NOTES:



FAUCET-GAL,SGL CNTL,HI SPOUT
000025294 / 315240-01-CHT

SHOWER HEAD-W/HOSE & BRKT
000162058 / 328585-01-CHT

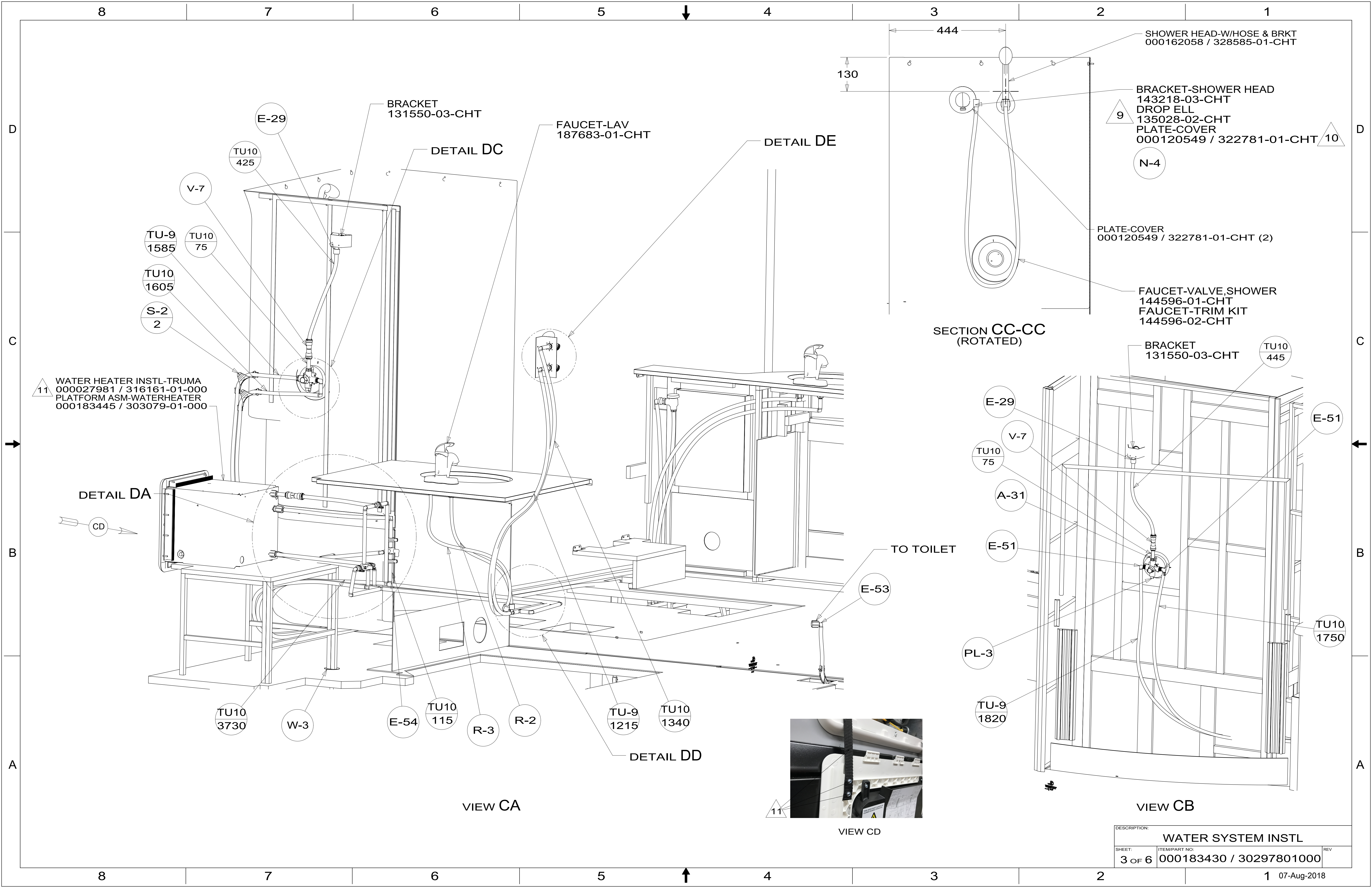
BRACKET-SHOWER HEAD
143218-03-CHT
DROP ELL
135028-02-CHT
PLATE-COVER
000120549 / 322781-01-CHT

SECTION BC-BC
(ROTATED)
FAUCET-VALVE,SHOWER
144596-01-CHT
FAUCET-TRIM KIT
144596-02-CHT

FAUCET-LAV
187683-01-CHT

BREAKER-VACUUM
125697-04-000
CHECK VALVE
125697-03-000
(MUST BE MOUNTED ABOVE
TOILET FLOOR LEVEL)

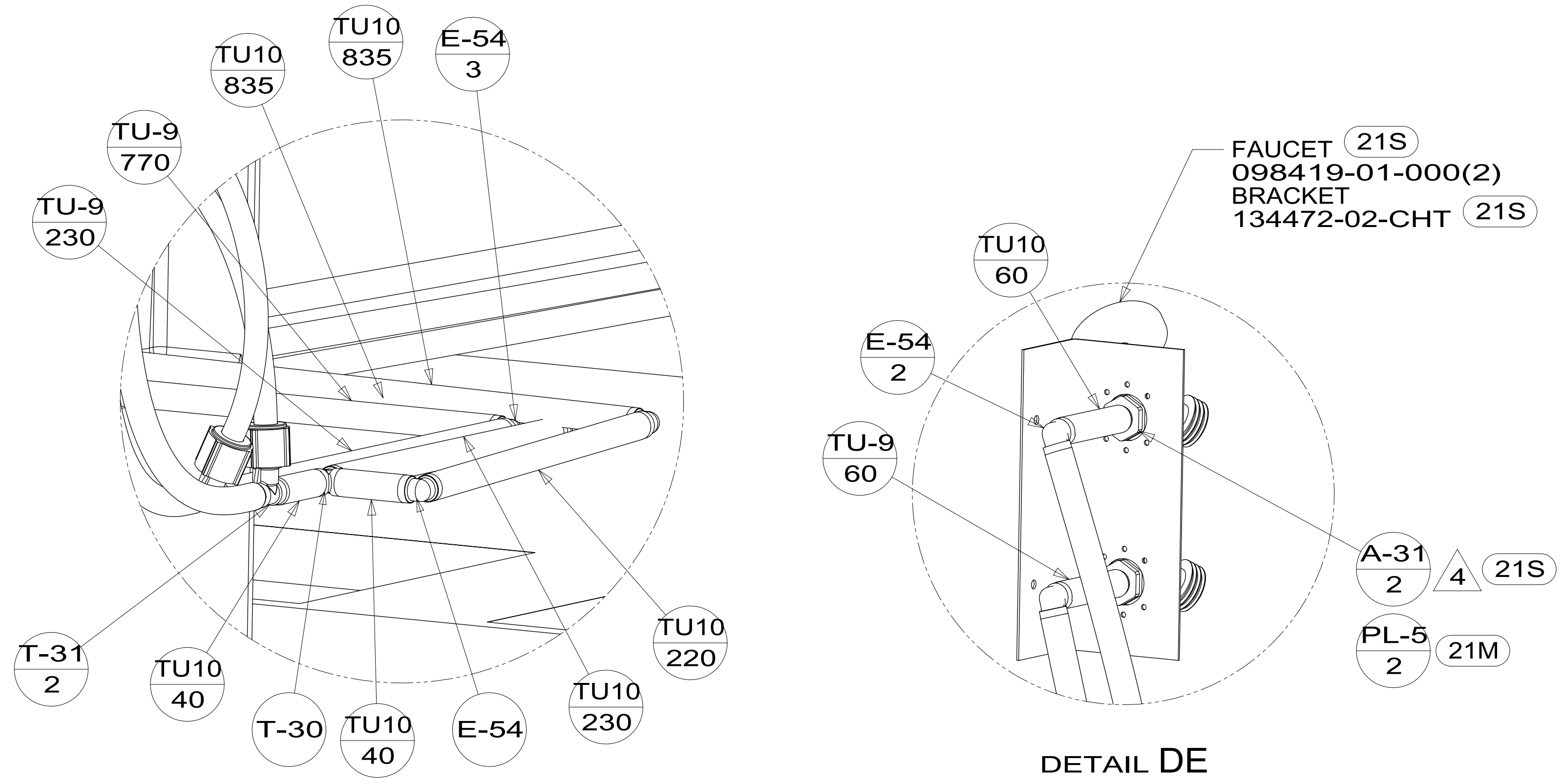
DESCRIPTION: WATER SYSTEM INSTL		
SHEET: 2 OF 6	ITEM/PART NO: 000183430 / 30297801000	REV
		07-Aug-2018



8 7 6 5 4 3 2 1

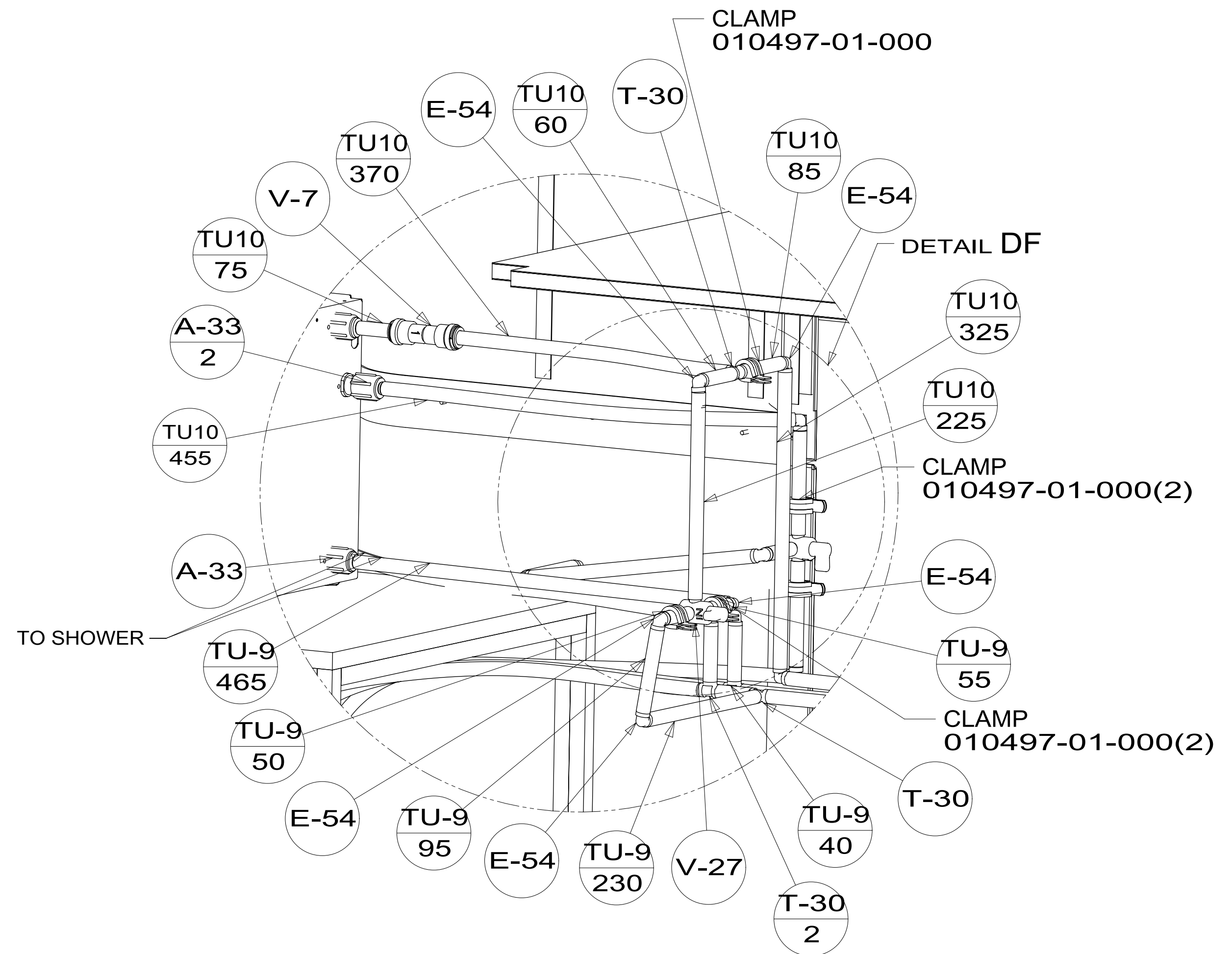
D

D

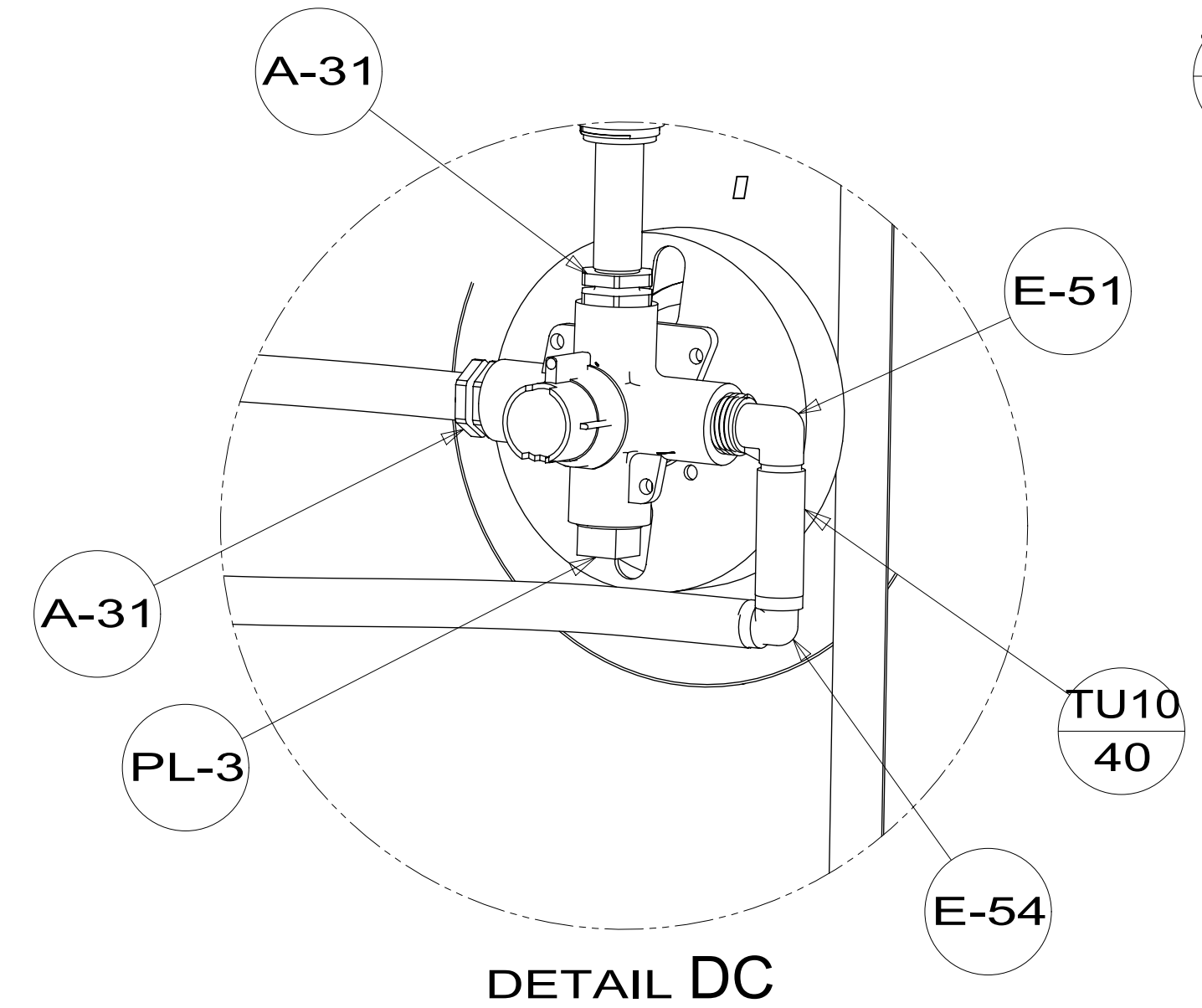


DETAIL DD (SHOWN W/OUT CABINETS)

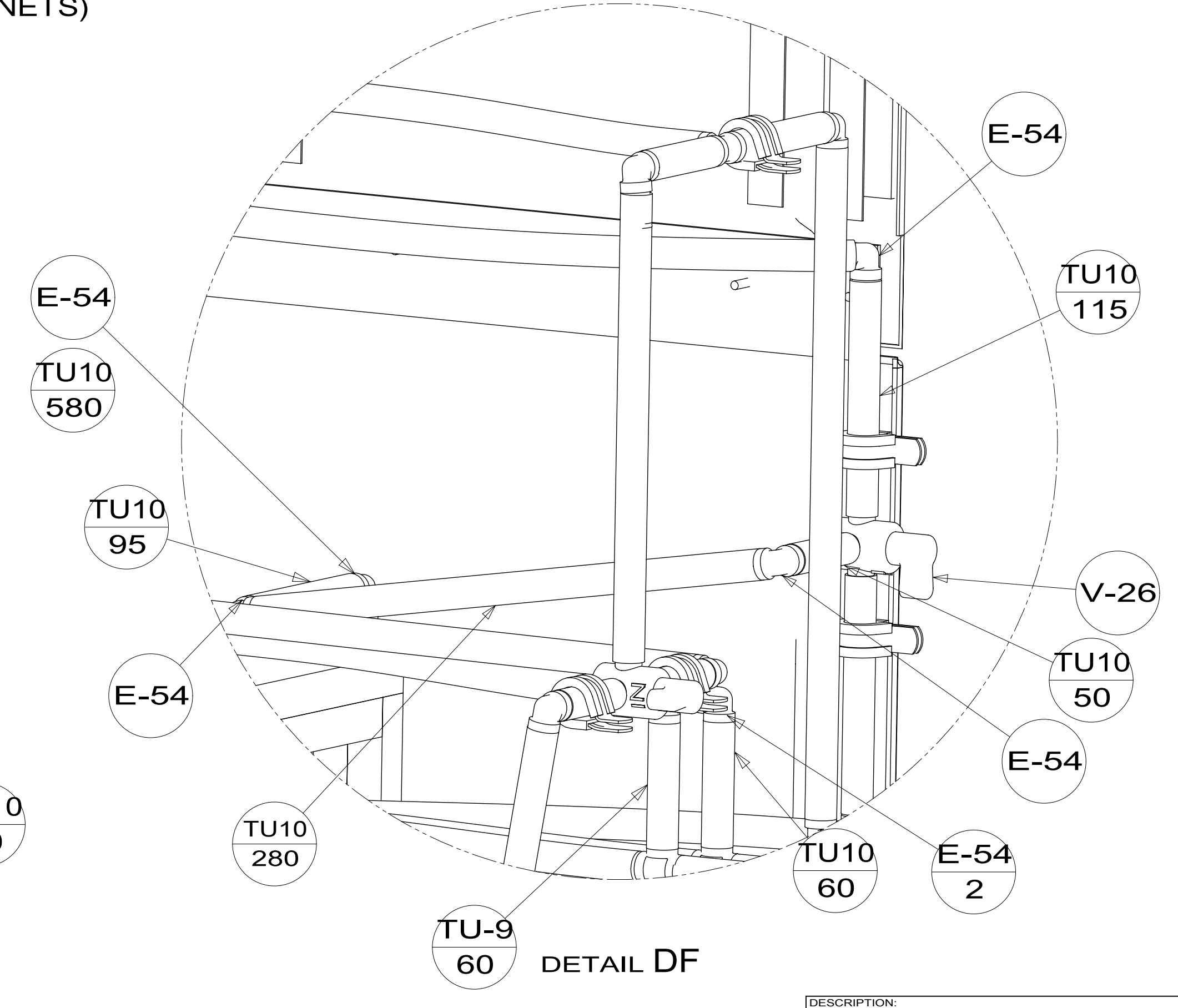
DETAIL DE



DETAIL DA



DETAIL DC



DETAIL DF

←

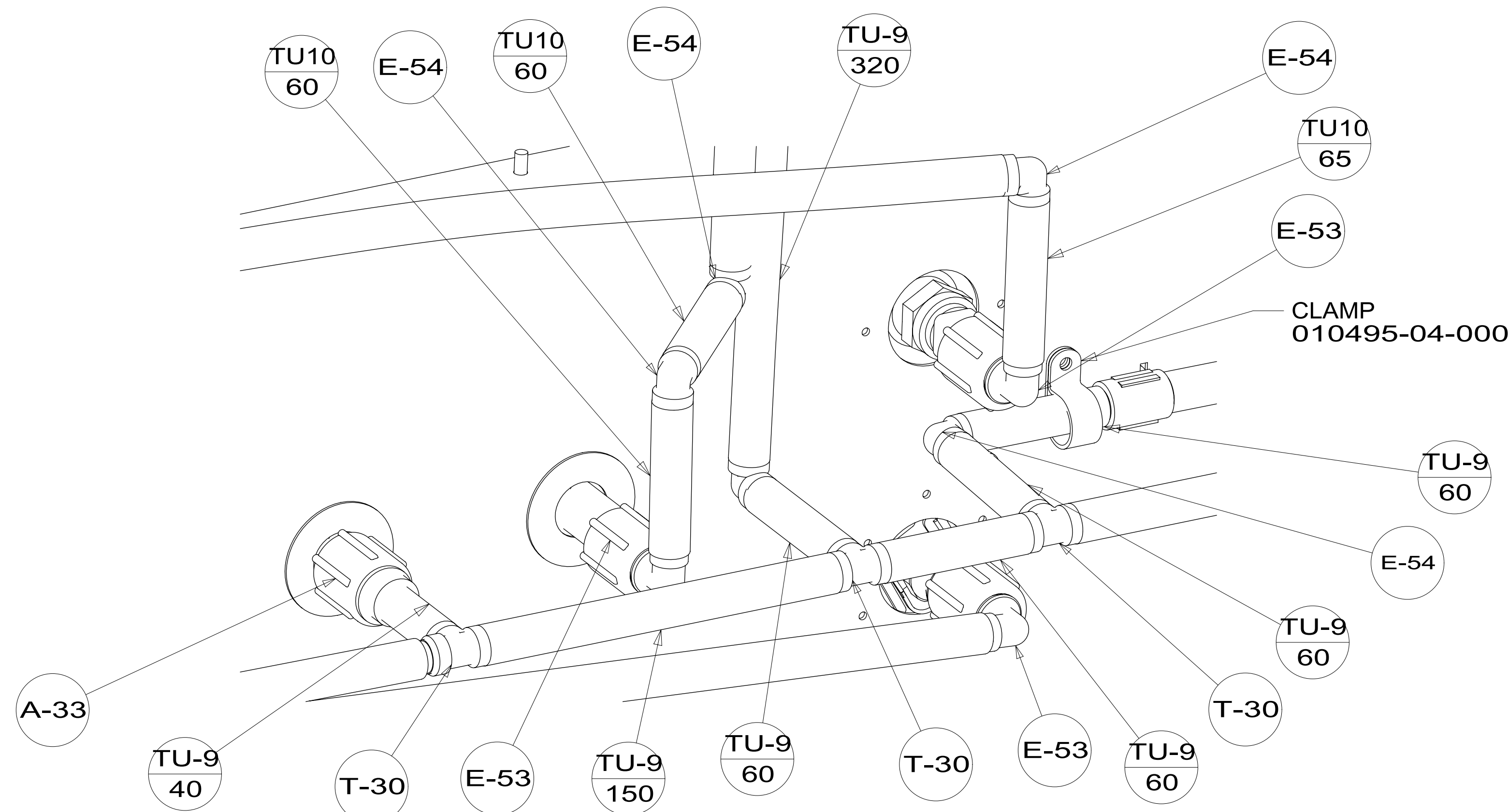
→

A

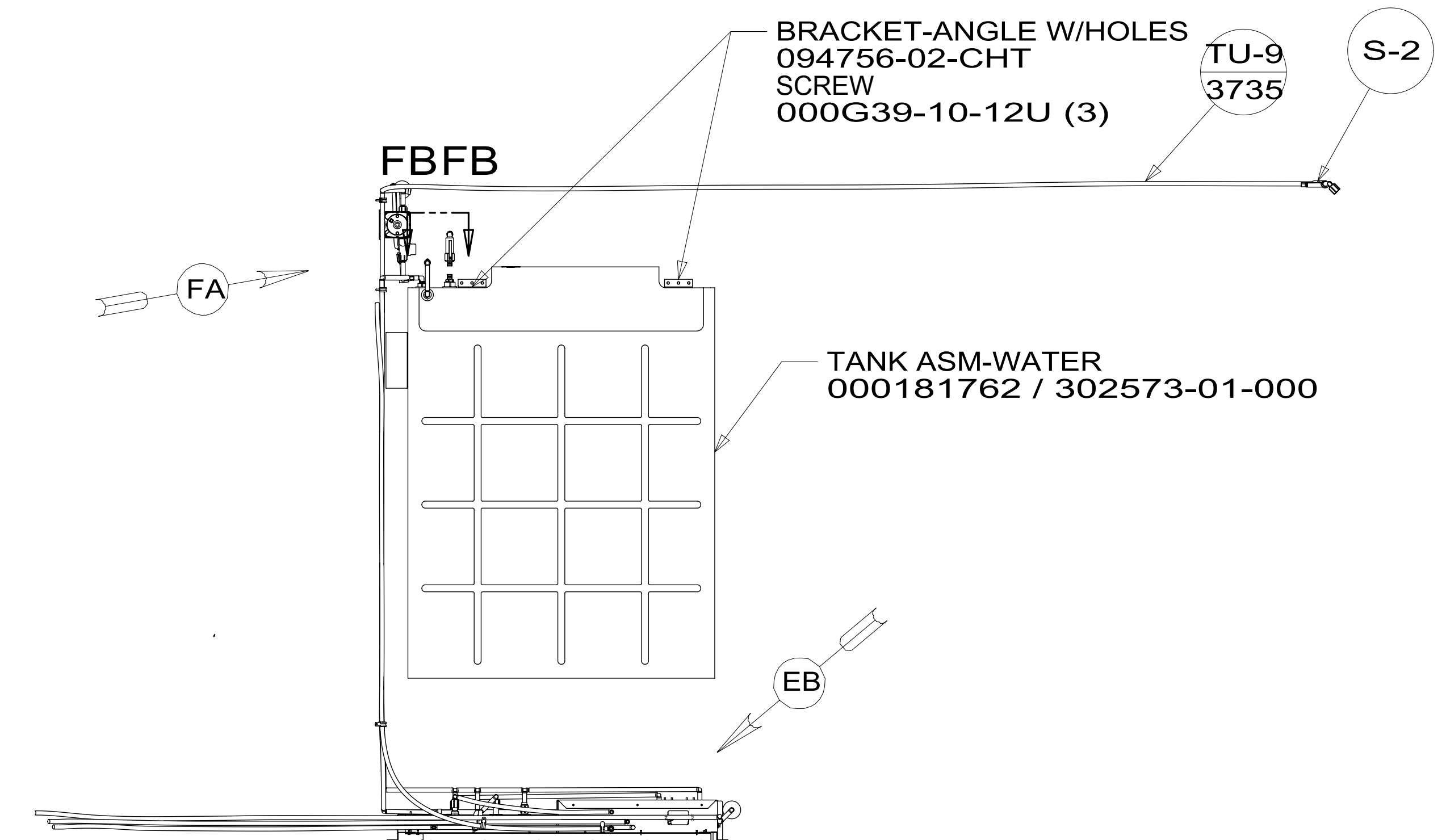
A

DESCRIPTION:		
WATER SYSTEM INSTL		
SHEET:	ITEM/PART NO.:	REV:
4 OF 6	000183430 / 30297801000	

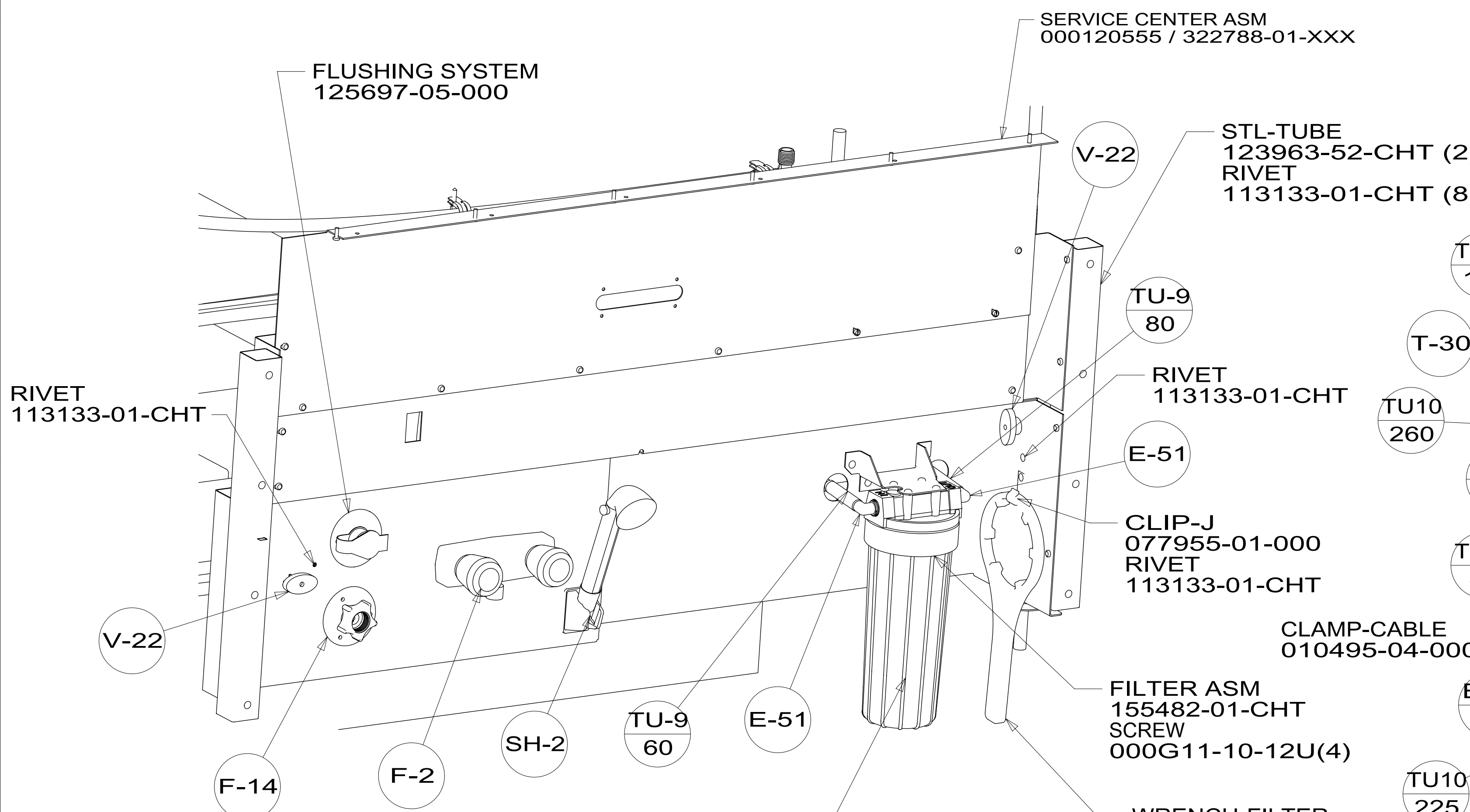
8 7 6 5 4 3 2 1 07-Aug-2018



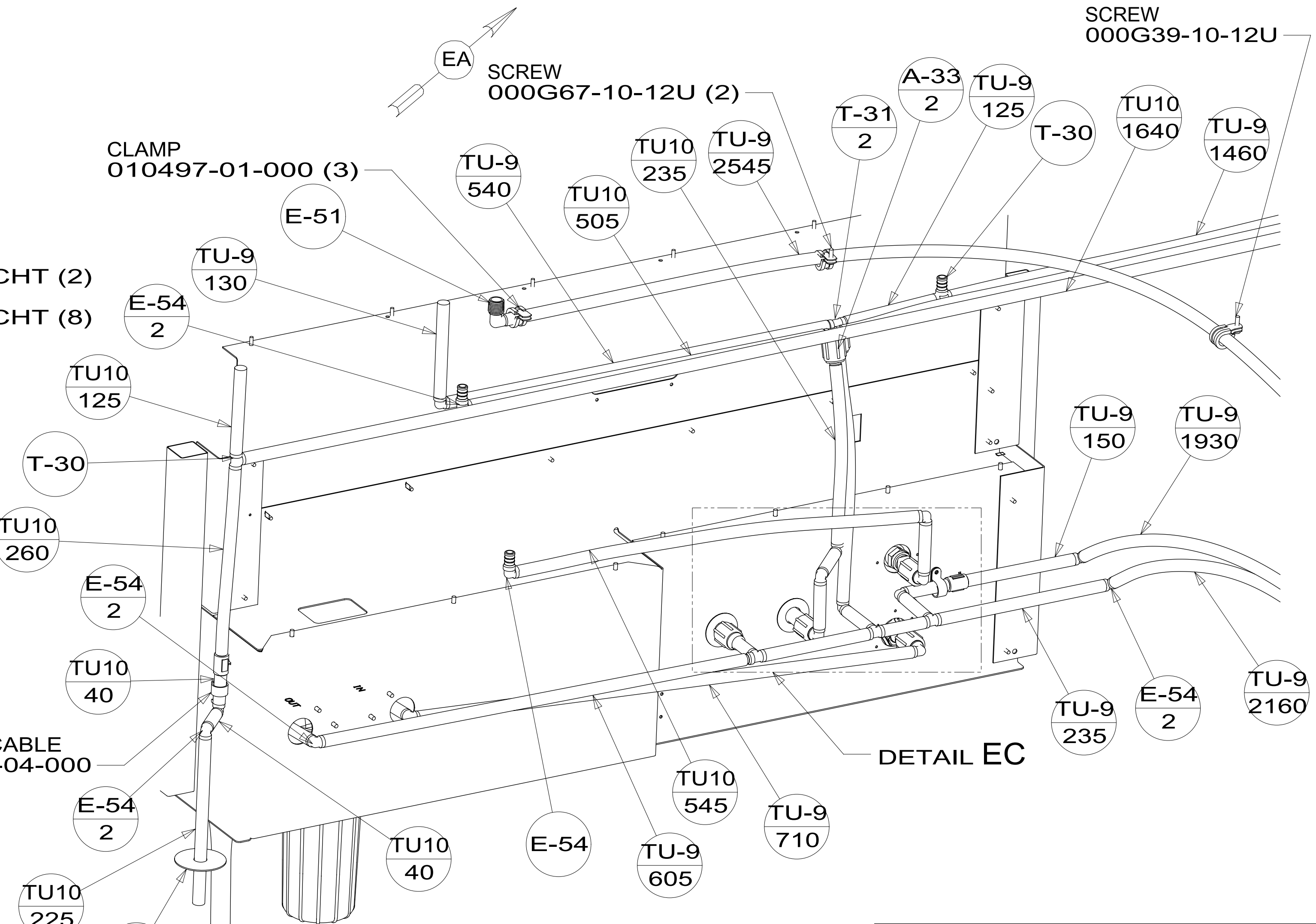
DETAIL EC



TOP VIEW SHOWING LINE UNDER FLOOR

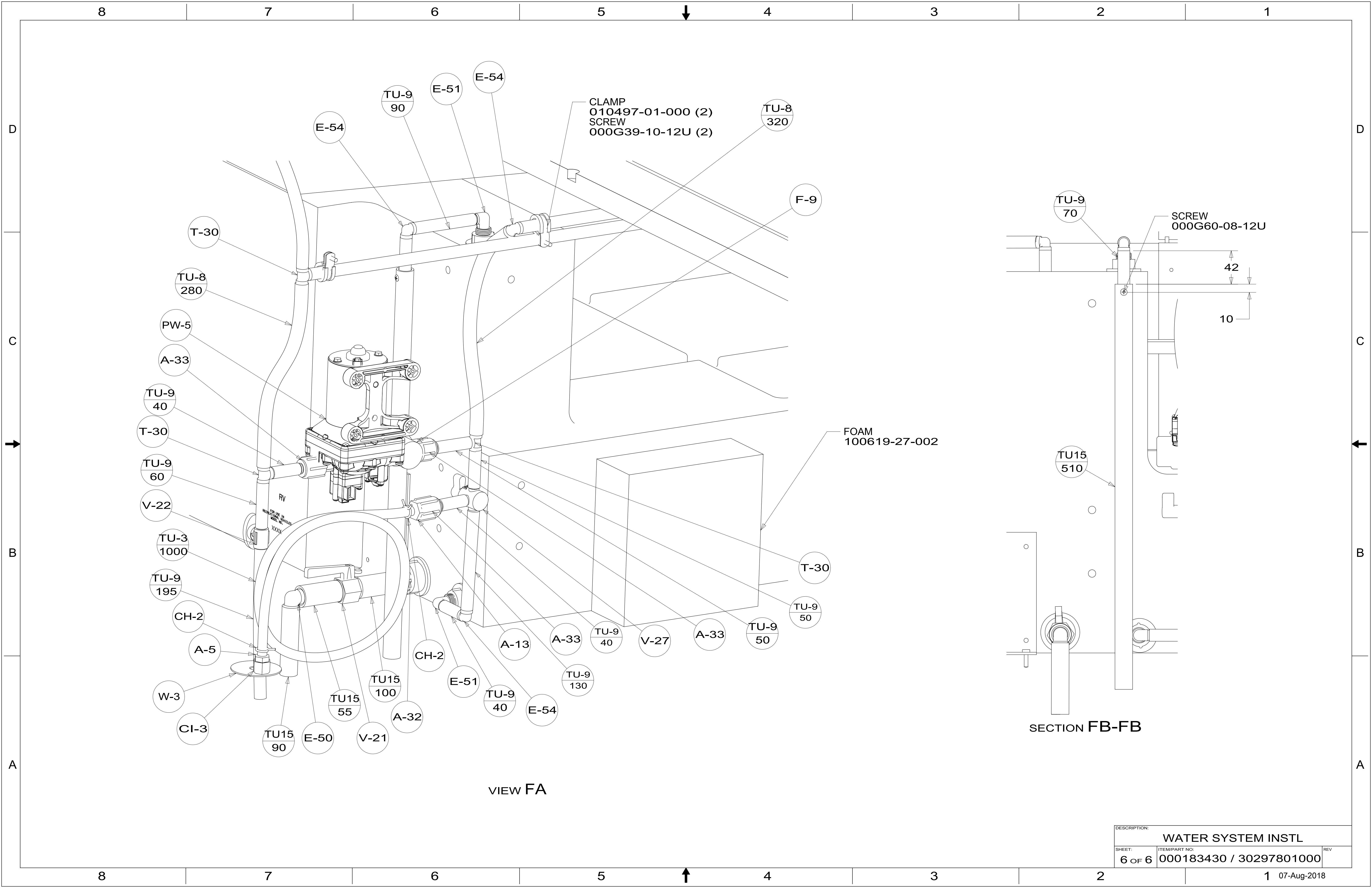


VIEW EA



VIEW EB

DESCRIPTION:		
WATER SYSTEM INSTL		
SHEET:	ITEM/PART NO.:	REV
5 OF 6	000183430 / 30297801000	



DESCRIPTION:		
WATER SYSTEM INSTL		
SHEET:	ITEM/PART NO.:	REV
6 OF 6	000183430 / 30297801000	