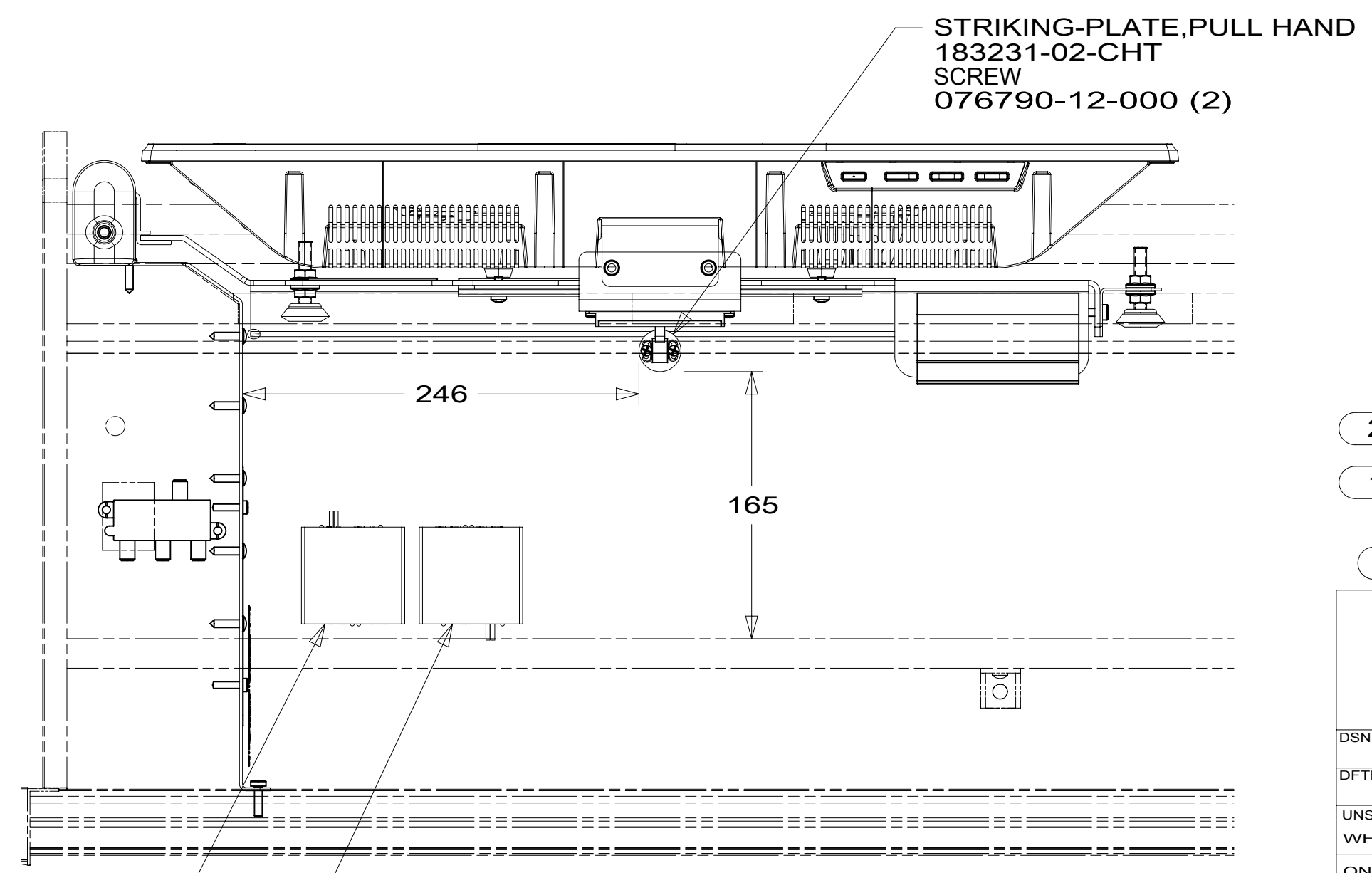
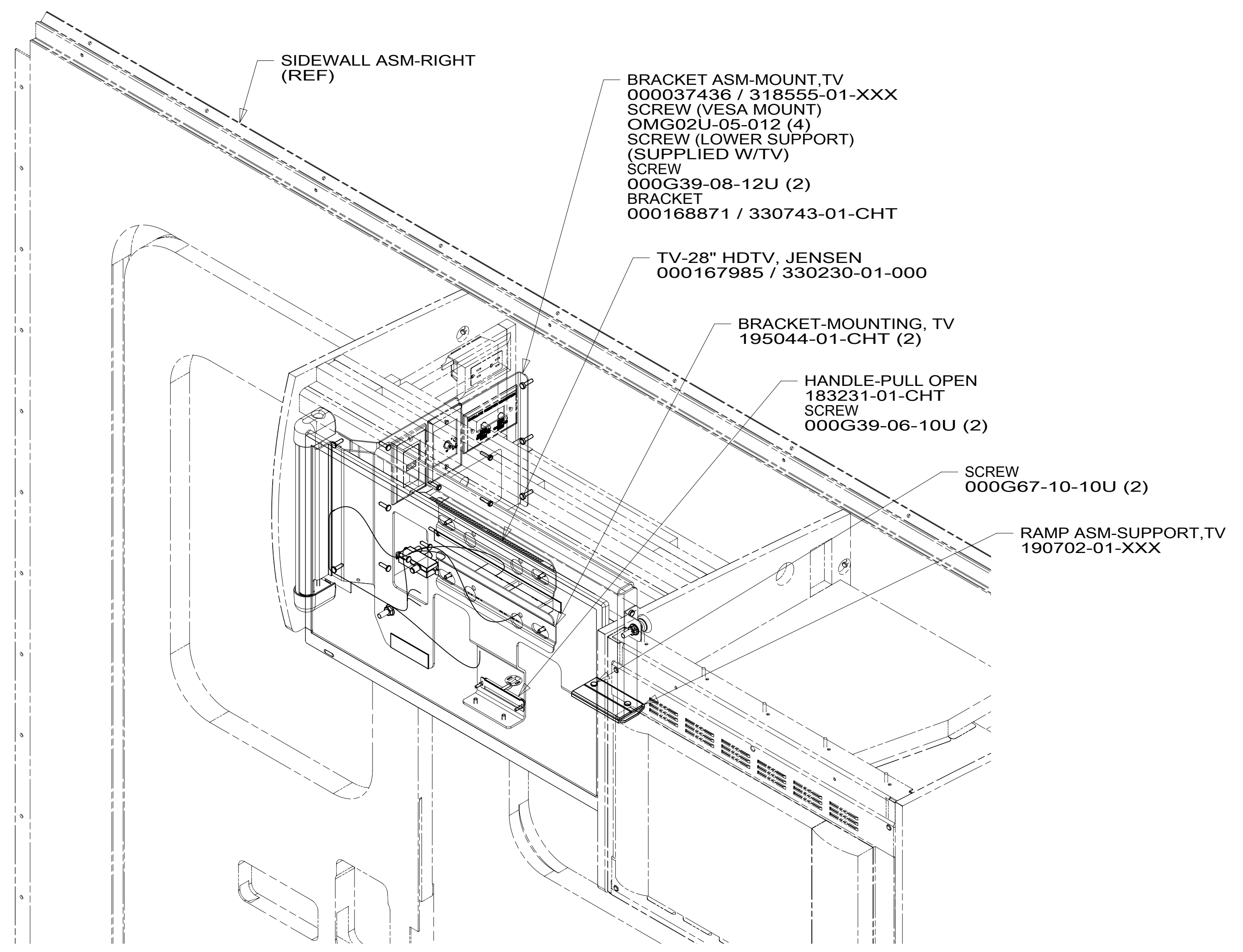
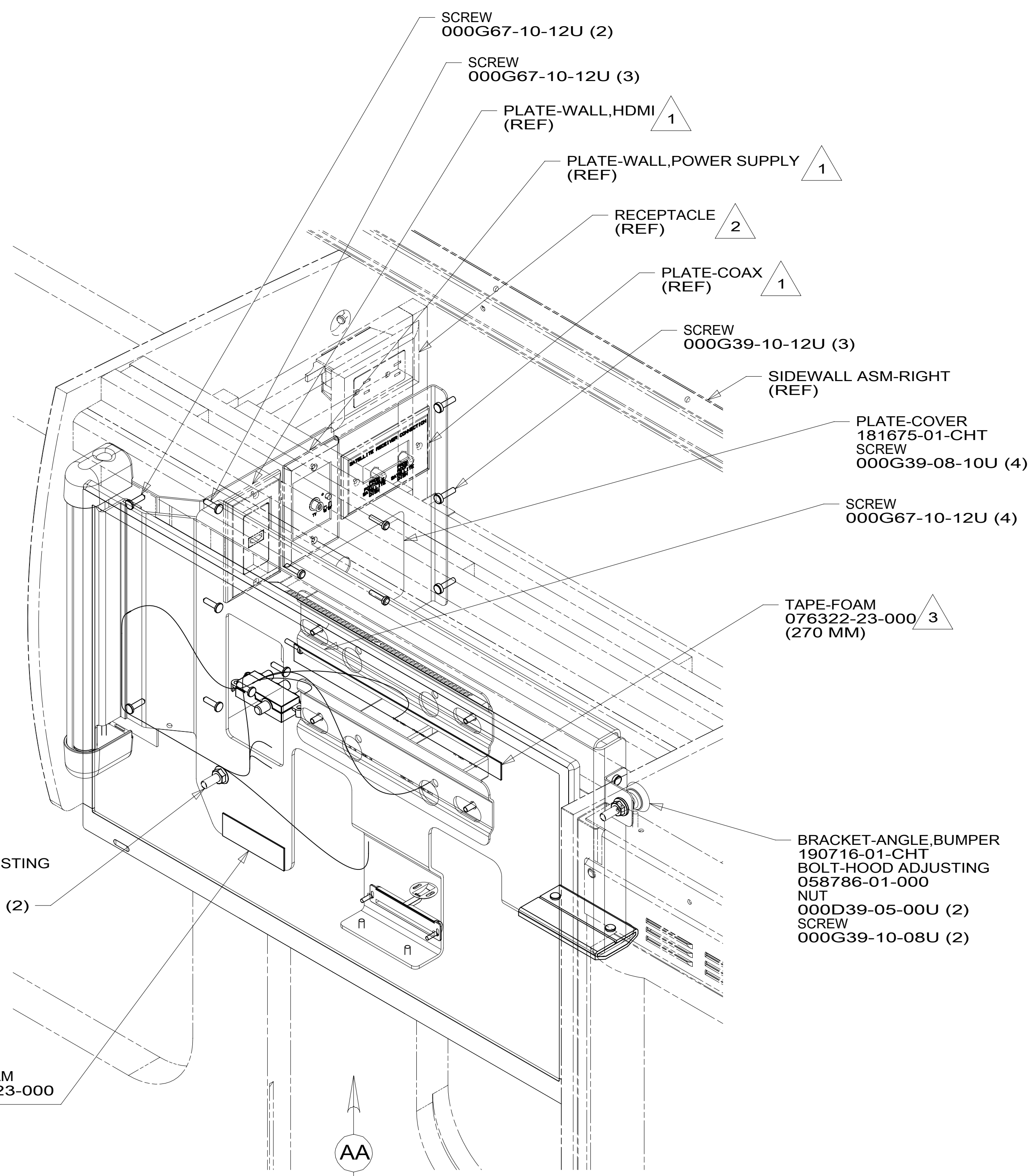


8 7 6 5 4 3 2 1

D
C
B
A



VIEW AA
 FOR ELECTRICAL TORQUE SPECIFICATIONS SEE DWG NO. 128783-01-000
 X-X FOR ELECTRICAL CALLOUTS SEE DWG NO. 121339-01-000

- NOTES:
 3 PREP BOTH SURFACES WITH ADHESIVE-PROMOTER, 087211-01-000.
 2 SEE WIRING INSTL-BODY,110V FOR ADDITIONAL INFORMATION.
 1 SEE WIRING INSTL-BODY,12V FOR ADDITIONAL INFORMATION.

- 265 CODES/STANDARDS-CSA/CMVSS
 1B1 CODES/STANDARDS USA
 1B1 265

WINNEBAGO
 COPYRIGHT 2016 WINNEBAGO INDUSTRIES, INC.

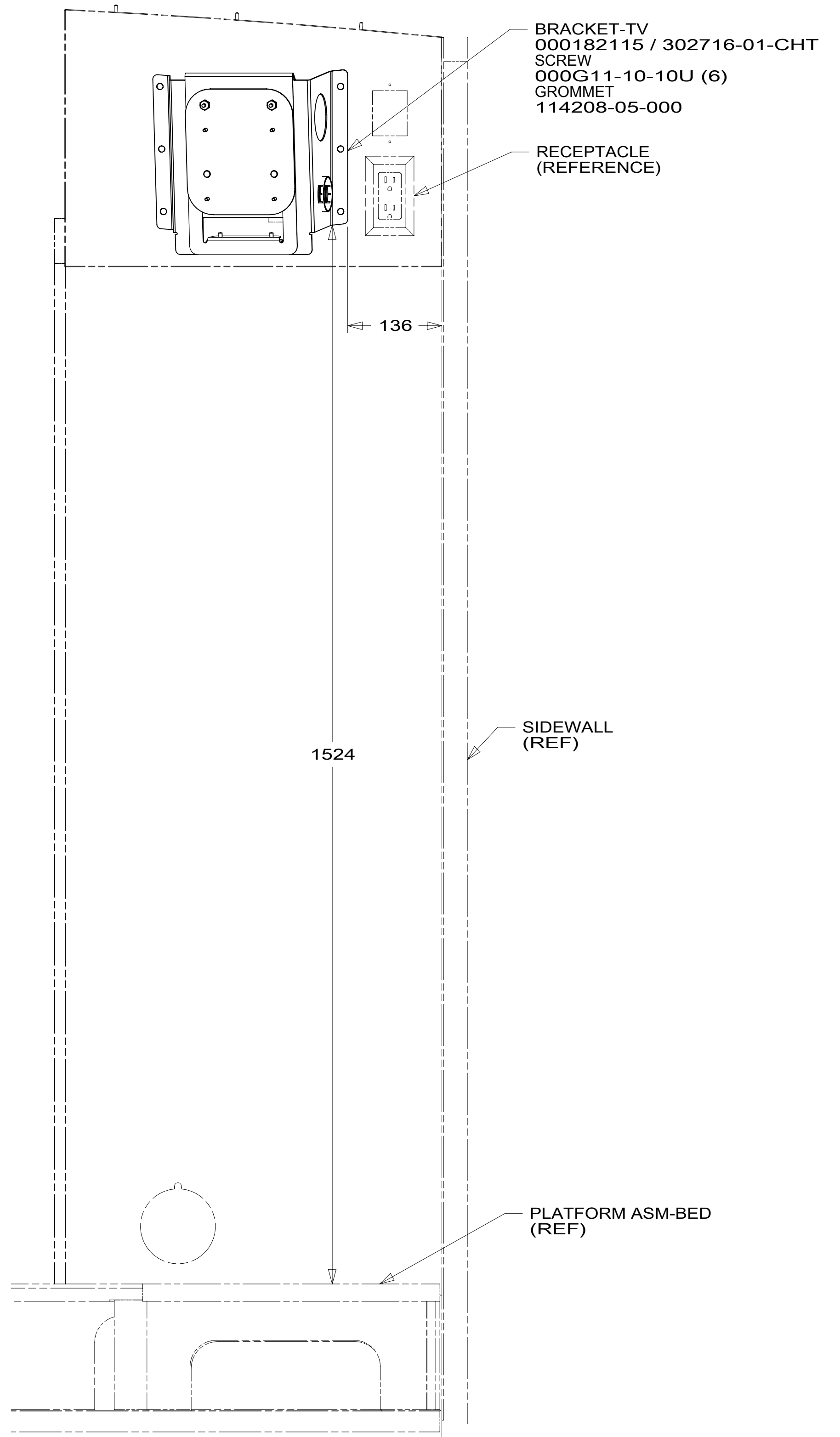
| | | |
|--|---------------------------------------|-------------|
| DSNR: | ALL DIMENSIONS ARE IN MILLIMETERS | |
| DFFR: | | |
| UNSPECIFIED TOLERANCES: | MATERIAL: | |
| WHOLE DIM (X) : 3 | | |
| ONE-PLACE (X.X) : 1.5 | | |
| TWO-PLACE (X.XX) : 0.50 | | |
| ANGLE : 1° | | |
| REFER TO ES0018 FOR FASTENER TIGHTENING GUIDELINES | WEIGHT: (LBS) | FIRST USED: |
| | | 17 524G |
| DESCRIPTION: WIRING INSTL-TV/DVD | | |
| SHEET: 1 OF 3 | ITEM/PART NO: 000182321 / 30231201000 | REV: |

8 7 6 5 4 3 2 1 15-Aug-2018

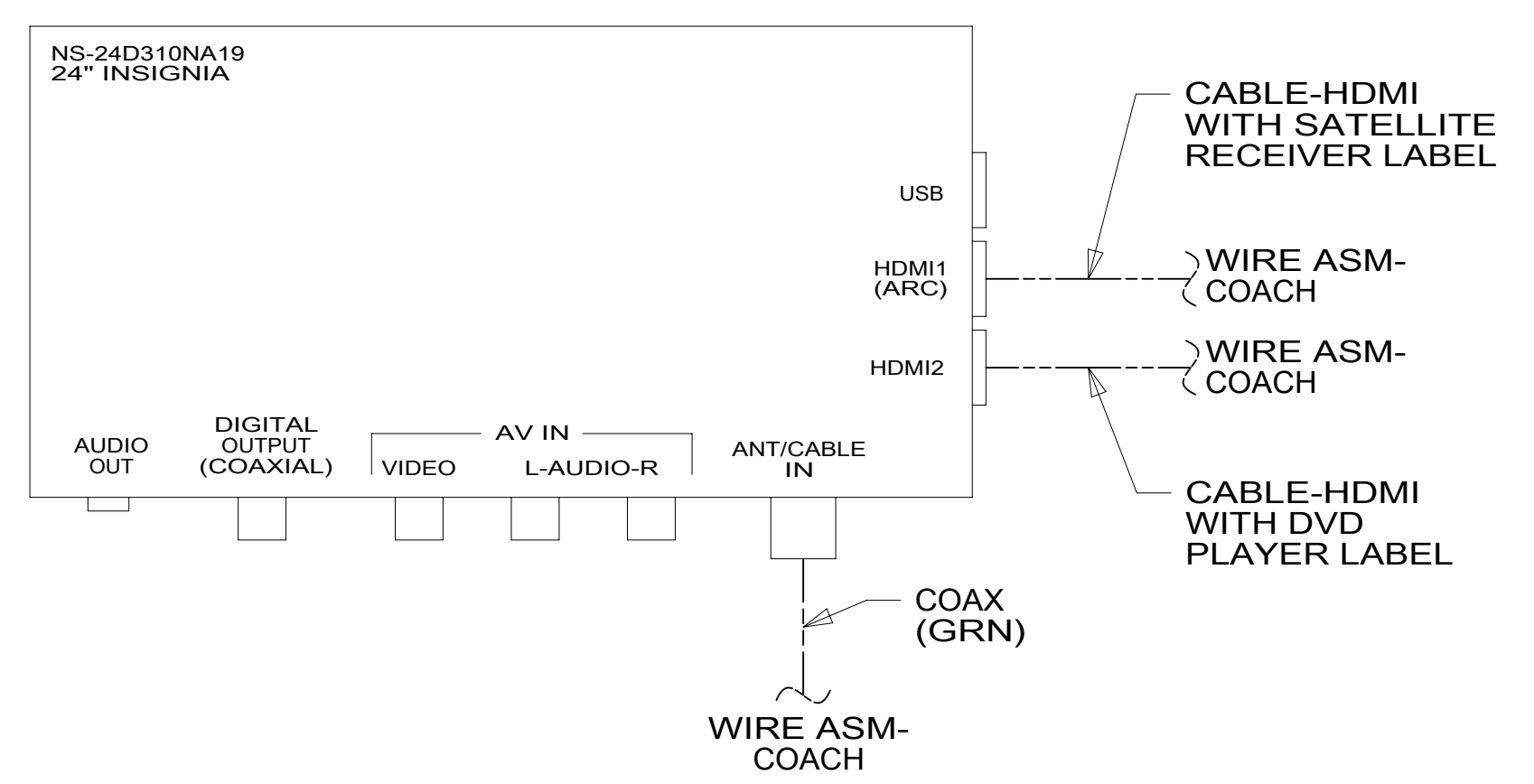
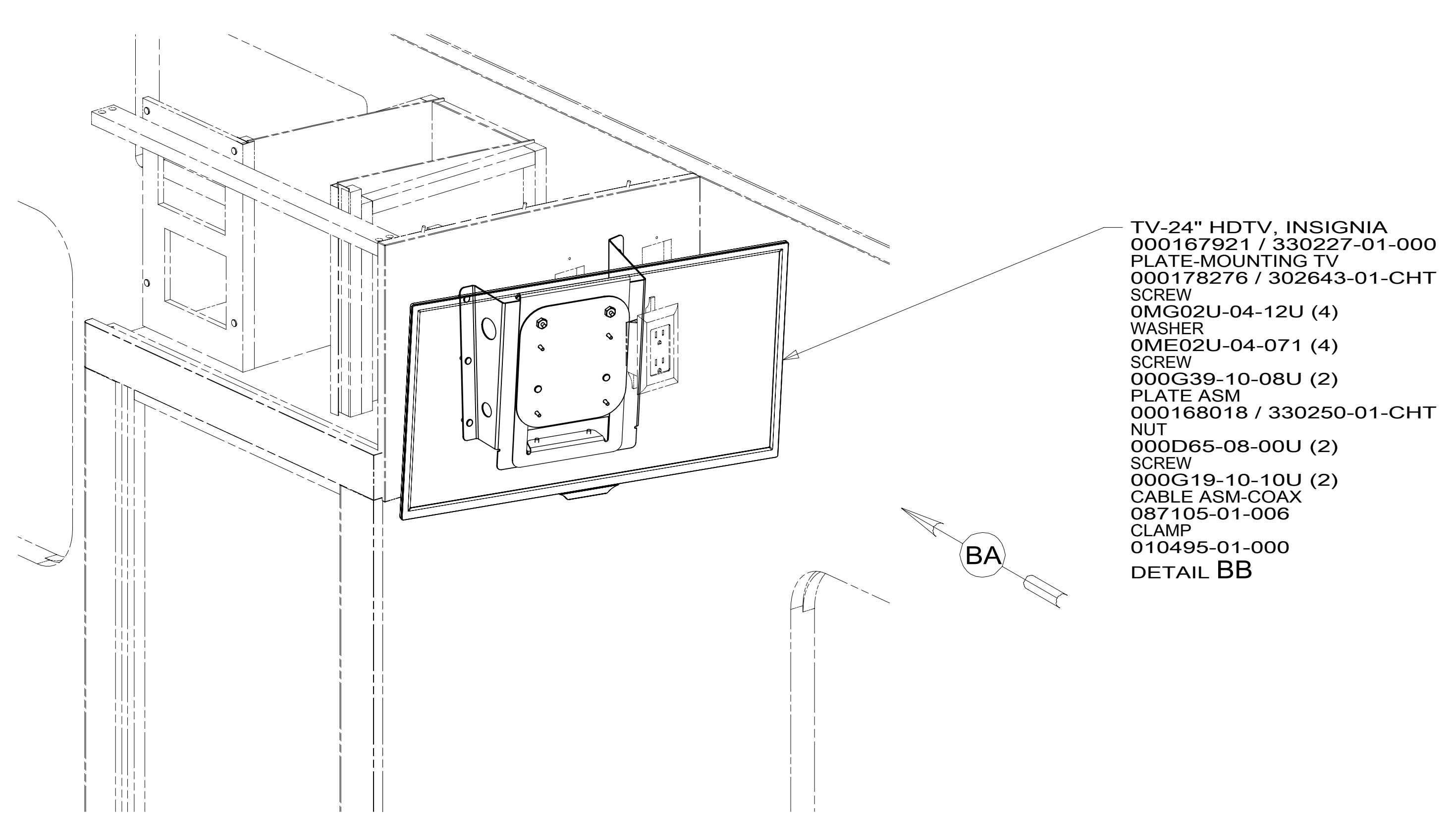
8 7 6 5 4 3 2 1

D
C
B
A

D
C
B
A



VIEW BA
(TV NOT SHOWN)



VIEW BB

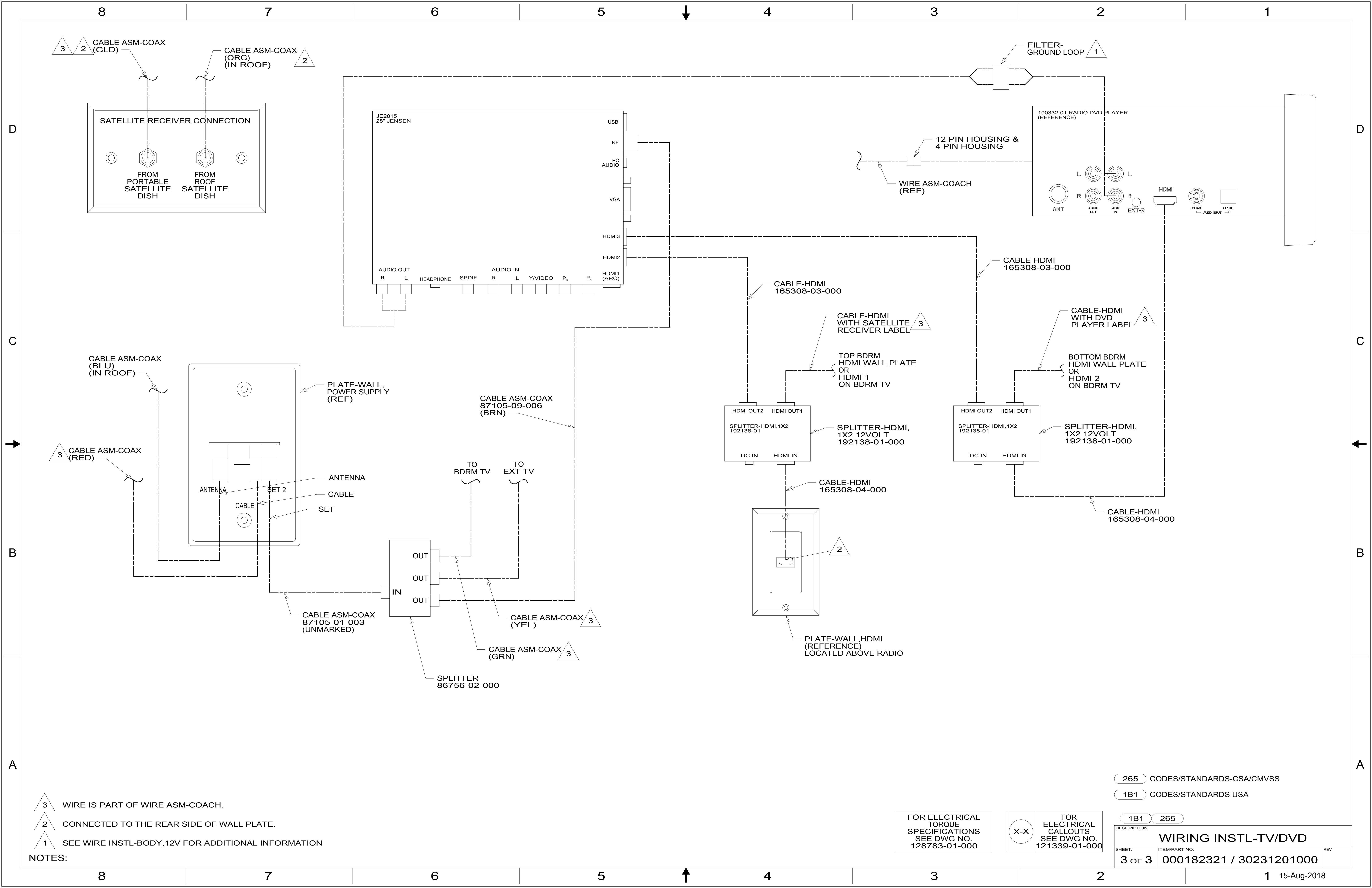
- 68X TV - BEDROOM
- 265 CODES/STANDARDS-CSA/CMVSS
- 1B1 CODES/STANDARDS USA

FOR ELECTRICAL TORQUE SPECIFICATIONS SEE DWG NO. 128783-01-000

X-X FOR ELECTRICAL CALLOUTS SEE DWG NO. 121339-01-000

| | | |
|----------------------------|-------------------------|-----|
| DESCRIPTION: | 1B1 265 68X | |
| WIRING INSTL-TV/DVD | | |
| SHEET: | ITEM/PART NO: | REV |
| 2 OF 3 | 000182321 / 30231201000 | |

8 7 6 5 4 3 2 1 15-Aug-2018



- NOTES:
- 3 WIRE IS PART OF WIRE ASM-COACH.
 - 2 CONNECTED TO THE REAR SIDE OF WALL PLATE.
 - 1 SEE WIRE INSTL-BODY, 12V FOR ADDITIONAL INFORMATION

FOR ELECTRICAL TORQUE SPECIFICATIONS SEE DWG NO. 128783-01-000

FOR ELECTRICAL CALLOUTS SEE DWG NO. 121339-01-000

265 CODES/STANDARDS-CSA/CMVSS
 1B1 CODES/STANDARDS USA

| | |
|--|---|
| DESCRIPTION: WIRING INSTL-TV/DVD | |
| SHEET: 3 OF 3 | ITEM/PART NO: 000182321 / 30231201000 |
| REV 1 15-Aug-2018 | |