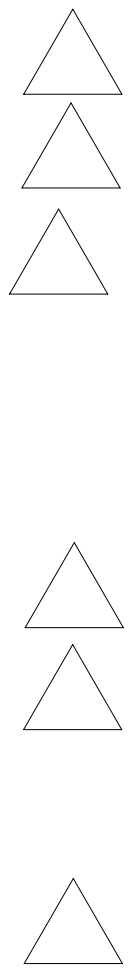


13. WHEN INSTALLING TOILET, SCRAP THE SUPPLIED LAGGING BOLTS FOR PLASTIC BRACKET TO FLOOR ONLY. USE SCREW 000G11-08-06U (2) TO LOCATE AND FASTEN STEEL BRACKET TO FLOOR. THEN FASTEN DOWN PLASTIC BRACKETS TO FLOOR USING SCREW 000G42-04-24U (2) AND SUPPLIED PLASTIC ANCHORS. PLACE TOILET OVER THE BRACKETS AND FASTEN USING SUPPLIED HARDWARE AND THEN USE WHITE CAPS TO COVER SCREWS.

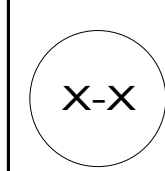


- 21S WASHER & DRYER-PAIR
- 21M WASHER/DRYER PREP
- 1B1 CODES/STANDARDS USA
- 265 CODES/STANDARDS-CSA/CMVSS



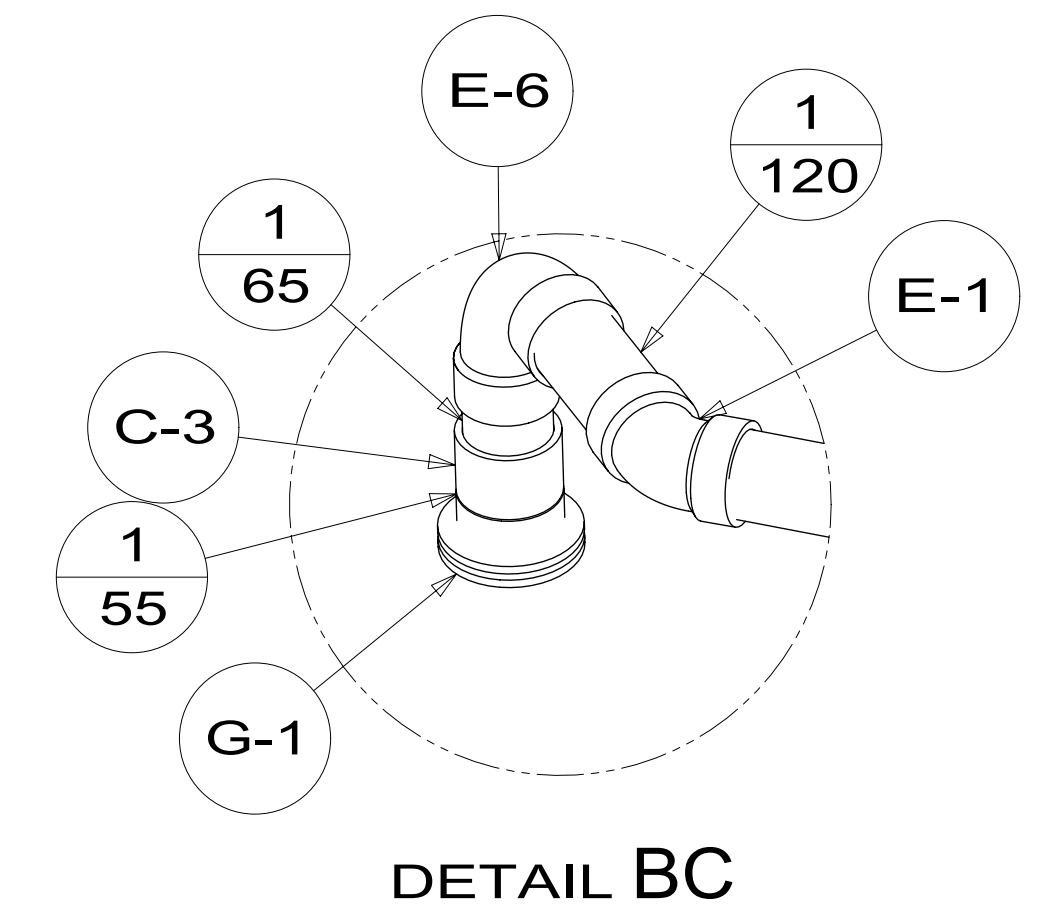
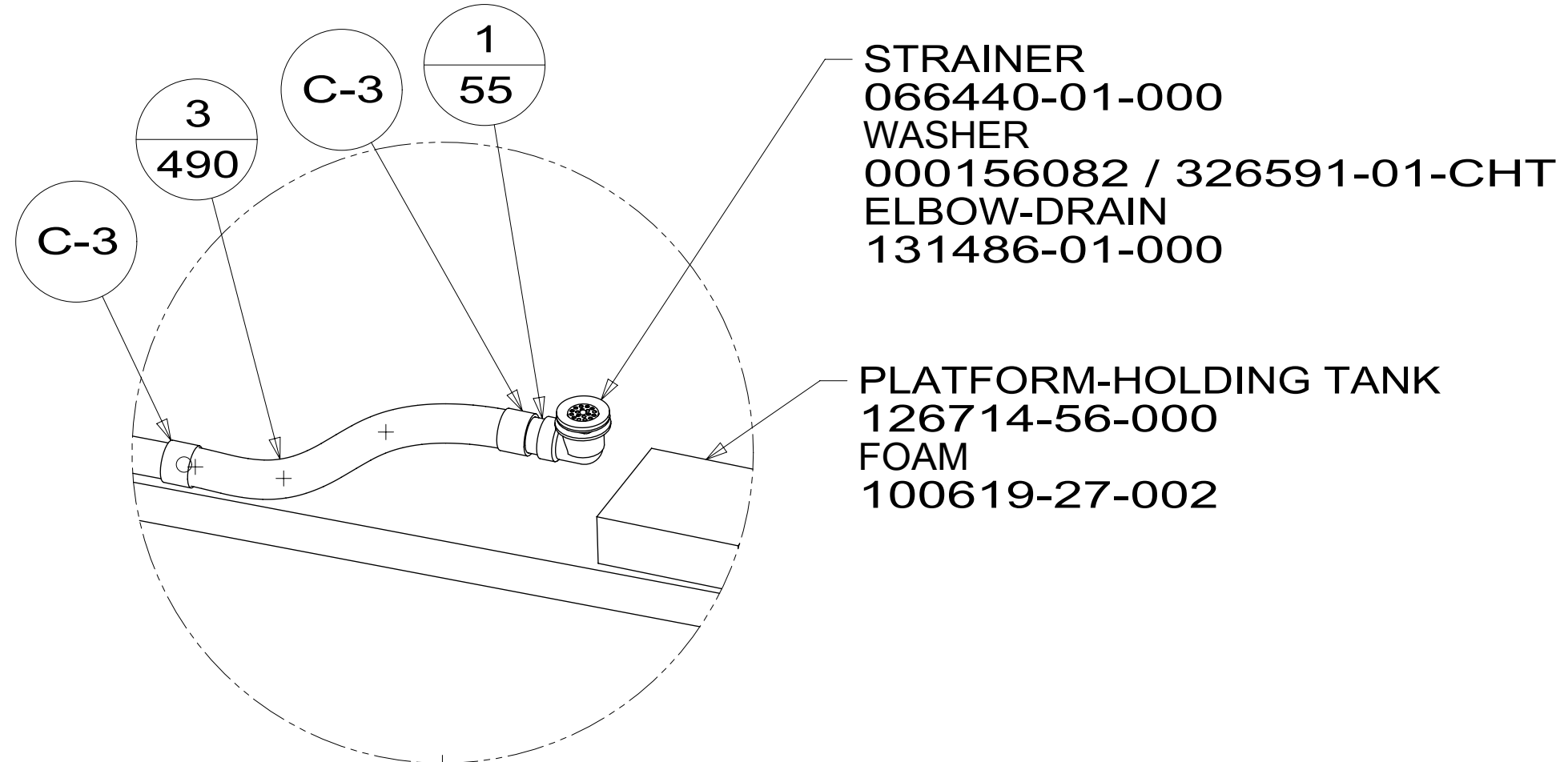
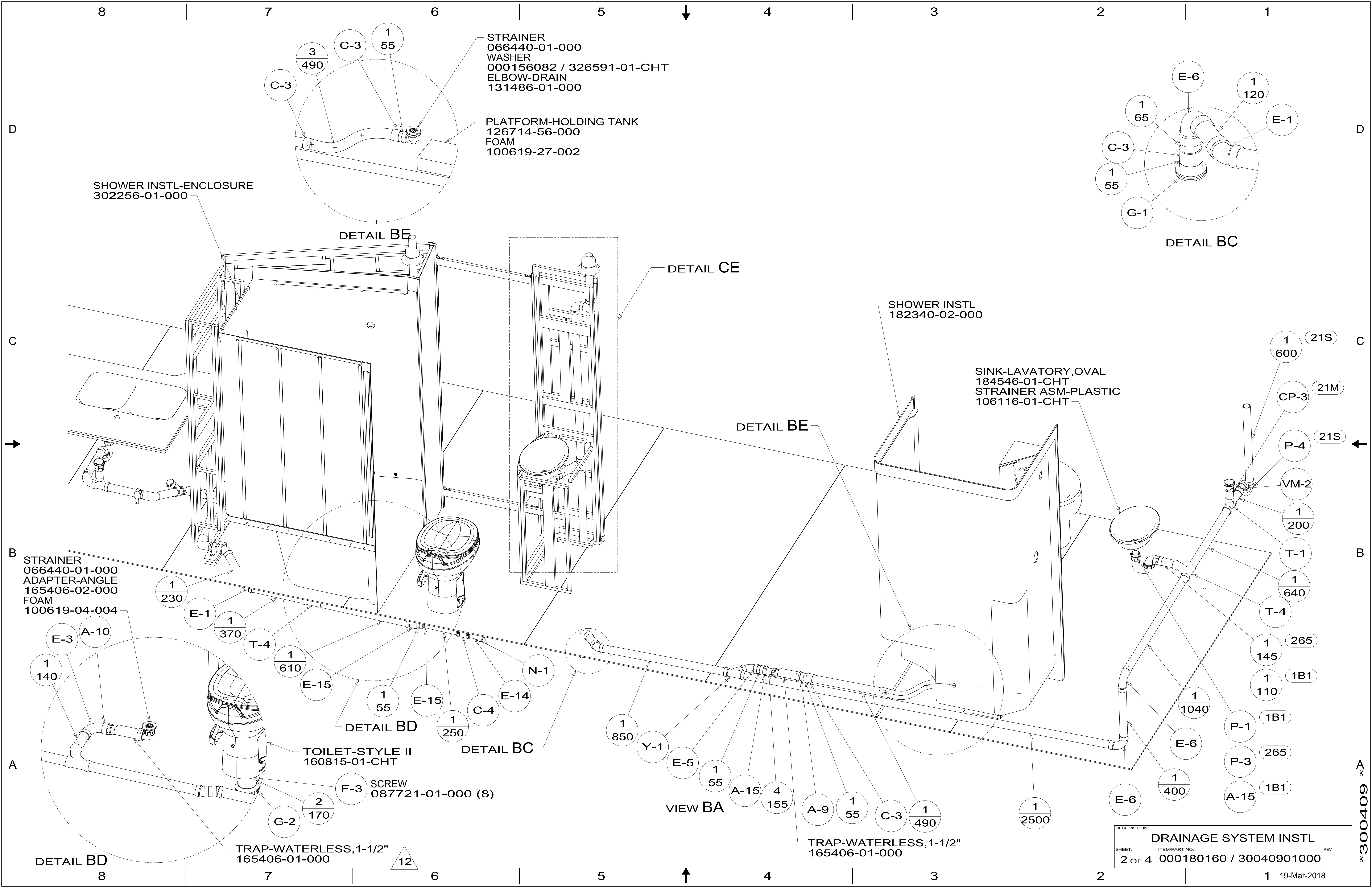
DSNR:		ALL DIMENSIONS ARE IN MILLIMETERS		
DFTR:				
UNSPECIFIED TOLERANCES:		MATERIAL:		
WHOLE DIM (X)	3			
ONE-PLACE (X.X)	1.5			
TWO-PLACE (X.XX)	0.50			
ANGLE	1°			
REFER TO ES0018 FOR FASTENER TIGHTENING GUIDELINES		WEIGHT: (LBS)	FIRST USED: (REF)	
			17 L38W	
DESCRIPTION: DRAINAGE SYSTEM INSTL				
SHEET:	ITEM/PART NO:	REV:		
1 OF 4	000180160 / 30040901000			
REF:		1 19-Mar-2018		

FOR DRAINAGE CALLOUTS SEE DWG NO. 000211962 / 303370-01-000

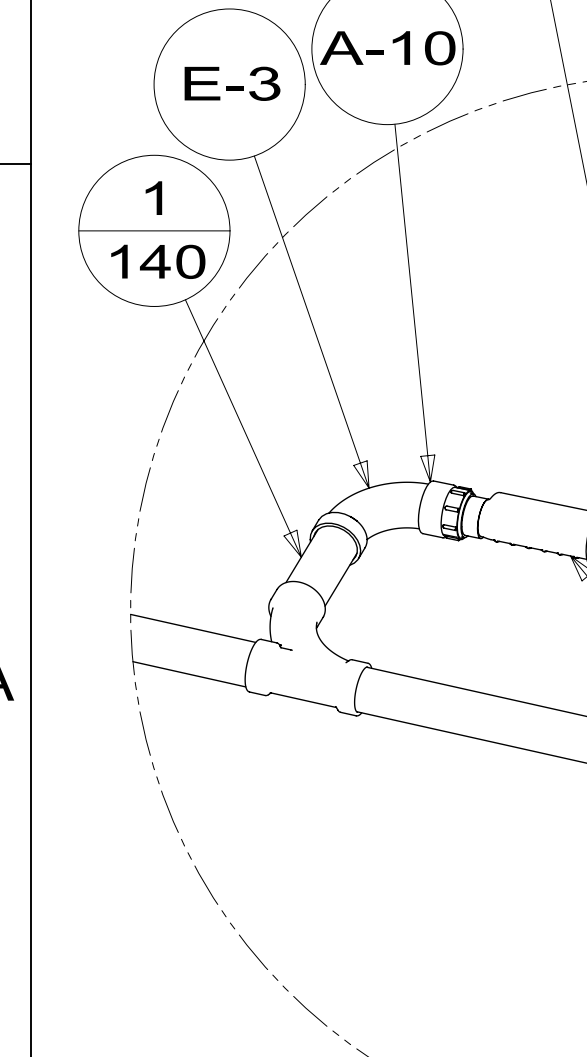


NOTES:

\*300409\*



- STRAINER 066440-01-000
- ADAPTER-ANGLE 165406-02-000
- FOAM 100619-04-004

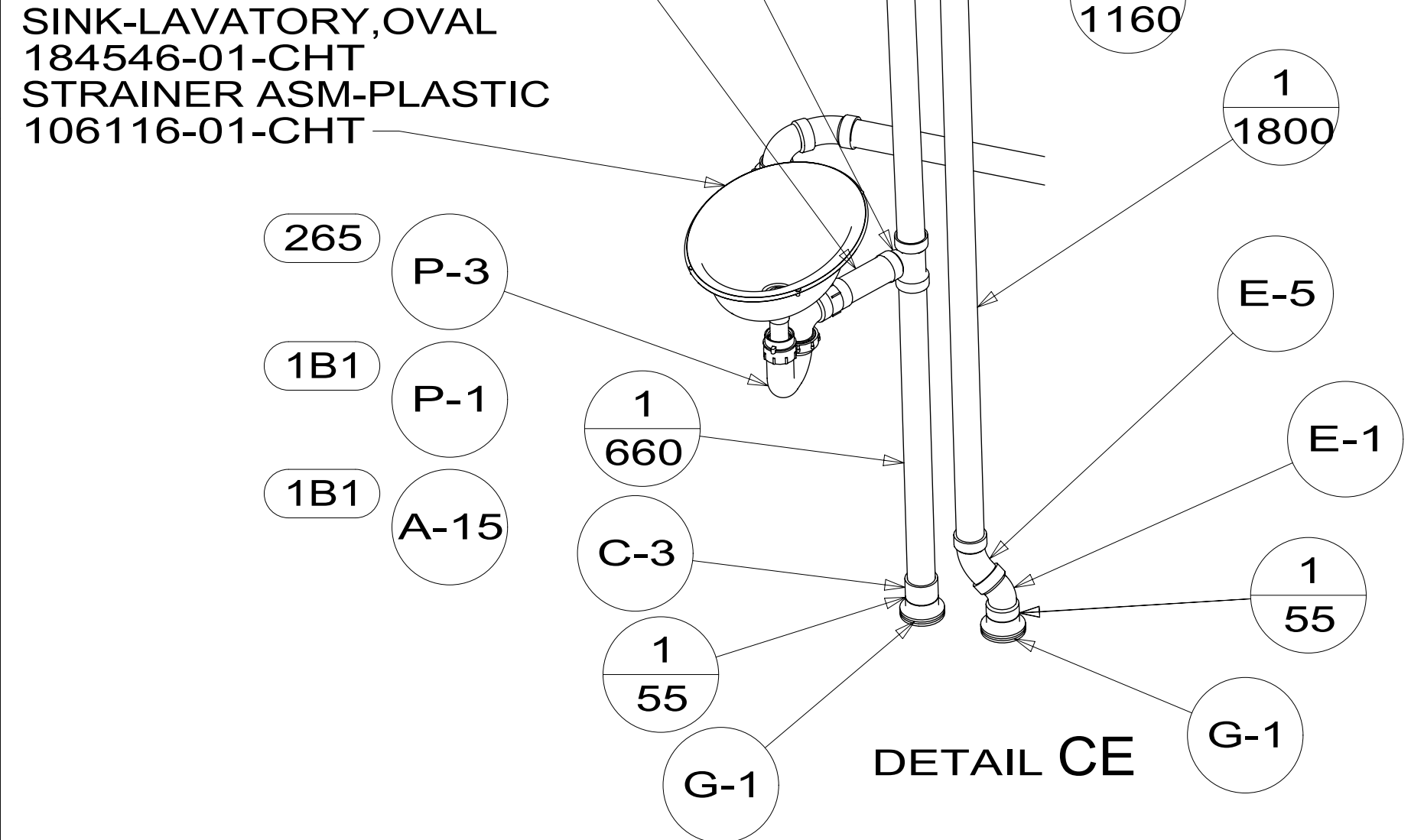


- 1/600 (21S)
- 21M
- CP-3
- 21S
- P-4
- VM-2
- 1/200
- T-1
- 1/640
- T-4
- 1/265
- 1/145
- 1/110 (1B1)
- 1/1040
- E-6
- 1/400
- P-1 (1B1)
- P-3 (265)
- A-15 (1B1)

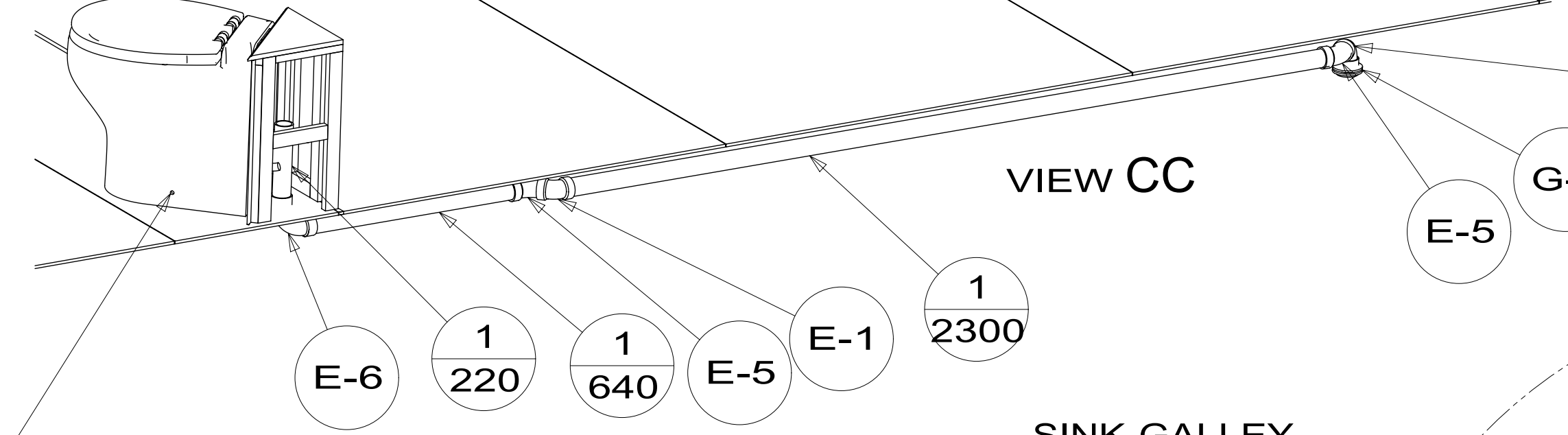
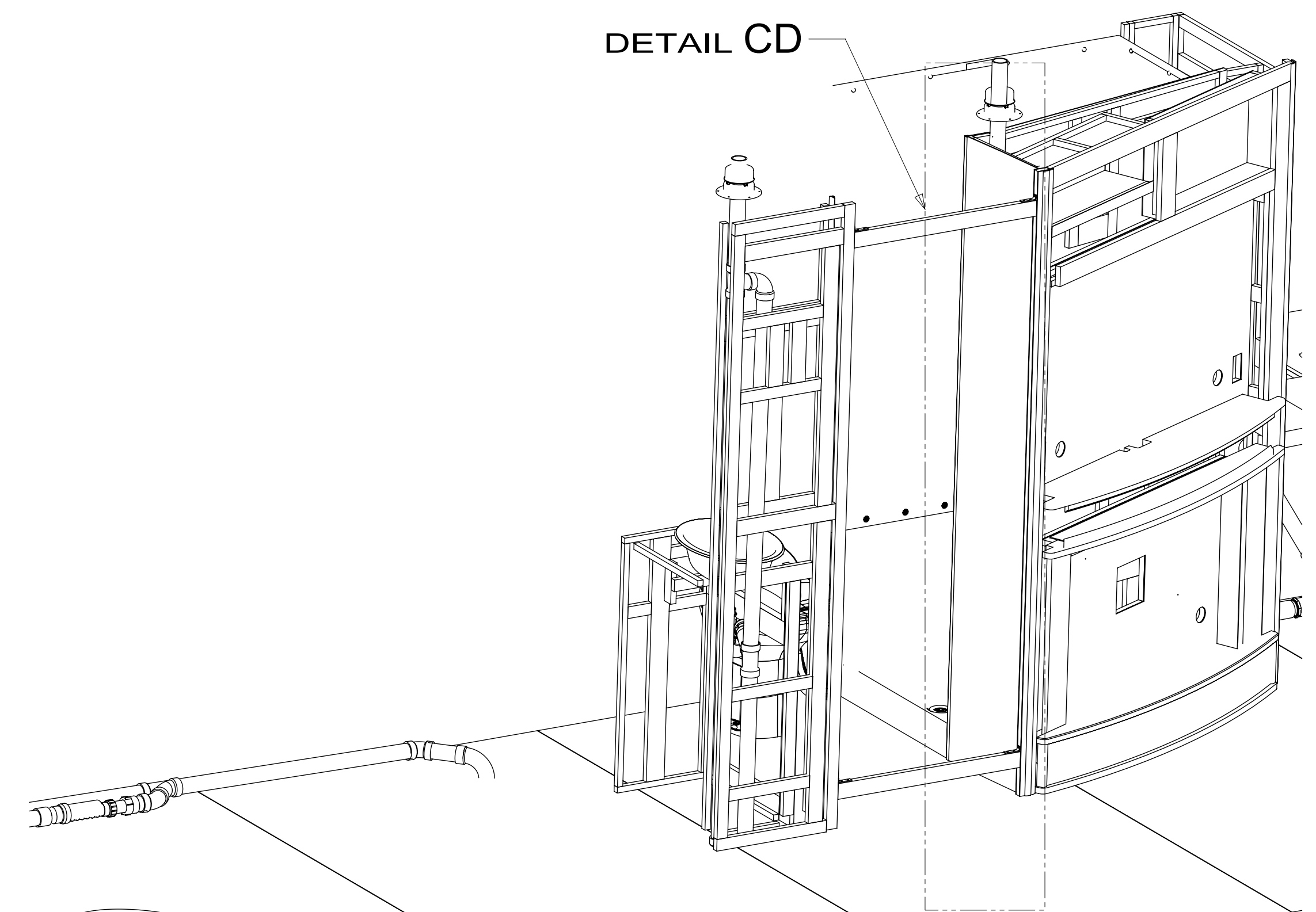
DESCRIPTION:		
DRAINAGE SYSTEM INSTL		
SHEET:	ITEM/PART NO.:	REV
2 OF 4	000180160 / 30040901000	
		19-Mar-2018

\*300409 A\*

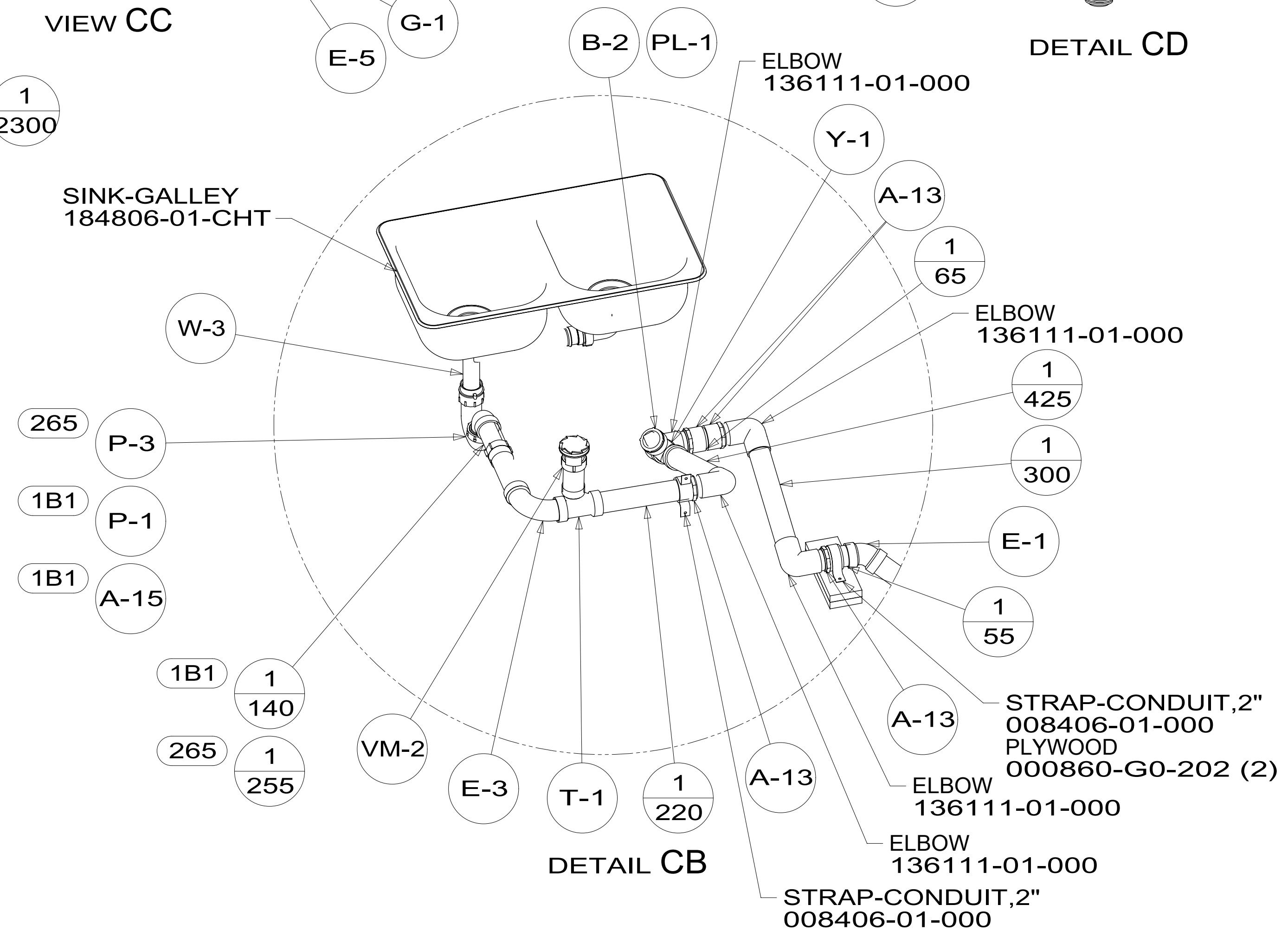
SINK-LAVATORY, OVAL  
184546-01-CHT  
STRAINER ASM-PLASTIC  
106116-01-CHT



13  
TOILET KIT-TECMA, MACERATOR  
000157148 / 326919-01-CHT  
BRACKET-TOILET  
000157535 / 327029-01-CHT

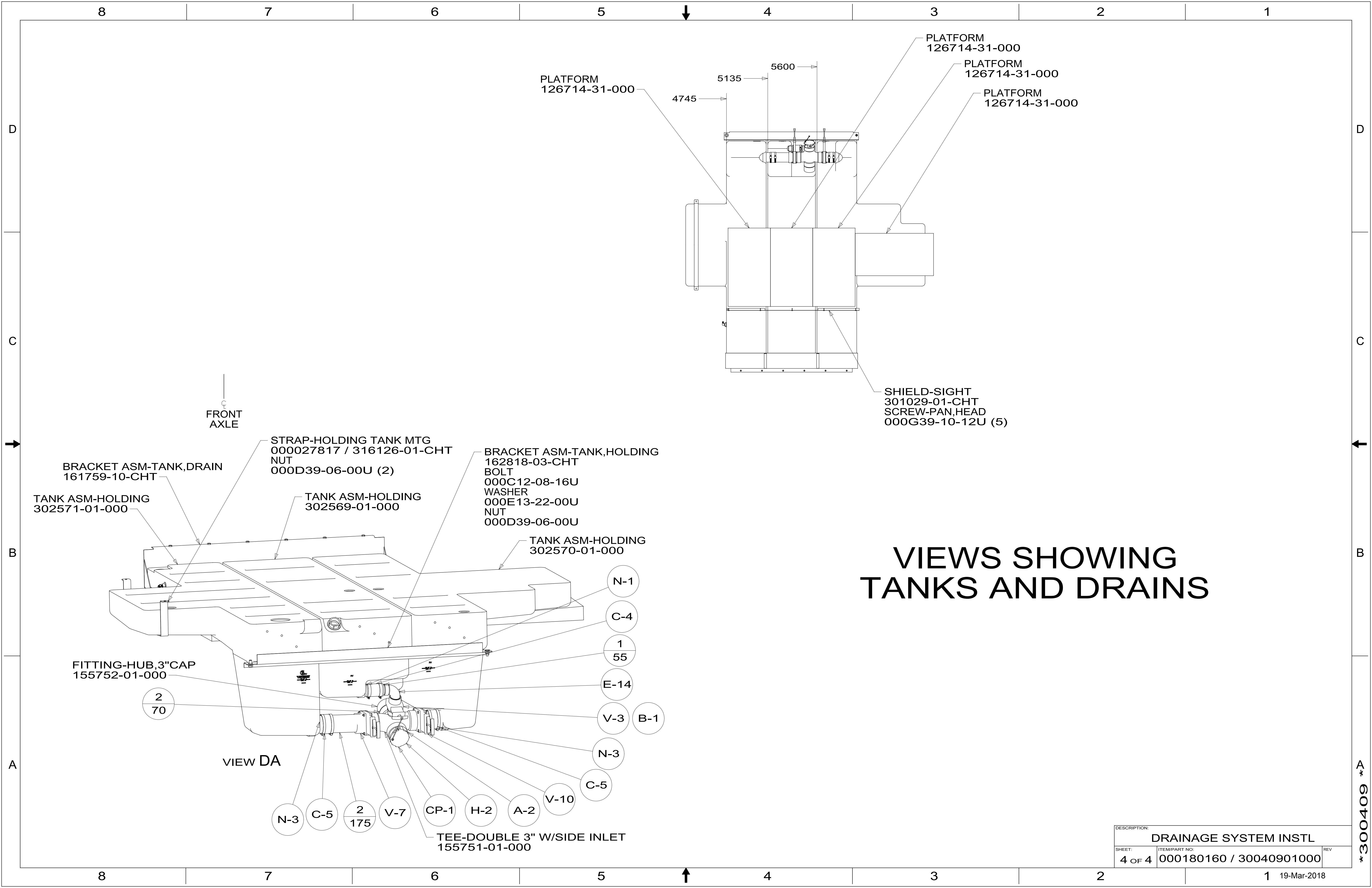


SINK-GALLEY  
184806-01-CHT



DESCRIPTION:		
<b>DRAINAGE SYSTEM INSTL</b>		
SHEET:	ITEM/PART NO.:	REV
3 OF 4	000180160 / 30040901000	

\*300409 A\*



PLATFORM  
126714-31-000

PLATFORM  
126714-31-000

PLATFORM  
126714-31-000

PLATFORM  
126714-31-000

SHIELD-SIGHT  
301029-01-CHT  
SCREW-PAN,HEAD  
000G39-10-12U (5)

FRONT  
AXLE

STRAP-HOLDING TANK MTG  
00027817 / 316126-01-CHT  
NUT  
000D39-06-00U (2)

BRACKET ASM-TANK,HOLDING  
162818-03-CHT  
BOLT  
000C12-08-16U  
WASHER  
000E13-22-00U  
NUT  
000D39-06-00U

BRACKET ASM-TANK,DRAIN  
161759-10-CHT

TANK ASM-HOLDING  
302571-01-000

TANK ASM-HOLDING  
302569-01-000

TANK ASM-HOLDING  
302570-01-000

FITTING-HUB,3"CAP  
155752-01-000

VIEW DA

TEE-DOUBLE 3" W/SIDE INLET  
155751-01-000

# VIEWS SHOWING TANKS AND DRAINS

DESCRIPTION: DRAINAGE SYSTEM INSTL		
SHEET: 4 OF 4	ITEM/PART NO: 000180160 / 30040901000	REV

\*300409\*