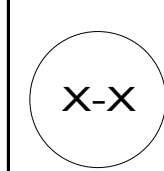
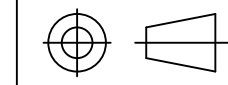
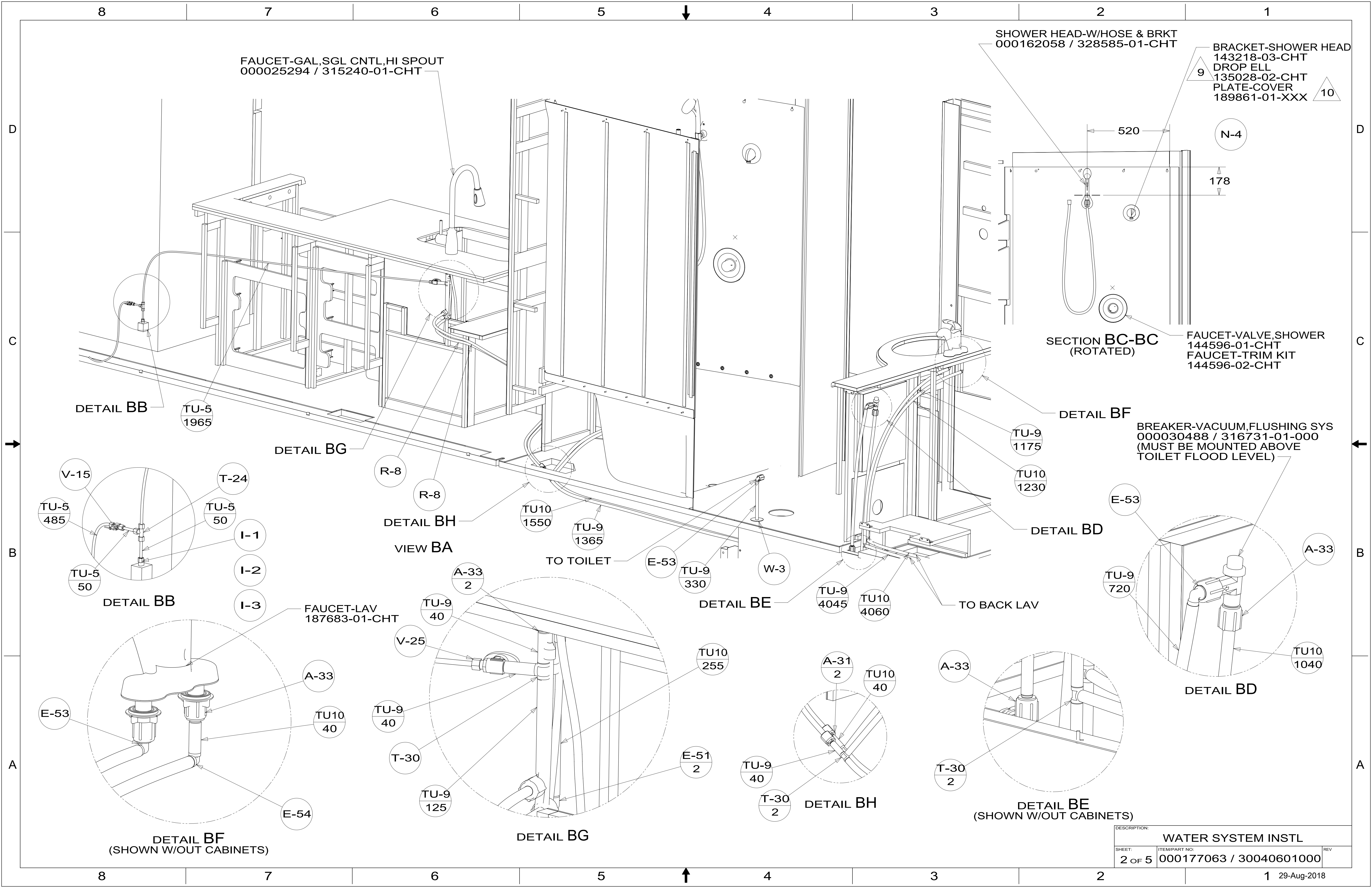
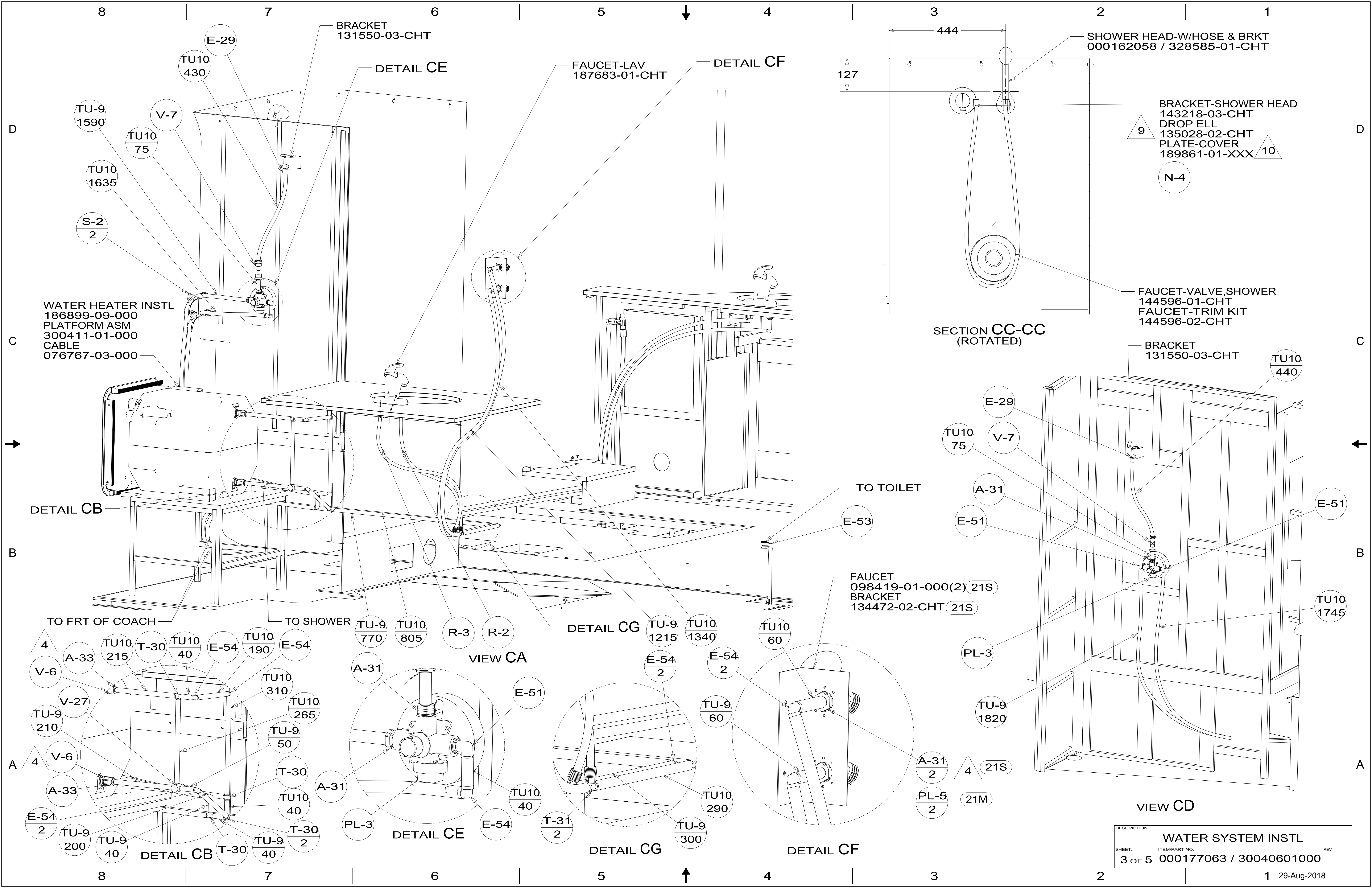


- 21M WASHER/DRYER PREP
- 21S WASHER & DRYER-PAIR


  
**FOR WATER CALLOUTS  
 SEE DWG NO.  
 000209446 /  
 303369-01-000**

<b>WINNEBAGO<sup>®</sup></b>		COPYRIGHT 2018 WINNEBAGO INDUSTRIES, INC.	
DSNR:		ALL DIMENSIONS ARE IN MILLIMETERS	
DFTR:		MATERIAL:	
UNSPECIFIED TOLERANCES:			
WHOLE DIM (X)	3		
ONE-PLACE (X.X)	1.5		
TWO-PLACE (X.XX)	0.50		
ANGLE	1°		
REFER TO ES0018 FOR FASTENER TIGHTENING GUIDELINES	WEIGHT: (LBS)	FIRST USED: (REF)	
		<b>17 L38W</b>	
<b>DESCRIPTION:</b>			
<b>WATER SYSTEM INSTL</b>			
SHEET:	ITEM/PART NO:	REV	
<b>1 OF 5</b>	<b>000177063 / 30040601000</b>		
REF:			
		<b>1 29-Aug-2018</b>	





BRACKET  
131550-03-CHT

DETAIL CE

FAUCET-LAV  
187683-01-CHT

DETAIL CF

SECTION CC-CC  
(ROTATED)

SHOWER HEAD-W/HOSE & BRKT  
000162058 / 328585-01-CHT

BRACKET-SHOWER HEAD  
143218-03-CHT  
DROP ELL  
135028-02-CHT  
PLATE-COVER  
189861-01-XXX

WATER HEATER INSTL  
186899-09-000  
PLATFORM ASM  
300411-01-000  
CABLE  
076767-03-000

DETAIL CB

TO TOILET

TO FRT OF COACH

TO SHOWER

DETAIL CG

FAUCET  
098419-01-000(2) 21S  
BRACKET  
134472-02-CHT 21S

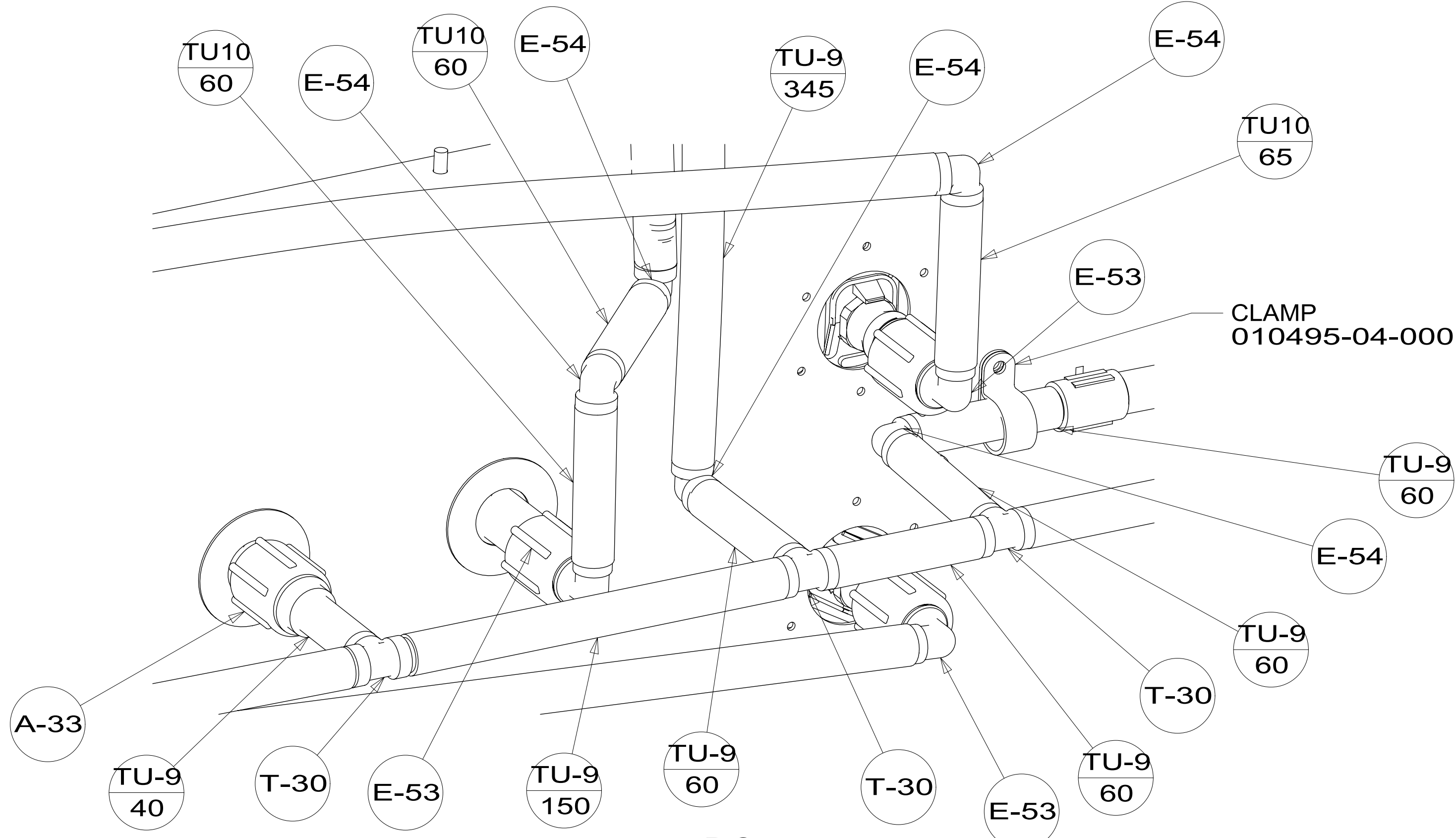
VIEW CD

DETAIL CE

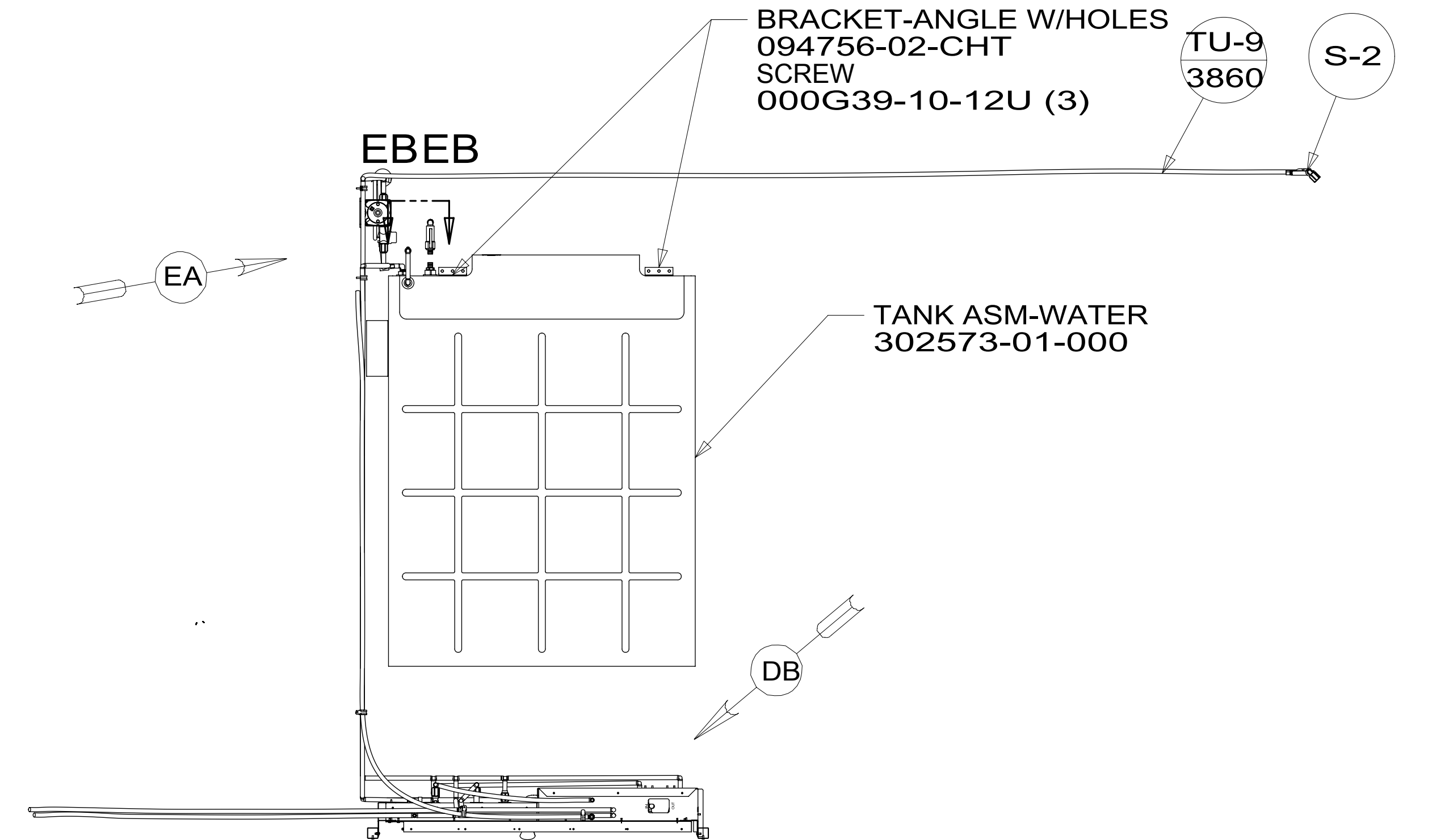
DETAIL CG

DETAIL CF

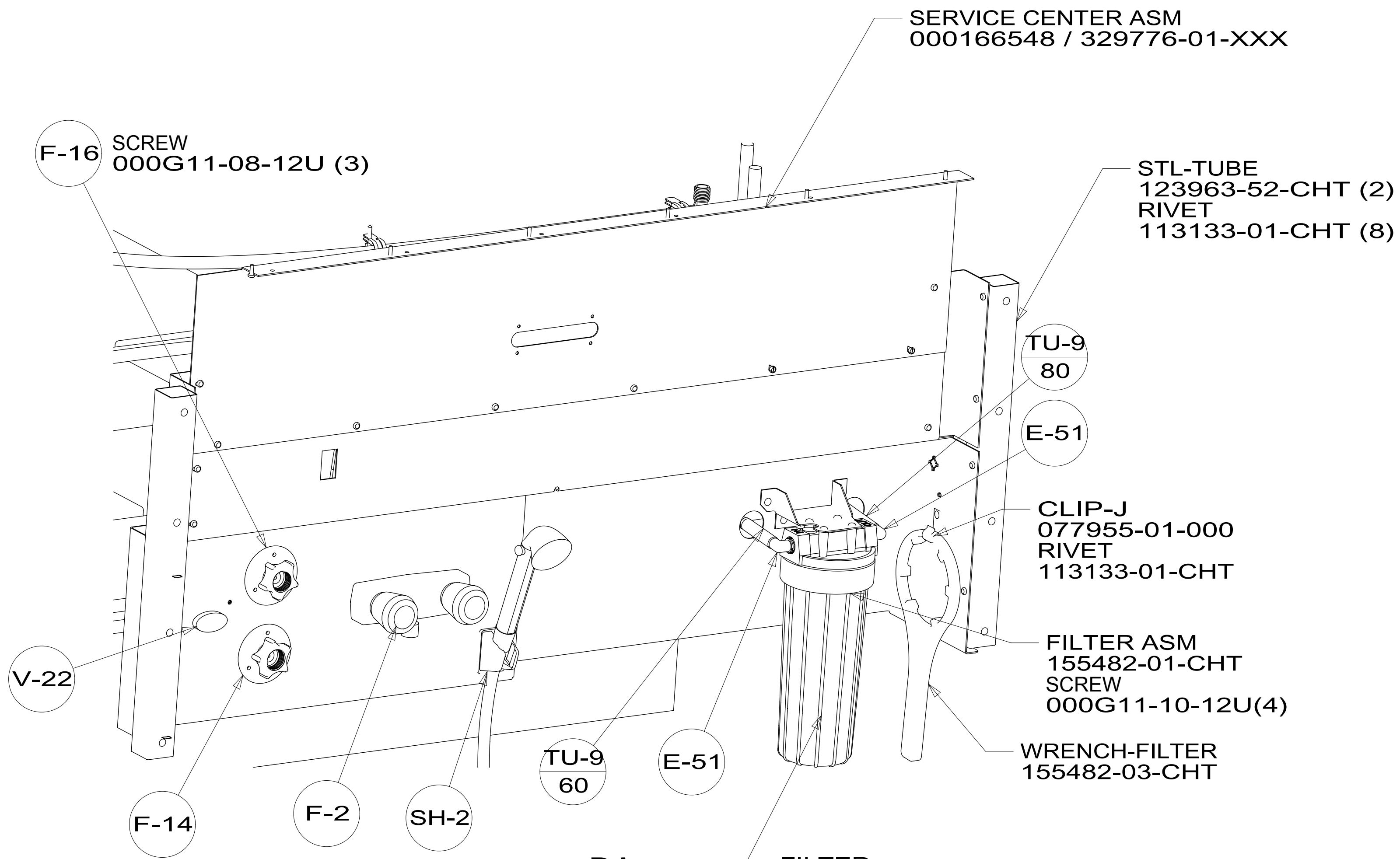
DESCRIPTION: WATER SYSTEM INSTL		
SHEET: 3 OF 5	ITEM/PART NO: 000177063 / 30040601000	REV



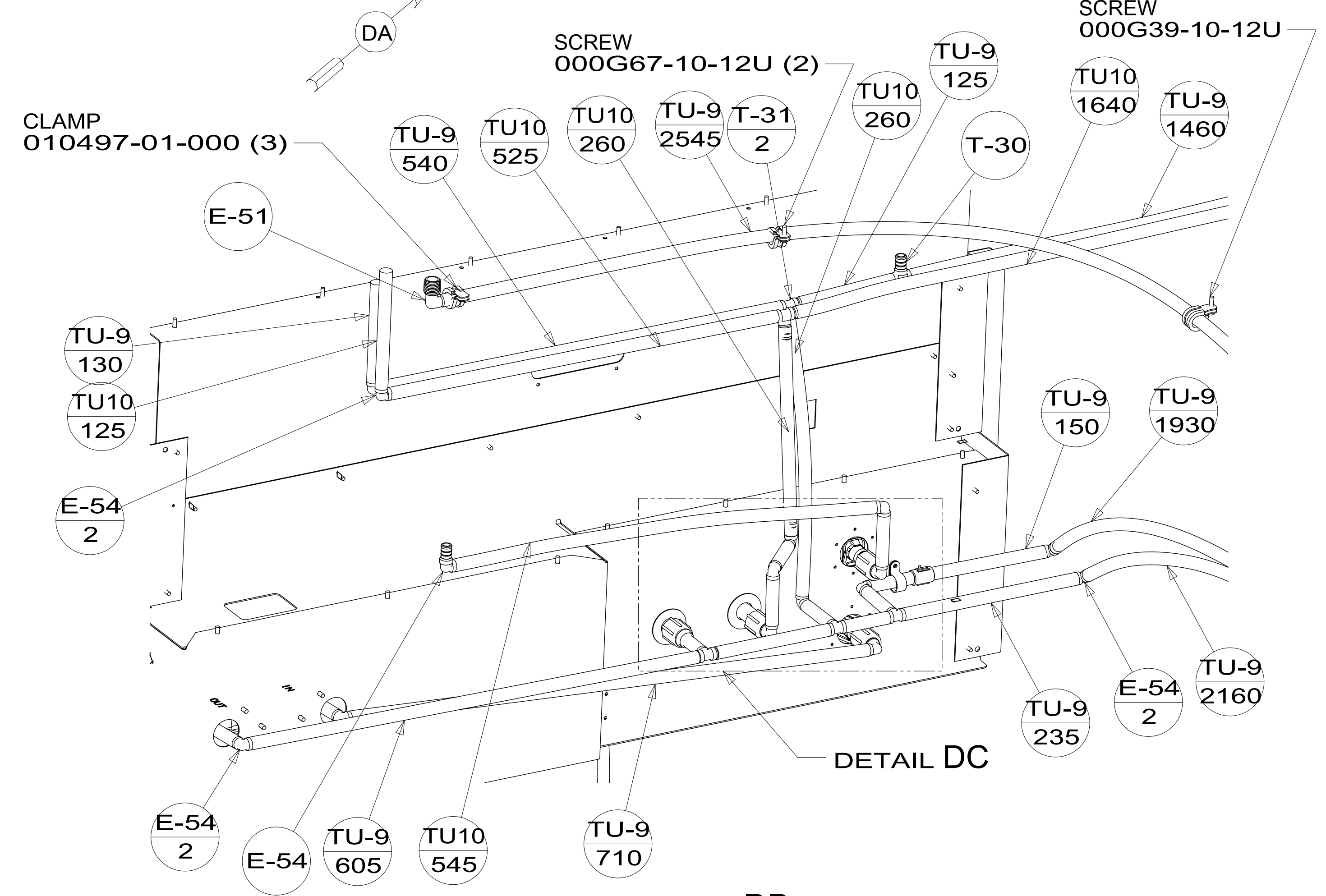
DETAIL DC



TOP VIEW SHOWING LINE UNDER FLOOR

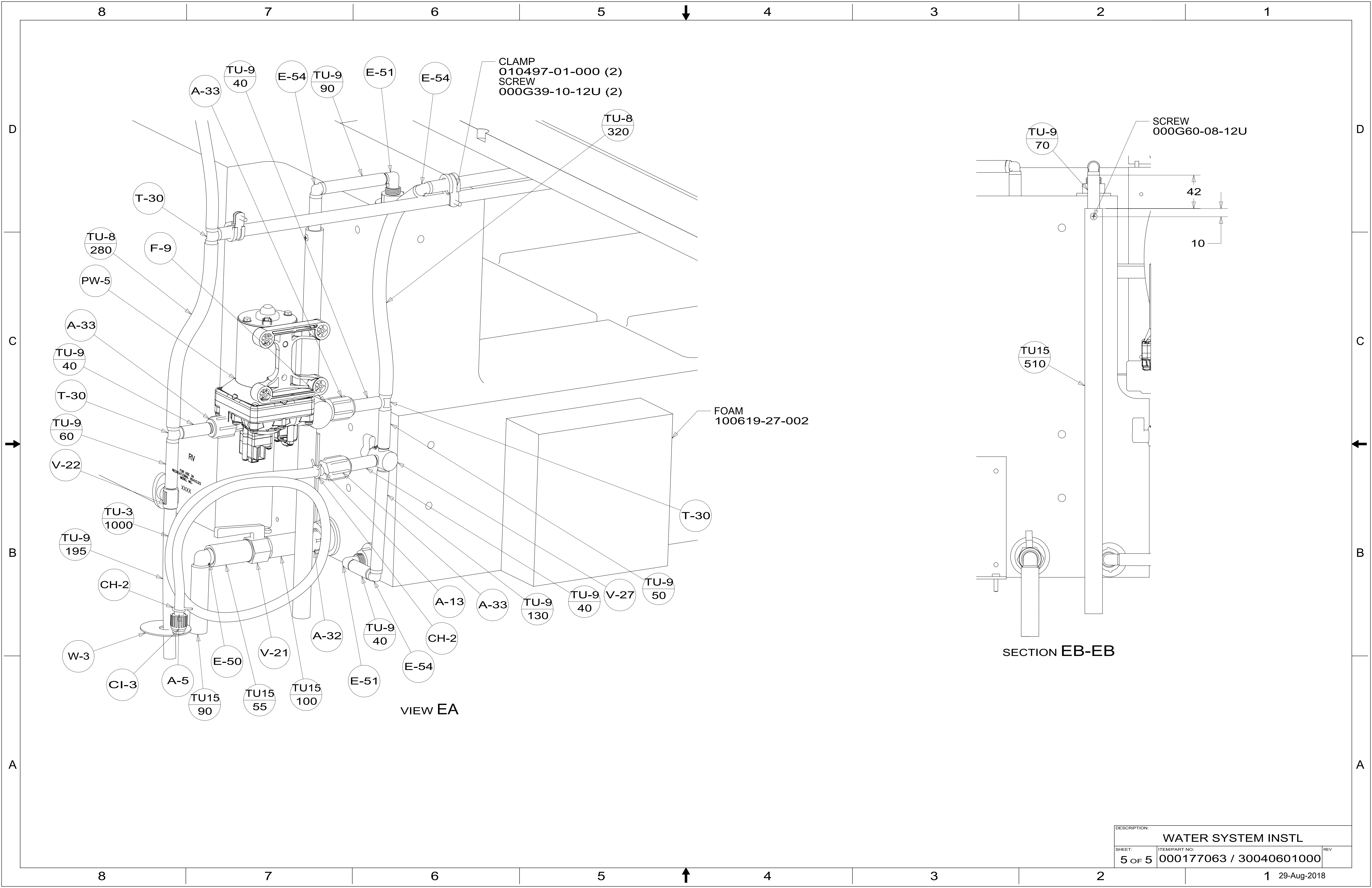


VIEW DA



VIEW DB

DESCRIPTION:		
WATER SYSTEM INSTL		
SHEET:	ITEM/PART NO.:	REV
4 OF 5	000177063 / 30040601000	



CLAMP  
010497-01-000 (2)  
SCREW  
000G39-10-12U (2)

SCREW  
000G60-08-12U

FOAM  
100619-27-002

SECTION EB-EB

VIEW EA

DESCRIPTION:		
WATER SYSTEM INSTL		
SHEET:	ITEM/PART NO.:	REV
5 OF 5	000177063 / 30040601000	