

2 WITH SATELLITE DISH SEE SATELLITE DISH VIEW SHT 2 BOTTOM LEFT.

1 COLOR INDICATES IDENTIFICATION TAPE.

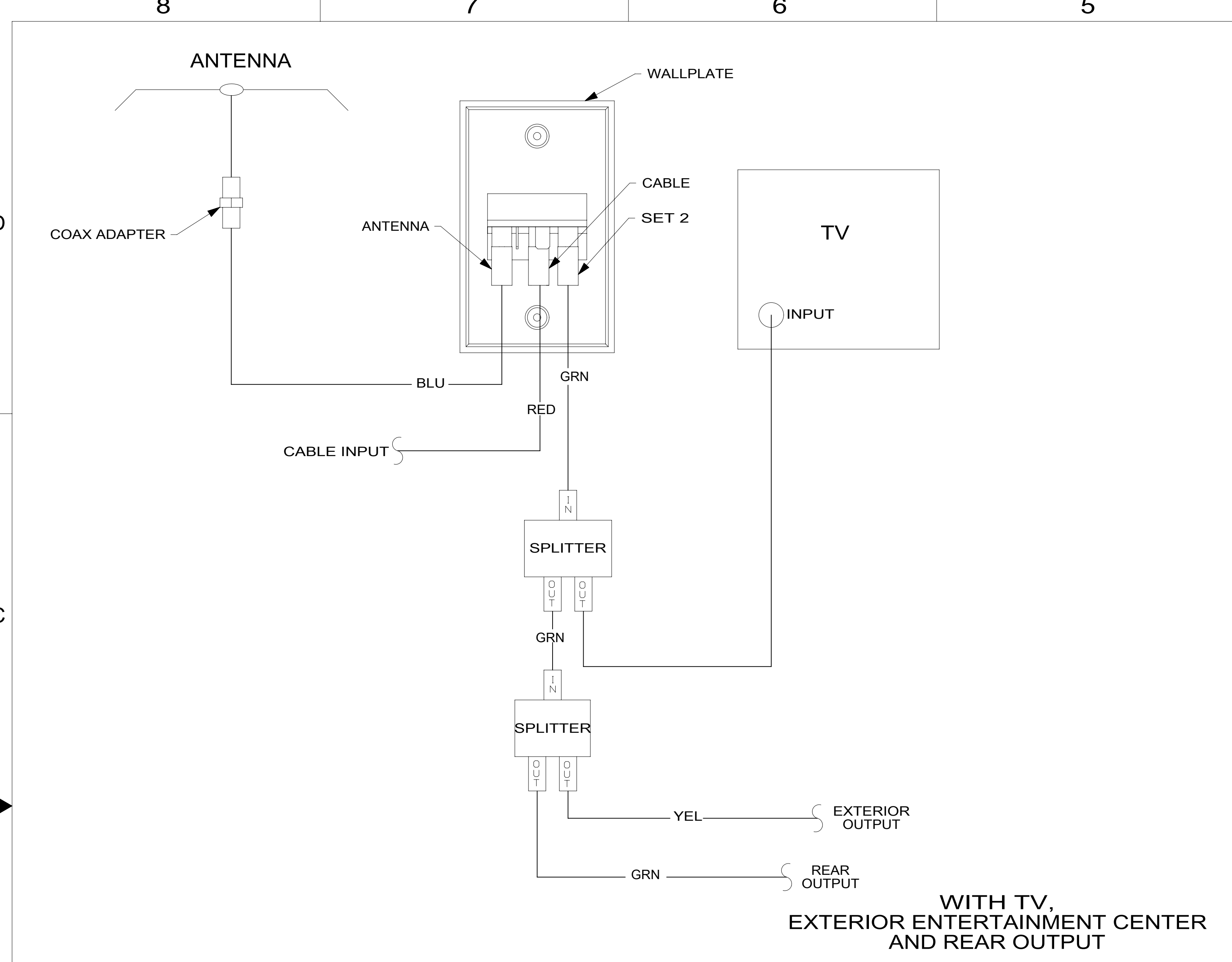
NOTES:

WINNEBAGO[®]

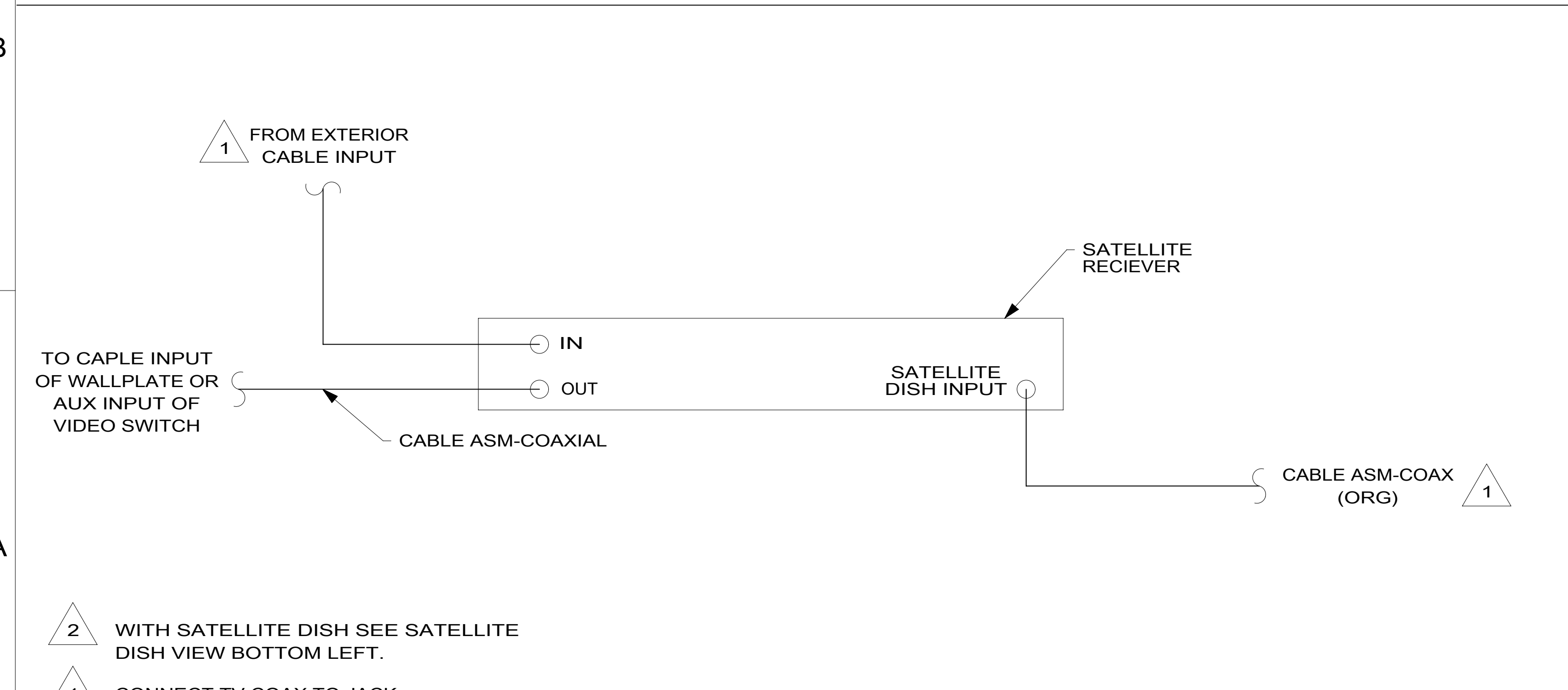
COPYRIGHT 2016 WINNEBAGO INDUSTRIES, INC.

DSNR:	ALL DIMENSIONS ARE IN MILLIMETERS	
DFFR:	MATERIAL:	
UNSPECIFIED TOLERANCES:		
WHOLE DIM (X)		
ONE-PLACE (X.X)		
TWO-PLACE (X.XX)		
ANGLE		
REFER TO ES0018 FOR FASTENER TIGHTENING GUIDELINES	WEIGHT: (LBS)	FIRST USED:
DESCRIPTION:		
WIRING DIAGRAM-TV COAX		
SHEET:	ITEM/PART NO:	REV
1 OF 2	000177027 / 30029001000	
REF:		

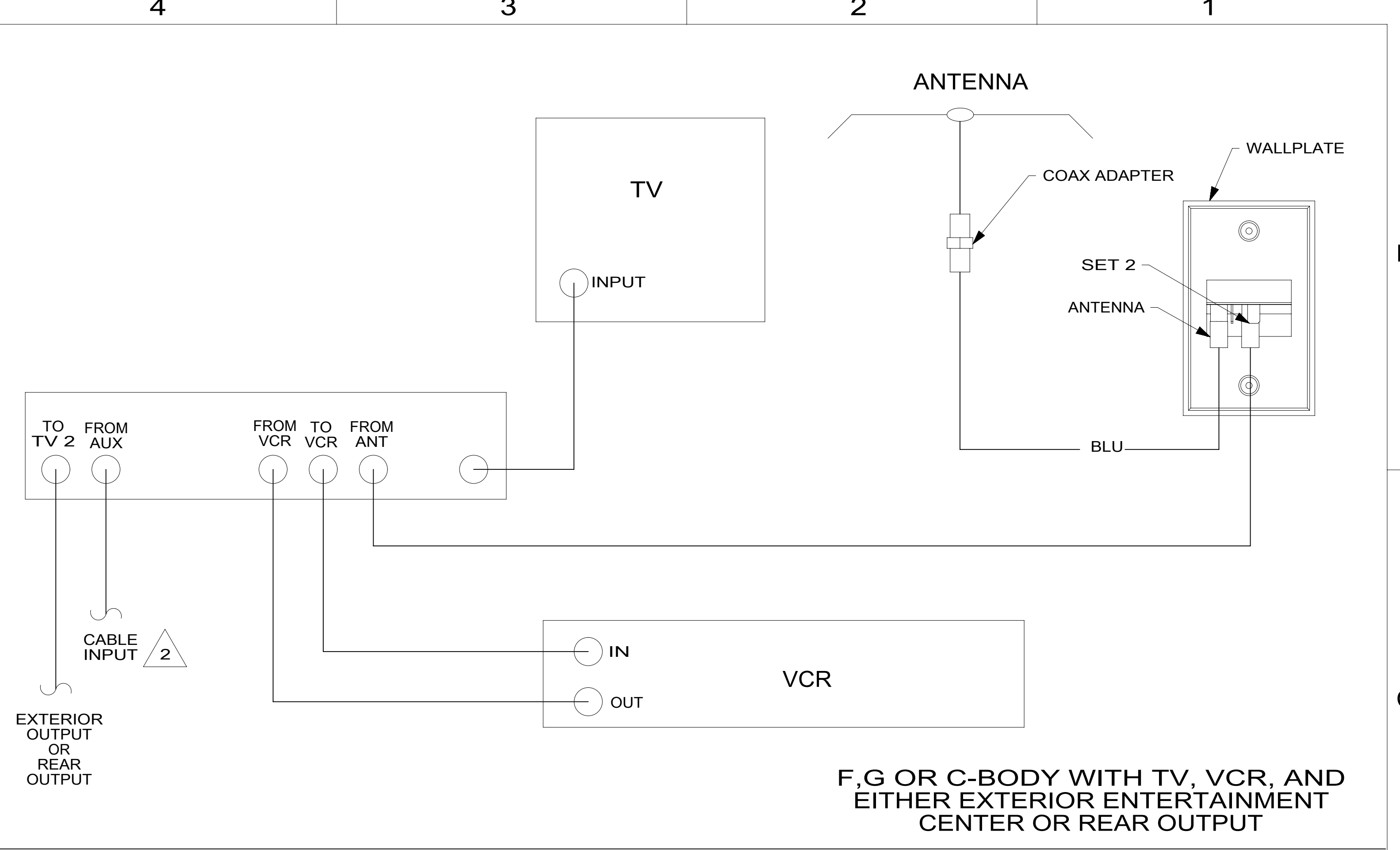
1 28-Jun-2017



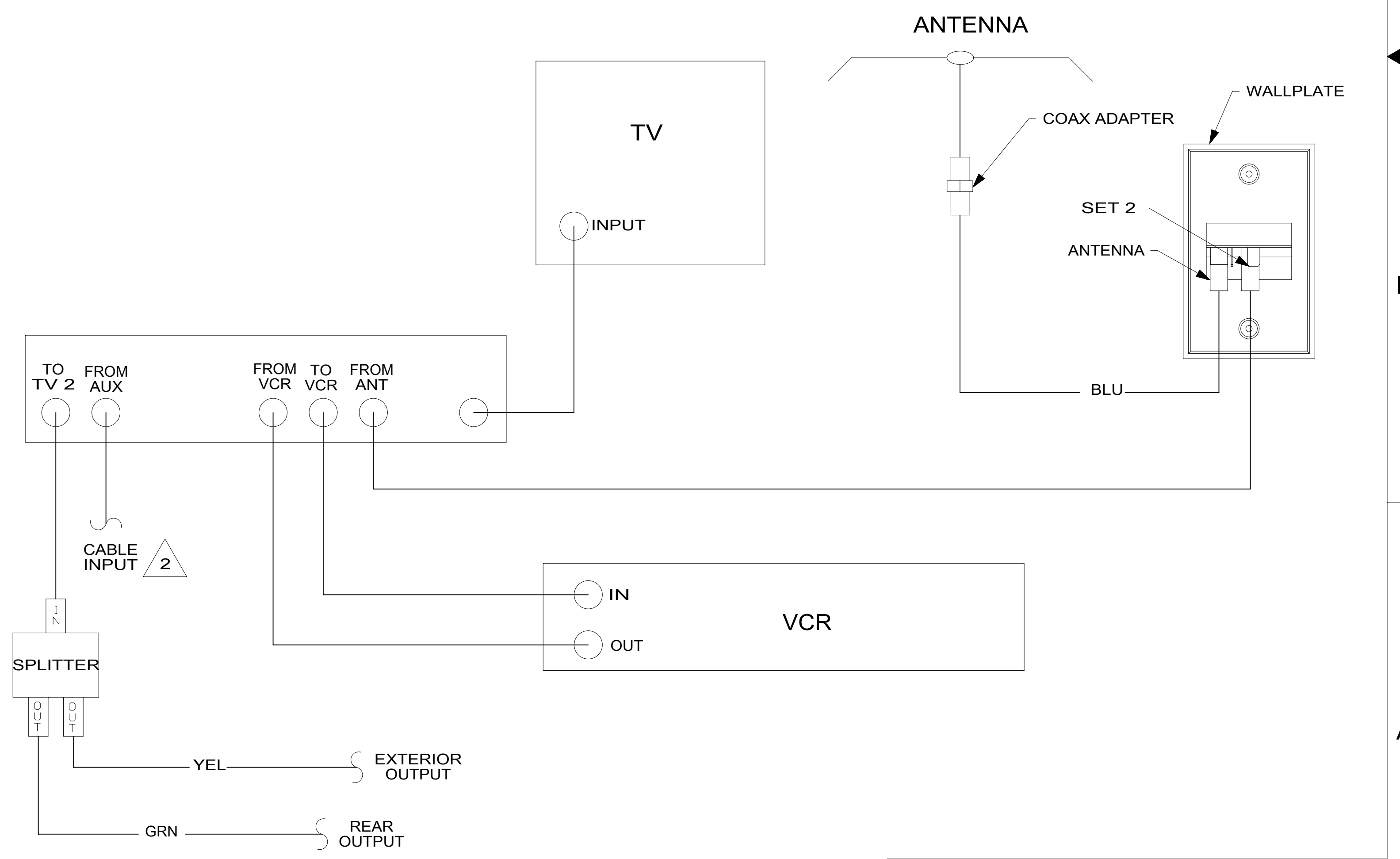
WITH TV,
EXTERIOR ENTERTAINMENT CENTER
AND REAR OUTPUT



- NOTES:
- 2 WITH SATELLITE DISH SEE SATELLITE DISH VIEW BOTTOM LEFT.
 - 1 CONNECT TV COAX TO JACK ON FRONT OF WALLPLATE.



F,G OR C-BODY WITH TV, VCR, AND
EITHER EXTERIOR ENTERTAINMENT
CENTER OR REAR OUTPUT



N,M OR P-SERIES WITH TV AND VCR OR
F,G OR C-BODY WITH TV, VCR, EXTERIOR
ENTERTAINMENT CENTER AND REAR OUTPUT

DESCRIPTION:		
WIRING DIAGRAM-TV COAX		
SHEET:	ITEM/PART NO.:	REV
2 OF 2	000177027 / 30029001000	