

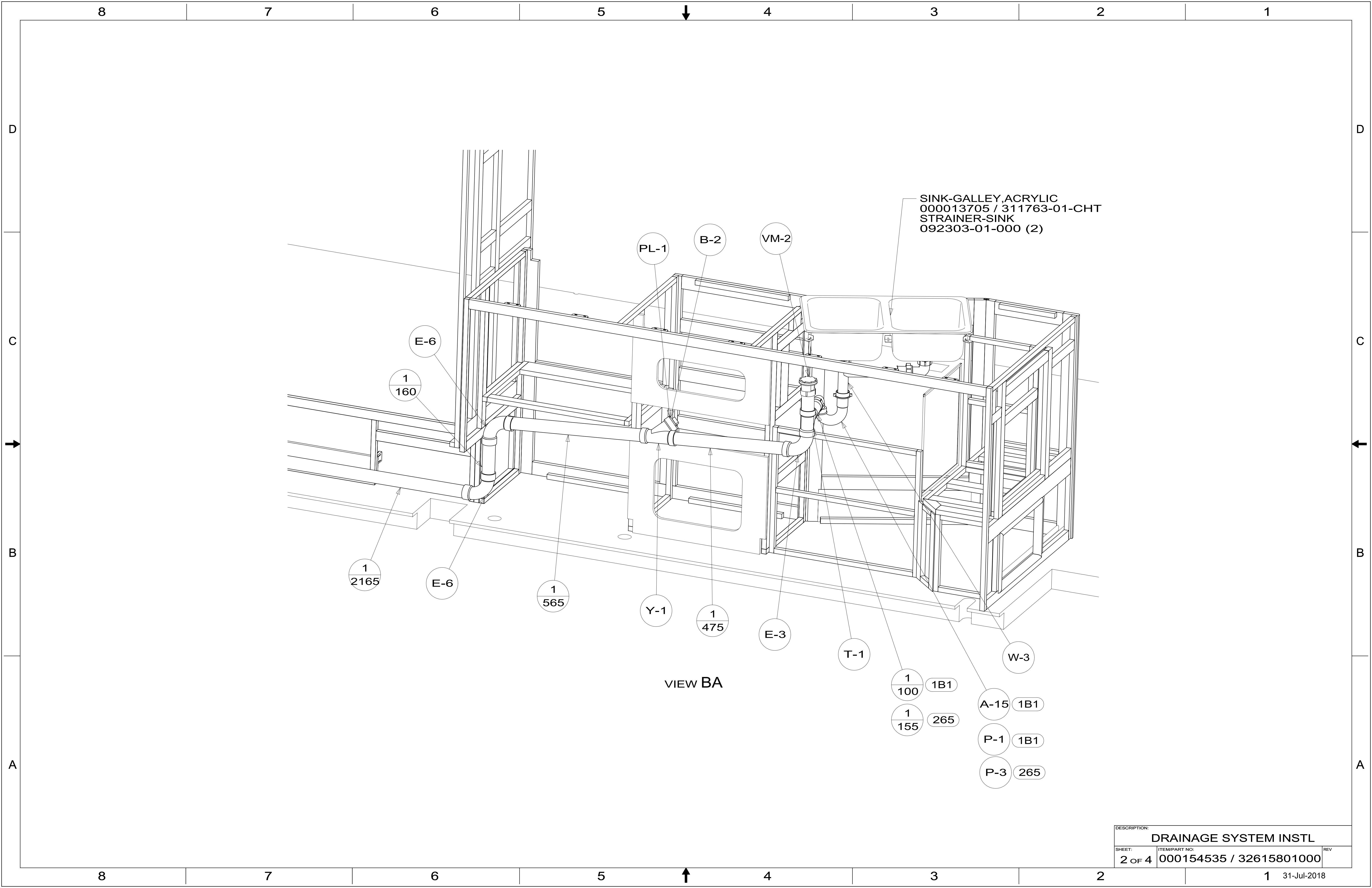
- 9. SEE DRAWING 061607 FOR INSTALLATION OF GROMMETS.
- 8. SECURE DRAINAGE PIPES TO CABINET USING WIRE TIE 108046-02-000, AND SCREW 000G67-10-12U AT INTERVALS OF NOT OF NOT MORE THAN 4 FEET APART.
- 7. SECURE VENT PIPE TO FLOOR WITH CLAMP 000156237 / 326663-02-000 (2), SCREW 000G67-10-12U (2), BRACKET 136878-01-CHT (2).
- 6. VENT PIPE MUST PROJECT 51 MIN AND 64 MAX ABOVE ROOF FOR PROPER FIT AND FUNCTION. ADD S-1 (000156099 / 326607-01-CHT SEAL-VENT PIPE) AROUND PIPE ON ROOF BEFORE VENT CAP IS INSTALLED.
- 5. SEAL AROUND SHOWER WITH SILICONE.
- 4. USE SMOOTH PLUMBERS PUTTY 167459-01-000 TO SEAL STRAINER (0.2 PER STRAINER).
- 3. ALL PIPE AND FITTINGS TO BE ASSEMBLED WITH SOLVENT 004020-01-000 (USA), 004020-02-000 (CAN)
- 2. SLOPE OF TRAP ARM MUST BE 6 PER 305 mm.
- 1. SLOPE OF HORIZONTAL PIPING TO BE MINIMUM OF 3 PER 305 mm.

265 CODES/STDS-CSA/CMVSS
 1B1 CODES/STANDARDS-USA

WINNEBAGO
 COPYRIGHT 2018 WINNEBAGO INDUSTRIES, INC.

DSNR:		ALL DIMENSIONS ARE IN MILLIMETERS	
DIFTR:			
UNSPECIFIED TOLERANCES:	MATERIAL:		
WHOLE DIM (X) :			
ONE-PLACE (X.X) :			
TWO-PLACE (X.XX) :			
ANGLE :			
REFER TO ES0018 FOR FASTENER TIGHTENING GUIDELINES		WEIGHT: (LBS)	FIRST USED: (REF)
			18 E32YE
DESCRIPTION:			
DRAINAGE SYSTEM INSTL			
SHEET:	ITEM/PART NO.:	REV	
1 OF 4	000154535 / 32615801000		

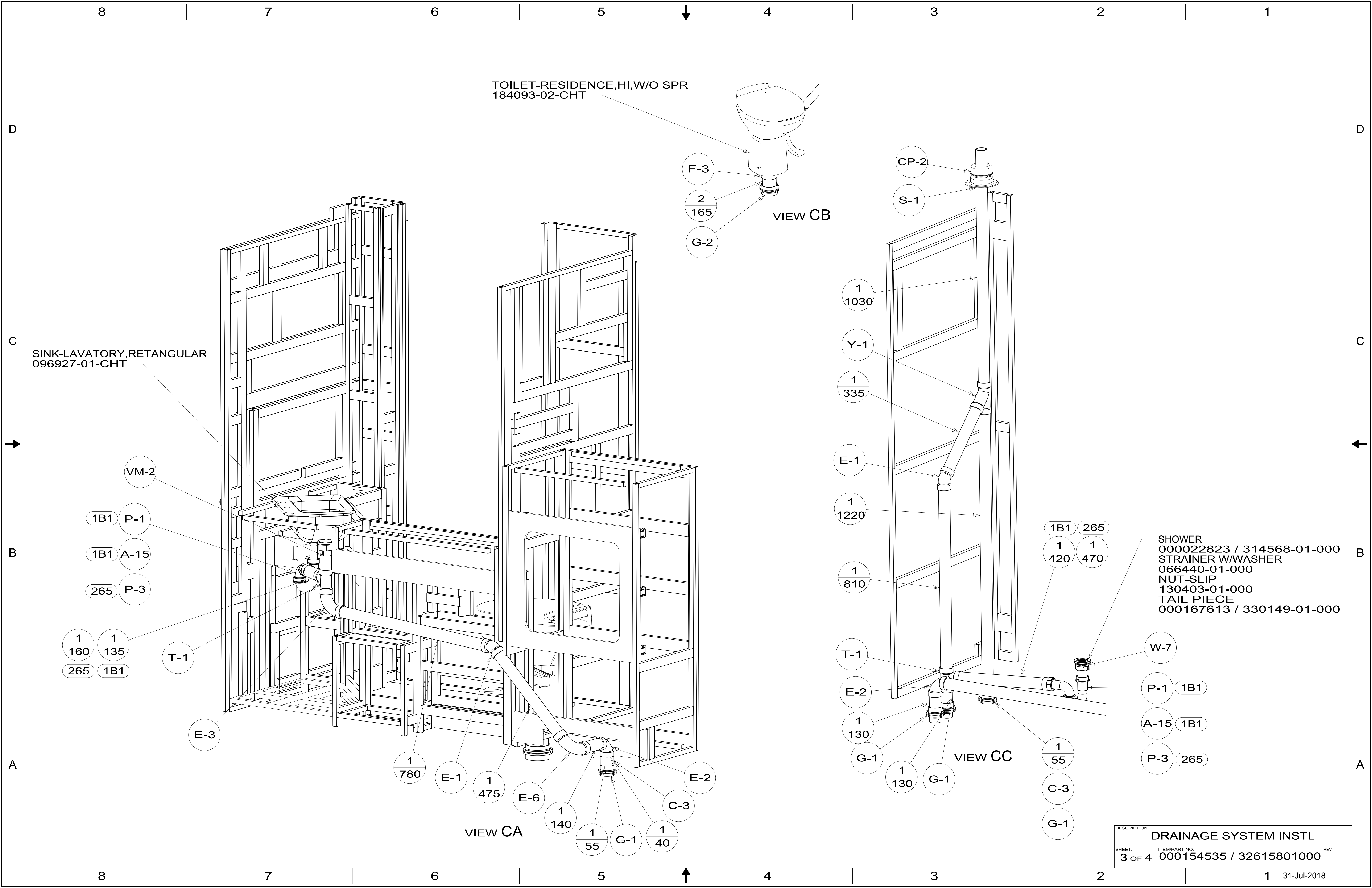
X-X
 FOR DRAINAGE CALLOUTS SEE DWG NO. 000211962 / 303370-01-000



SINK-GALLEY, ACRYLIC
 000013705 / 311763-01-CHT
 STRAINER-SINK
 092303-01-000 (2)

VIEW BA

DESCRIPTION:		
DRAINAGE SYSTEM INSTL		
SHEET:	ITEM/PART NO:	REV
2 OF 4	000154535 / 32615801000	



TOILET-RESIDENCE, HI, W/O SPR
184093-02-CHT

- F-3
- 2
165
- G-2

VIEW CB

SINK-LAVATORY, RETANGULAR
096927-01-CHT

- VM-2
- 1B1 P-1
- 1B1 A-15
- 265 P-3
- 1 160
- 1 135
- 265 1B1
- T-1
- E-3

VIEW CA

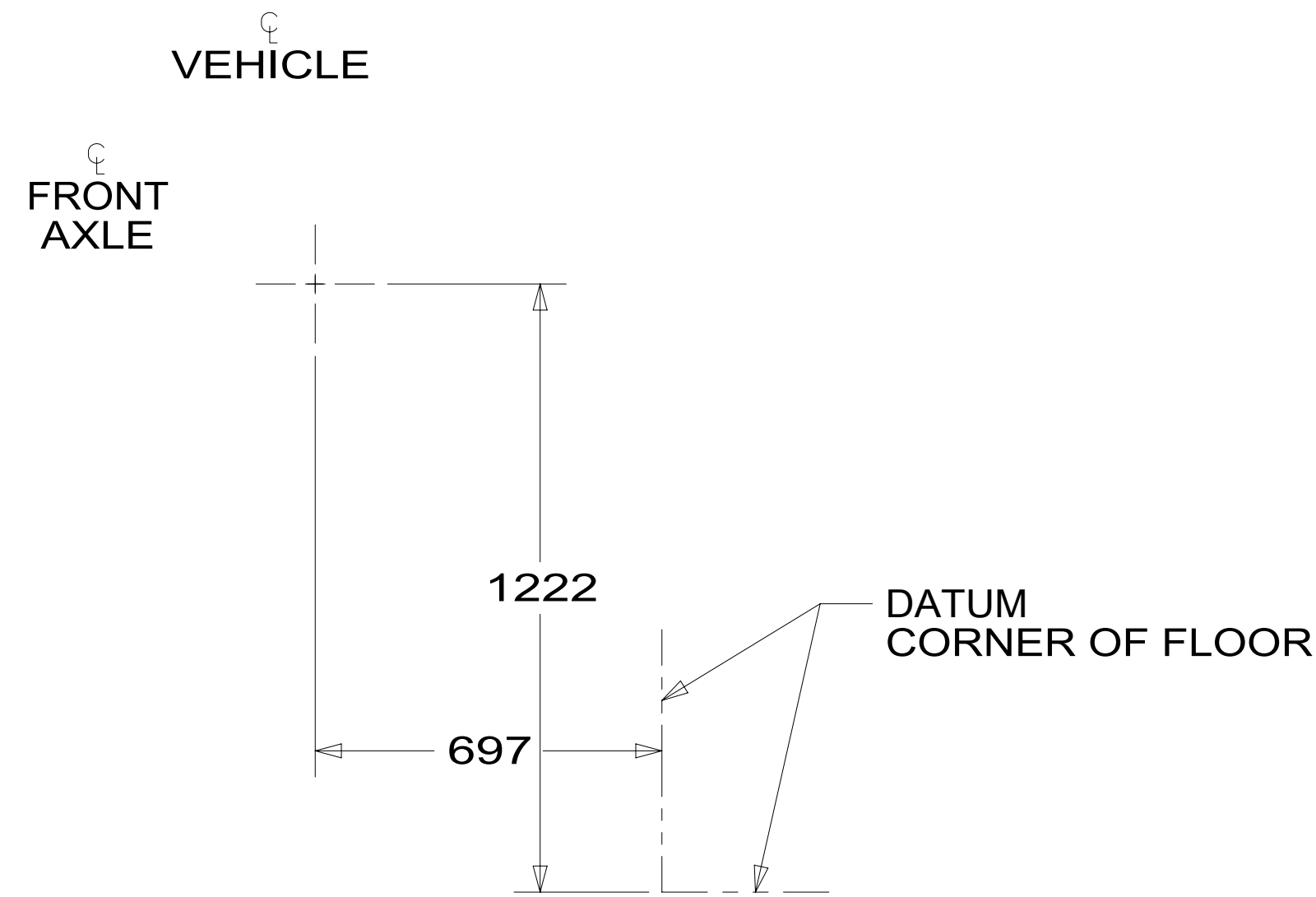
- 1 780
- E-1
- 1 475
- E-6
- 1 140
- 1 55
- G-1
- 1 40
- E-2
- C-3

- CP-2
- S-1
- 1 1030
- Y-1
- 1 335
- E-1
- 1 1220
- 1 810
- T-1
- E-2
- 1 130
- G-1
- 1 130
- G-1
- 1 55
- C-3
- G-1
- 1B1 265
- 1 420
- 1 470
- W-7
- P-1 1B1
- A-15 1B1
- P-3 265

VIEW CC

SHOWER
000022823 / 314568-01-000
STRAINER W/WASHER
066440-01-000
NUT-SLIP
130403-01-000
TAIL PIECE
000167613 / 330149-01-000

DESCRIPTION: DRAINAGE SYSTEM INSTL		
SHEET: 3 OF 4	ITEM/PART NO.: 000154535 / 32615801000	REV



FOAM
130223-27-000
(1219 X 548 X 98 X 69)

INSULATION
120050-51-000
(672 X 240)

INSULATION
120050-62-000
(240 X 2160)

INSULATION
181740-06-000 (2)
(200 X 200 X 35)

INSULATION
120050-43-000 (2)
(100 X 200)

INSULATION
168508-21-000
(472 X 240)

INSULATION
168508-34-000 (2)
(130 X 200)

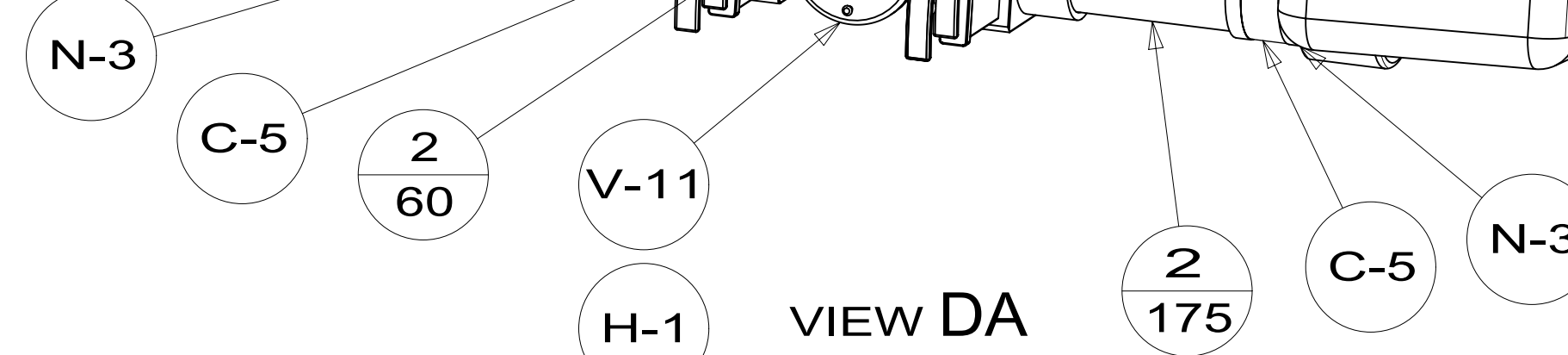
234 5169 25

TANK-HOLDING, 41 GAL
000018457 / 313635-01-000

TANK-HOLDING, 57 GAL
000022516 / 314471-01-000

BRACKET-TIE DOWN
139004-01-CHT
SCREW
000G39-08-16U (2)

BRACKET-ANGLE, W/HOLES
094756-02-CHT
SCREW
000G39-08-16U (2)



DESCRIPTION: DRAINAGE SYSTEM INSTL		
SHEET: 4 OF 4	ITEM/PART NO: 000154535 / 32615801000	REV