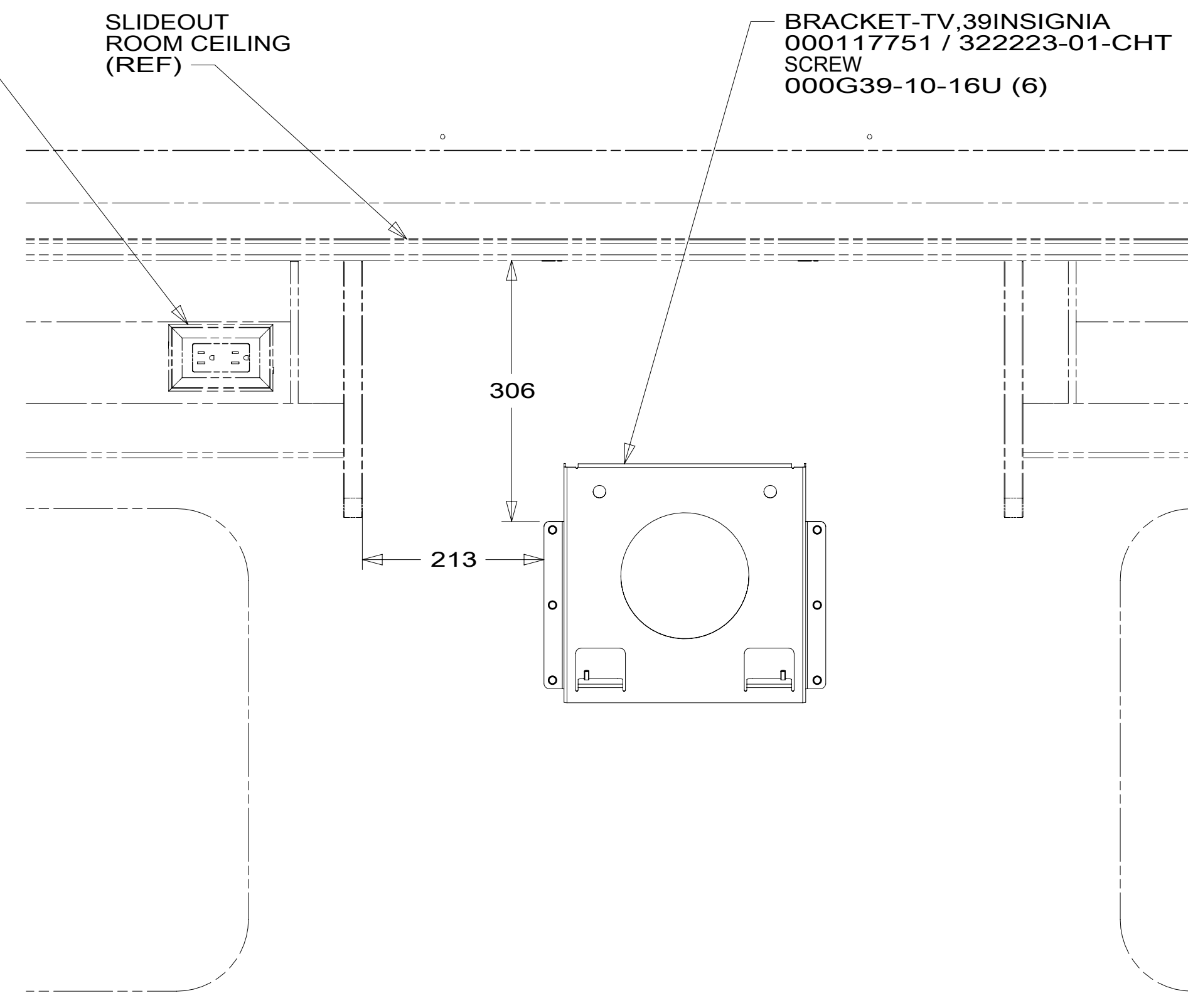
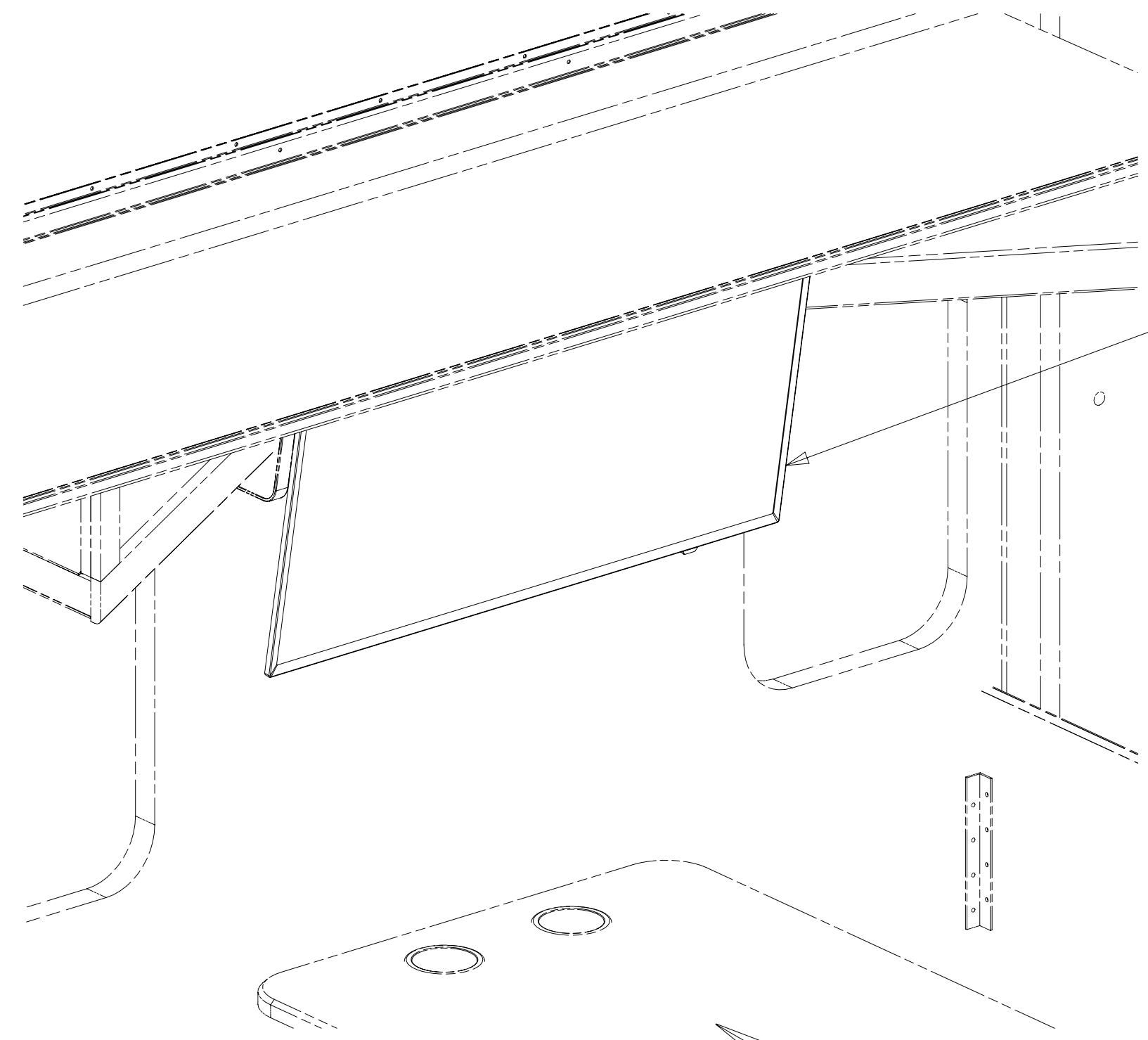


VIEW AB



VIEW AA  
(TV NOT SHOWN)



TV-39\"/>

- NOTES:
- WHERE WIRES PASS THROUGH HOLES IN STEEL AND NOT OTHERWISE PROTECTED, USE GROMMET 92908-02-000.
  - ALL WIRES TO BE SECURED WITH CLAMP 10495-01-000 OR CLIP 80734-01-000 EVERY 600MM. USE SCREW G67-10-12B UNLESS OTHERWISE SPECIFIED.
  - 110V WIRE TO BE CLAMPED WITH CLAMP 10497-05-000 WITHIN 200MM OF OUTLET BOXES, USE SCREW G67-10-12B.

265 CODES/STANDARDS-CSA/CMVSS  
1B1 CODES/STANDARDS USA  
1B1 265

<b>WINNEBAGO</b> COPYRIGHT 2016 WINNEBAGO INDUSTRIES, INC.	
DSNR:	ALL DIMENSIONS ARE IN MILLIMETERS
DfTR:	MATERIAL:
UNSPECIFIED TOLERANCES:	
WHOLE DIM (X) :	3
ONE-PLACE (X.X) :	1.5
TWO-PLACE (X.XX) :	0.50
ANGLE :	1°
REFER TO ES0018 FOR FASTENER TIGHTENING GUIDELINES	WEIGHT: (LBS) FIRST USED: <b>18 E27PE</b>
<b>DESCRIPTION:</b> <b>WIRING INSTL-TV/DVD</b>	
SHEET: <b>1 OF 4</b>	ITEM/PART NO.: <b>000152865 / 32593101000</b>
REF:	REV:

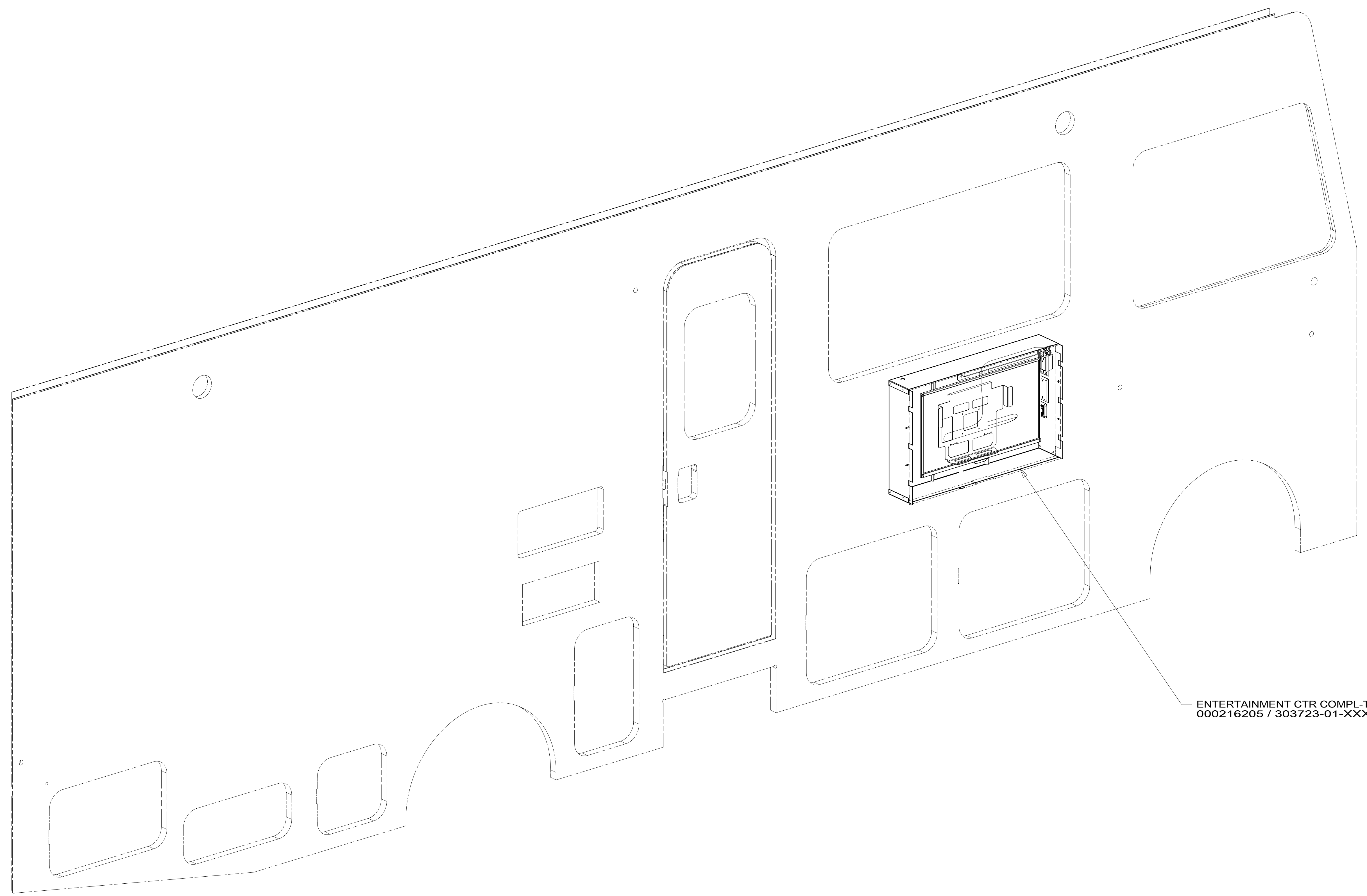
FOR ELECTRICAL TORQUE SPECIFICATIONS SEE DWG NO. 128783-01-000

FOR ELECTRICAL CALLOUTS SEE DWG NO. 121339-01-000

8 7 6 5 4 3 2 1

D  
C  
B  
A

D  
C  
B  
A



ENTERTAINMENT CTR COMPL-TV  
000216205 / 303723-01-XXX 1DF

- 1DF EXT TV ENTERTAINMENT CENTER
- 265 CODES/STANDARDS-CSA/CMVSS
- 1B1 CODES/STANDARDS USA

FOR ELECTRICAL  
TORQUE  
SPECIFICATIONS  
SEE DWG NO.  
128783-01-000

X-X  
FOR  
ELECTRICAL  
CALLOUTS  
SEE DWG NO.  
121339-01-000

DESCRIPTION: <b>WIRING INSTL-TV/DVD</b>	
SHEET: 2 OF 4	ITEM/PART NO: 000152865 / 32593101000
REV	1 25-Jul-2018

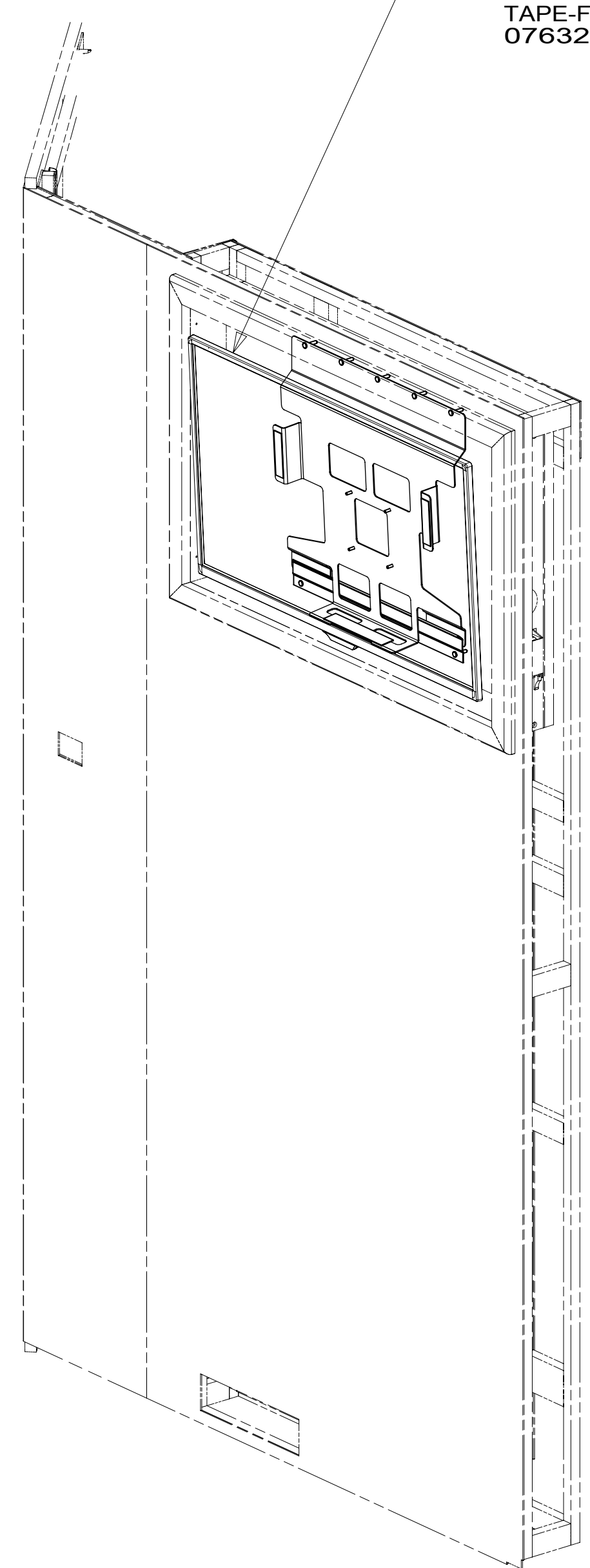
8 7 6 5 4 3 2 1

8 7 6 5 4 3 2 1

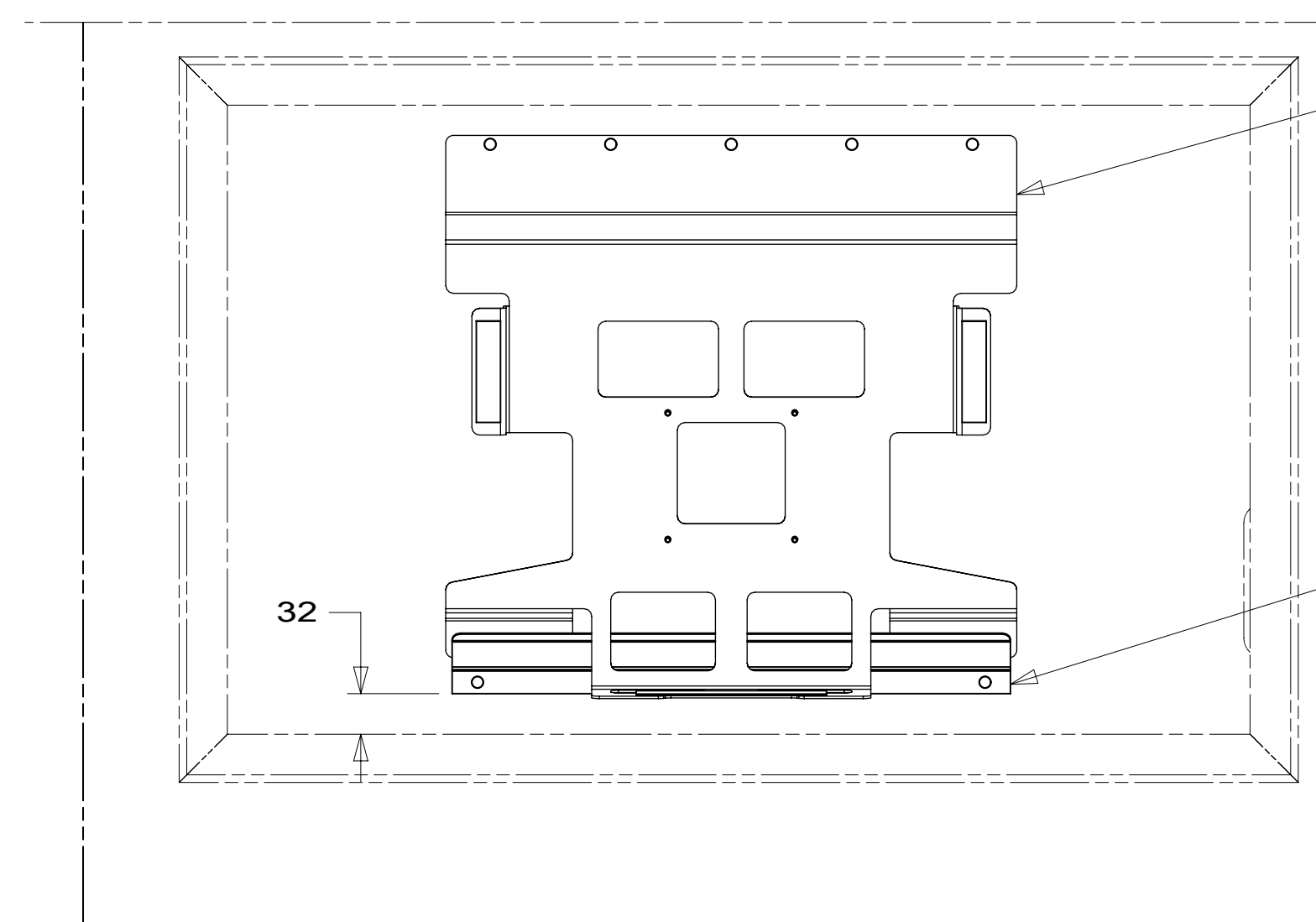
D  
C  
B  
A

D  
C  
B  
A

TV-32" HDTV  
000125949 / 324307-01-000  
SCREW  
OMG02U-04-012 (4)  
WASHER-LOCK  
OME02U-04-071 (4)  
TAPE-FOAM  
076322-22-000 (80 MM) (2)  
TAPE-FOAM  
076322-23-000 (150 MM) 1



BA



BRACKET-TV, 32 INSIG  
000128763 / 325071-01-CHT  
SCREW  
000G11-10-16U (5)

CLIP-TRIM  
130034-08-CHT  
SCREW  
000G11-10-16U (5)

VIEW BA  
(TV NOT SHOWN)

1 PREP BOTH SURFACES WITH ADHESIVE-PROMOTER 087211-01-000.

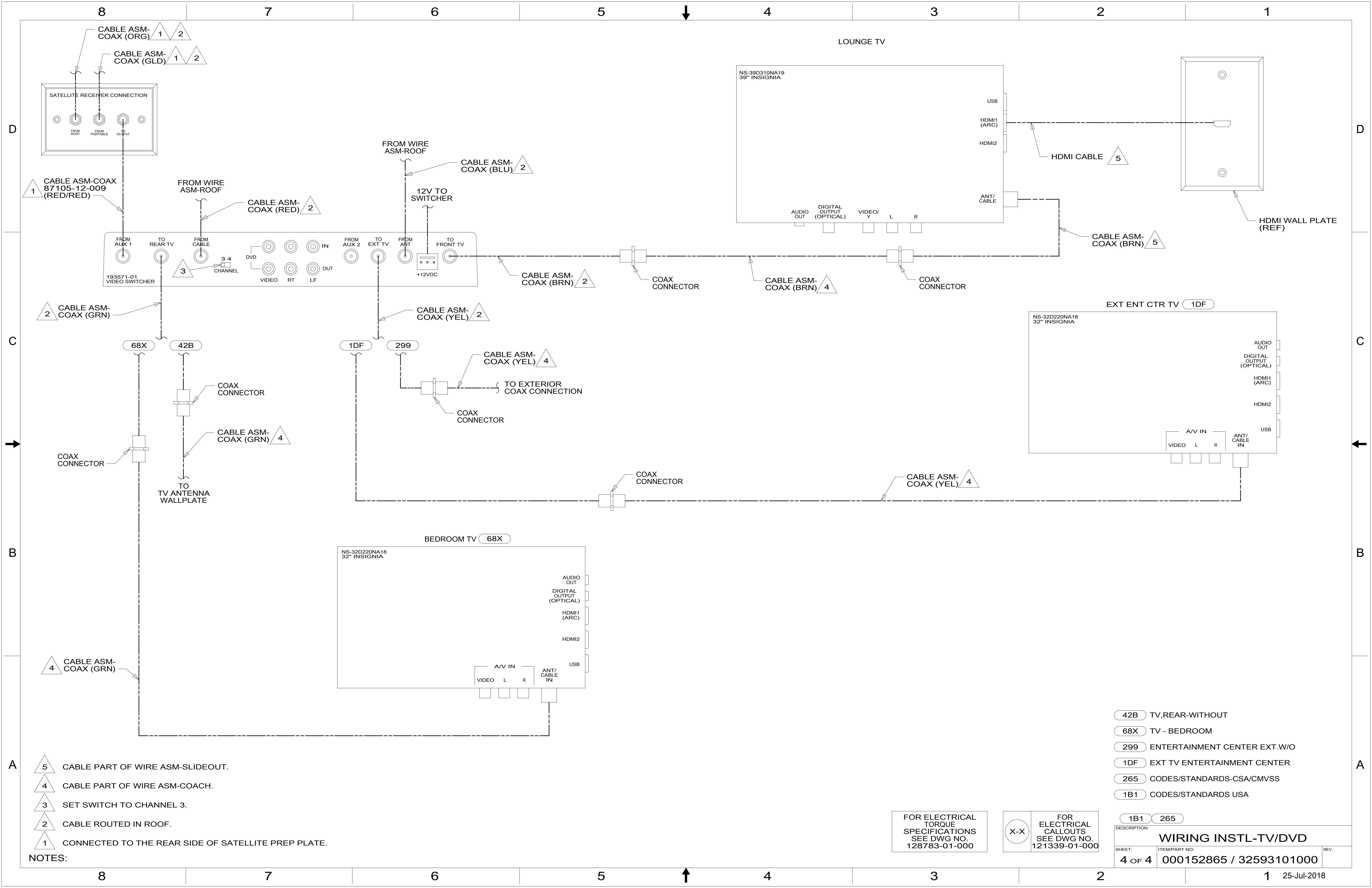
FOR ELECTRICAL  
TORQUE  
SPECIFICATIONS  
SEE DWG NO.  
128783-01-000

FOR  
ELECTRICAL  
CALLOUTS  
SEE DWG NO.  
121339-01-000

- 68X TV - BEDROOM
- 265 CODES/STANDARDS-CSA/CMVSS
- 1B1 CODES/STANDARDS USA

<span style="border: 1px solid black; border-radius: 50%; padding: 2px;">1B1</span> <span style="border: 1px solid black; border-radius: 50%; padding: 2px;">265</span> <span style="border: 1px solid black; border-radius: 50%; padding: 2px;">68X</span>		
DESCRIPTION: <b>WIRING INSTL-TV/DVD</b>		
SHEET: <b>3 OF 4</b>	ITEM/PART NO: <b>000152865 / 32593101000</b>	REV

8 7 6 5 4 3 2 1 25-Jul-2018



- 5 CABLE PART OF WIRE ASM-SLIDEOUT.
- 4 CABLE PART OF WIRE ASM-COACH.
- 3 SET SWITCH TO CHANNEL 3.
- 2 CABLE ROUTED IN ROOF.
- 1 CONNECTED TO THE REAR SIDE OF SATELLITE PREP PLATE.

NOTES:

- 42B TV, REAR-WITHOUT
- 68X TV - BEDROOM
- 299 ENTERTAINMENT CENTER EXT. W/O
- 1DF EXT TV ENTERTAINMENT CENTER
- 265 CODES/STANDARDS-CSA/CMVSS
- 1B1 CODES/STANDARDS USA

FOR ELECTRICAL TORQUE SPECIFICATIONS SEE DWG NO. 128783-01-000

FOR ELECTRICAL CALLOUTS SEE DWG NO. 121339-01-000

DESCRIPTION:		1B1 265	
<b>WIRING INSTL-TV/DVD</b>			
SHEET:	ITEM/PART NO.:	REV	
4 OF 4	000152865 / 32593101000		