

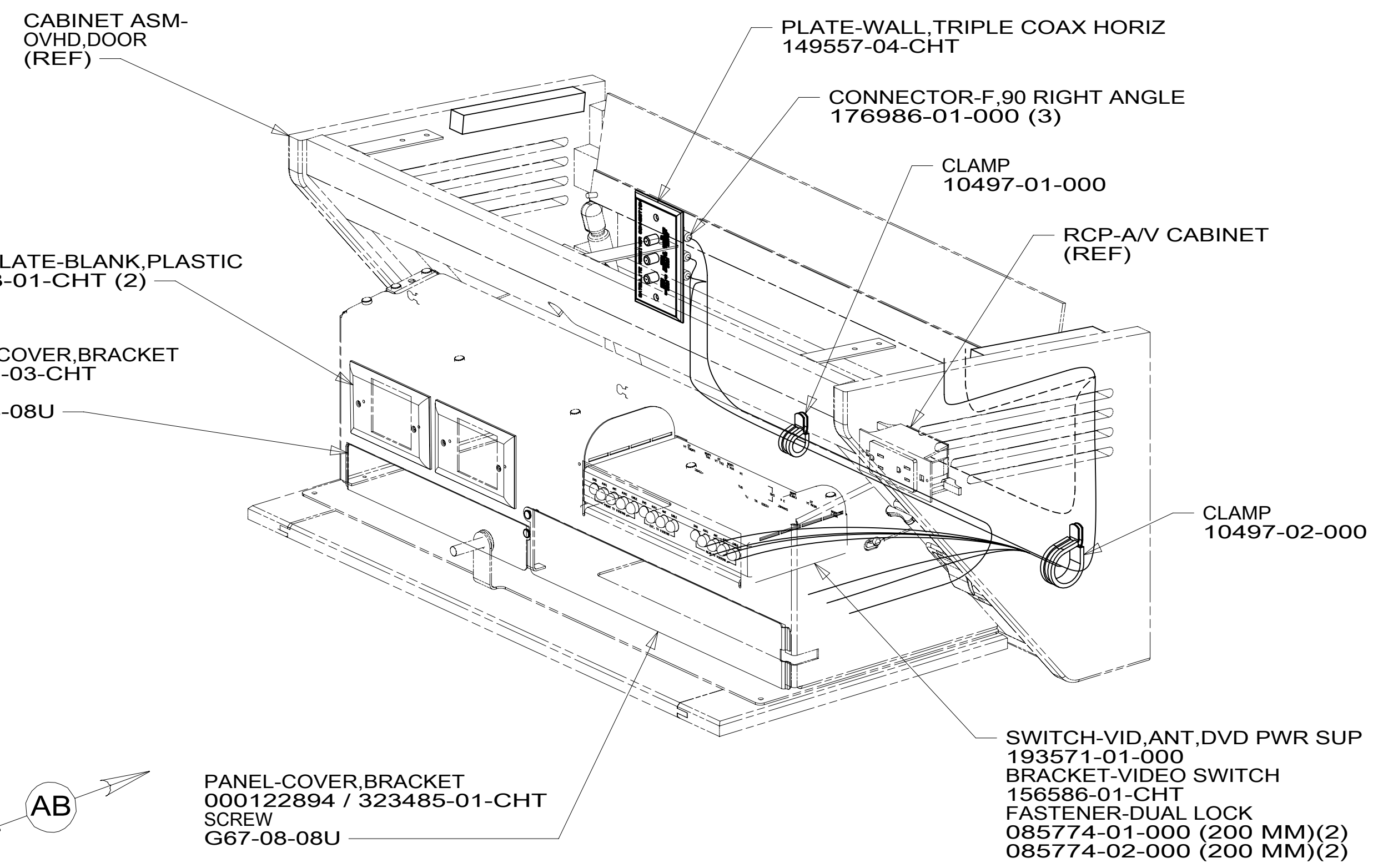
8 7 6 5 4 3 2 1

D

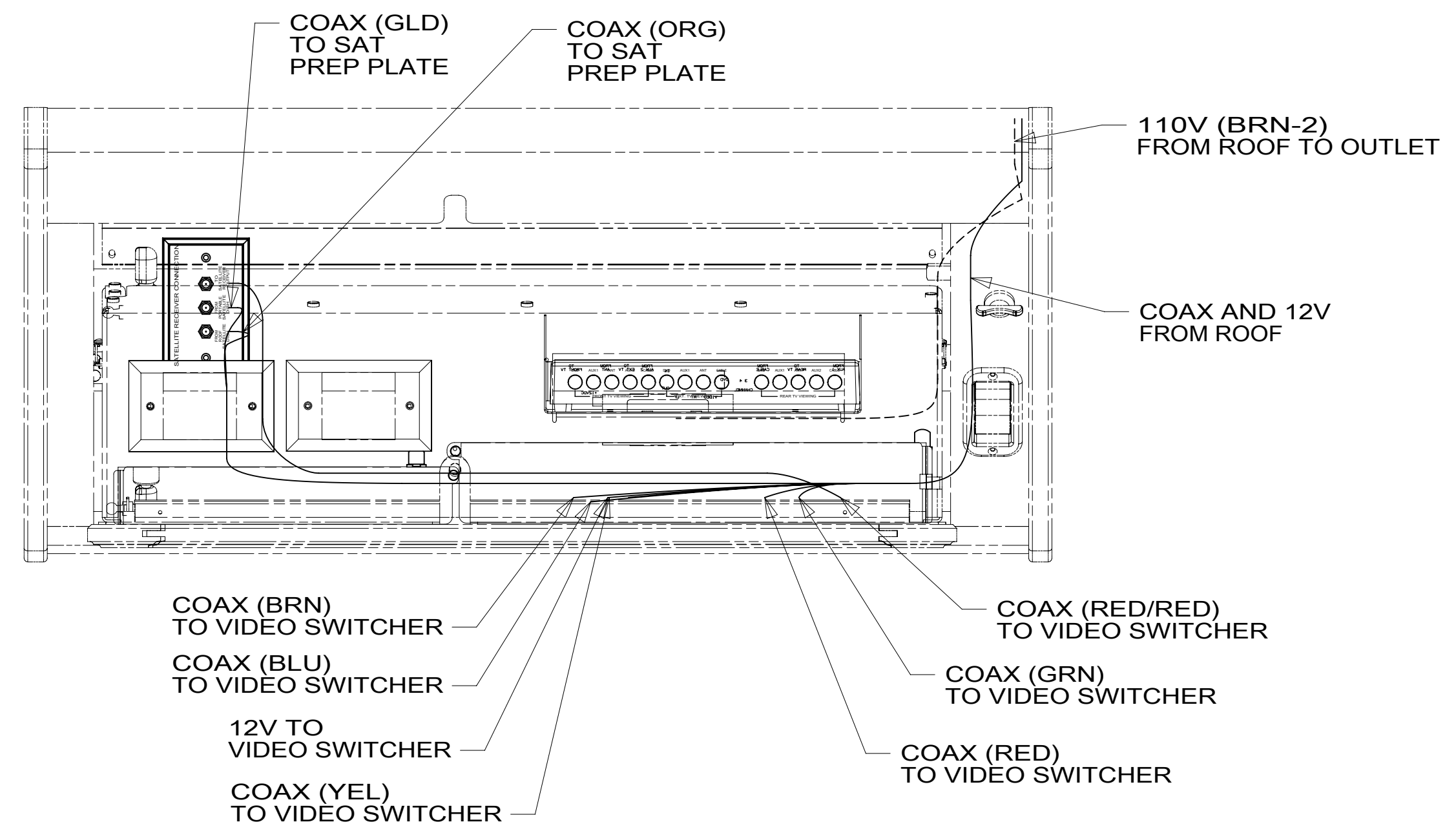
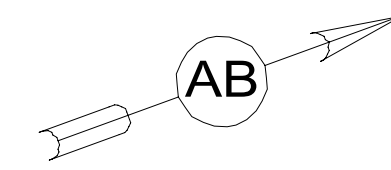
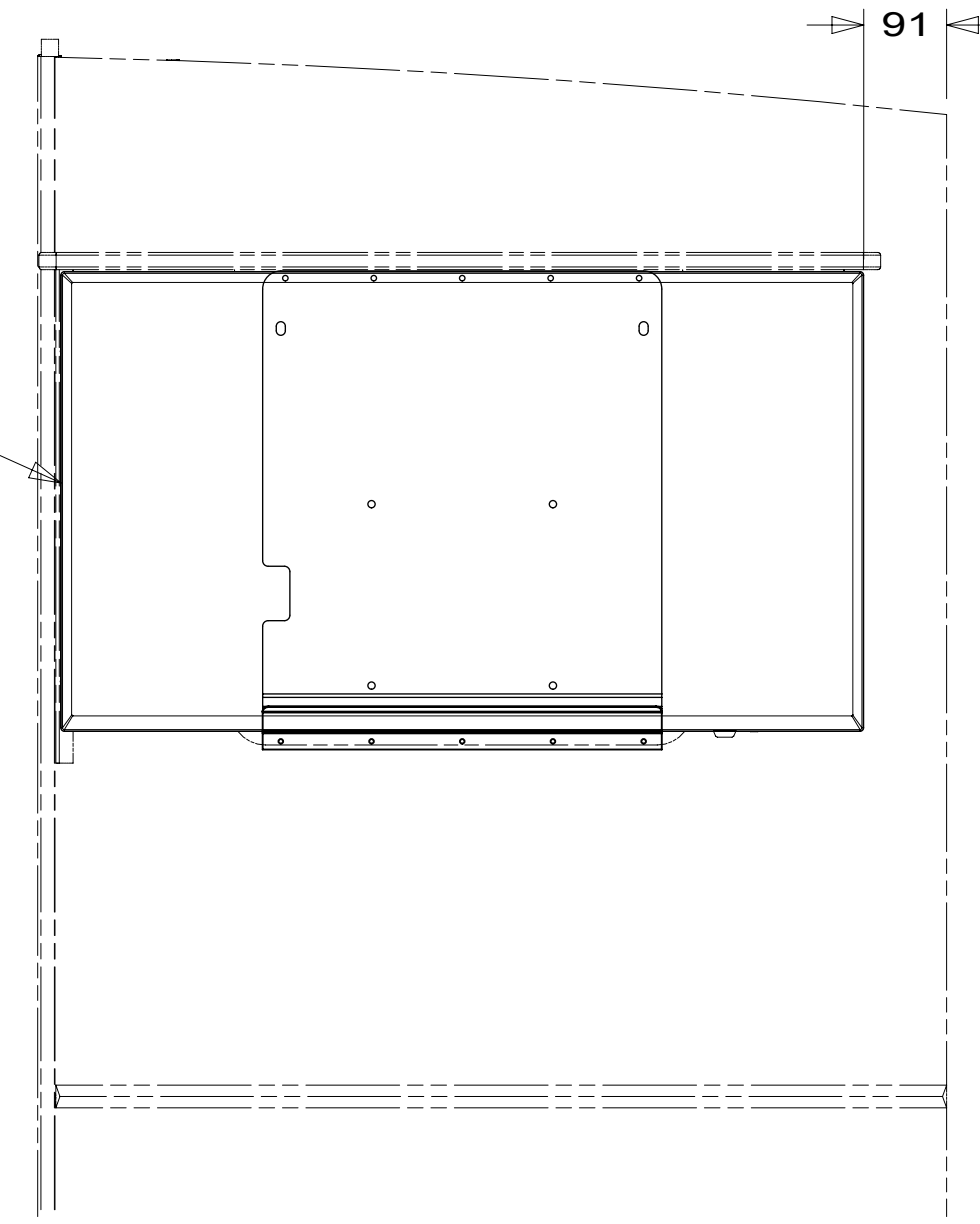
C

B

A



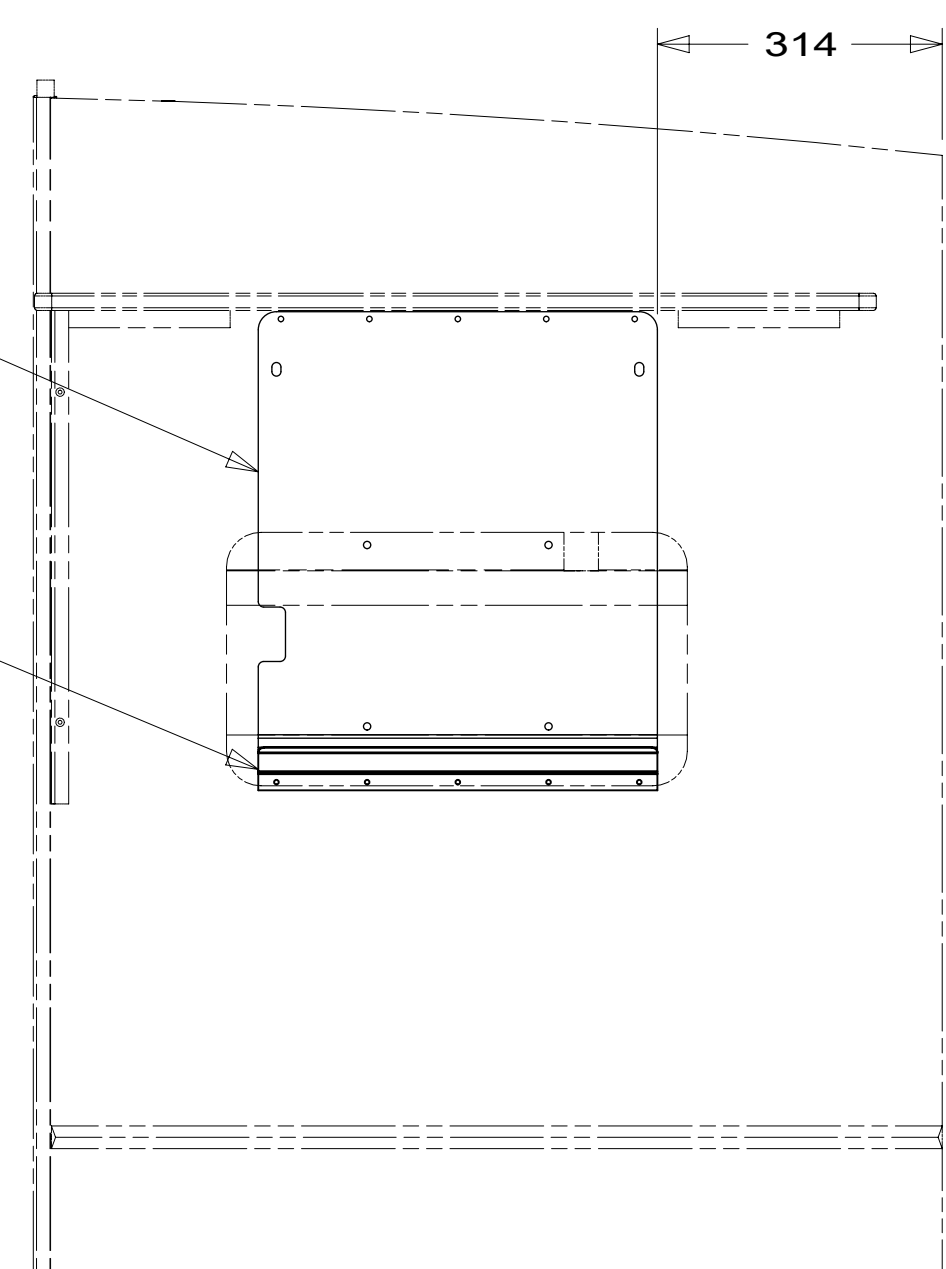
TV-39" HDTV, INSIGNIA
000167539 / 330141-01-000
SCREW
(SUPPLIED W/TV)



VIEW AB

BRACKET-MNTG, TV, 39" INSIG
000167840 / 330194-01-CHT
SCREW
G39-08-12U (5)

CLIP-TRIM
130034-08-CHT
SCREW
G39-08-12U (5)



(TV NOT SHOWN)

- NOTES:
- 110V WIRE TO BE CLAMPED WITH CLAMP 10497-05-000 WITHIN 200MM OF OUTLET BOXES, USE SCREW G67-10-12B.
 - ALL WIRES TO BE SECURED WITH CLAMP 10495-01-000 OR CLIP 80734-01-000 EVERY 600MM. USE SCREW G67-10-12B UNLESS OTHERWISE SPECIFIED.
 - WHERE WIRES PASS THROUGH HOLES IN STEEL AND NOT OTHERWISE PROTECTED, USE GROMMET 92908-02-000.

FOR ELECTRICAL TORQUE SPECIFICATIONS SEE DWG NO. 128783-01-000

FOR ELECTRICAL CALLOUTS SEE DWG NO. 121339-01-000

- 265 CODES/STANDARDS-CSA/CMVSS
- 1B1 CODES/STANDARDS USA
- 1B1 265



DSNR:		ALL DIMENSIONS ARE IN MILLIMETERS	
DFFR:		MATERIAL:	
UNSPECIFIED TOLERANCES:	WHOLE DIM (X)	:	3
	ONE-PLACE (X.X)	:	1.5
	TWO-PLACE (X.XX)	:	0.50
	ANGLE	:	1°
REFER TO ES0018 FOR FASTENER TIGHTENING GUIDELINES		WEIGHT: (LBS)	FIRST USED:
			18 E32YE
DESCRIPTION: WIRING INSTL-TV/DVD			
SHEET:	ITEM/PART NO.:	REF:	REV
1 OF 4	000131235 / 32567501000		

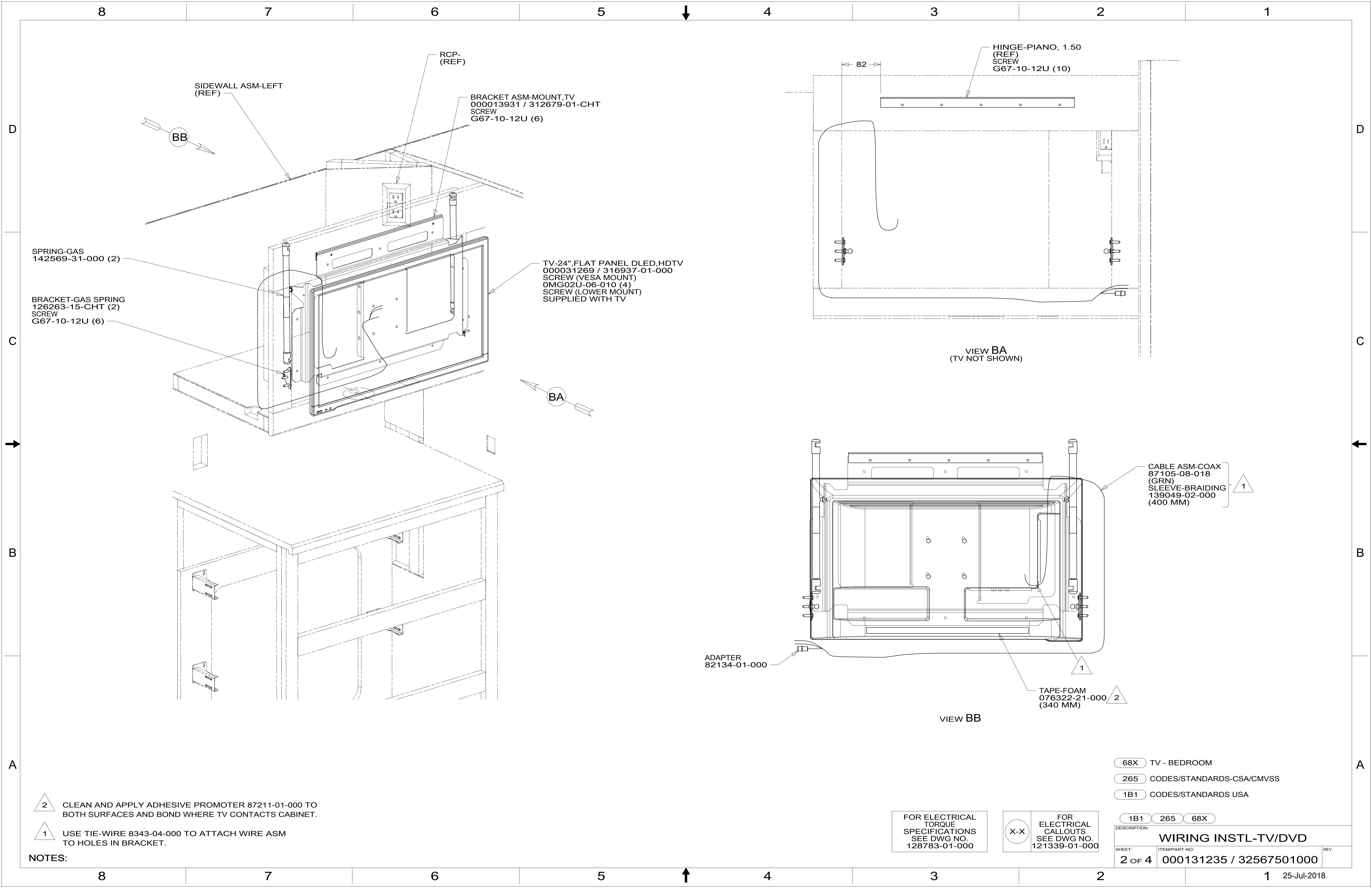
8 7 6 5 4 3 2 1

D

C

B

A



SIDEWALL ASM-LEFT
(REF)

RCP-
(REF)

BRACKET ASM-MOUNT-TV
000013931 / 312679-01-CHT
SCREW
G67-10-12U (6)

SPRING-GAS
142569-31-000 (2)

BRACKET-GAS SPRING
126263-15-CHT (2)
SCREW
G67-10-12U (6)

TV-24", FLAT PANEL DLED, HDTV
000031269 / 316937-01-000
SCREW (VESA MOUNT)
0MG02U-06-010 (4)
SCREW (LOWER MOUNT)
SUPPLIED WITH TV

HINGE-PIANO, 1.50
(REF)
SCREW
G67-10-12U (10)

82

VIEW BA
(TV NOT SHOWN)

CABLE ASM-COAX
87105-08-018
(GRN)
SLEEVE-BRAIDING
139049-02-000
(400 MM)

ADAPTER
82134-01-000

TAPE-FOAM
076322-21-000
(340 MM)

VIEW BB

2 CLEAN AND APPLY ADHESIVE PROMOTER 87211-01-000 TO BOTH SURFACES AND BOND WHERE TV CONTACTS CABINET.

1 USE TIE-WIRE 8343-04-000 TO ATTACH WIRE ASM TO HOLES IN BRACKET.

NOTES:

FOR ELECTRICAL
TORQUE
SPECIFICATIONS
SEE DWG NO.
128783-01-000

FOR ELECTRICAL
CALLOUTS
SEE DWG NO.
121339-01-000

- 68X TV - BEDROOM
- 265 CODES/STANDARDS-CSA/CMVSS
- 1B1 CODES/STANDARDS USA

1B1 265 68X

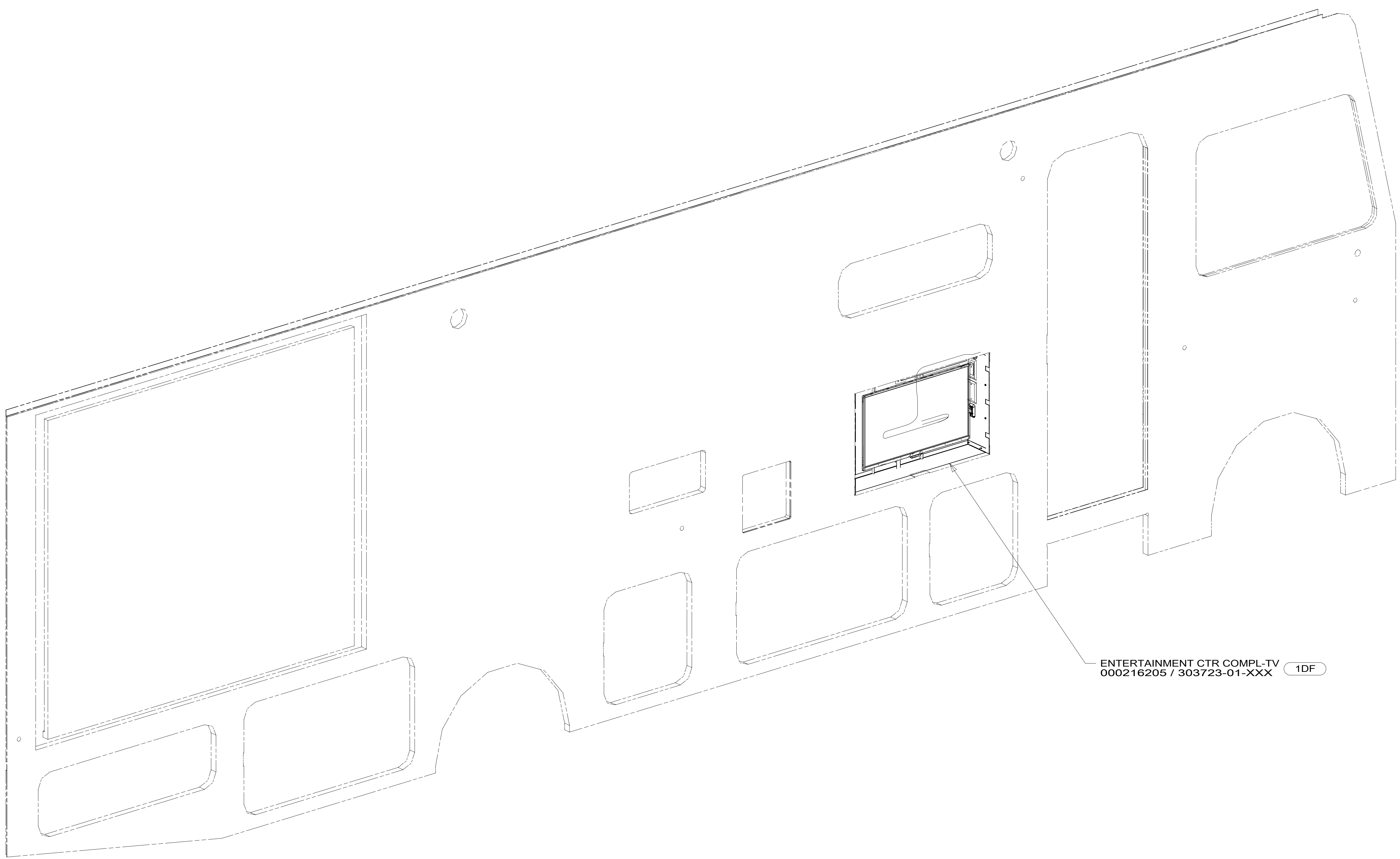
DESCRIPTION:
WIRING INSTL-TV/DVD

SHEET: 2 OF 4 ITEM/PART NO: 000131235 / 32567501000 REV

8 7 6 5 4 3 2 1

D
C
B
A

D
C
B
A



ENTERTAINMENT CTR COMPL-TV
000216205 / 303723-01-XXX 1DF

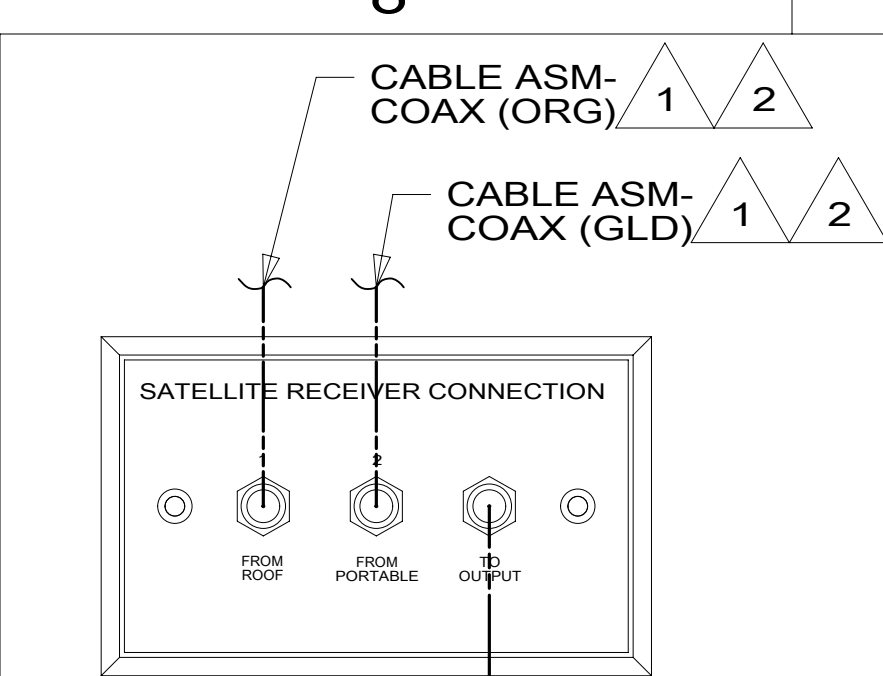
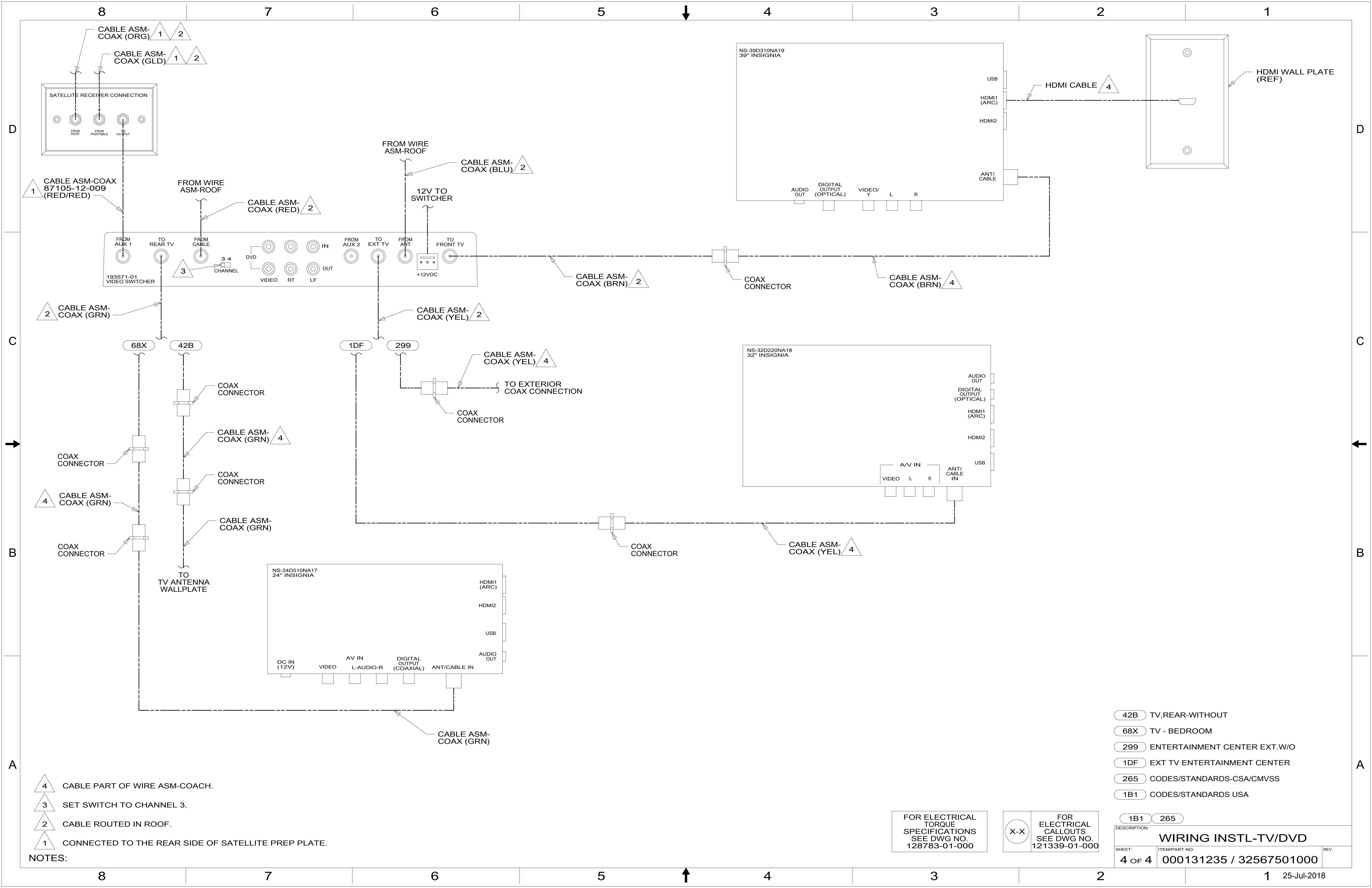
- 1DF EXT TV ENTERTAINMENT CENTER
- 265 CODES/STANDARDS-CSA/CMVSS
- 1B1 CODES/STANDARDS USA

FOR ELECTRICAL
TORQUE
SPECIFICATIONS
SEE DWG NO.
128783-01-000

FOR ELECTRICAL
CALLOUTS
SEE DWG NO.
121339-01-000

DESCRIPTION:		1B1 265
WIRING INSTL-TV/DVD		
SHEET:	ITEM/PART NO.:	REV
3 OF 4	000131235 / 32567501000	

8 7 6 5 4 3 2 1 25-Jul-2018



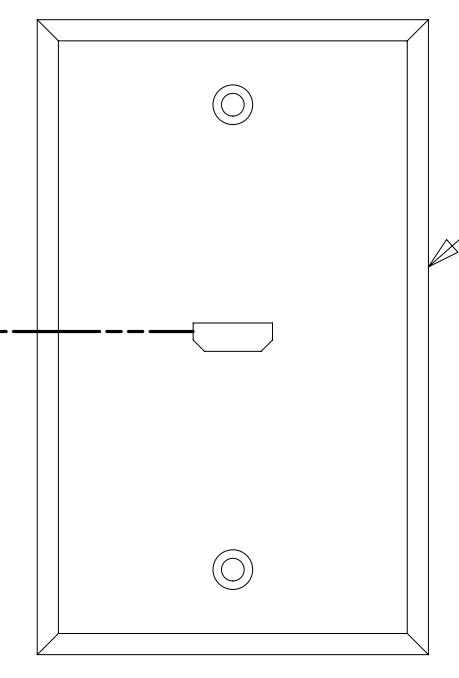
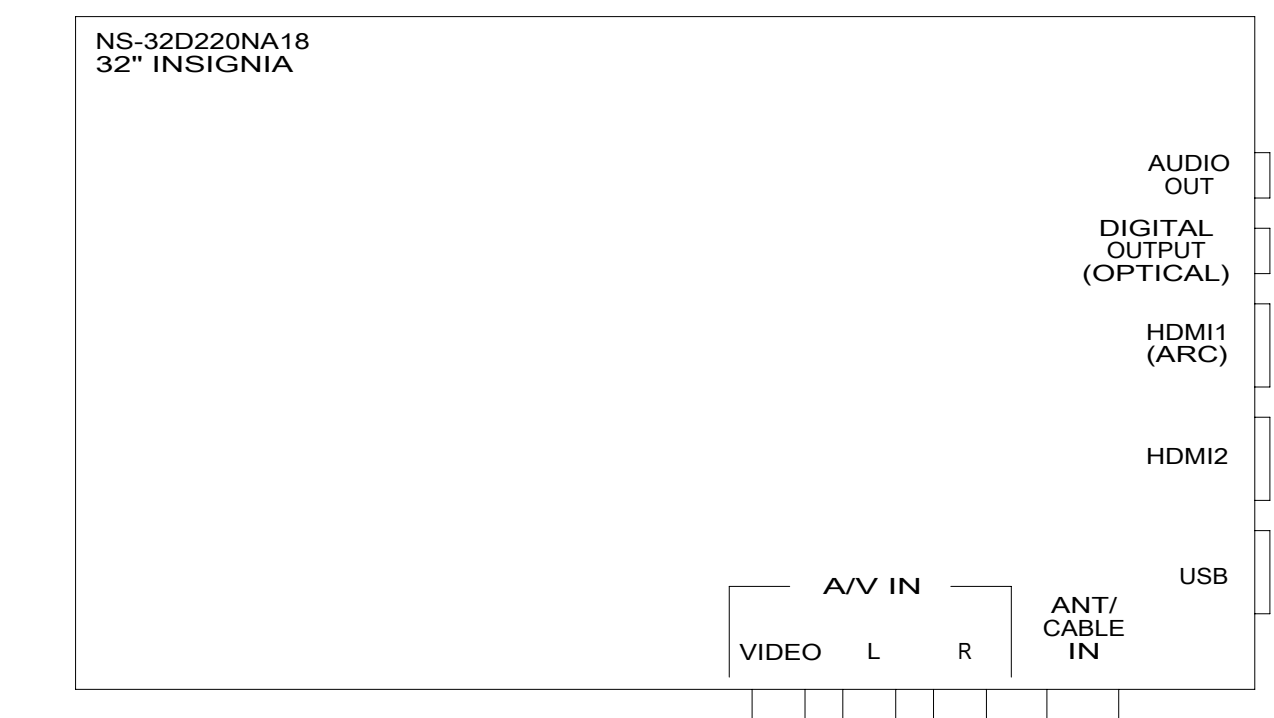
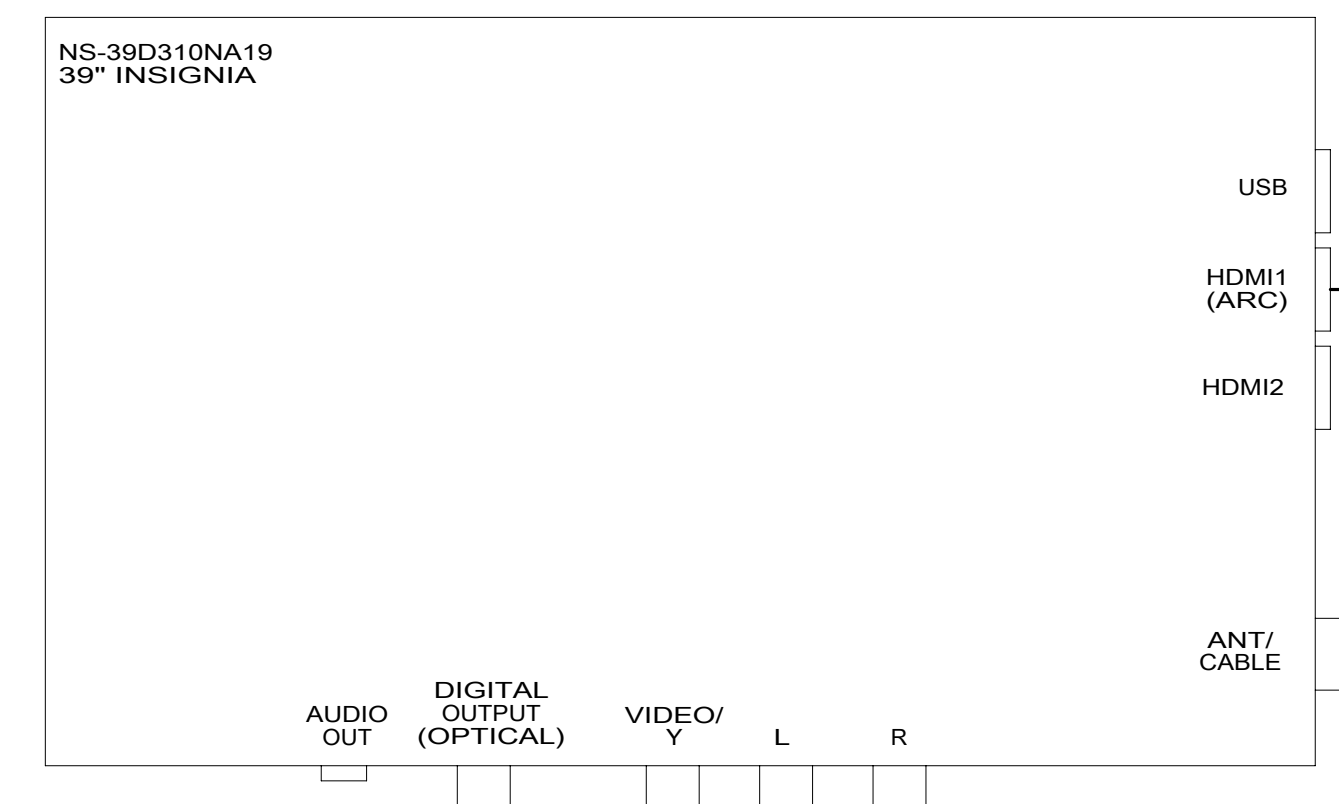
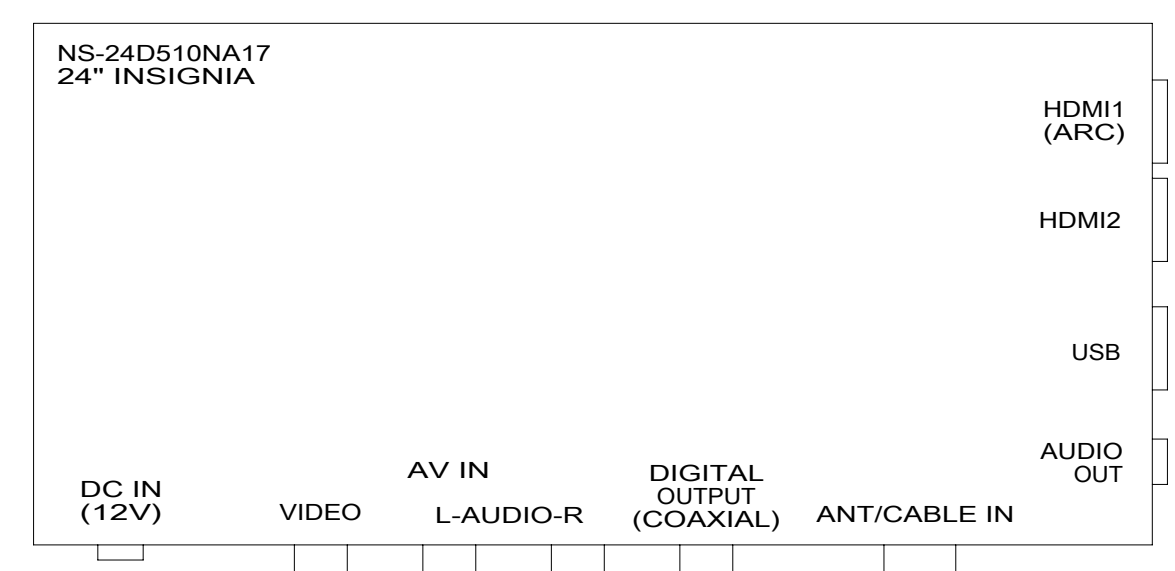
1 CABLE ASM-COAX 87105-12-009 (RED/RED)

2 CABLE ASM-COAX (GRN)

4 CABLE ASM-COAX (GRN)

COAX CONNECTOR

- NOTES:
- 4 CABLE PART OF WIRE ASM-COACH.
 - 3 SET SWITCH TO CHANNEL 3.
 - 2 CABLE ROUTED IN ROOF.
 - 1 CONNECTED TO THE REAR SIDE OF SATELLITE PREP PLATE.



- 42B TV, REAR-WITHOUT
- 68X TV - BEDROOM
- 299 ENTERTAINMENT CENTER EXT. W/O
- 1DF EXT TV ENTERTAINMENT CENTER
- 265 CODES/STANDARDS-CSA/CMVSS
- 1B1 CODES/STANDARDS USA

FOR ELECTRICAL TORQUE SPECIFICATIONS SEE DWG NO. 128783-01-000

FOR ELECTRICAL CALLOUTS SEE DWG NO. 121339-01-000

DESCRIPTION:		1B1 265	
WIRING INSTL-TV/DVD			
SHEET:	ITEM/PART NO.:	REV	
4 OF 4	000131235 / 32567501000		