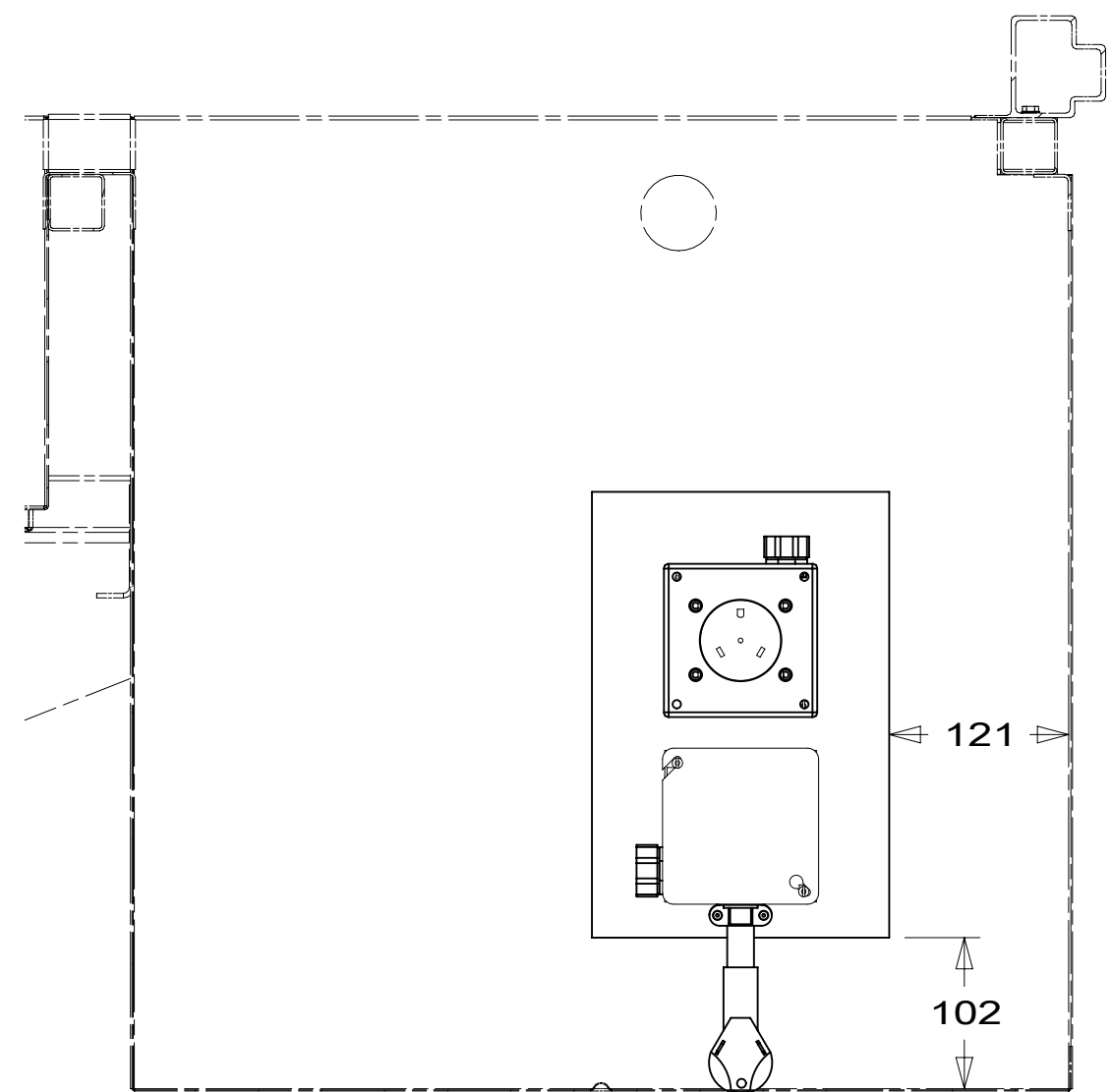
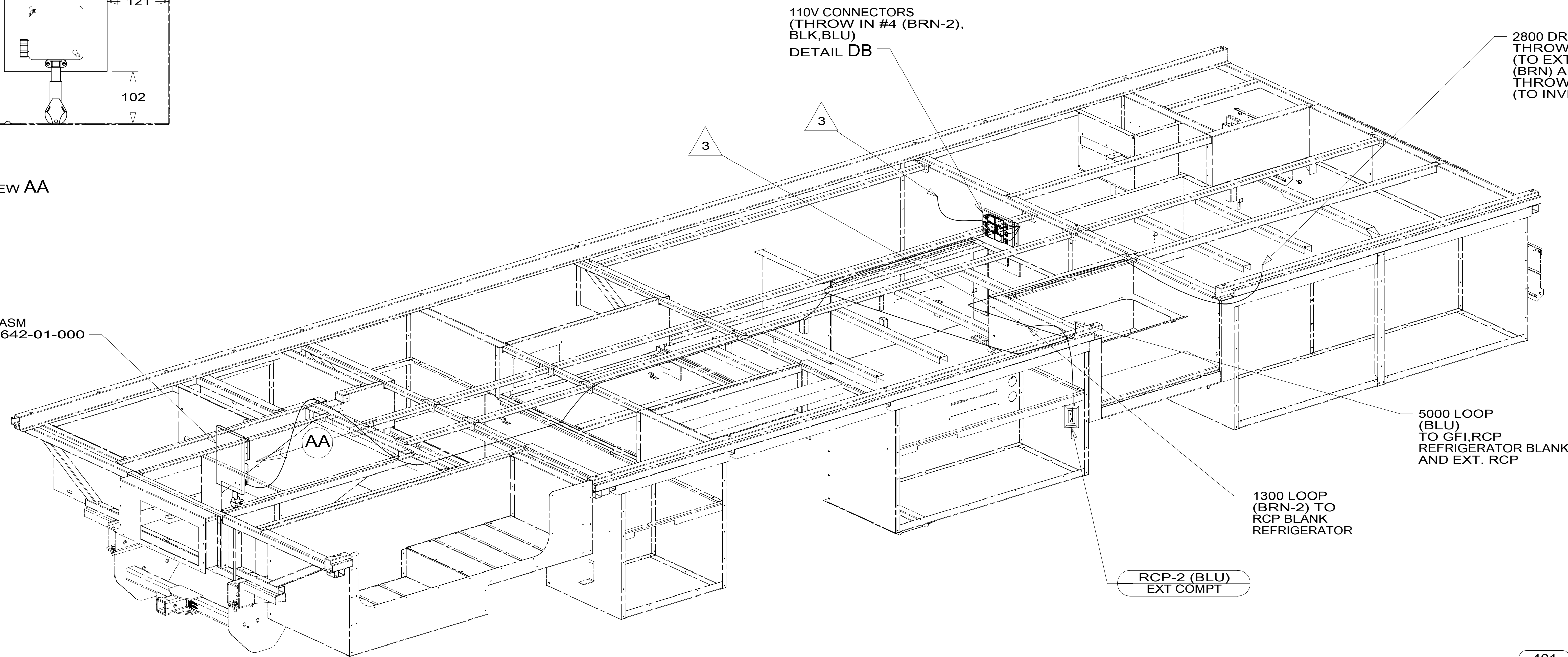


8 7 6 5 4 3 2 1



VIEW AA

POWER CORD BOX ASM  
000159448 / 327642-01-000



110V CONNECTORS  
(THROW IN #4 (BRN-2),  
BLK,BLU)  
DETAIL DB

2800 DROP  
THROW IN WIRE #2 (BLU)  
(TO EXT ENT CTR)  
(BRN) AND  
THROW IN #4 (BRN-2)  
(TO INVERTER) } 1DF }  
401

5000 LOOP  
(BLU)  
TO GFI,RCP,  
REFRIGERATOR BLANK  
AND EXT. RCP

1300 LOOP  
(BRN-2) TO  
RCP BLANK  
REFRIGERATOR

RCP-2 (BLU)  
EXT COMPT

- 401 INVERTER-DC/AC, 1000 WATT
- 1DF EXT TV ENTERTAINMENT CENTER
- 12D ELECTRICAL SYSTEM 30 AMP
- 265 CODES/STANDARDS-CSA/CMVSS
- 1B1 CODES/STANDARDS USA

1B1 265



DSNR:		ALL DIMENSIONS ARE IN MILLIMETERS	
DFFR:		MATERIAL:	
UNSPECIFIED TOLERANCES:		WEIGHT: (LBS)	FIRST USED:
WHOLE DIM (X)	: 3		18 E31BE
ONE-PLACE (X.X)	: 1.5		
TWO-PLACE (X.XX)	: 0.50		
ANGLE	: 1°		
REFER TO ES0018 FOR FASTENER TIGHTENING GUIDELINES			
DESCRIPTION: <b>WIRING INSTL-BODY, 110V</b>			
SHEET:	ITEM/PART NO.:	REV:	
1 OF 7	000129355 / 32522501000		

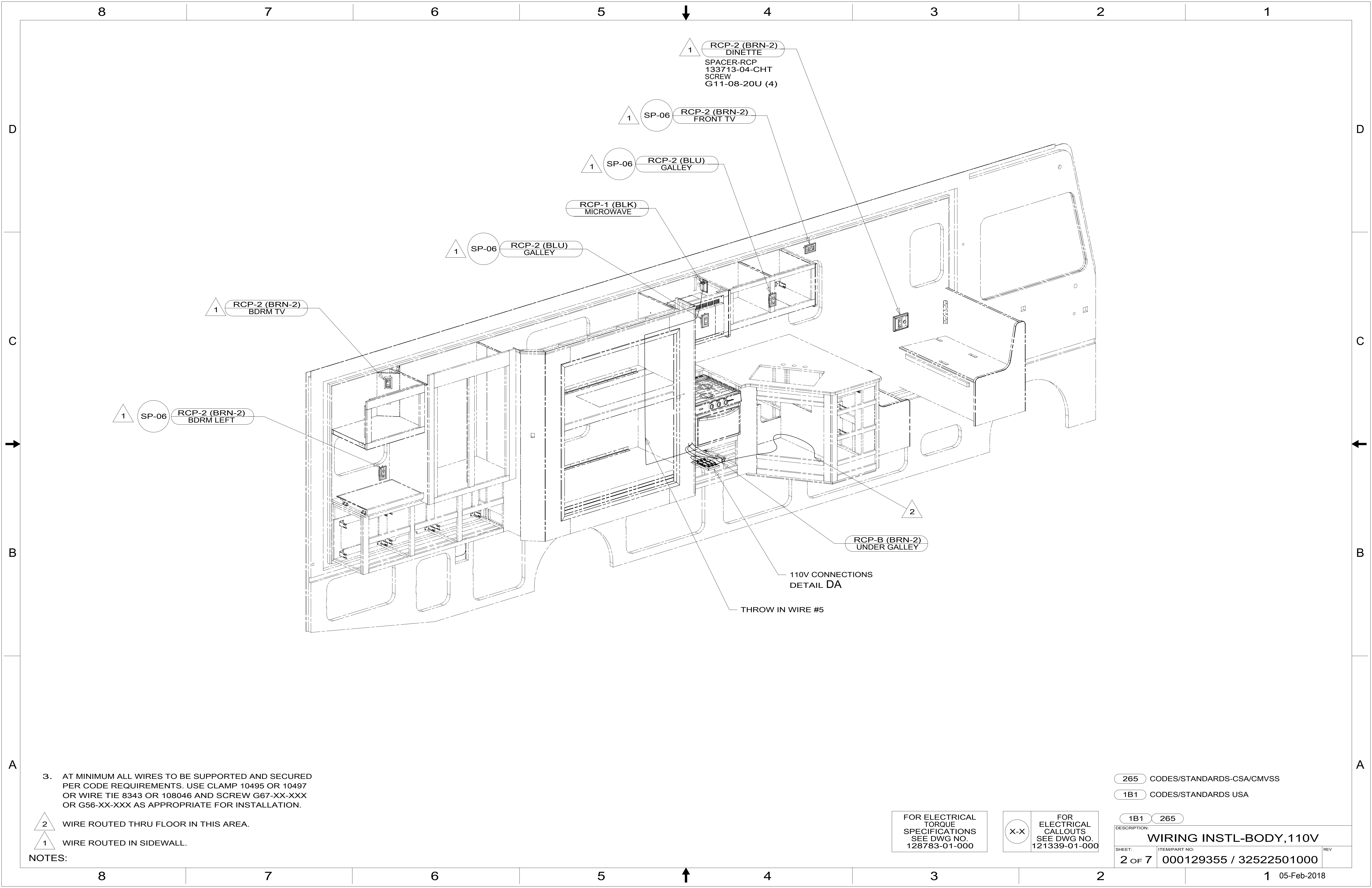
- 3 WIRE ROUTED THROUGH FLOOR IN THIS AREA.
- 2. AT MINIMUM ALL WIRES TO BE SUPPORTED AND SECURED PER CODE REQUIREMENTS. USE CLAMP 10495 OR 10497 OR WIRE TIE 8343 OR 108046 AND SCREW G67-XX-XXX OR G56-XX-XXX AS APPROPRIATE FOR INSTALLATION.
- 1. WIRES ROUTED UNDER FLOOR.

NOTES:

FOR ELECTRICAL TORQUE SPECIFICATIONS SEE DWG NO. 128783-01-000

FOR ELECTRICAL CALLOUTS SEE DWG NO. 121339-01-000

8 7 6 5 4 3 2 1 05-Feb-2018



1 RCP-2 (BRN-2)  
DINETTE  
SPACER-RCP  
133713-04-CHT  
SCREW  
G11-08-20U (4)

1 SP-06 RCP-2 (BRN-2)  
FRONT TV

1 SP-06 RCP-2 (BLU)  
GALLEY

RCP-1 (BLK)  
MICROWAVE

1 SP-06 RCP-2 (BLU)  
GALLEY

1 RCP-2 (BRN-2)  
BDRM TV

1 SP-06 RCP-2 (BRN-2)  
BDRM LEFT

RCP-B (BRN-2)  
UNDER GALLEY

110V CONNECTIONS  
DETAIL DA

THROW IN WIRE #5

3. AT MINIMUM ALL WIRES TO BE SUPPORTED AND SECURED PER CODE REQUIREMENTS. USE CLAMP 10495 OR 10497 OR WIRE TIE 8343 OR 108046 AND SCREW G67-XX-XXX OR G56-XX-XXX AS APPROPRIATE FOR INSTALLATION.

- 2 WIRE ROUTED THRU FLOOR IN THIS AREA.
- 1 WIRE ROUTED IN SIDEWALL.

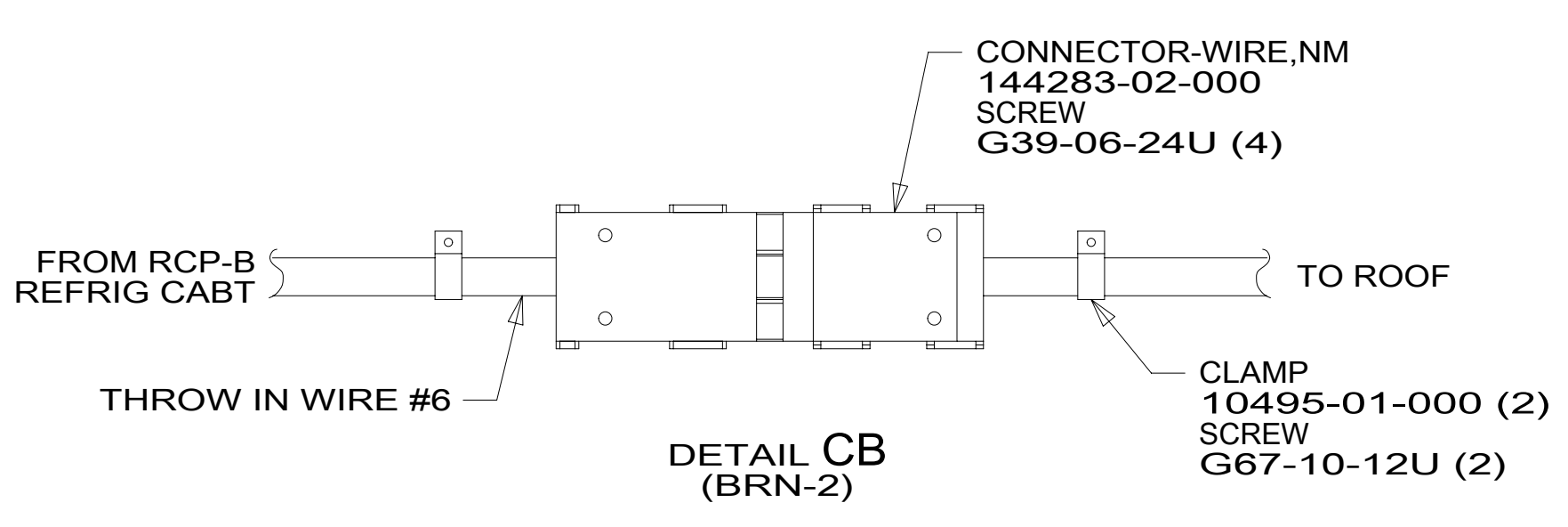
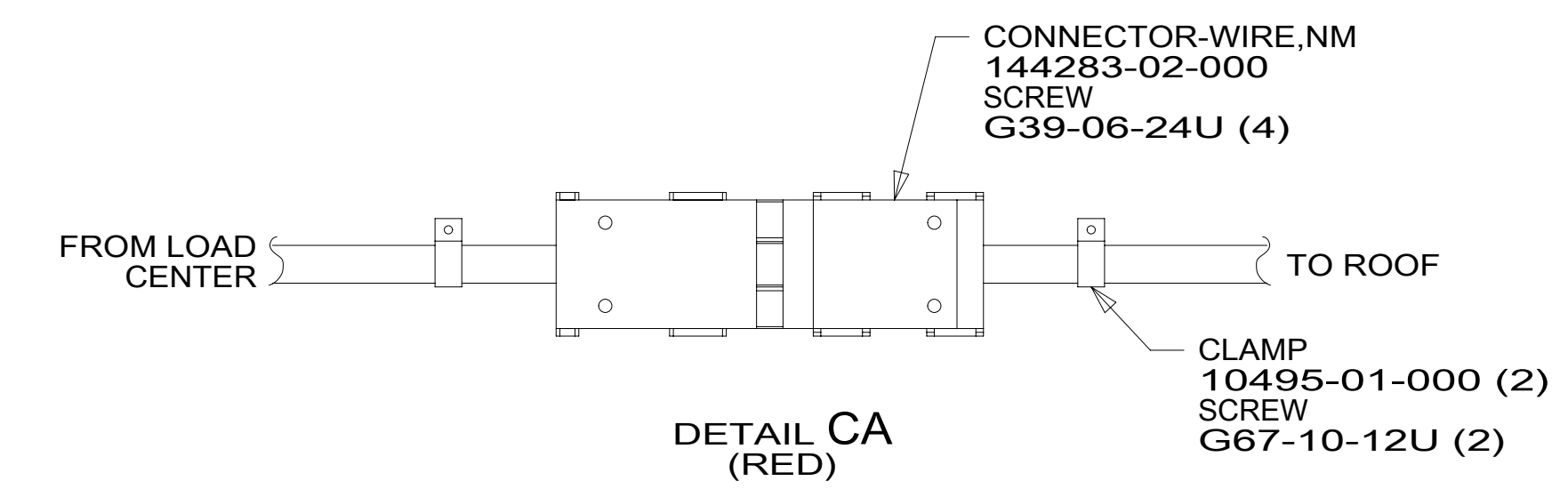
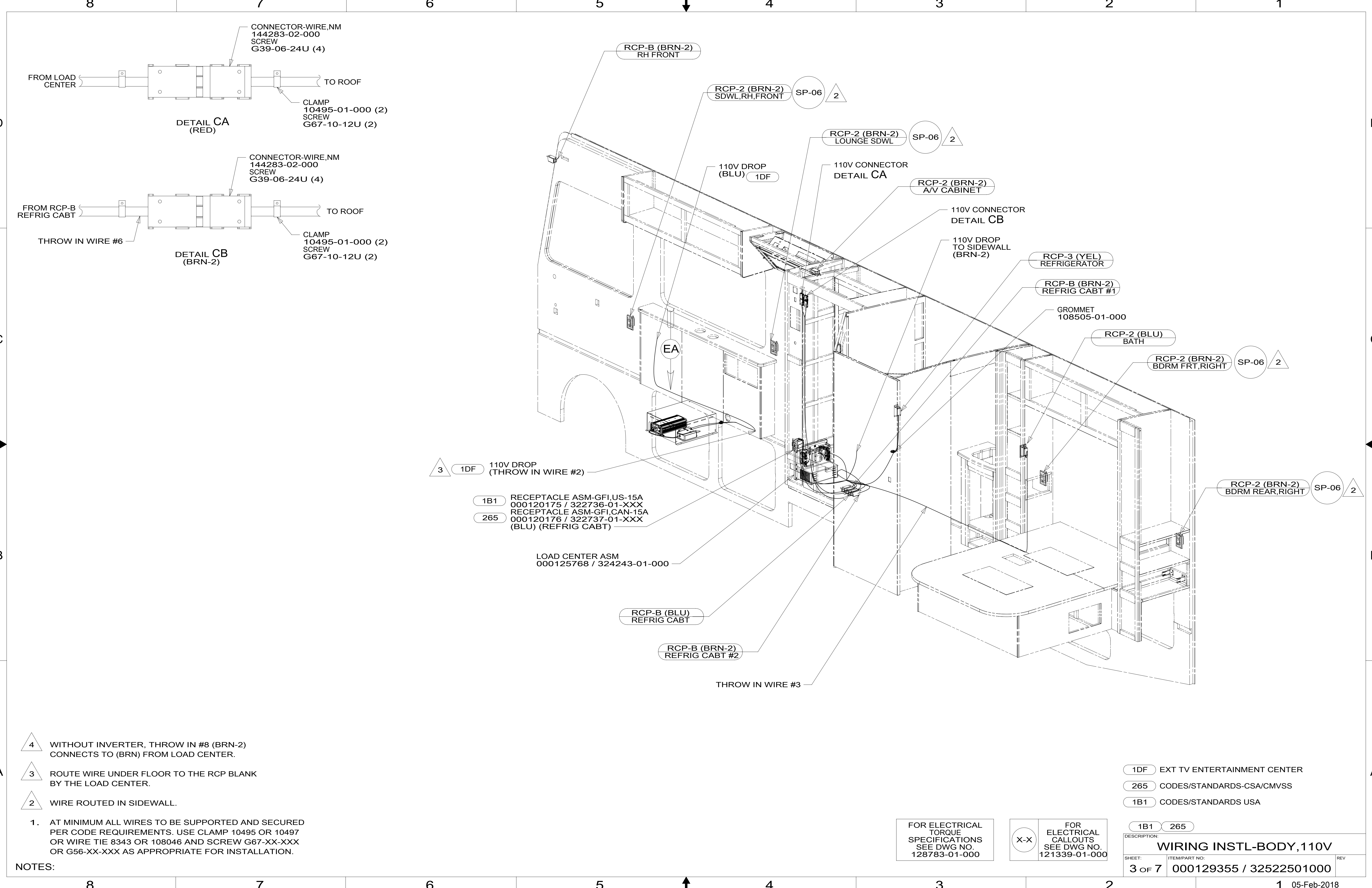
NOTES:

265 CODES/STANDARDS-CSA/CMVSS  
1B1 CODES/STANDARDS USA

FOR ELECTRICAL TORQUE SPECIFICATIONS SEE DWG NO. 128783-01-000

FOR ELECTRICAL CALLOUTS SEE DWG NO. 121339-01-000

DESCRIPTION:	
<b>WIRING INSTL-BODY, 110V</b>	
SHEET:	ITEM/PART NO. REV
2 OF 7	000129355 / 32522501000



3 1DF 110V DROP (THROW IN WIRE #2)

- 1B1 RECEPTACLE ASM-GFI, US-15A  
000120175 / 322736-01-XXX
- 265 RECEPTACLE ASM-GFI, CAN-15A  
000120176 / 322737-01-XXX  
(BLU) (REFRIG CABT)

LOAD CENTER ASM  
000125768 / 324243-01-000

RCP-B (BLU)  
REFRIG CABT

RCP-B (BRN-2)  
REFRIG CABT #2

THROW IN WIRE #3

- 4 WITHOUT INVERTER, THROW IN #8 (BRN-2) CONNECTS TO (BRN) FROM LOAD CENTER.
- 3 ROUTE WIRE UNDER FLOOR TO THE RCP BLANK BY THE LOAD CENTER.
- 2 WIRE ROUTED IN SIDEWALL.

1. AT MINIMUM ALL WIRES TO BE SUPPORTED AND SECURED PER CODE REQUIREMENTS. USE CLAMP 10495 OR 10497 OR WIRE TIE 8343 OR 108046 AND SCREW G67-XX-XXX OR G56-XX-XXX AS APPROPRIATE FOR INSTALLATION.

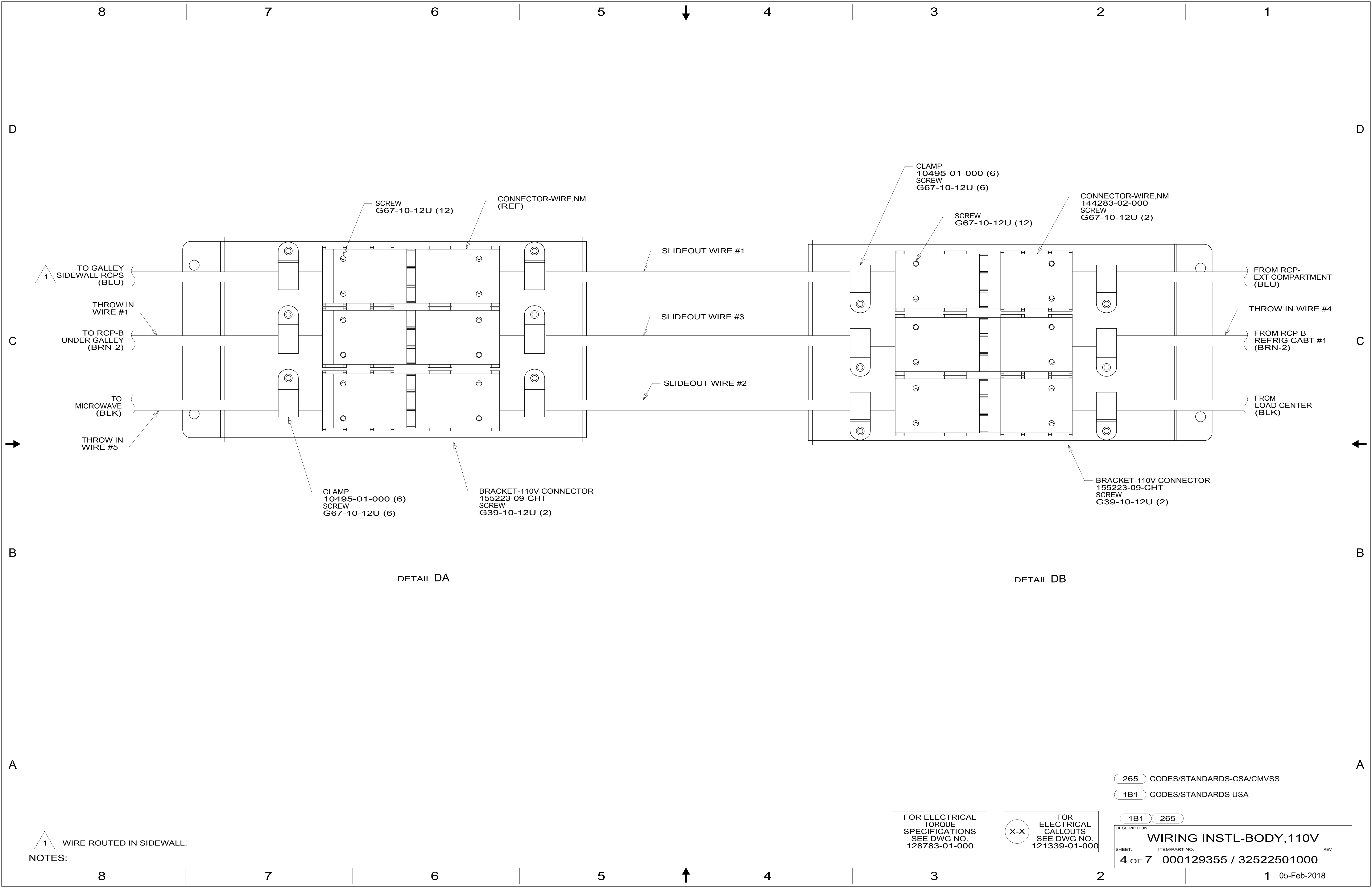
NOTES:

- 1DF EXT TV ENTERTAINMENT CENTER
- 265 CODES/STANDARDS-CSA/CMVSS
- 1B1 CODES/STANDARDS USA

FOR ELECTRICAL TORQUE SPECIFICATIONS SEE DWG NO. 128783-01-000

FOR ELECTRICAL CALLOUTS SEE DWG NO. 121339-01-000

DESCRIPTION:	
<b>WIRING INSTL-BODY, 110V</b>	
SHEET:	ITEM/PART NO. REV
3 OF 7	000129355 / 32522501000



DETAIL DA

DETAIL DB

1 WIRE ROUTED IN SIDEWALL.  
NOTES:

FOR ELECTRICAL TORQUE SPECIFICATIONS SEE DWG NO. 128783-01-000

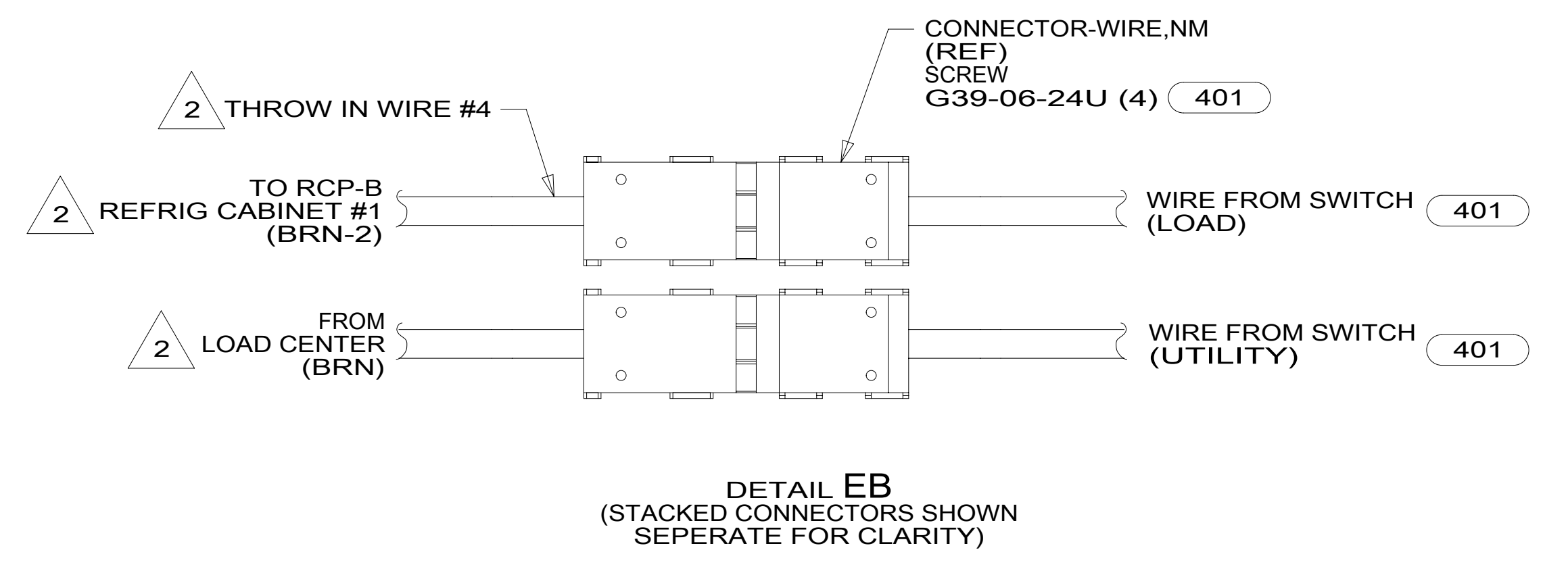
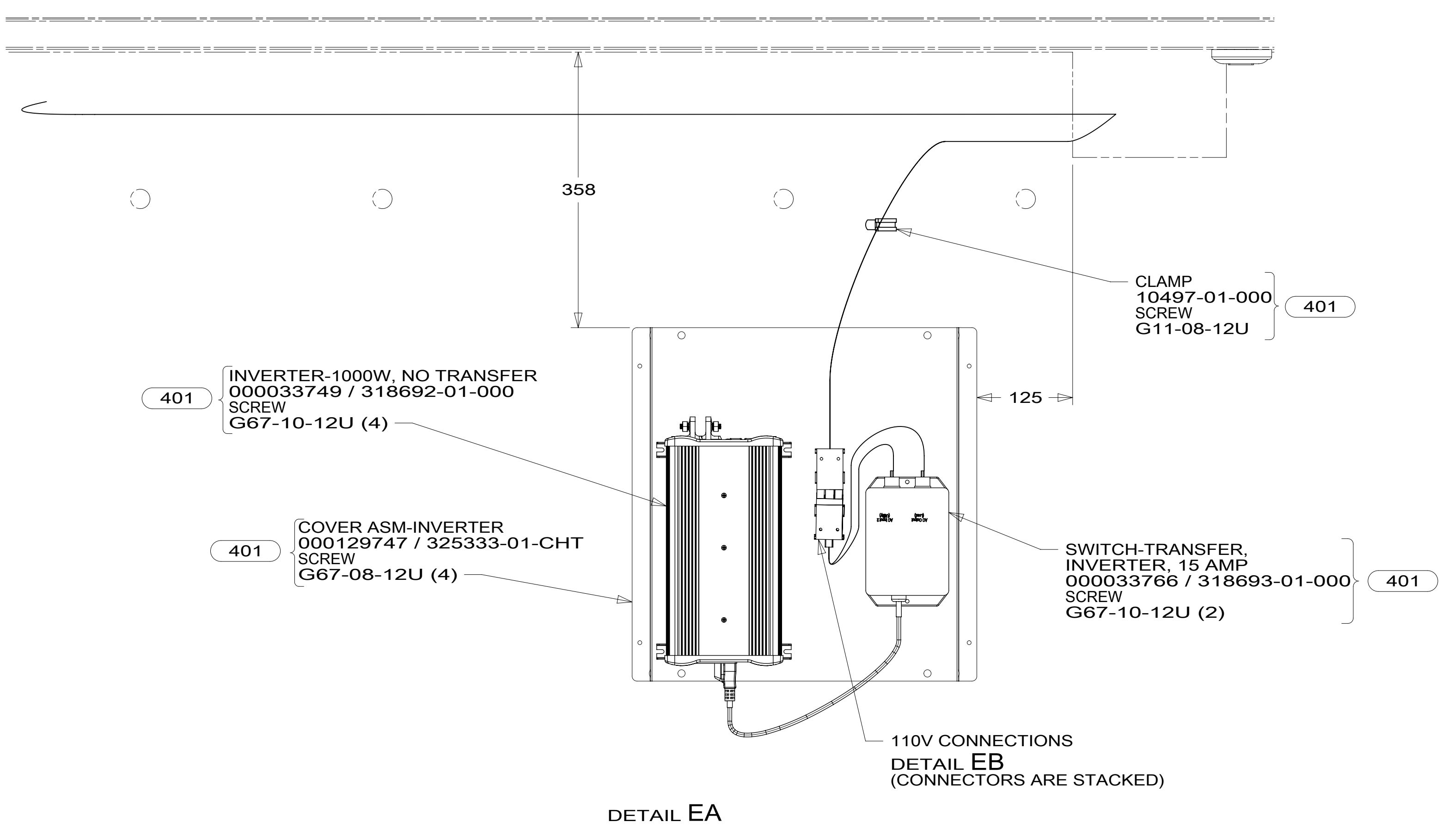
FOR ELECTRICAL CALLOUTS SEE DWG NO. 121339-01-000

- 265 CODES/STANDARDS-CSA/CMVSS
- 1B1 CODES/STANDARDS USA

DESCRIPTION:		1B1 265	
<b>WIRING INSTL-BODY, 110V</b>			
SHEET:	ITEM/PART NO.:	REV	
4 OF 7	000129355 / 32522501000		

8 7 6 5 4 3 2 1

D  
C  
B  
A



2 WITHOUT INVERTER, THROW IN WIRE #4 (BRN-2) CONNECTS TO (BRN) FROM LOAD CENTER.

1. IF NO INVERTER, SECURE CONNECTORS INSIDE SOFA CABINET.

NOTES:

FOR ELECTRICAL TORQUE SPECIFICATIONS SEE DWG NO. 128783-01-000

FOR ELECTRICAL CALLOUTS SEE DWG NO. 121339-01-000

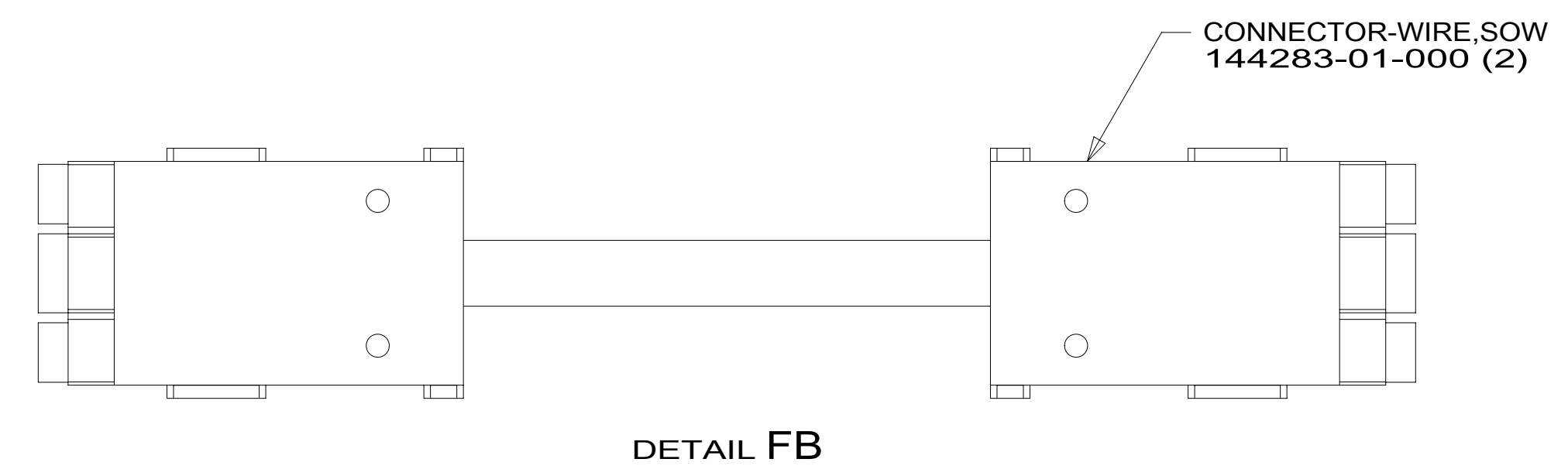
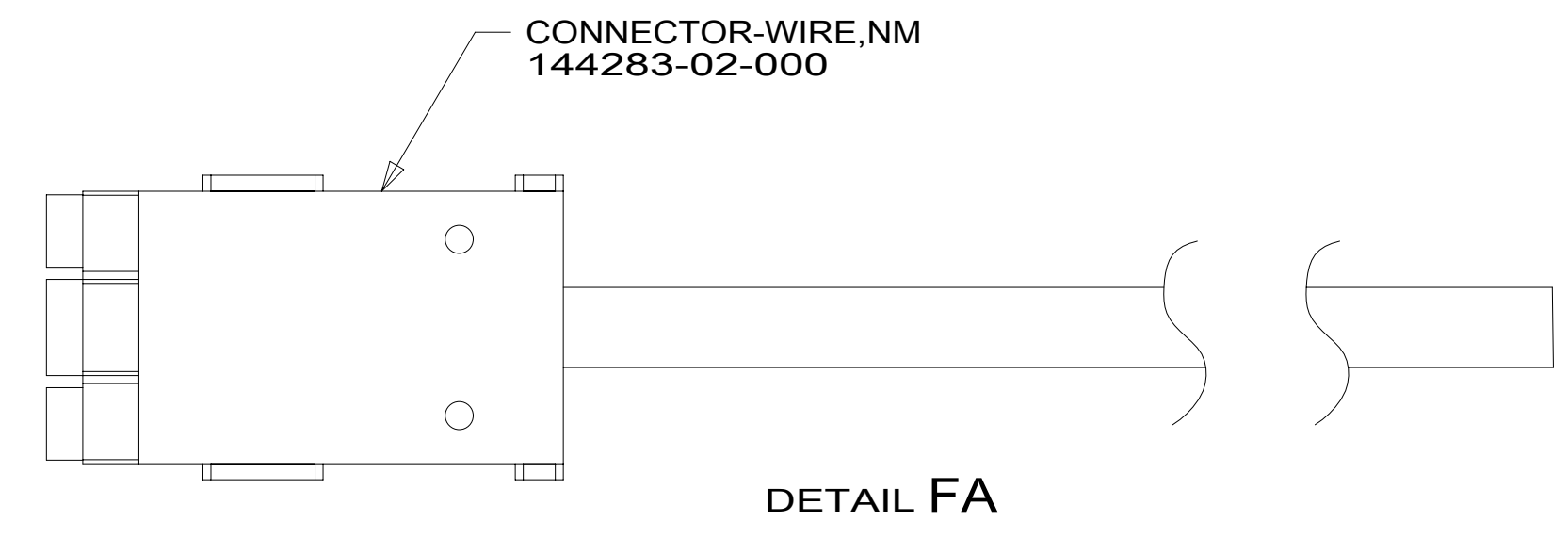
- 401 INVERTER-DC/AC, 1000 WATT
- 265 CODES/STANDARDS-CSA/CMVSS
- 1B1 CODES/STANDARDS USA

DESCRIPTION: <b>WIRING INSTL-BODY, 110V</b>		
SHEET: 5 OF 7	ITEM/PART NO: 000129355 / 32522501000	REV

8 7 6 5 4 3 2 1 05-Feb-2018

RED	1B1	136135-07-027	2
	265	136136-07-027	2
YEL	1B1	136131-05-020	
	265	136134-05-020	
BRN	1B1	136131-03-049	2
	265	136134-03-049	2
BLU	1B1	136131-02-070	2
	265	136134-02-070	2
MAIN	1B1	136137-01-075	4
	265	136138-01-075	4
BLK	1B1	136131-06-042	2
	265	136134-06-042	2
SLIDEOUT WIRE #1		136151-02-025	3
SLIDEOUT WIRE #2		136151-19-025	3
SLIDEOUT WIRE #3		136151-03-025	3
GROUND MAIN		178545-01-025	

THROW IN WIRE #1	1B1	136131-19-006	2
	265	136134-19-006	2
THROW IN WIRE #2	1B1	136131-02-062	1DF
	265	136134-02-062	1DF
THROW IN WIRE #3	1B1	136131-02-042	
	265	136134-02-042	
THROW IN WIRE #4	1B1	136131-19-084	2
	265	136134-19-084	2
THROW IN WIRE #5	1B1	136131-06-038	2
	265	136134-06-038	2
THROW IN WIRE #6	1B1	136131-19-027	2
	265	136134-19-027	2



4 COVER ONE END OF MAIN CABLE ASM WITH 1000 MM OF CONDUIT 091234-02-000. SECURE WITH TAPE 8363-01-000.

3 SEE DETAIL FB FOR CONNECTOR INSTALLATION.

2 SEE DETAIL FA FOR CONNECTOR INSTALLATION.

1. ALL GROUNDS WIRES TO BE COVERED WITH TUBING 8041-02-000.

NOTES:

- 401 INVERTER-DC/AC, 1000 WATT
- 1DF EXT TV ENTERTAINMENT CENTER
- 12D ELECTRICAL SYSTEM 30 AMP
- 265 CODES/STANDARDS-CSA/CMVSS
- 1B1 CODES/STANDARDS USA

FOR ELECTRICAL TORQUE SPECIFICATIONS SEE DWG NO. 128783-01-000

FOR ELECTRICAL CALLOUTS SEE DWG NO. 121339-01-000

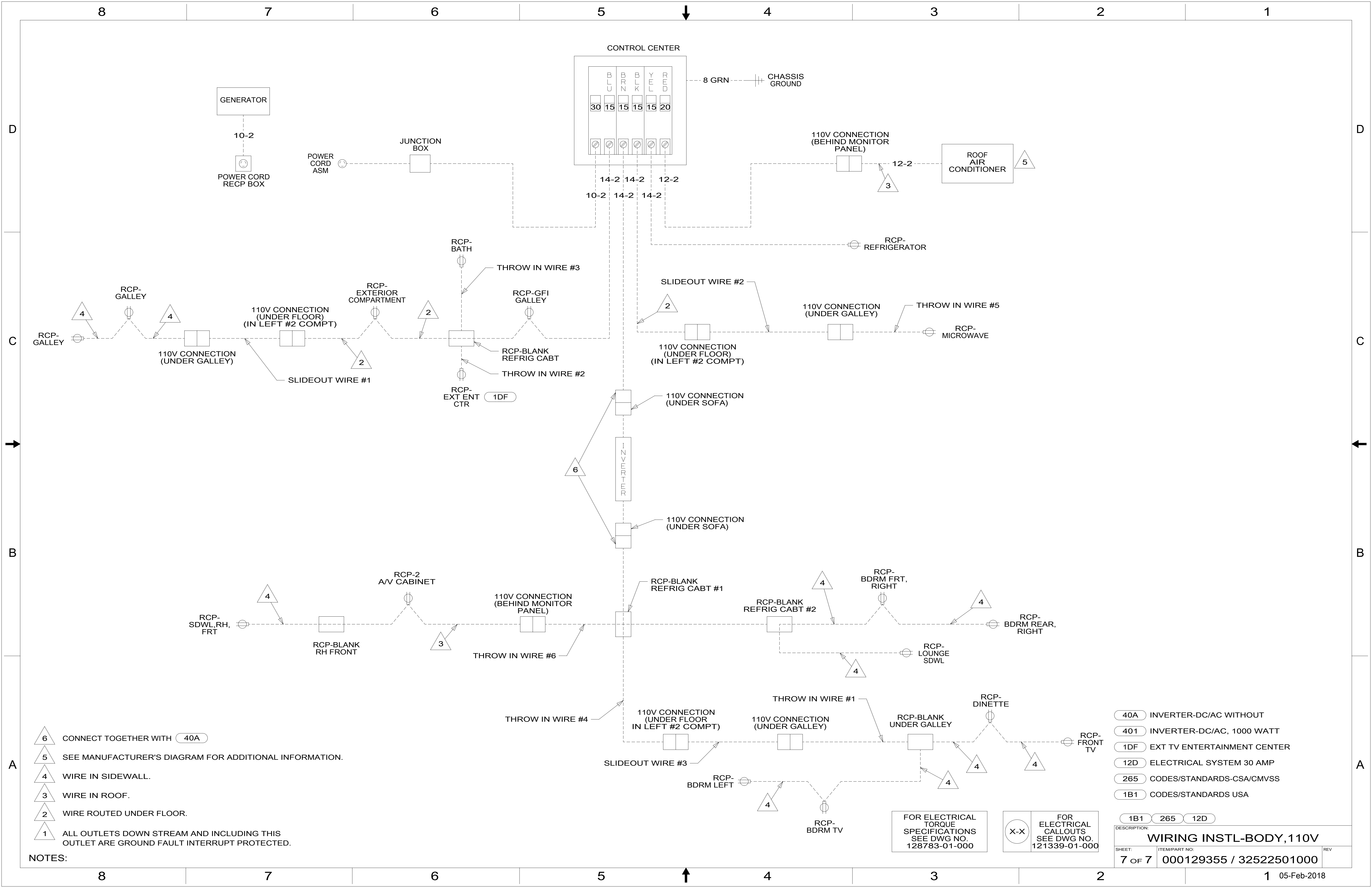
DESCRIPTION: 1B1 265

**WIRING INSTL-BODY, 110V**

SHEET: 6 OF 7 ITEM/PART NO.: 000129355 / 32522501000 REV

1 05-Feb-2018





- NOTES:
- 6 CONNECT TOGETHER WITH 40A
  - 5 SEE MANUFACTURER'S DIAGRAM FOR ADDITIONAL INFORMATION.
  - 4 WIRE IN SIDEWALL.
  - 3 WIRE IN ROOF.
  - 2 WIRE ROUTED UNDER FLOOR.
  - 1 ALL OUTLETS DOWN STREAM AND INCLUDING THIS OUTLET ARE GROUND FAULT INTERRUPT PROTECTED.

- 40A INVERTER-DC/AC WITHOUT
- 401 INVERTER-DC/AC, 1000 WATT
- 1DF EXT TV ENTERTAINMENT CENTER
- 12D ELECTRICAL SYSTEM 30 AMP
- 265 CODES/STANDARDS-CSA/CMVSS
- 1B1 CODES/STANDARDS USA

FOR ELECTRICAL TORQUE SPECIFICATIONS SEE DWG NO. 128783-01-000

FOR ELECTRICAL CALLOUTS SEE DWG NO. 121339-01-000

DESCRIPTION: <b>WIRING INSTL-BODY, 110V</b>		
SHEET: 7 OF 7	ITEM/PART NO: 000129355 / 32522501000	REV