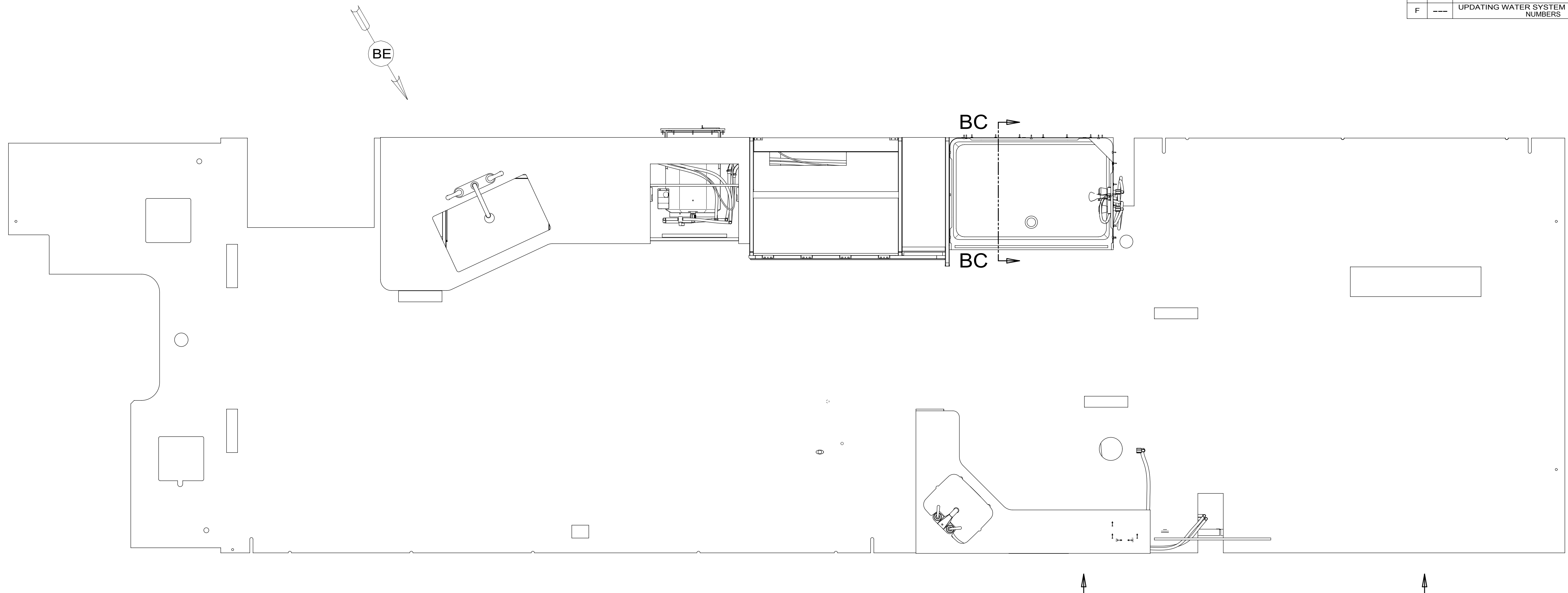


REV	ZONE	REVISION RECORD	DATE	DFTR-ORIG
A	---	INITIAL RELEASE	9-21-17	8378-4799
B	SHT3	325879-01-CHT WAS 315236-01-CHT	10/01/17	9080-0750
C	SHT2	2750 WAS 2570	11/18/17	9080-3660
D	---	SEE ECN FOR DETAILS	12-18-17	8378-4799
E	---	UPDATES	01/30/18	9080-1600
F	---	UPDATING WATER SYSTEM PARTS TO NEW NUMBERS	03/12/18	9080-1600



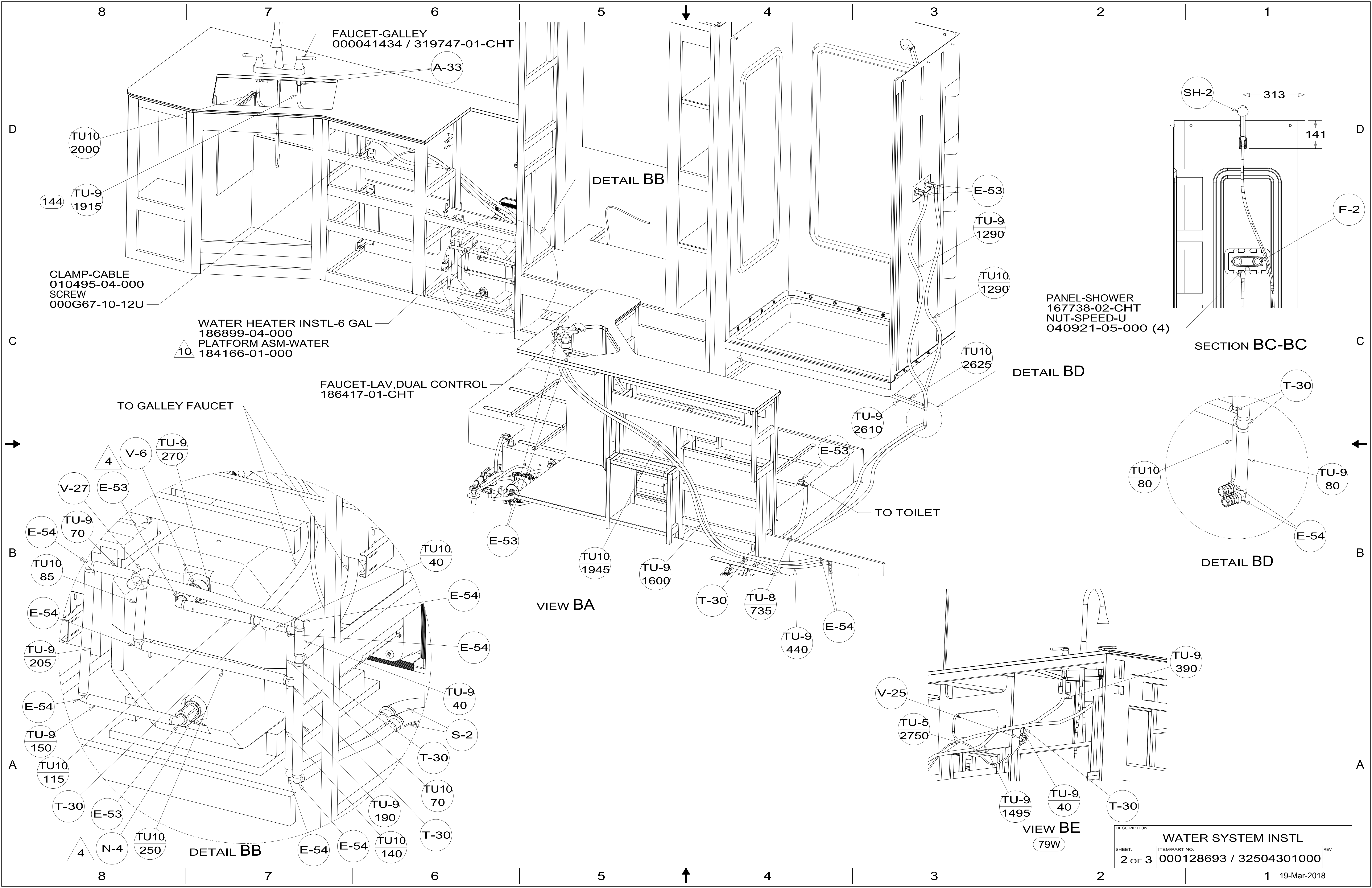
- 10. FASTEN PLATFORM TO FLOOR AFTER SIDEWALL IS SET AND HEATER IS ATTACHED TO WALL.
- 9. ALL CRIMP FITTINGS TO 3/4" PEX TUBING REQUIRE 3/4" CLAMP 000156247 / 326668-01-000.
- 8. ALL CRIMP FITTINGS TO 1/2" PEX TUBING REQUIRE 1/2" CLAMP 000156249 / 326670-01-000.
- 7. ALL CRIMP FITTINGS TO 5/8" FLEX TUBING REQUIRE 5/8" CLAMP 000156248 / 326669-01-000.
- 6. LABEL HOT AND COLD SUPPLY TUBES AND TAPE FITTING TO TUBE BEFORE CABINET SET TO PREVENT MOVEMENT.
- 5. ADD PIPE WRAP (LADDER SCRAP 110157-02-000) INSULATION.
- 4. ADD TEFLON TAPE 010405-02-000.
- 3. ALL TUBING TO BE SECURED AT 1200 INTERVALS MAXIMUM WITH CLAMP 010495-01-000 AND SCREW 000G67-10-12U OR EQUIVALENT.
- 2. TUBING TO BE INSTALLED WITH SUFFICIENT SLOPE TO PROVIDE DRAINAGE TO NEAREST VALVE.
- 1. PLASTIC FITTINGS TO BE SEALED WITH SEALANT 084456-01-000.

- 79W REFRIGERATOR-4 DOOR
- 144 REFRIGERATOR-DOUBLE DOOR

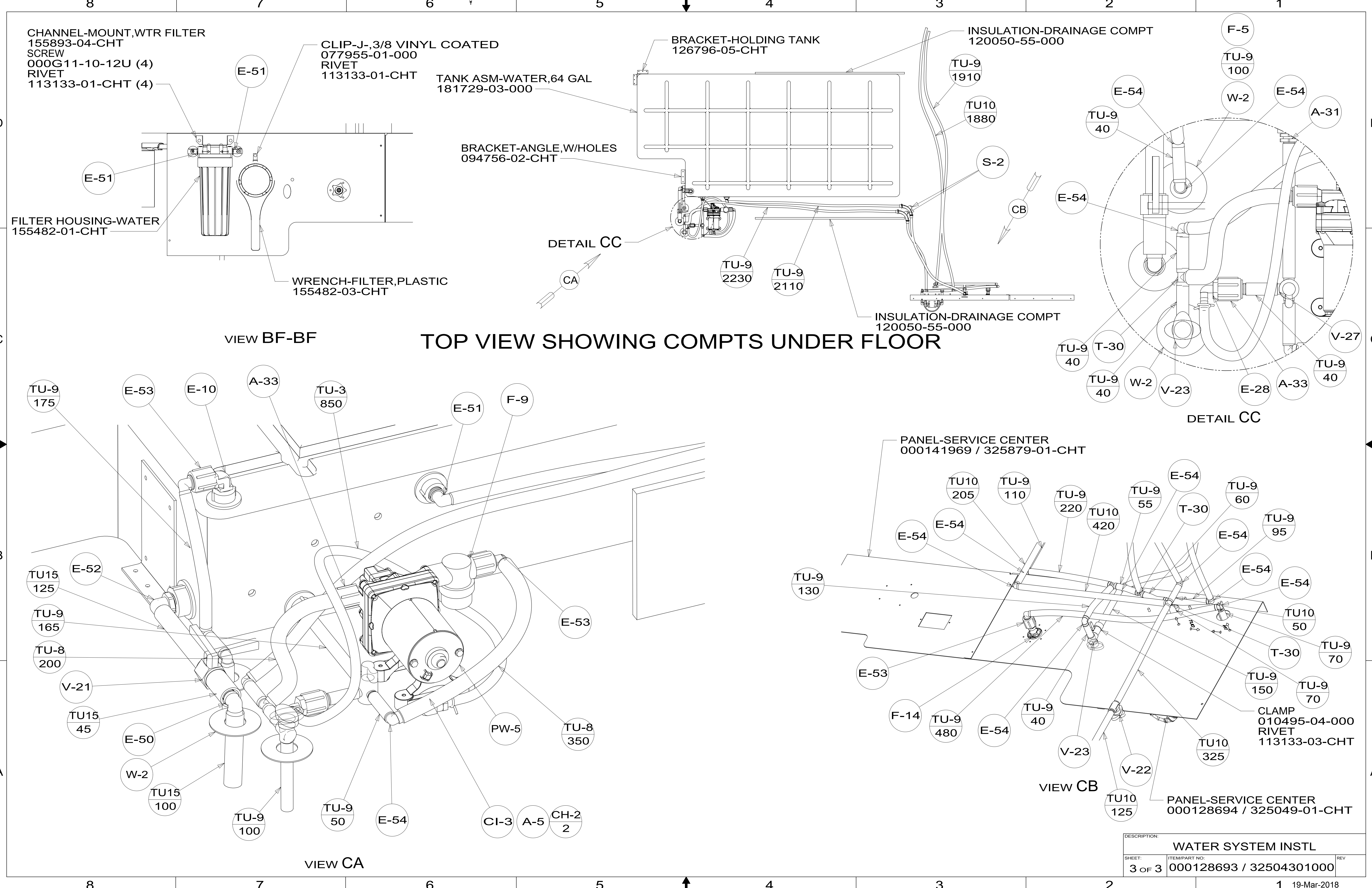
WINNEBAGO
COPYRIGHT 2018 WINNEBAGO INDUSTRIES, INC.

DSNR:		ALL DIMENSIONS ARE IN MILLIMETERS	
DFTR:		MATERIAL:	
UNSPECIFIED TOLERANCES:			
WHOLE DIM (X)	: 3		
ONE-PLACE (X.X)	: 1.5		
TWO-PLACE (X.XX)	: 0.50		
ANGLE	: 1°		
REFER TO ES0018 FOR FASTENER TIGHTENING GUIDELINES		WEIGHT: (LBS)	FIRST USED: (REF)
			18 E32YE
DESCRIPTION: WATER SYSTEM INSTL			
SHEET: 1 OF 3	ITEM/PART NO: 000128693 / 32504301000	REV:	

X-X
FOR WATER CALLOUTS SEE DWG NO. 000209446 / 303369-01-000



DESCRIPTION:		
WATER SYSTEM INSTL		
SHEET:	ITEM/PART NO:	REV
2 OF 3	000128693 / 32504301000	



DESCRIPTION:		
WATER SYSTEM INSTL		
SHEET:	ITEM/PART NO.:	REV
3 OF 3	000128693 / 32504301000	