

FRONT
OF
COACH

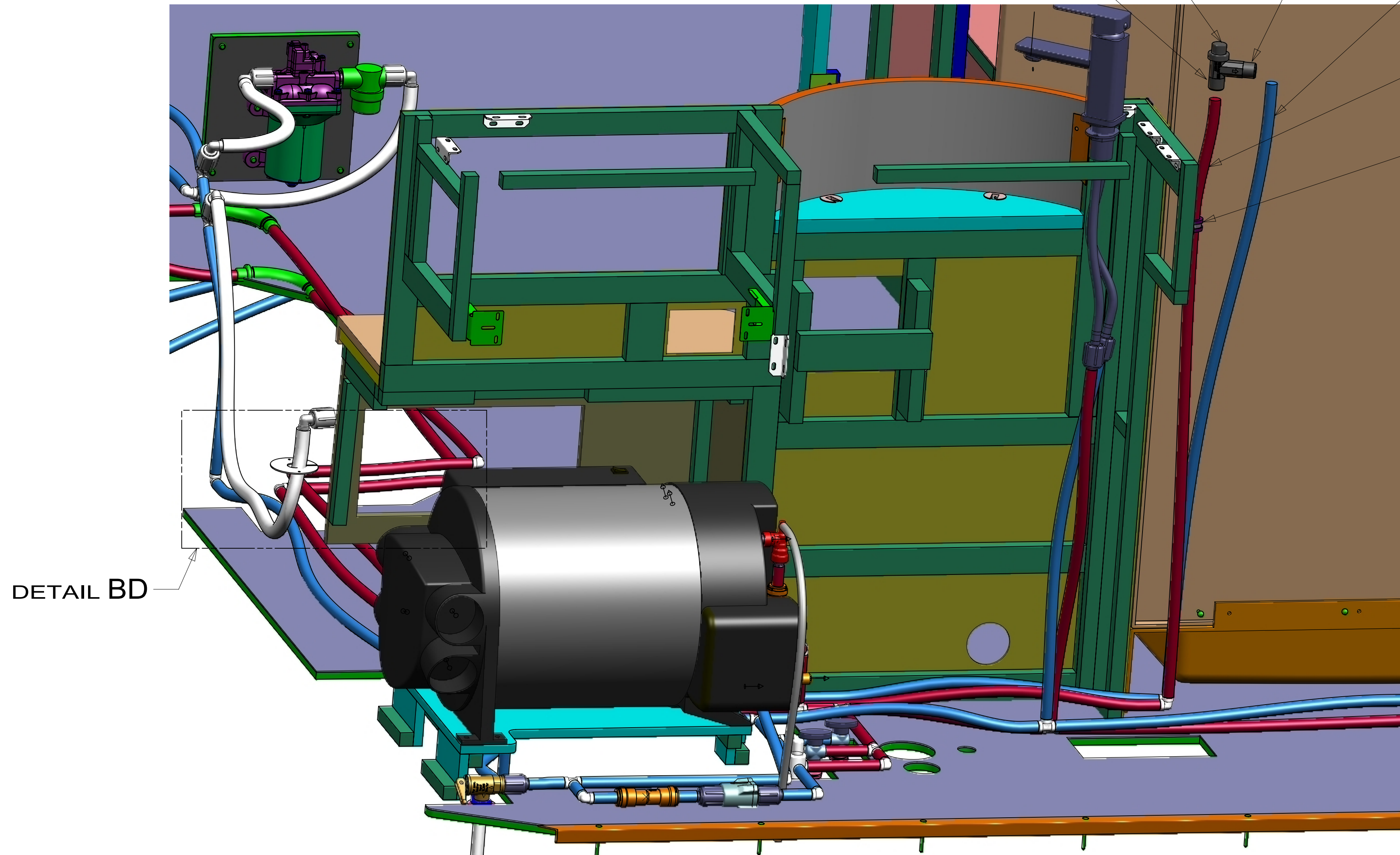
- NOTES:
- 1. PLASTIC FITTINGS TO BE SEALED WITH SEALANT 084456-01-000.
 - 2. TUBING TO BE INSTALLED WITH SUFFICIENT SLOPE TO PROVIDE DRAINAGE TO NEAREST VALVE.
 - 3. ALL TUBING TO BE SECURED AT 1200 INTERVALS MAXIMUM WITH CLAMP 010495-01-000 AND SCREW 000G67-10-12U OR EQUIVALENT.
 - 4. ADD TEFLON TAPE 010405-02-000.
 - 5. ADD PIPE WRAP (LADDER SCRAP 110157-02-000) INSULATION.
 - 6. LABEL HOT AND COLD SUPPLY TUBES AND TAPE FITTING TO TUBE BEFORE CABINET SET TO PREVENT MOVEMENT.
 - 7. ALL CRIMP FITTINGS TO 5/8" PEX TUBING REQUIRE 5/8" CLAMP 000156248 / 326669-01-000.
 - 8. ALL CRIMP FITTINGS TO 1/2" PEX TUBING REQUIRE 1/2" CLAMP 000156249 / 326670-01-000.
 - 9. PARTS TO BE ASSEMBLED AND ABLE TO BE REMOVED AND STORED AS A SINGLE ASM.
 - 10. SECURE VALVE HANDLE W/SILICOLN

X-X

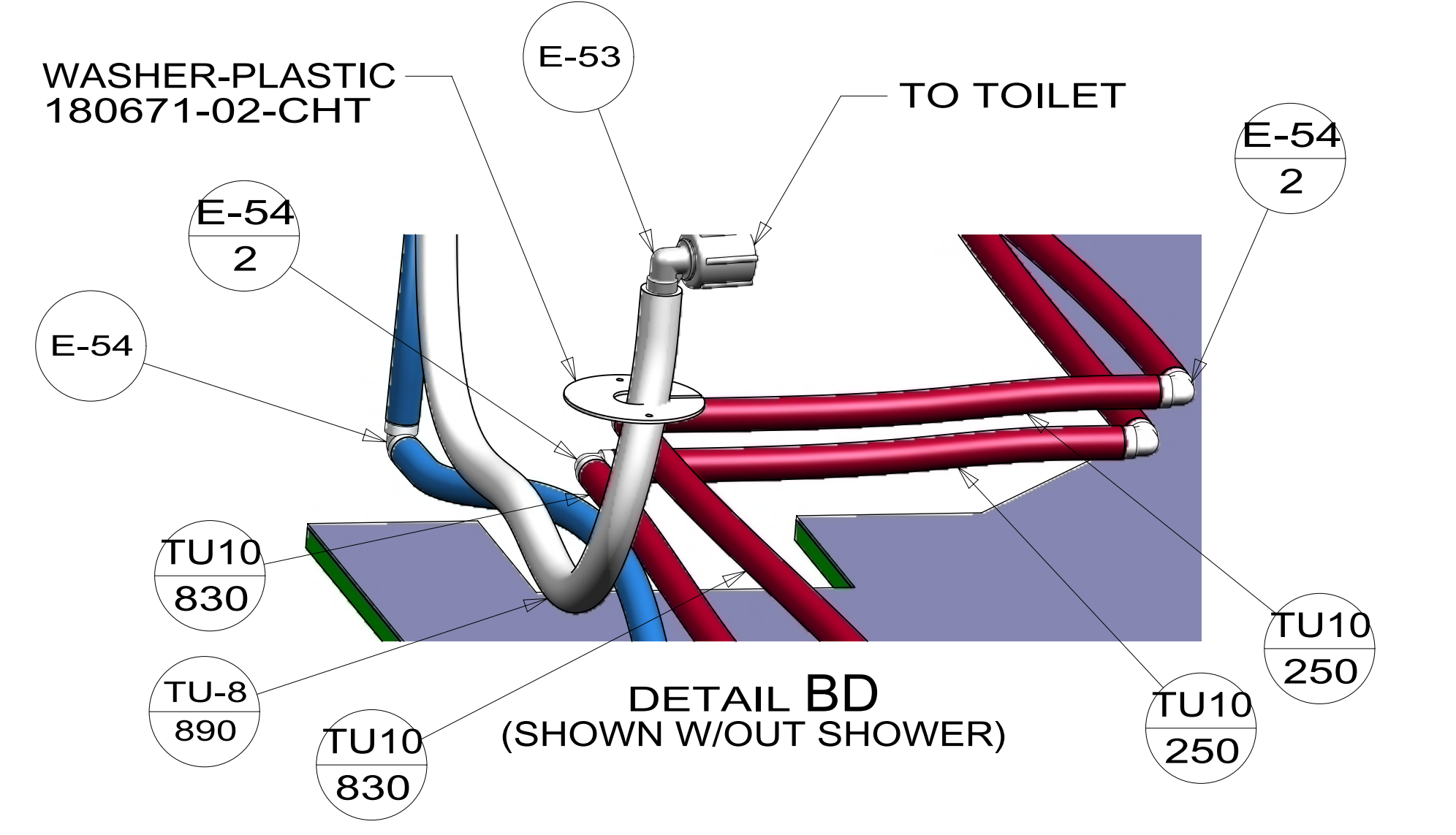
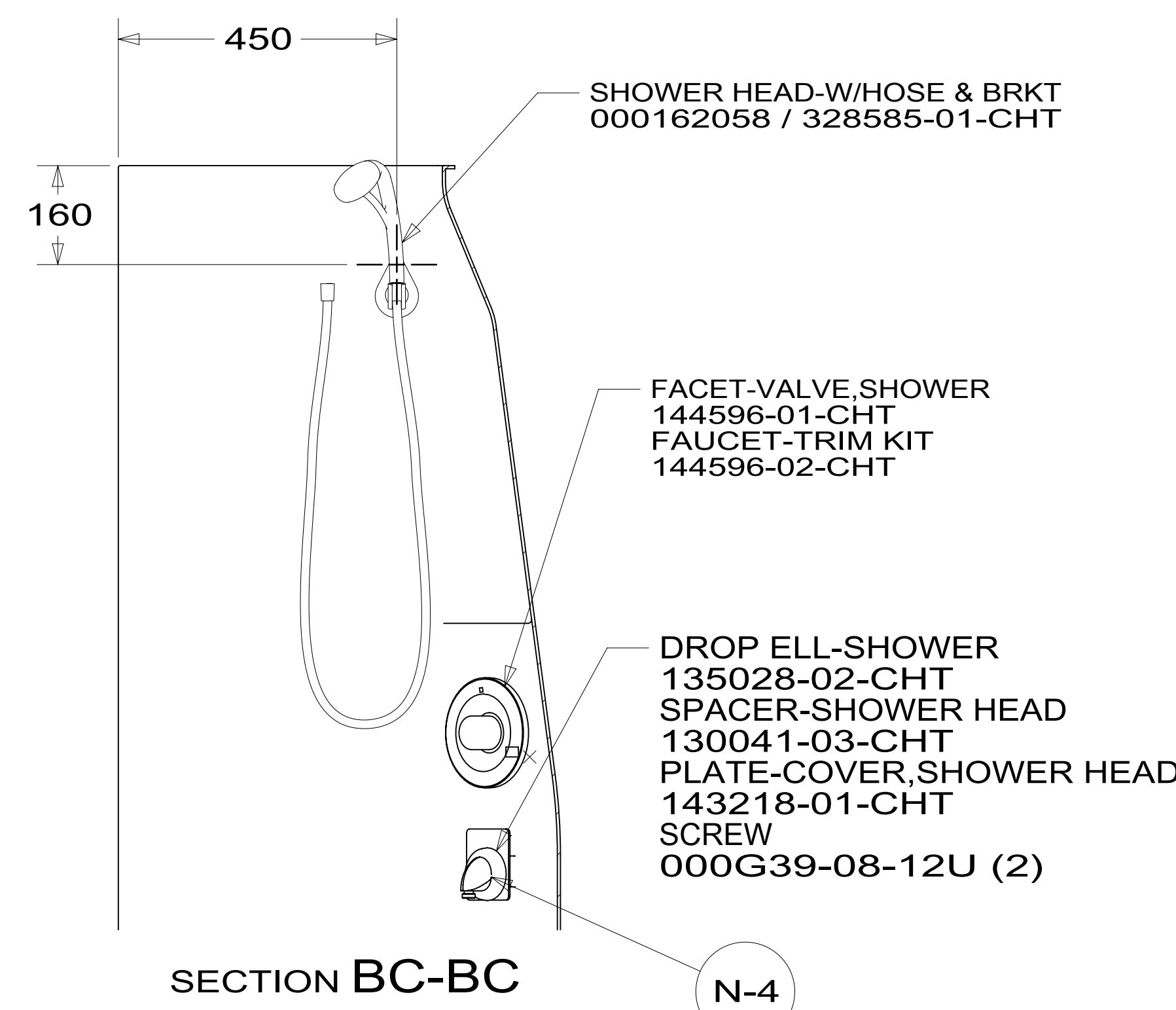
FOR
WATER
CALLOUTS
SEE DWG NO.
000209446 /
303369-01-000

WINNEBAGO [®]		COPYRIGHT 2018 WINNEBAGO INDUSTRIES, INC.	
DSNR:		ALL DIMENSIONS ARE IN MILLIMETERS	
DFT:		MATERIAL:	
UNSPECIFIED TOLERANCES:		WEIGHT: (LBS)	FIRST USED: (REF)
WHOLE DIM (X)	± 3		18 170M
ONE-PLACE (X.X)	± 1.5		
TWO-PLACE (X.XX)	± 0.50		
ANGLE	± 1°		
REFER TO ES0018 FOR FASTENER TIGHTENING GUIDELINES			
DESCRIPTION: WATER SYSTEM INSTL			
SHEET:	ITEM/PART NO:	REV:	
1 OF 5	000128487 / 32498201000		
REF:		1 19-Oct-2018	

BREAKER-VACUUM,FLUSHING SYS
000030488 / 316731-01-000
(MUST BE MOUNTED ABOVE
TOILET FLOOD LEVEL)



VIEW BA



DESCRIPTION:		
WATER SYSTEM INSTL		
SHEET:	ITEM/PART NO:	REV
2 OF 5	000128487 / 32498201000	

