

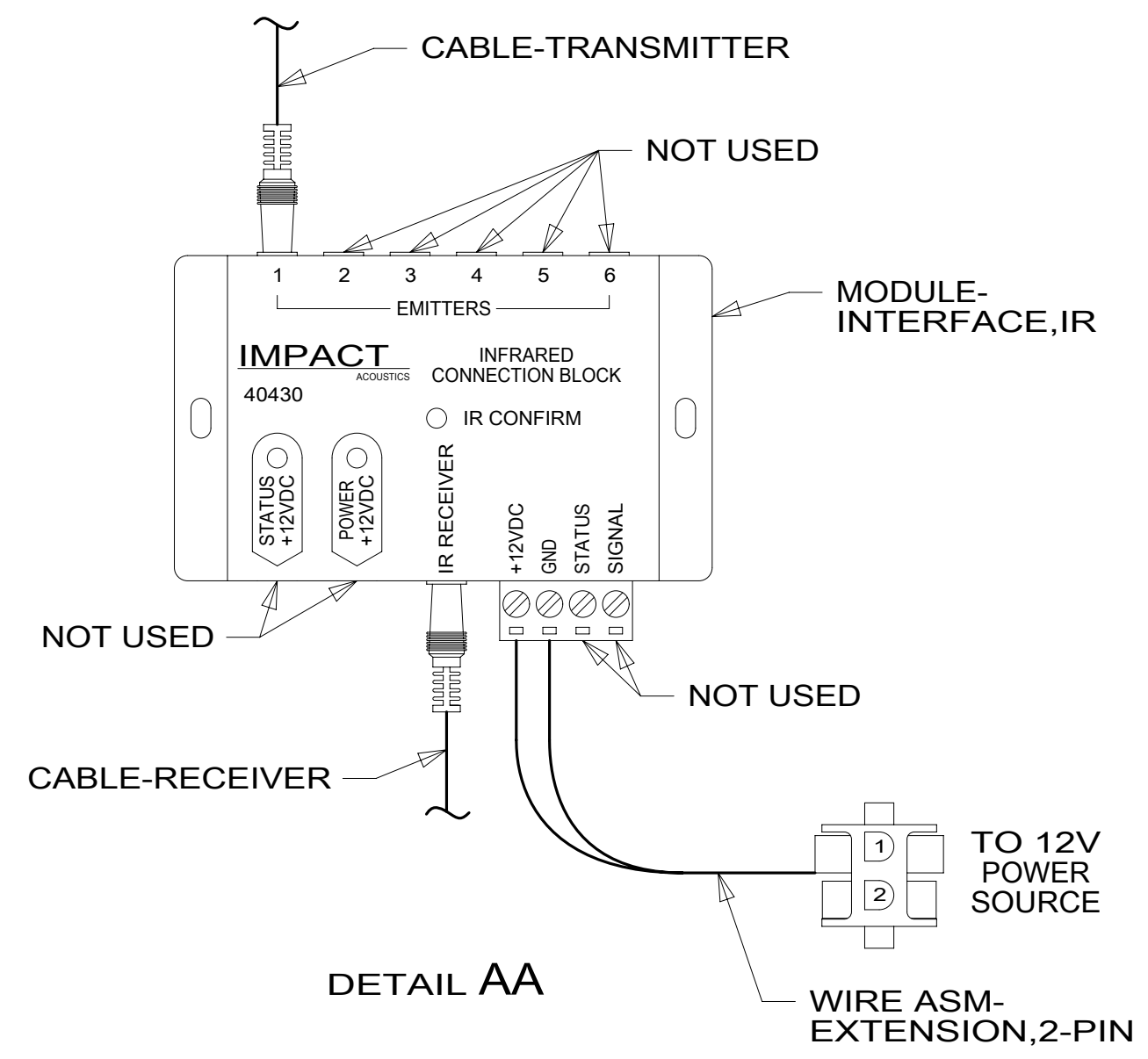
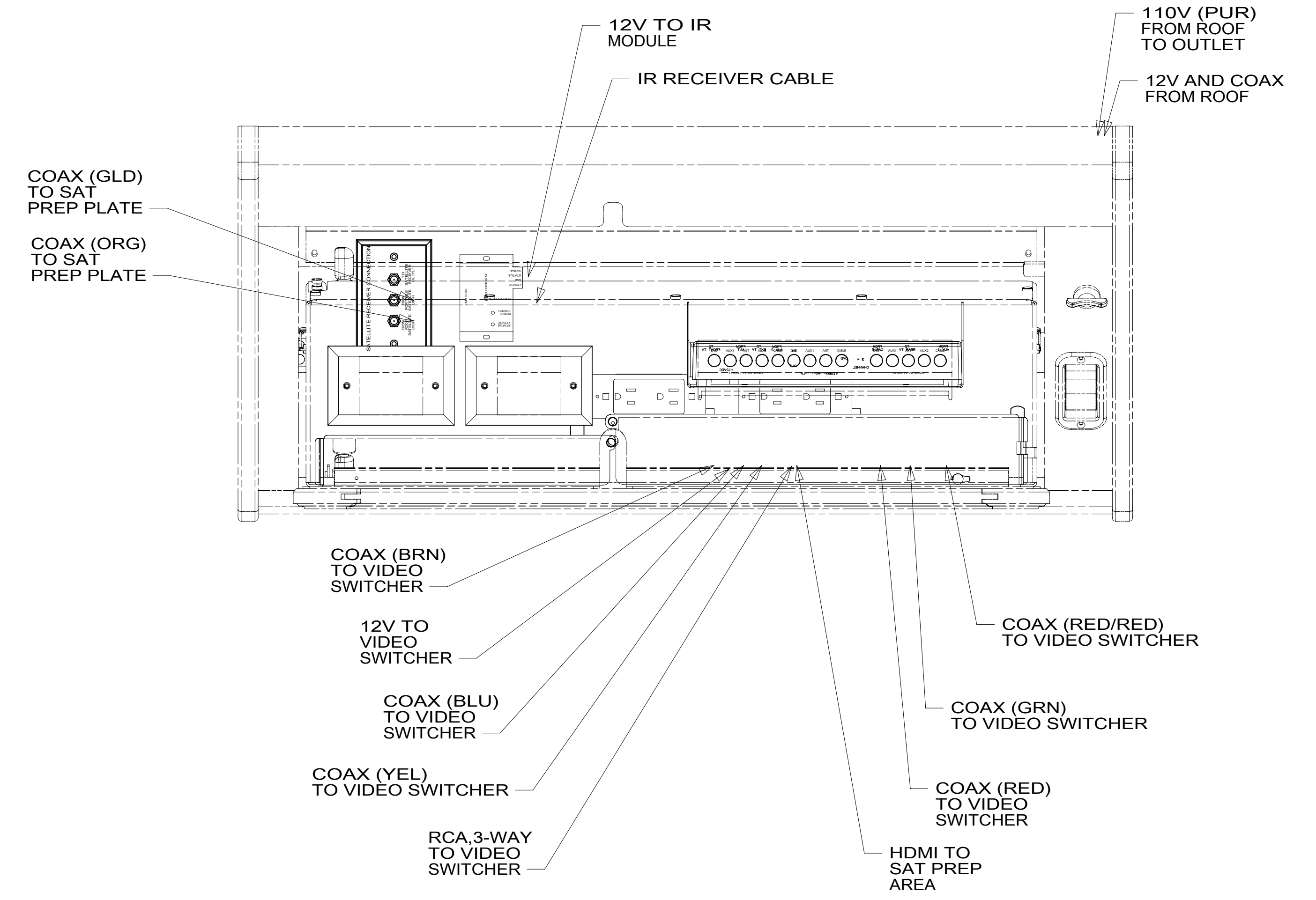
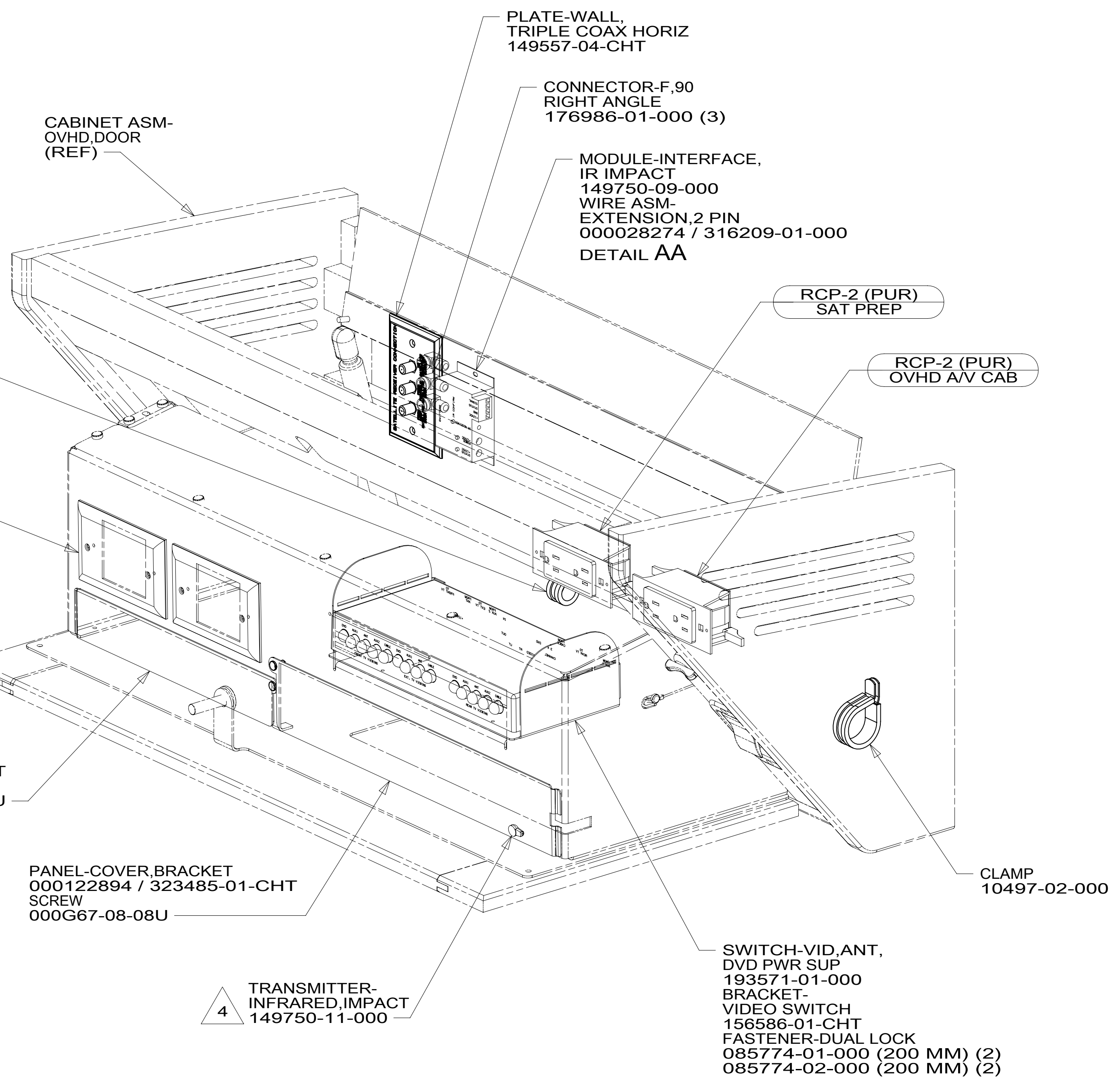
8 7 6 5 4 3 2 1

D

C

B

A



- 4 TAPE IR TRANSMITTER TO BACK OF COVER PANEL 194672-02-CHT USING TAPE 8363-01-000.
3. WHERE WIRES PASS THROUGH HOLES IN STEEL AND NOT OTHERWISE PROTECTED, USE GROMMET 92908-02-000.
2. ALL WIRES TO BE SECURED WITH CLAMP 10495-01-000 OR CLIP 80734-01-000 EVERY 600 MM. USE SCREW G67-10-12U UNLESS OTHERWISE SPECIFIED.
1. 110V WIRE TO BE CLAMPED WITH CLAMP 10497-05-000 WITHIN 200MM OF OUTLET BOXES, USE SCREW G67-10-12U.

NOTES:

265 CODES/STANDARDS-CSA/CMVSS  
1B1 CODES/STANDARDS USA

1B1 265



DSNR:	ALL DIMENSIONS ARE IN MILLIMETERS	
DFFR:		
UNSPECIFIED TOLERANCES:	MATERIAL:	
WHOLE DIM (X) : 3		
ONE-PLACE (X.X) : 1.5		
TWO-PLACE (X.XX) : 0.50		
ANGLE : 1°		
REFER TO ES0018 FOR FASTENER TIGHTENING GUIDELINES	WEIGHT: (LBS)	FIRST USED:
		18 E35F

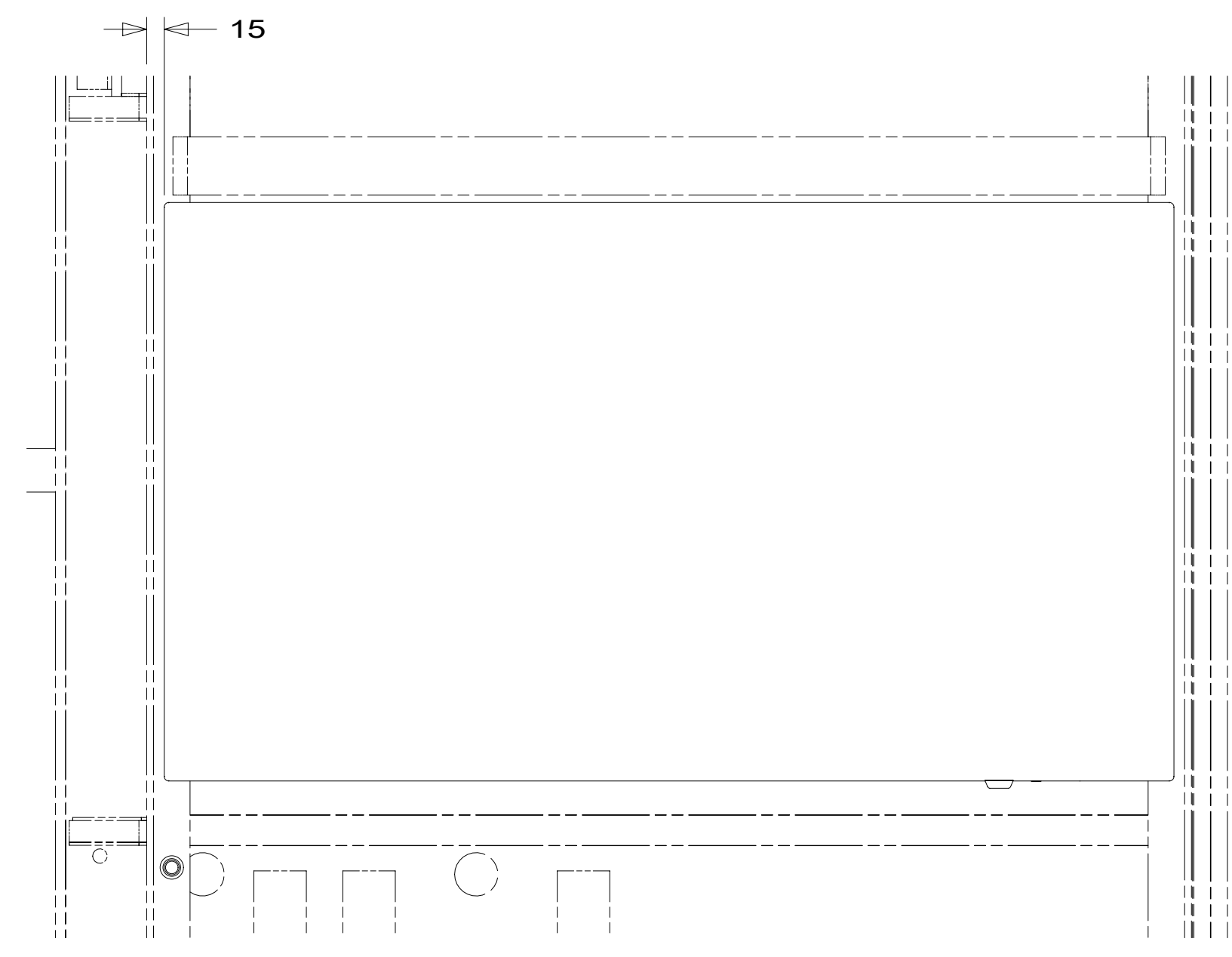
FOR ELECTRICAL TORQUE SPECIFICATIONS SEE DWG NO. 128783-01-000

FOR ELECTRICAL CALLOUTS SEE DWG NO. 121339-01-000

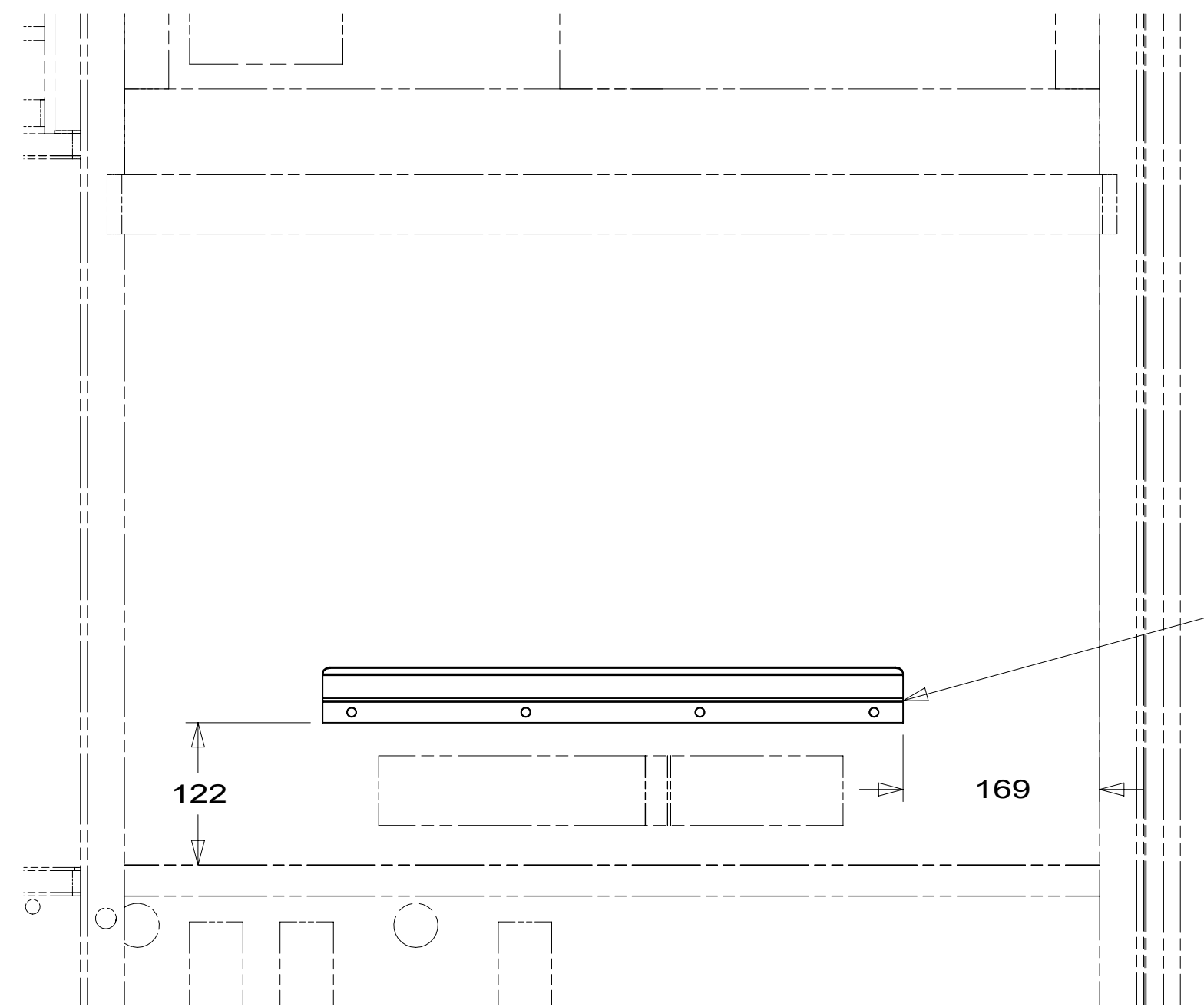
DESCRIPTION: <b>WIRING INSTL-TV/DVD</b>		
SHEET: 1 OF 4	ITEM/PART NO: 000128433 / 32496301000	REV:
REF:	1	31-Jul-2018

8 7 6 5 4 3 2 1

8 7 6 5 4 3 2 1



VIEW BA



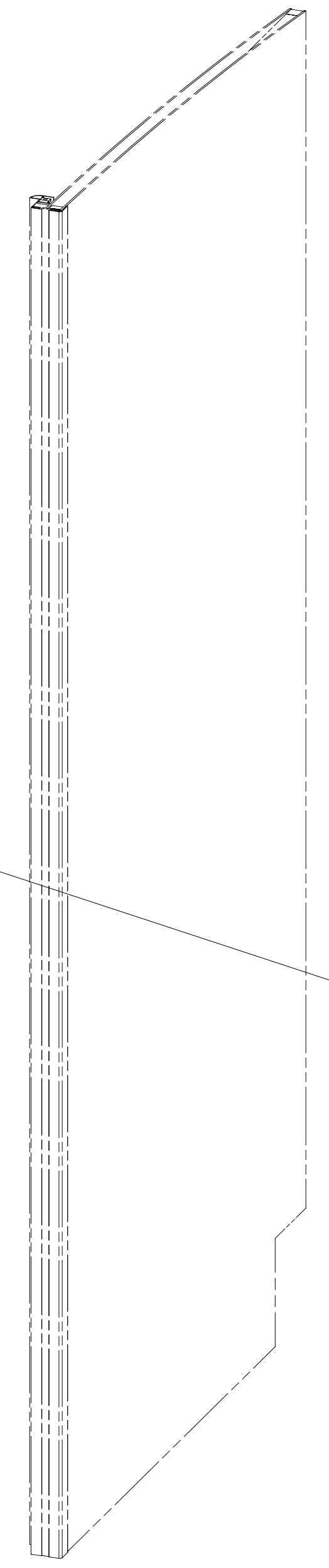
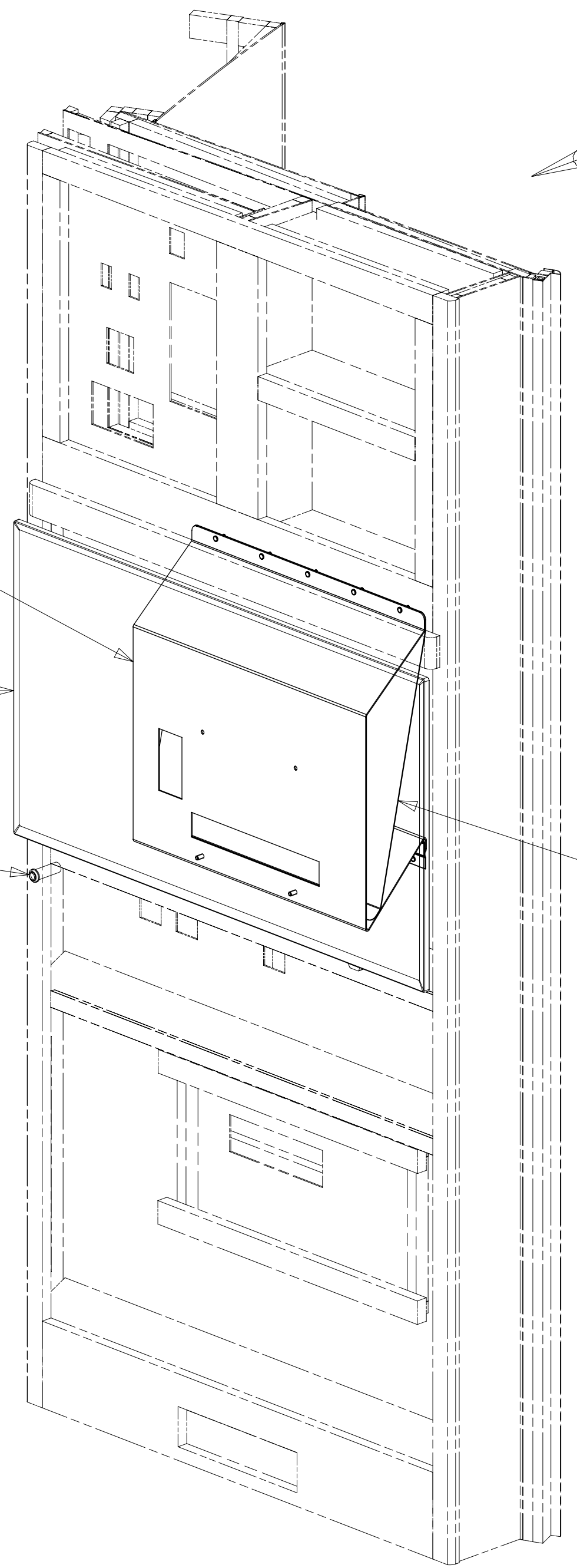
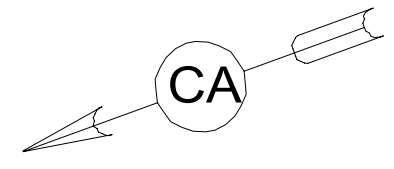
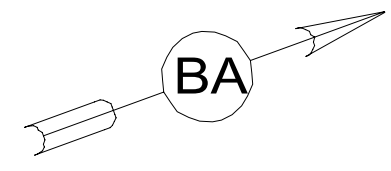
VIEW BA  
(TV NOT SHOWN)

CLIP-TRIM  
130034-04-CHT  
SCREW  
G11-08-12U (4)

BRACKET-MOUNTING,TV,39"INSIGNIA  
000167965 / 330223-01-CHT  
SCREW  
G11-08-12U (5)

TV-39" HDTV, INSIGNIA  
000167539 / 330141-01-000  
SCREW  
OMG04U-06-016 (2)  
WASHER  
000E13-12-00U (4)  
BOLT  
OMC02U-06-016 (2)

RECEIVER-  
INFRARED,IMPACT  
149750-13-000



BRACKET-MOUNTING,TV,39"INSIGNIA  
000168409 / 330376-01-CHT

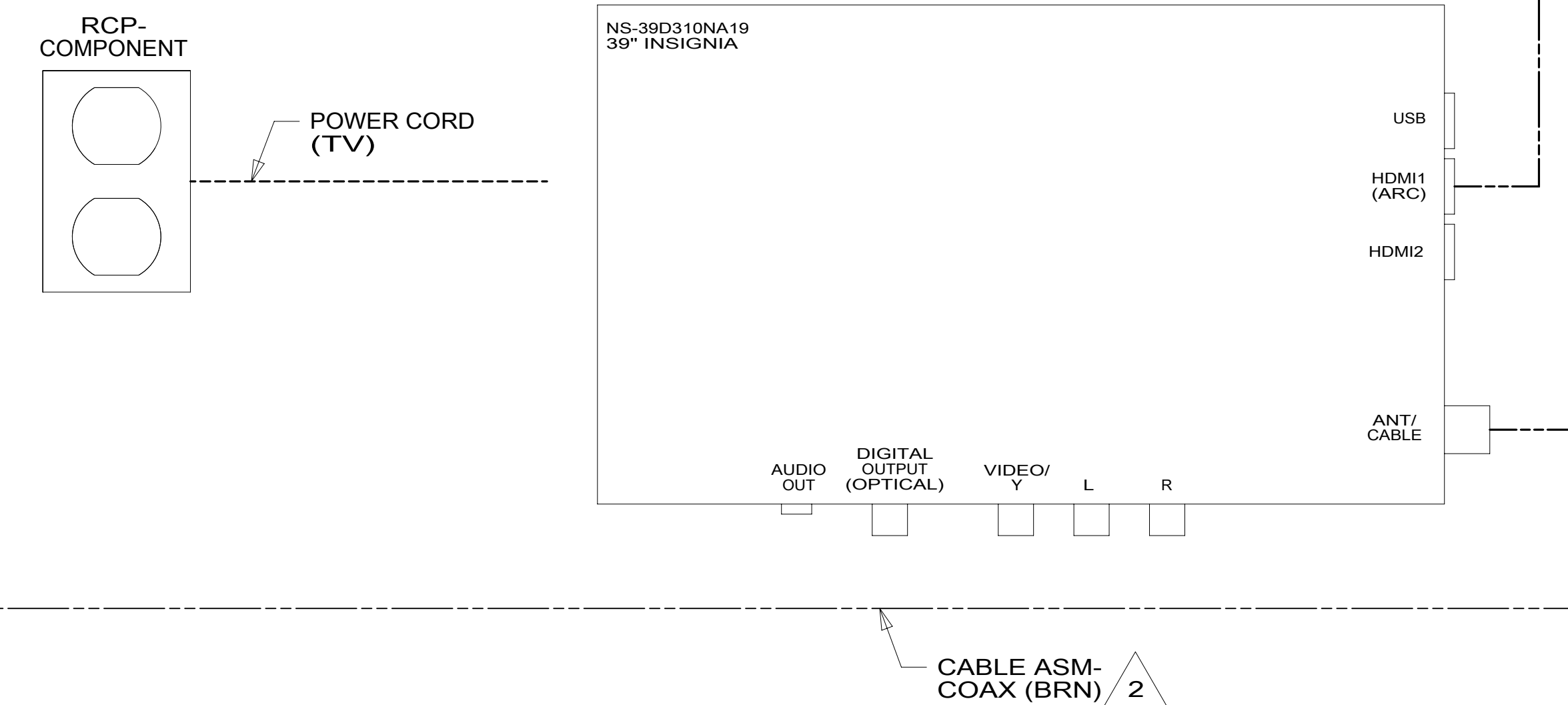
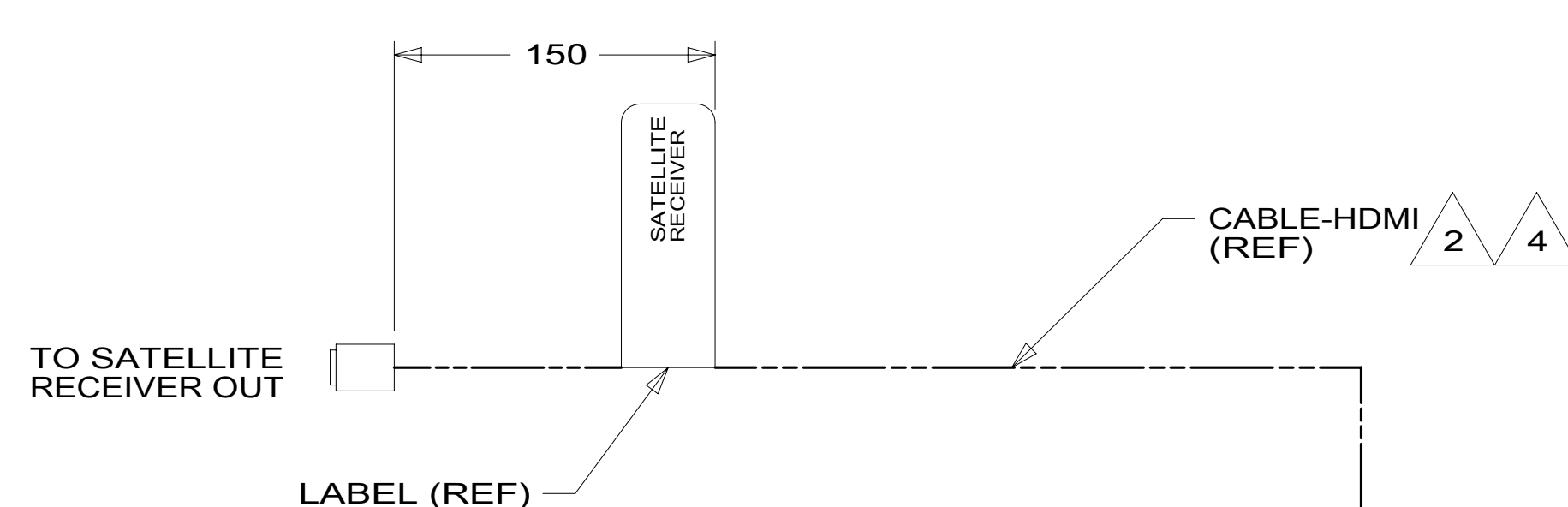
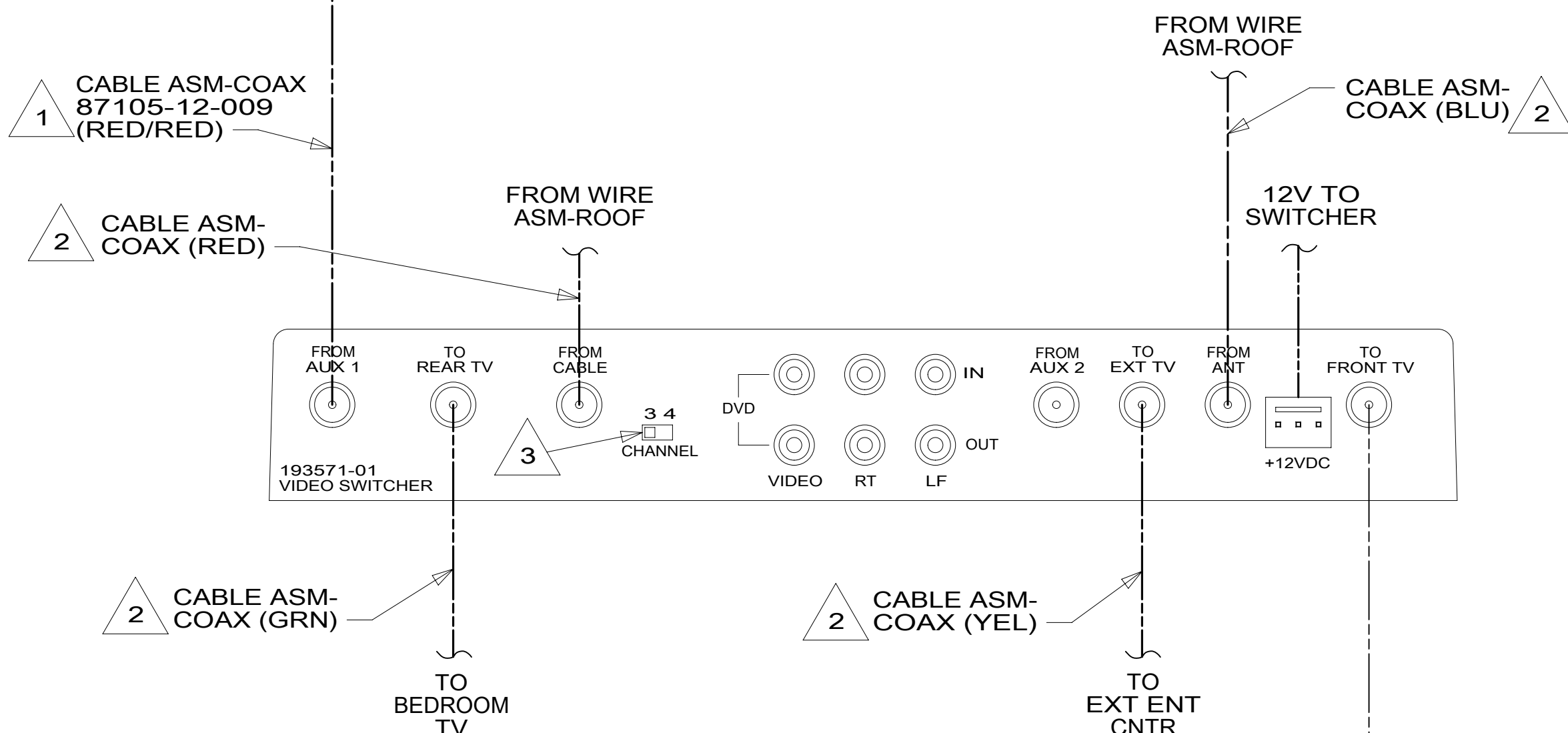
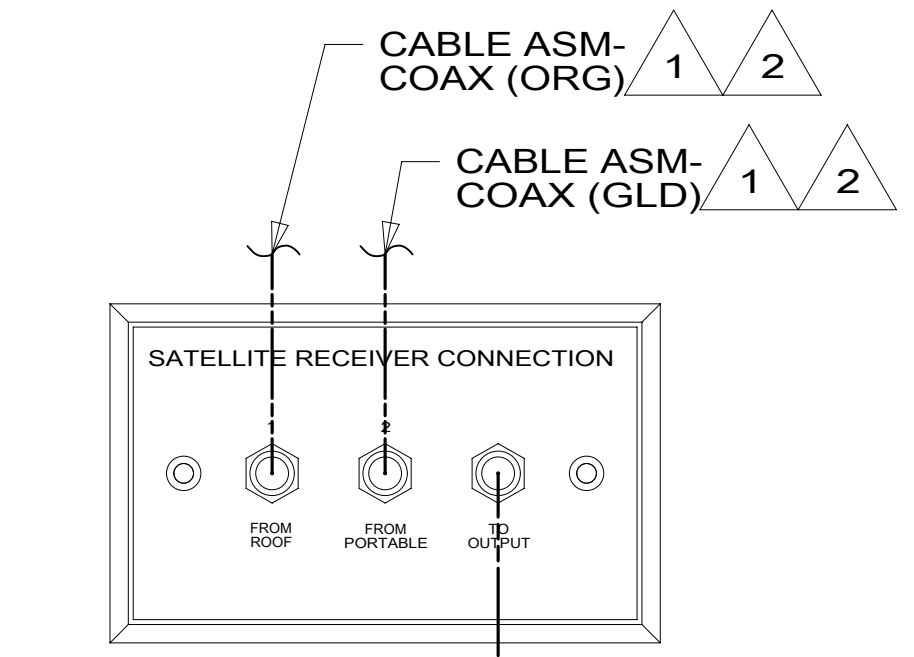
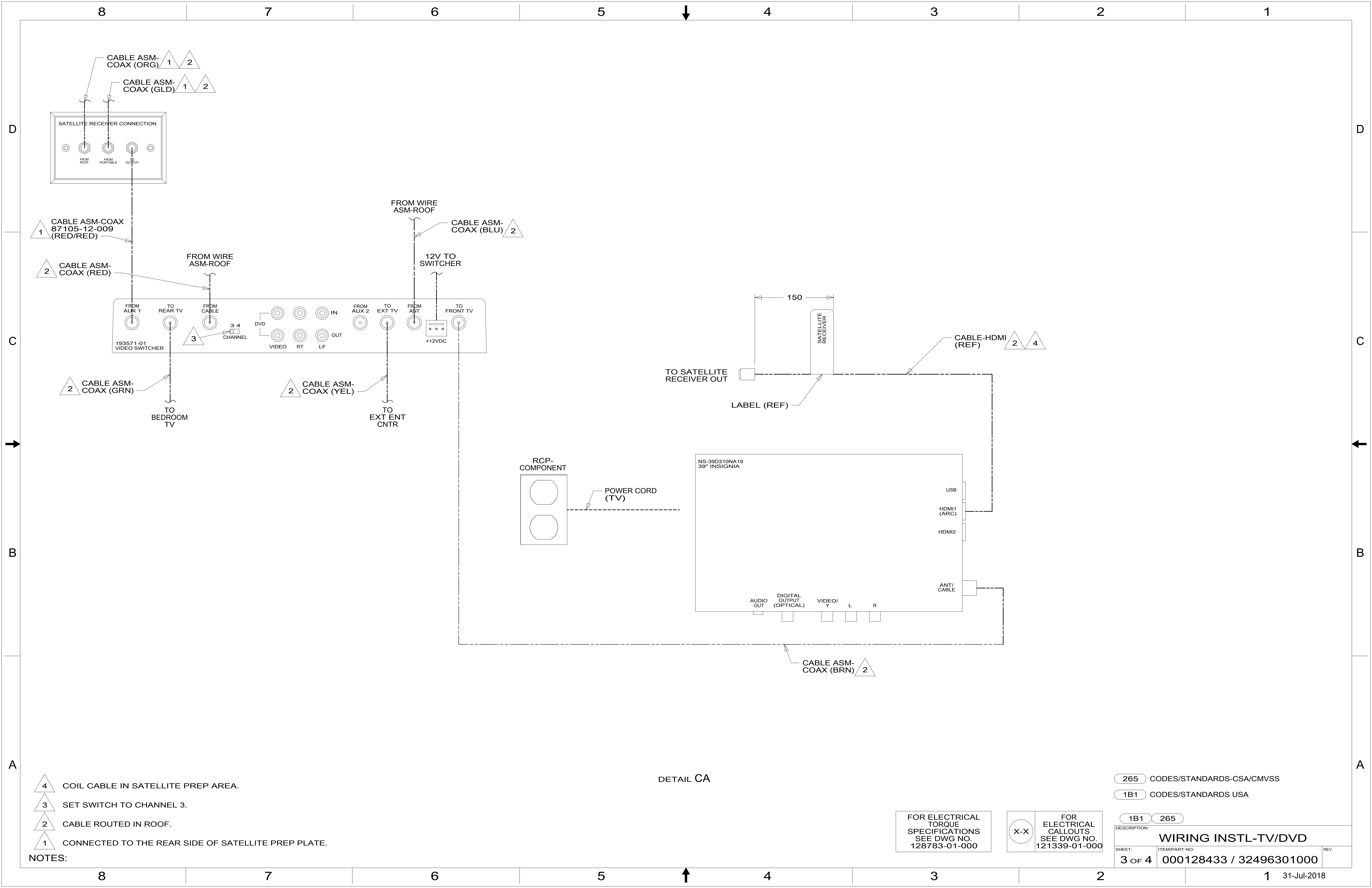
265 CODES/STANDARDS-CSA/CMVSS  
1B1 CODES/STANDARDS USA

FOR ELECTRICAL  
TORQUE  
SPECIFICATIONS  
SEE DWG NO.  
128783-01-000

FOR  
ELECTRICAL  
CALLOUTS  
SEE DWG NO.  
121339-01-000

DESCRIPTION:	1B1 265	
<b>WIRING INSTL-TV/DVD</b>		
SHEET:	ITEM/PART NO:	REV
2 OF 4	000128433 / 32496301000	

8 7 6 5 4 3 2 1 31-Jul-2018



- NOTES:
- 4 COIL CABLE IN SATELLITE PREP AREA.
  - 3 SET SWITCH TO CHANNEL 3.
  - 2 CABLE ROUTED IN ROOF.
  - 1 CONNECTED TO THE REAR SIDE OF SATELLITE PREP PLATE.

DETAIL CA

265 CODES/STANDARDS-CSA/CMVSS  
 1B1 CODES/STANDARDS USA

FOR ELECTRICAL TORQUE SPECIFICATIONS SEE DWG NO. 128783-01-000

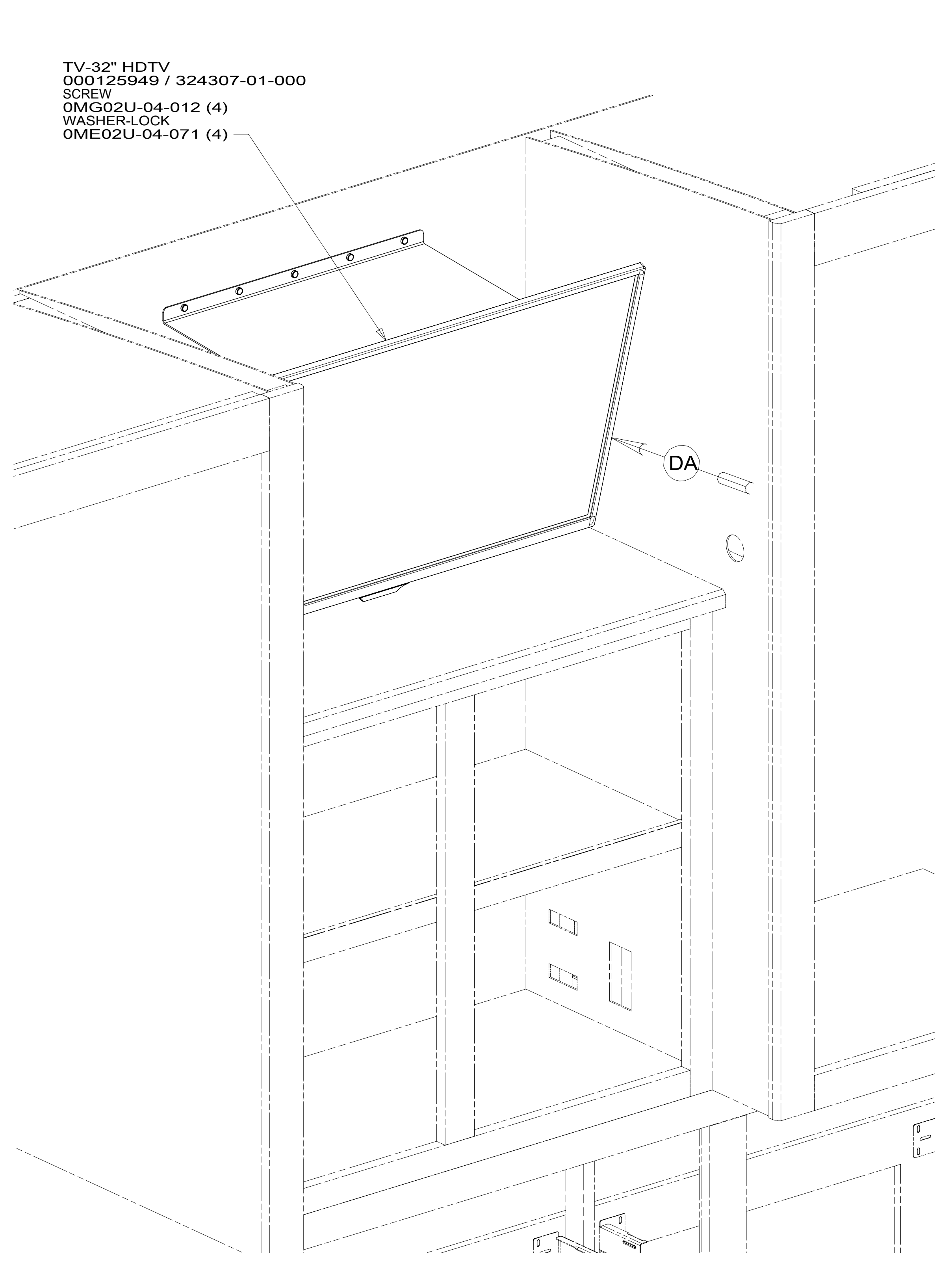
X-X FOR ELECTRICAL CALLOUTS SEE DWG NO. 121339-01-000

DESCRIPTION:		1B1 265	
<b>WIRING INSTL-TV/DVD</b>			
SHEET:	ITEM/PART NO.:	REV	
3 OF 4	000128433 / 32496301000		

8 7 6 5 4 3 2 1

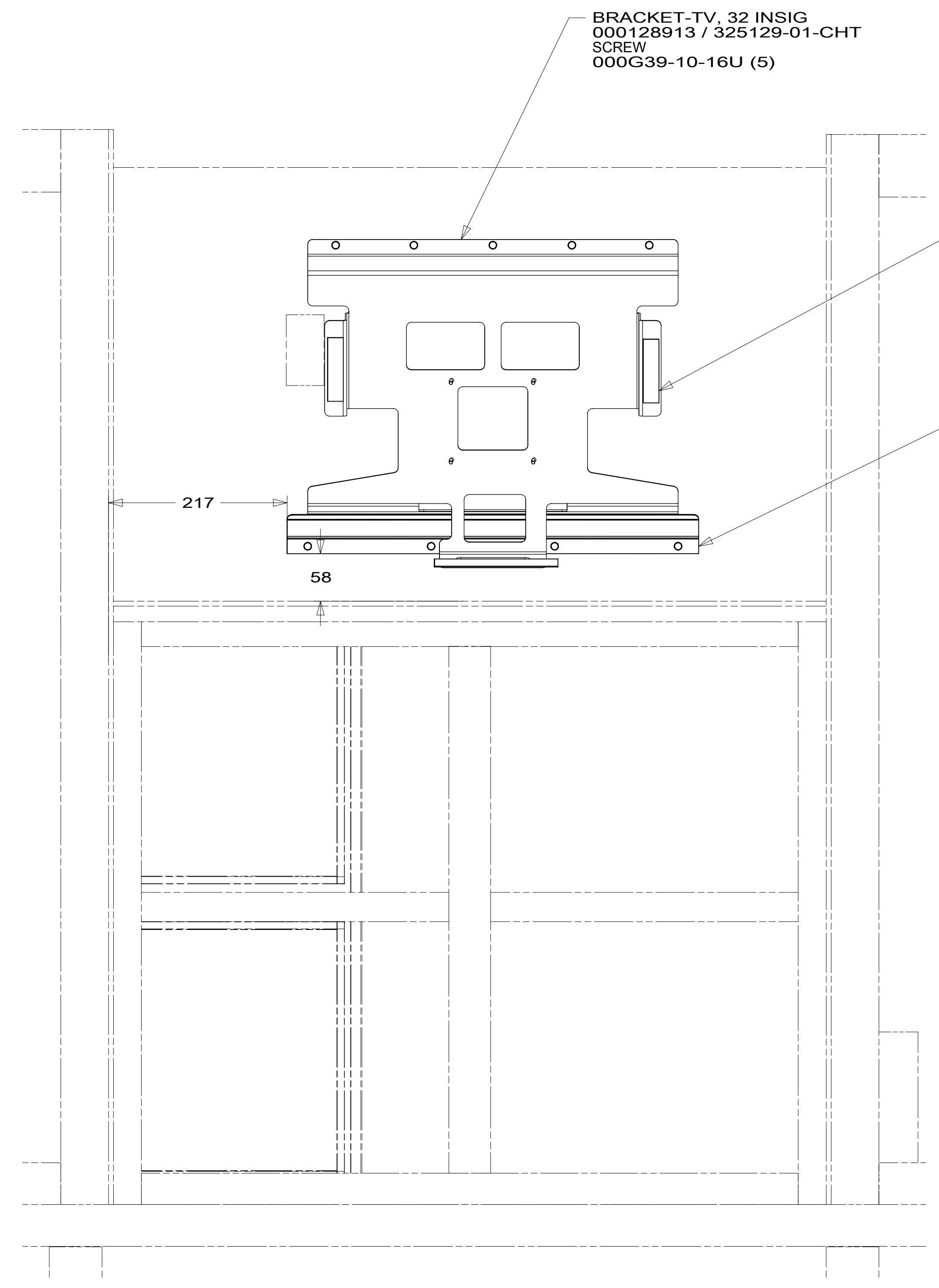
D  
C  
B  
A

D  
C  
B  
A



TV-32" HDTV  
000125949 / 324307-01-000  
SCREW  
OMG02U-04-012 (4)  
WASHER-LOCK  
OME02U-04-071 (4)

DA



BRACKET-TV, 32 INSIG  
000128913 / 325129-01-CHT  
SCREW  
000G39-10-16U (5)

TAPE-FOAM  
076322-22-000 (80 MM) (2)  
TAPE-FOAM  
076322-23-000 (150 MM) 1

CLIP-TRIM  
130034-04-CHT  
SCREW  
000G39-10-16U (4)

217

58

VIEW DA  
(TV NOT SHOWN)

1 PREP SURFACE WITH 87211-01-000.  
NOTES:

FOR ELECTRICAL  
TORQUE  
SPECIFICATIONS  
SEE DWG NO.  
128783-01-000

X-X  
FOR  
ELECTRICAL  
CALLOUTS  
SEE DWG NO.  
121339-01-000

- 68X TV - BEDROOM
- 265 CODES/STANDARDS-CSA/CMVSS
- 1B1 CODES/STANDARDS USA

DESCRIPTION: <b>WIRING INSTL-TV/DVD</b>		
SHEET: 4 OF 4	ITEM/PART NO: 000128433 / 32496301000	REV

8 7 6 5 4 3 2 1 31-Jul-2018