


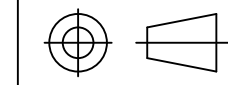
- 12 REMOVE SWIVEL NUT ON TRAP-WATERLESS 165406-01-000, AND CONNECT A-10.
- 11 SEE WIRING INSTL-BODY FOR ELECTRICAL CONNECTION.
- 10 APPLY PRIMER 126427-02-000 AND CEMENT 126427-01-000 BETWEEN ELBOW AND FLEX PIPE.
- 9. SEE DRAWING 061607 FOR INSTALLATION OF GROMMETS.
- 8. SECURE DRAINAGE PIPES TO CABINET USING WIRE TIE 108046-02-000, AND SCREW 000G67-10-12U AT INTERVALS OF NOT OF NOT MORE THAN 4 FEET APART.
- 7 SECURE VENT PIPE TO FLOOR WITH CLAMP 000156237 / 326663-02-000 (2),SCREW 000G67-10-12U (2), BRACKET 136878-01-CHT (2).
- 6 VENT PIPE MUST PROJECT 51 MIN AND 64 MAX ABOVE ROOF FOR PROPER FIT AND FUNCTION. ADD S-1 (000156099 / 326607-01-CHT SEAL-VENT PIPE) AROUND PIPE ON ROOF BEFORE VENT CAP IS INSTALLED.
- 5. SEAL AROUND SHOWER WITH SILICONE.
- 4 USE SMOOTH PLUMBERS PUTTY 167459-01-000 TO SEAL STRAINER (0.2 PER STRAINER).
- 3. ALL PIPE AND FITTINGS TO BE ASSEMBLED WITH SOLVENT 004020-01-000 (USA), 004020-02-000 (CAN)
- 2. SLOPE OF TRAP ARM MUST BE 6 PER 305 mm.
- 1. SLOPE OF HORIZONTAL PIPING TO BE MINIMUM OF 3 PER 305 mm.

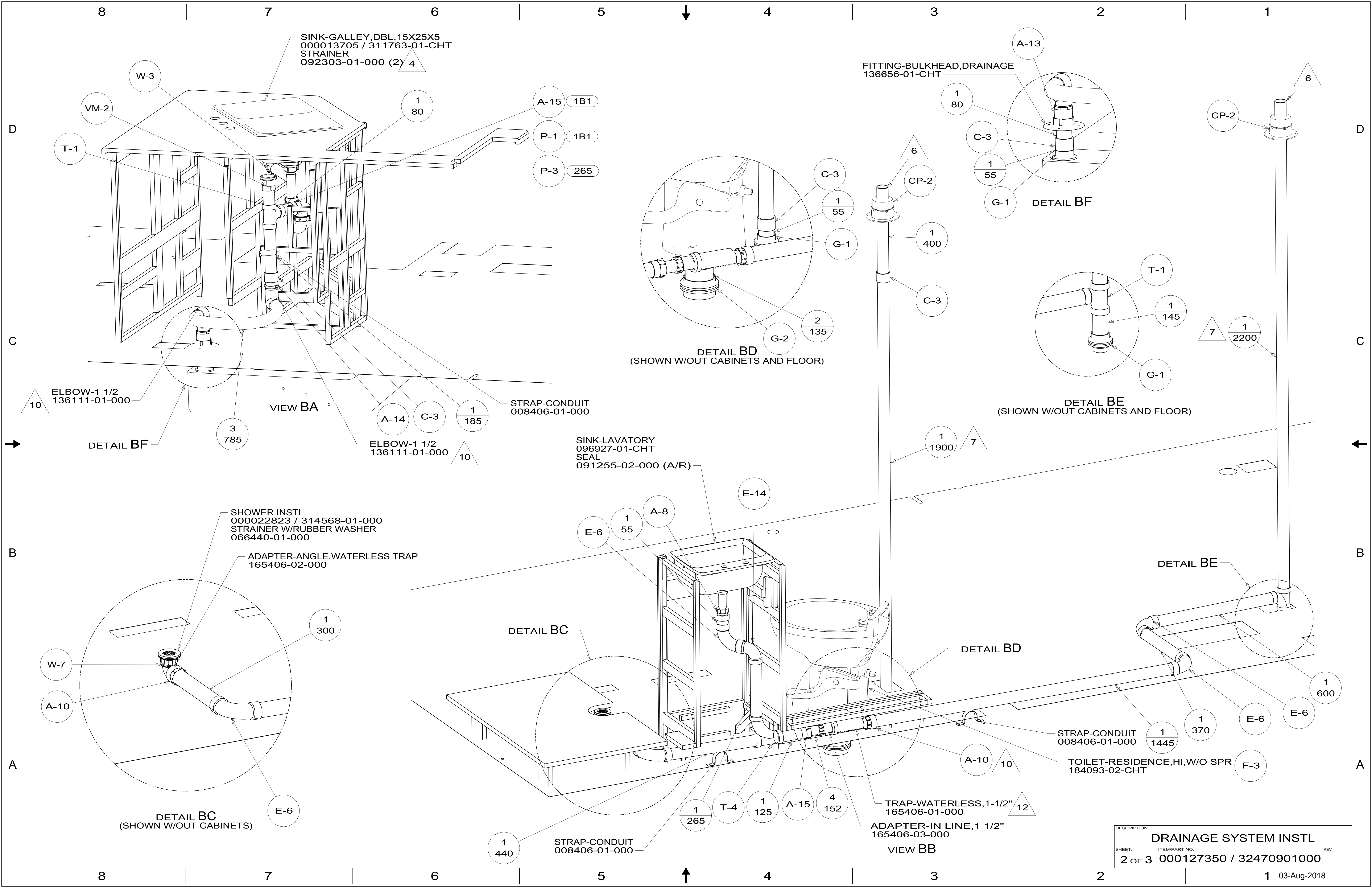
NOTES:

X-X
FOR
DRAINAGE
CALLOUTS
SEE DWG NO.
000211962 /
303370-01-000



COPYRIGHT 2018 WINNEBAGO INDUSTRIES, INC.

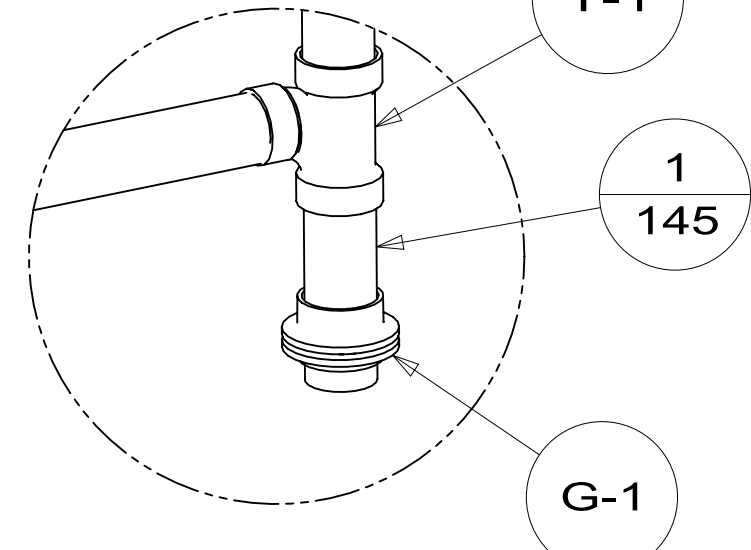
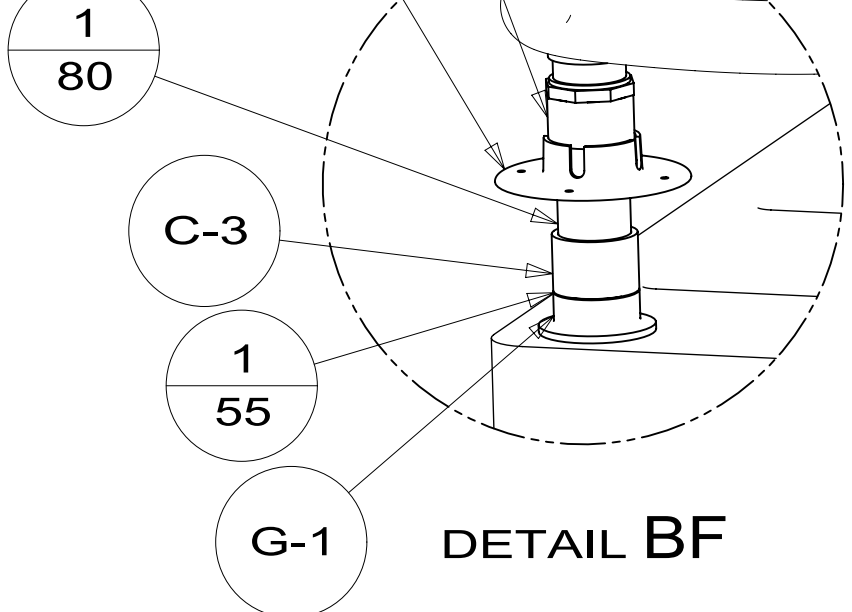
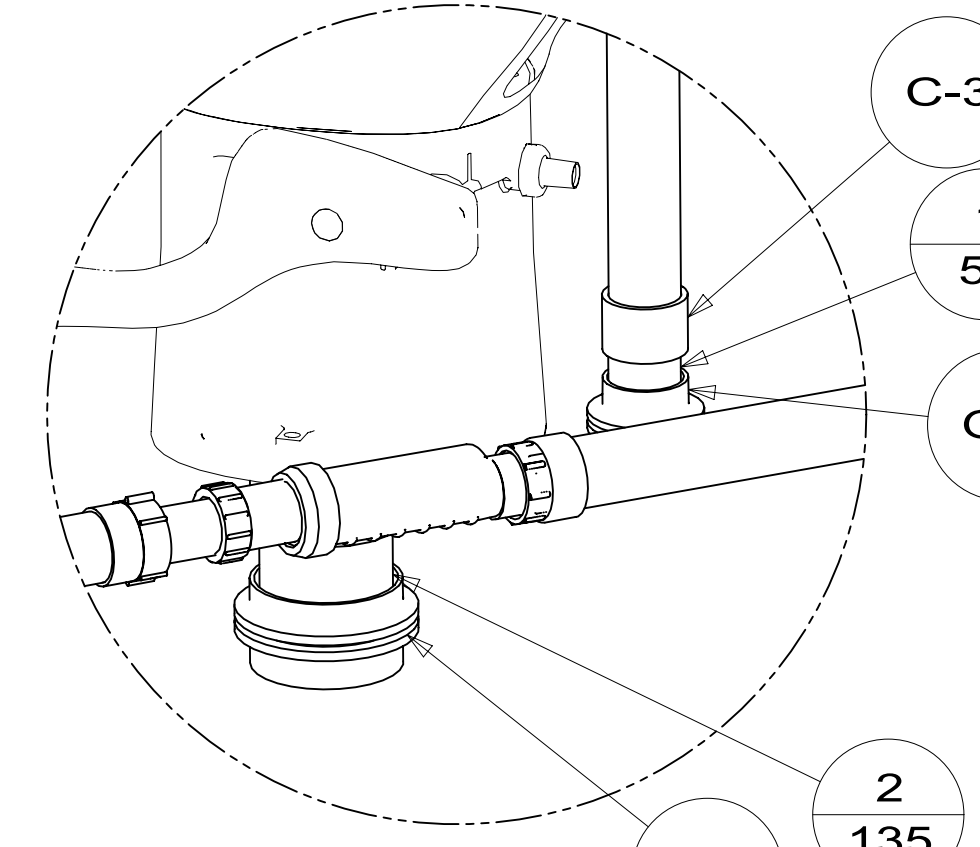
DSNR:		ALL DIMENSIONS ARE IN MILLIMETERS	
DIFFR:			
UNSPECIFIED TOLERANCES:	MATERIAL:		
WHOLE DIM (X) :	3		
ONE-PLACE (X.X) :	1.5		
TWO-PLACE (X.XX) :	0.50		
ANGLE :	1°		
REFER TO ES0018 FOR FASTENER TIGHTENING GUIDELINES	WEIGHT: (LBS)	FIRST USED: (REF)	
	-	18 E27PE	
DRAINAGE SYSTEM INSTL			
SHEET:	ITEM/PART NO:	REV	
1 OF 3	000127350 / 32470901000		
REF:		1 03-Aug-2018	



SINK-GALLEY, DBL, 15X25X5
 00013705 / 311763-01-CHT
 STRAINER
 092303-01-000 (2) 4

FITTING-BULKHEAD, DRAINAGE
 136656-01-CHT

W-3
 VM-2
 T-1
 1/80
 A-15 1B1
 P-1 1B1
 P-3 265



ELBOW-1 1/2
 136111-01-000

VIEW BA

STRAP-CONDUIT
 008406-01-000

ELBOW-1 1/2
 136111-01-000

SINK-LAVATORY
 096927-01-CHT
 SEAL
 091255-02-000 (A/R)

SHOWER INSTL
 00022823 / 314568-01-000
 STRAINER W/RUBBER WASHER
 066440-01-000

ADAPTER-ANGLE, WATERLESS TRAP
 165406-02-000

DETAIL BC

DETAIL BD

DETAIL BE

W-7

A-10

E-6

1/55

A-8

E-14

STRAP-CONDUIT
 008406-01-000

TOILET-RESIDENCE, HI, W/O SPR
 184093-02-CHT

DETAIL BC
 (SHOWN W/OUT CABINETS)

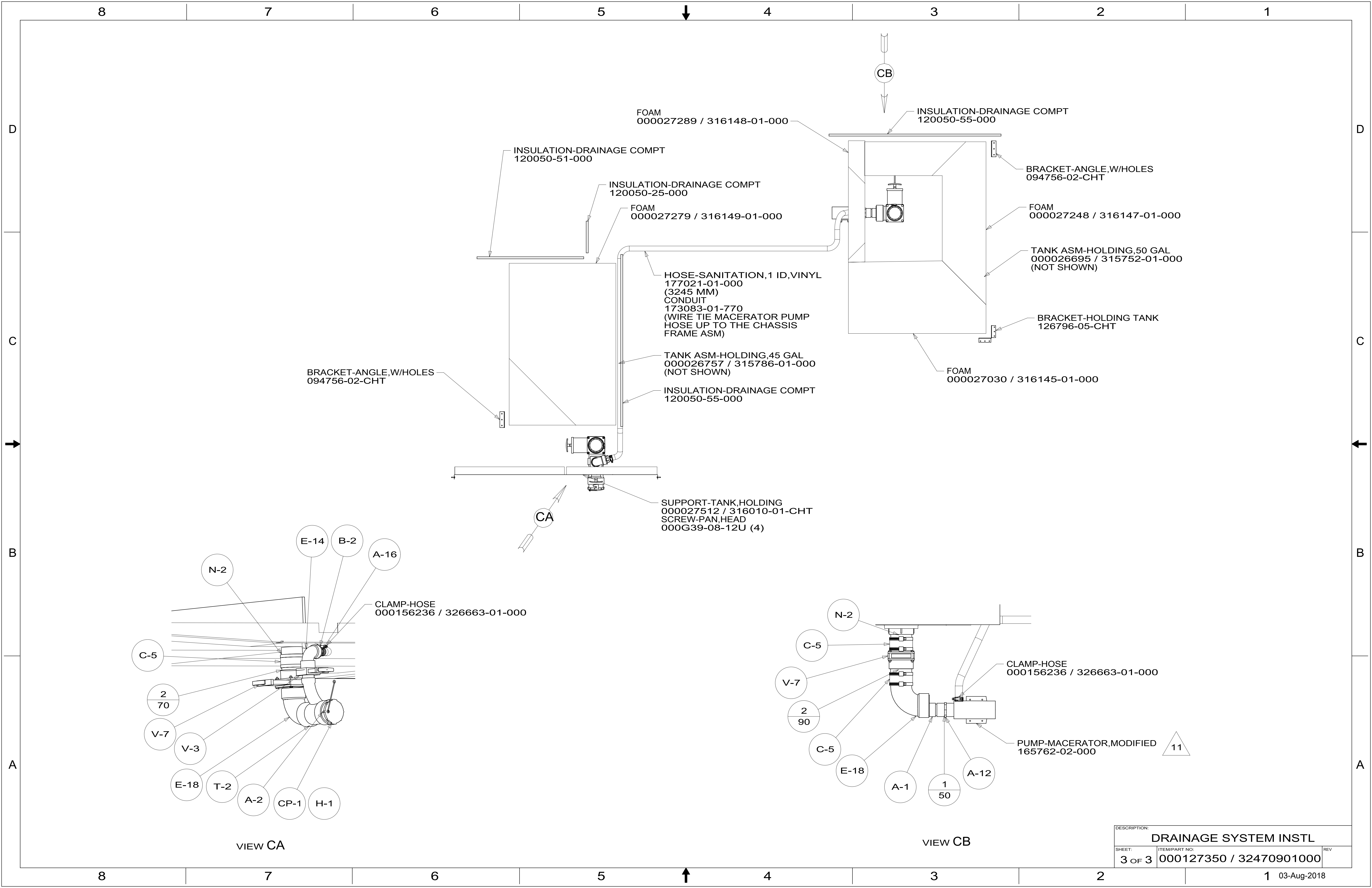
TRAP-WATERLESS, 1-1/2"
 165406-01-000

ADAPTER-IN LINE, 1 1/2"
 165406-03-000

VIEW BB

STRAP-CONDUIT
 008406-01-000

DESCRIPTION: DRAINAGE SYSTEM INSTL		
SHEET: 2 OF 3	ITEM/PART NO: 000127350 / 32470901000	REV



BRACKET-ANGLE, W/HOLES
094756-02-CHT

FOAM
000027289 / 316148-01-000

INSULATION-DRAINAGE COMPT
120050-55-000

INSULATION-DRAINAGE COMPT
120050-51-000

INSULATION-DRAINAGE COMPT
120050-25-000

FOAM
000027279 / 316149-01-000

BRACKET-ANGLE, W/HOLES
094756-02-CHT

FOAM
000027248 / 316147-01-000

TANK ASM-HOLDING, 50 GAL
000026695 / 315752-01-000
(NOT SHOWN)

BRACKET-HOLDING TANK
126796-05-CHT

HOSE-SANITATION, 1 ID, VINYL
177021-01-000
(3245 MM)
CONDUIT
173083-01-770
(WIRE TIE MACERATOR PUMP
HOSE UP TO THE CHASSIS
FRAME ASM)

TANK ASM-HOLDING, 45 GAL
000026757 / 315786-01-000
(NOT SHOWN)

INSULATION-DRAINAGE COMPT
120050-55-000

FOAM
000027030 / 316145-01-000

SUPPORT-TANK, HOLDING
000027512 / 316010-01-CHT
SCREW-PAN, HEAD
000G39-08-12U (4)

CLAMP-HOSE
000156236 / 326663-01-000

CLAMP-HOSE
000156236 / 326663-01-000

PUMP-MACERATOR, MODIFIED
165762-02-000

11

VIEW CA

VIEW CB

DESCRIPTION: DRAINAGE SYSTEM INSTL		
SHEET: 3 OF 3	ITEM/PART NO: 000127350 / 32470901000	REV