

REV	ZONE	REVISION RECORD	DATE	DFTR-ORIG
A	---	INITIAL RELEASE	09/18/17	9080-4799
B	SHT3	CHANGED PANEL	10-03-17	0626-4373
C	SHT3	325427-01-CHT WAS 322383-01-CHT	10/04/17	9080-4799
D	SHT3	ADDED E-54	11-21-17	0626-4799
E	---	UPDATES	01/29/18	9080-1600

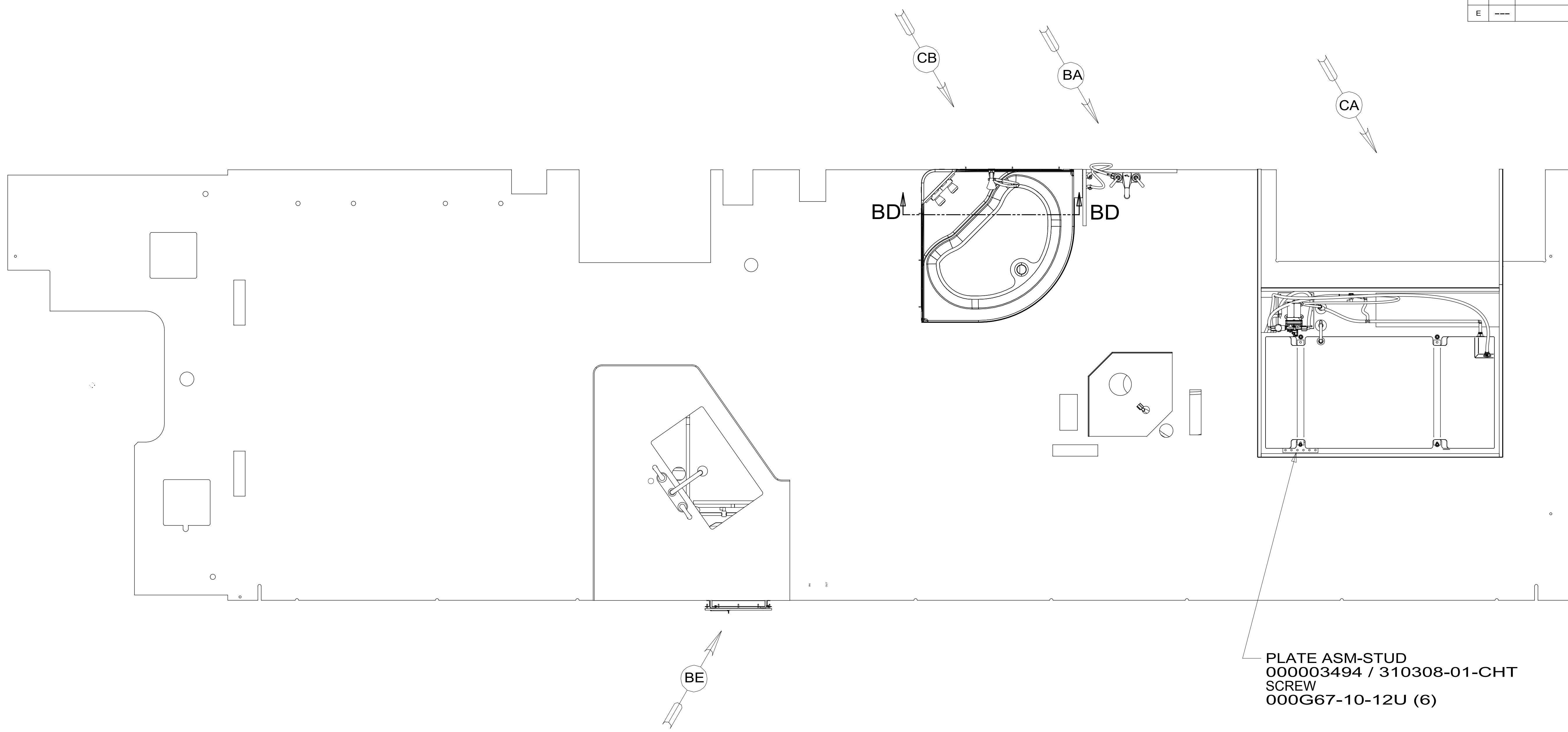


PLATE ASM-STUD  
000003494 / 310308-01-CHT  
SCREW  
000G67-10-12U (6)

- NOTES:
1. PLASTIC FITTINGS TO BE SEALED WITH SEALANT 084456-01-000.
  2. TUBING TO BE INSTALLED WITH SUFFICIENT SLOPE TO PROVIDE DRAINAGE TO NEAREST VALVE.
  3. ALL TUBING TO BE SECURED AT 1200 INTERVALS MAXIMUM WITH CLAMP 010495-01-000 AND SCREW 000G67-10-12U OR EQUIVALENT.
  4. ADD TEFLON TAPE 010405-02-000.
  5. ADD PIPE WRAP (LADDER SCRAP 110157-02-000) INSULATION.
  6. LABEL HOT AND COLD SUPPLY TUBES AND TAPE FITTING TO TUBE BEFORE CABINET SET TO PREVENT MOVEMENT.
  7. ALL CRIMP FITTINGS TO 5/8" FLEX TUBING REQUIRE 5/8" CLAMP 000156248 / 326669-01-000.
  8. ALL CRIMP FITTINGS TO 1/2" PEX TUBING REQUIRE 1/2" CLAMP 000156249 / 326670-01-000.
  9. ALL CRIMP FITTINGS TO 3/4" PEX TUBING REQUIRE 3/4" CLAMP 000156247 / 326668-01-000.
  10. FASTEN PLATFORM TO FLOOR AFTER SIDEWALL IS SET AND HEATER IS ATTACHED TO WALL.

X-X  
FOR WATER  
CALLOUTS  
SEE DWG NO.  
000209446 /  
303369-01-000

**WINNEBAGO**  
COPYRIGHT 2018 WINNEBAGO INDUSTRIES, INC.

DSNR:	ALL DIMENSIONS ARE IN MILLIMETERS	
DFTR:	MATERIAL:	
UNSPECIFIED TOLERANCES:	WHOLE DIM (X) :	3
	ONE-PLACE (X.X) :	1.5
	TWO-PLACE (X.XX) :	0.50
	ANGLE :	1°
REFER TO ES0018 FOR FASTENER TIGHTENING GUIDELINES	WEIGHT: (LBS)	FIRST USED: (REF)
		18 E31BE
DESCRIPTION: <b>WATER SYSTEM INSTL</b>		
SHEET: 1 OF 3	ITEM/PART NO: 000126920 / 32455901000	REV:
REF:		1 31-Jan-2018

FAUCET-GALLEY, DUAL CONTROL W/PULL  
000041434 / 319747-01-CHT

FAUCET-LAV, DUAL LEVER CTRL  
186417-01-CHT

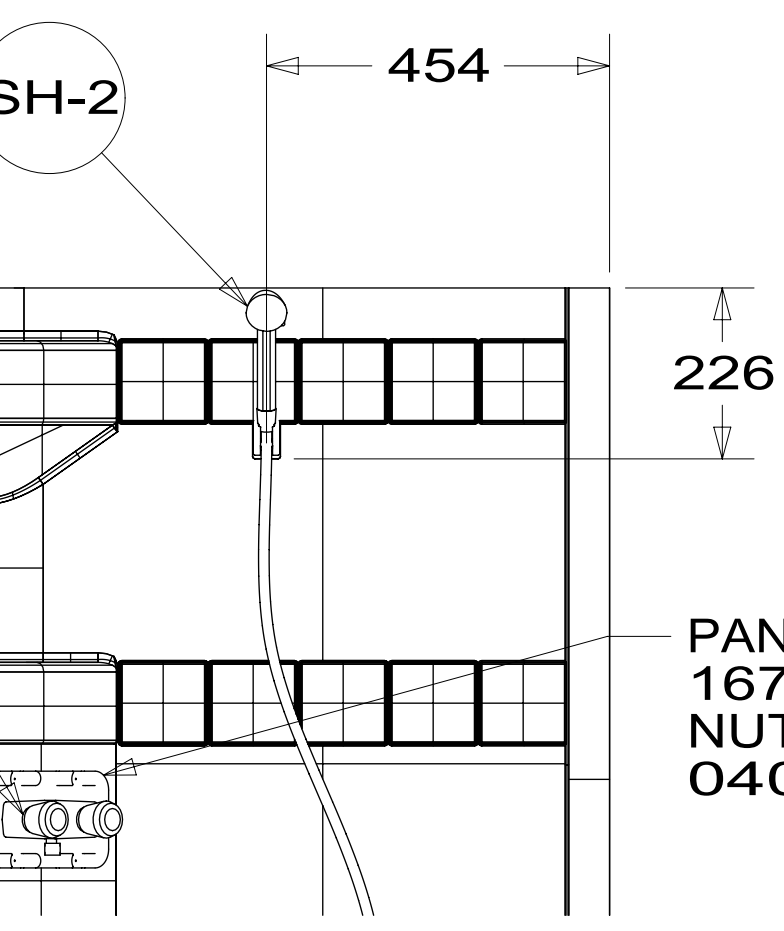
DETAIL BB

DETAIL BC

VIEW BA  
(SHOWN W/OUT SHOWER)

DETAIL BB  
(SHOWN W/OUT CABINETS)

DETAIL BC  
(SHOWN W/OUT CABINETS & FLOOR)



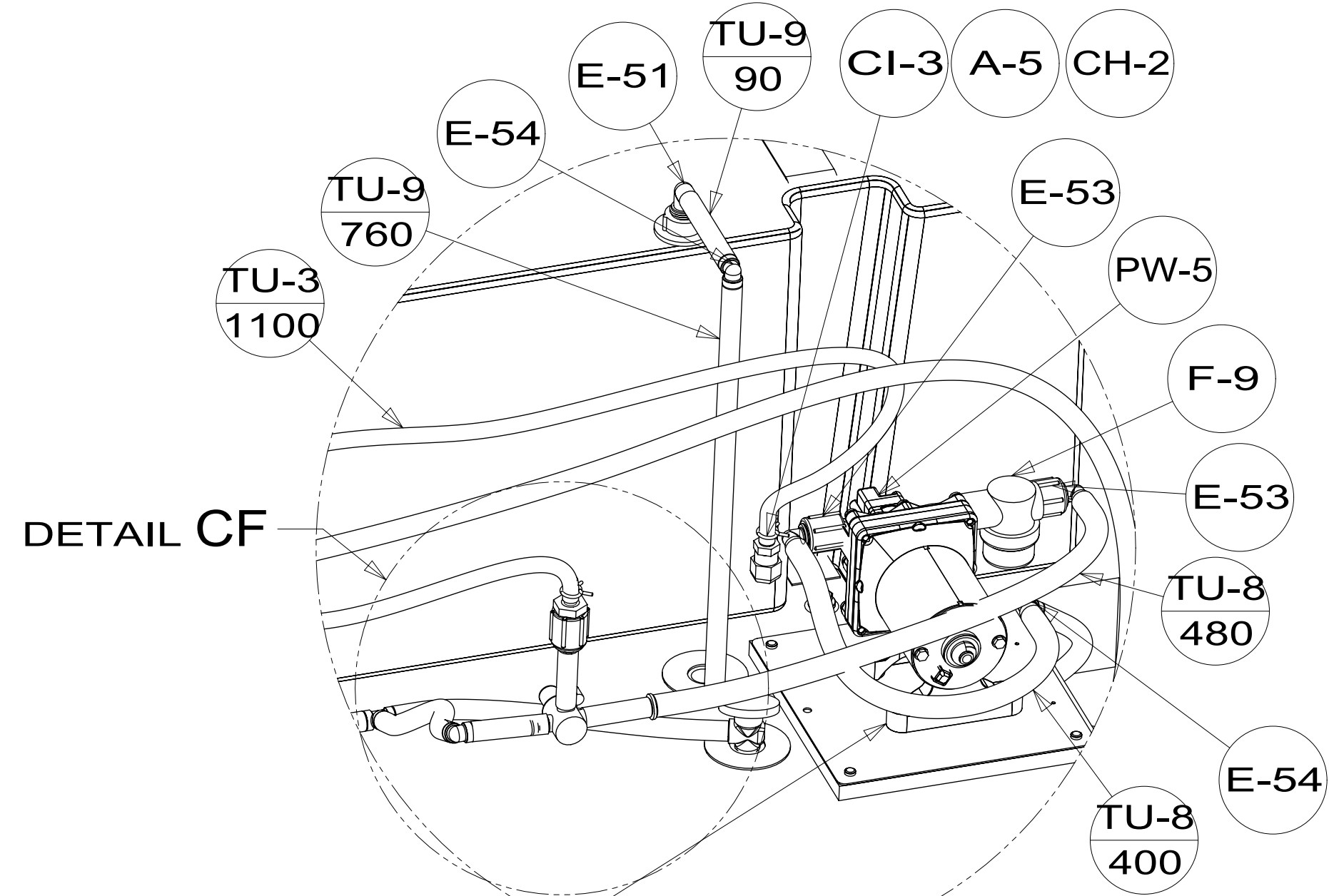
PANEL-SHOWER  
167738-02-CHT  
NUT-SPEED-U  
040921-05-000 (4)

CLAMP  
010495-04-000 (2)  
SCREW  
000G67-10-10U (2)

WATER HEATER INSTL  
186899-04-000  
PLATFORM ASM-WATER  
184166-03-000  
CABLE  
076767-03-000  
SCREW  
000G11-06-08U(2)

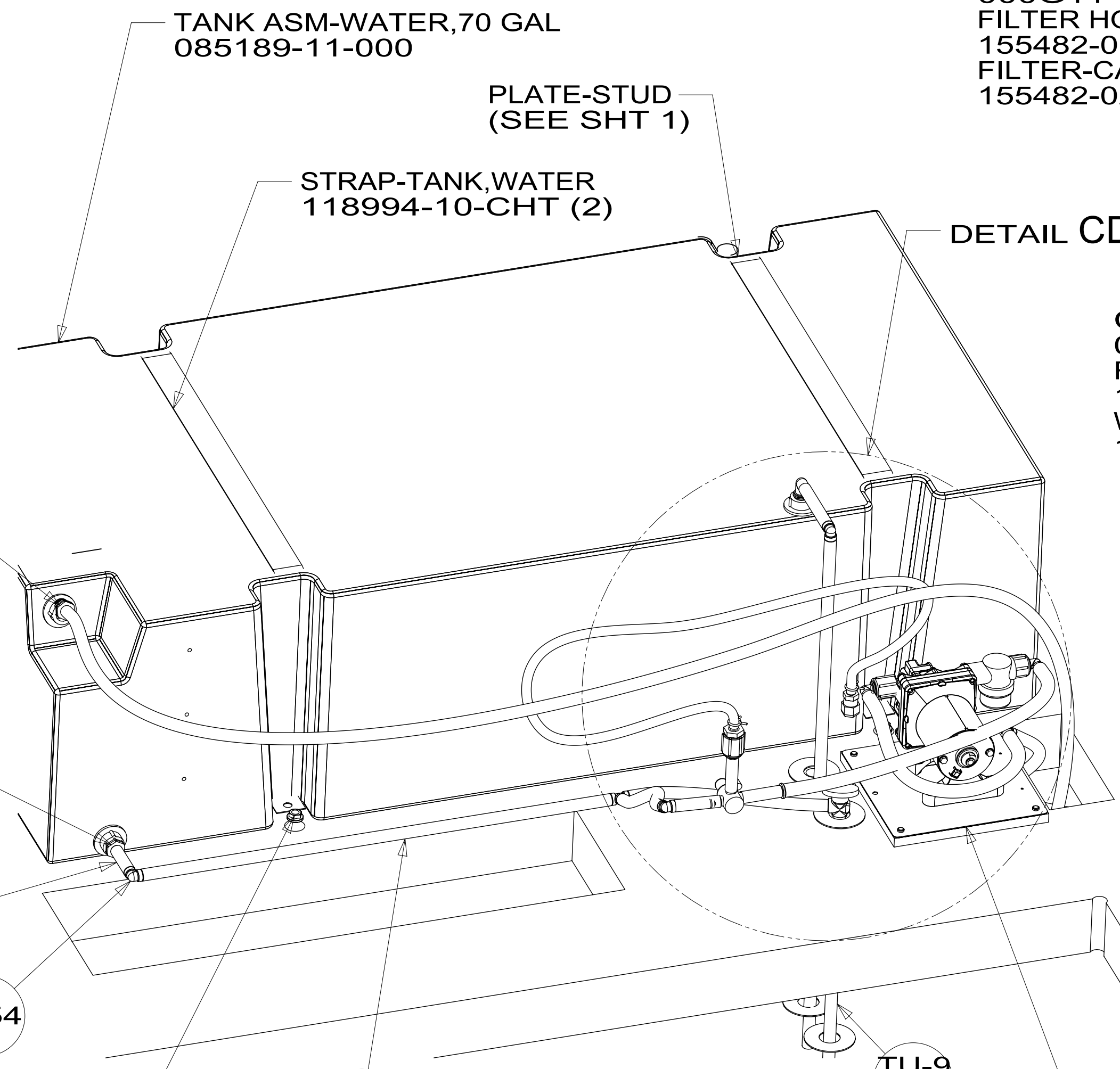
VIEW BE

DESCRIPTION: <b>WATER SYSTEM INSTL</b>		
SHEET: 2 OF 3	ITEM/PART NO: 000126920 / 32455901000	REV
8 7 6 5 4 3 2 1		31-Jan-2018



SCREW  
000G39-08-16U (4)

DETAIL CD



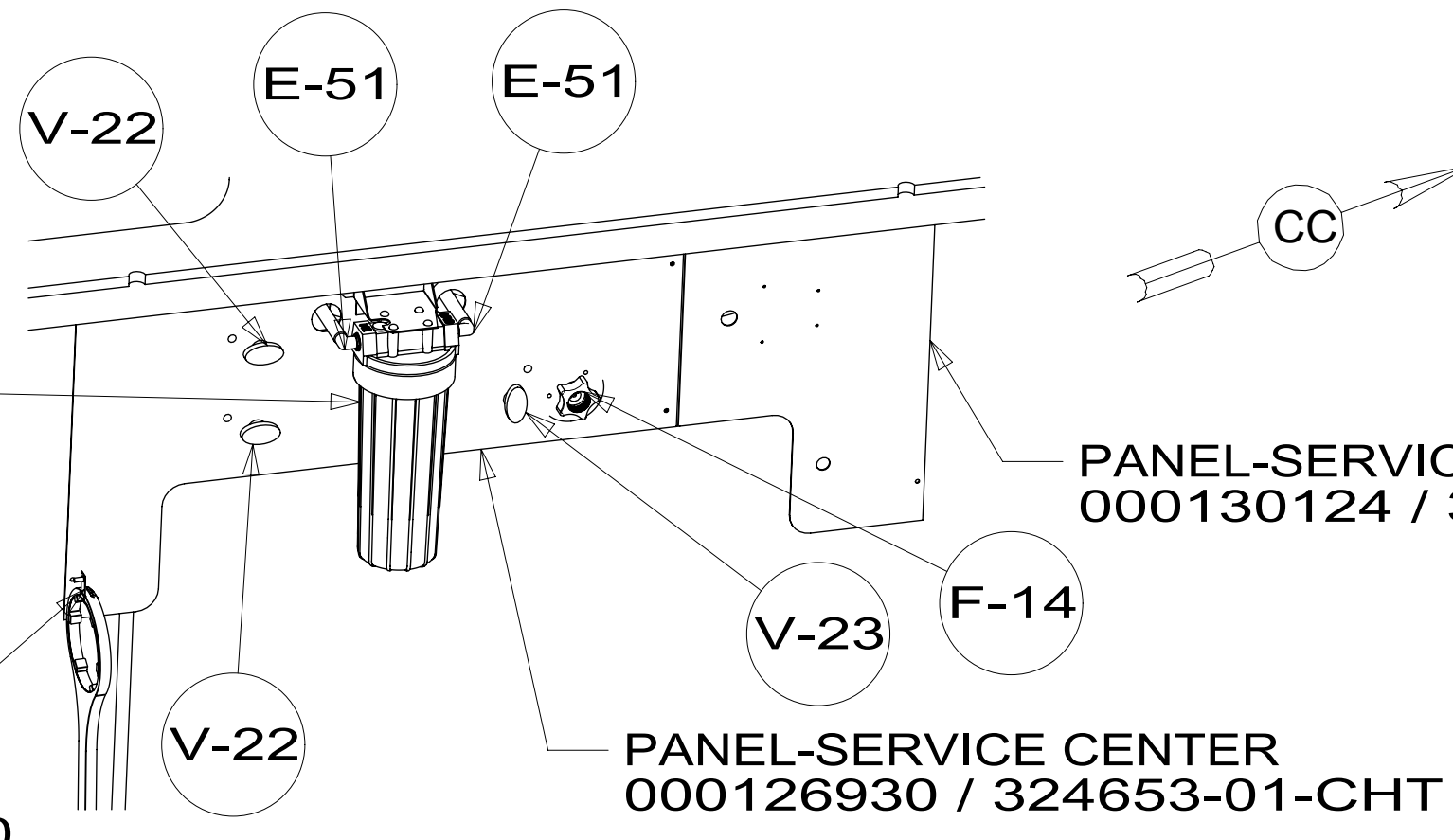
VIEW CA

NUT  
000D39-06-00U (4)

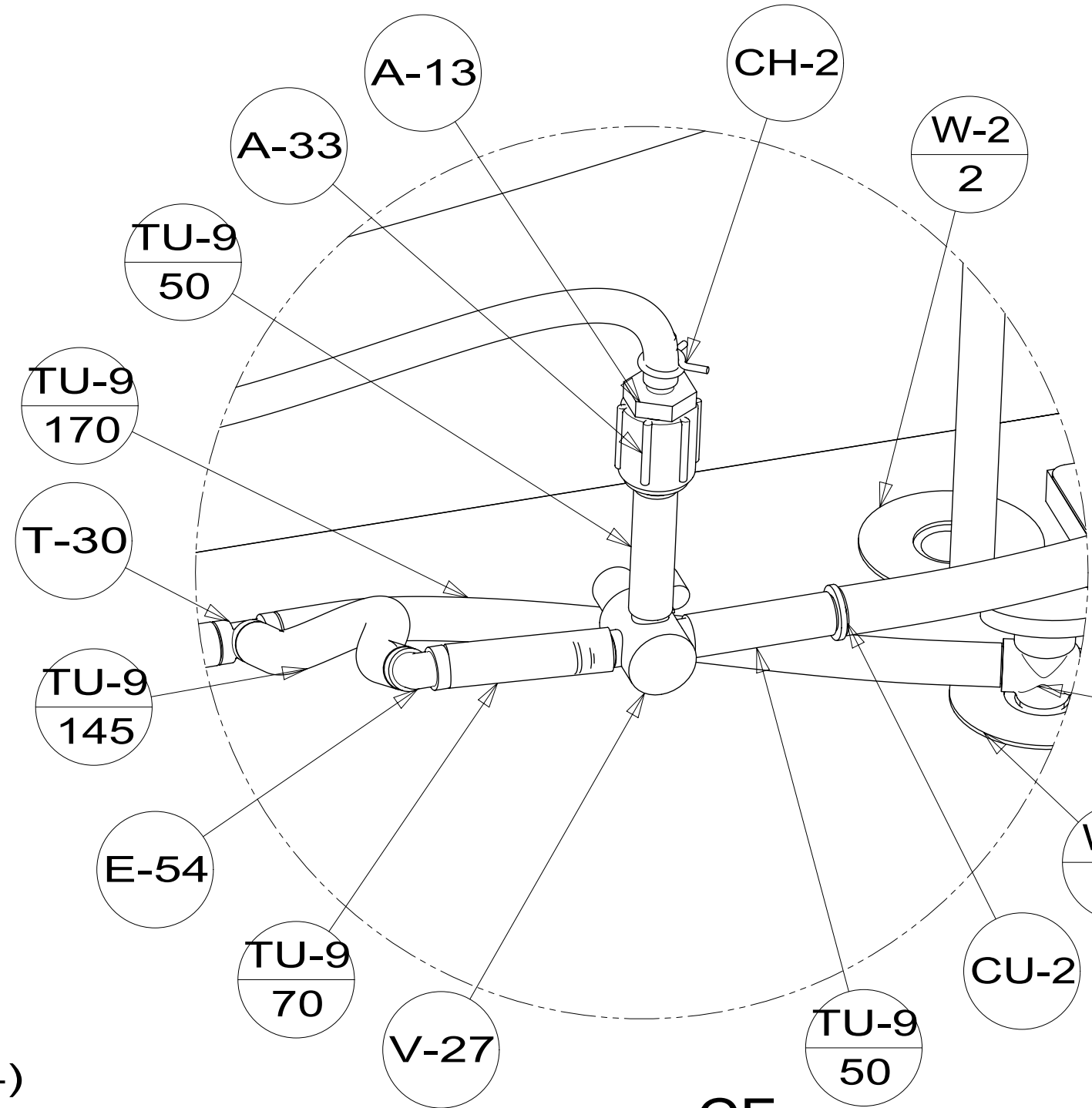
CHANNEL-MOUNT  
155893-04-CHT  
RIVET  
113133-01-CHT  
SCREW  
000G11-10-12U (4)  
FILTER HOUSING-WATER  
155482-01-CHT  
FILTER-CARTRIDGE  
155482-02-CHT

CLIP-J  
077955-01-000  
RIVET  
113133-01-CHT  
WRENCH-FILTER  
155482-03-CHT

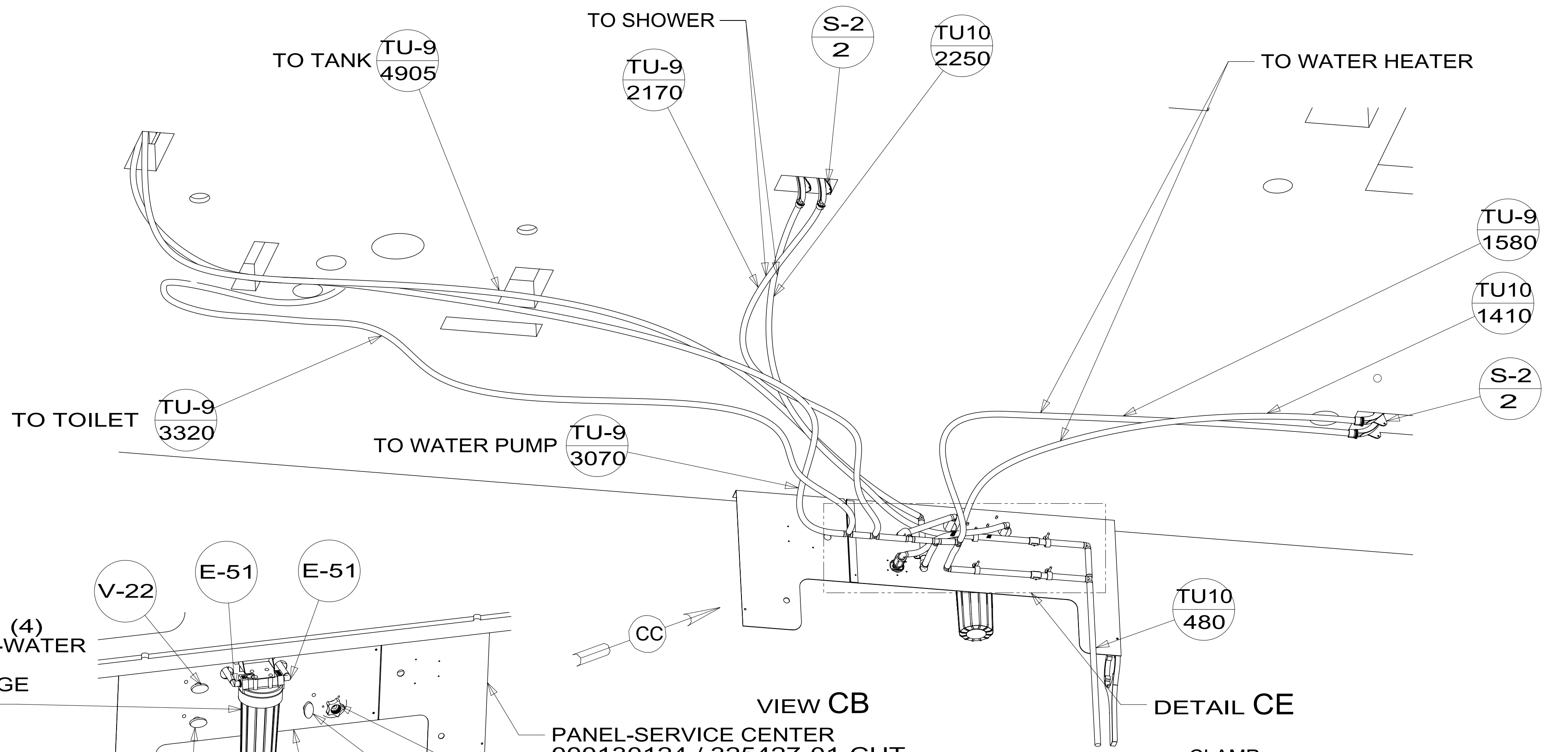
PANEL-WATER PUMP  
149477-08-CHT  
FOAM-PAD  
140364-01-CHT  
SCREW  
000G39-08-24U (4)



VIEW CC



DETAIL CF

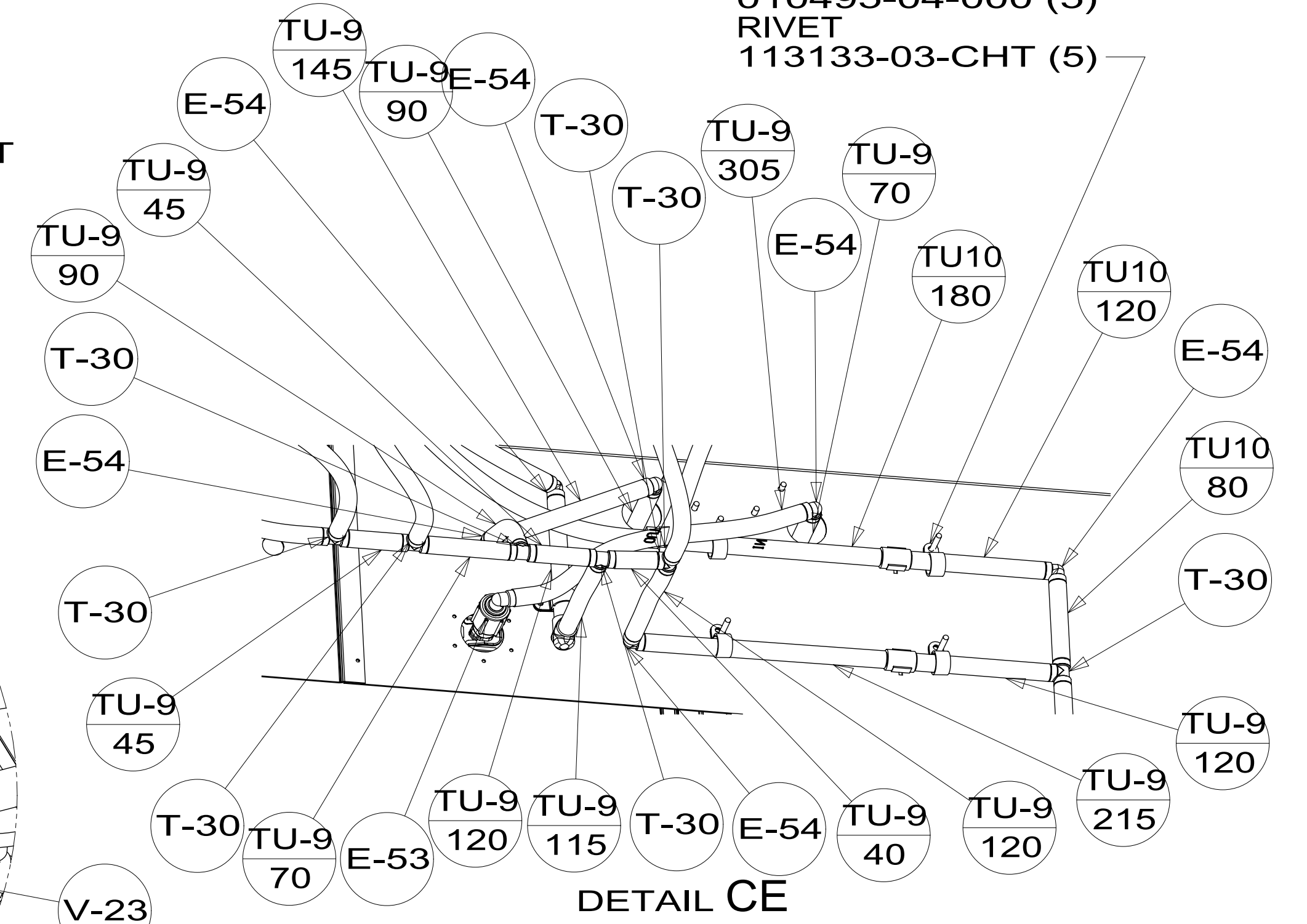


VIEW CB

PANEL-SERVICE CENTER  
000130124 / 325427-01-CHT

PANEL-SERVICE CENTER  
000126930 / 324653-01-CHT

CLAMP  
010495-04-000 (5)  
RIVET  
113133-03-CHT (5)



DETAIL CE

DESCRIPTION:		
WATER SYSTEM INSTL		
SHEET:	ITEM/PART NO:	REV
3 OF 3	000126920 / 32455901000	