

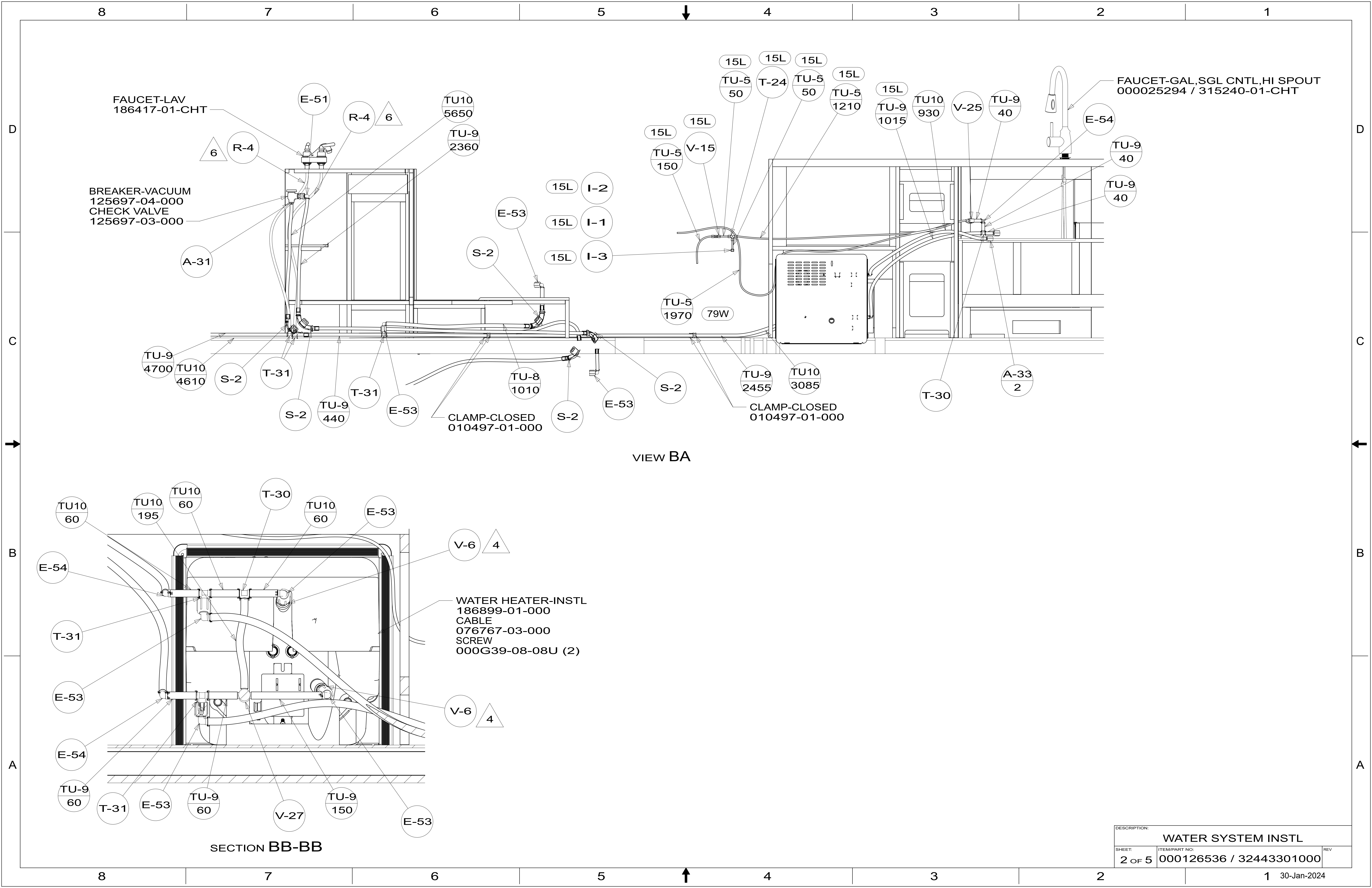
- 9. ALL CRIMP FITTINGS TO 3/4" PEX TUBING REQUIRE 3/4" CLAMP 000156247 / 326668-01-000.
- 8. ALL CRIMP FITTINGS TO 1/2" PEX TUBING REQUIRE 1/2" CLAMP 000156249 / 326670-01-000.
- 7. ALL CRIMP FITTINGS TO 5/8" FLEX TUBING REQUIRE 5/8" CLAMP 000156248 / 326669-01-000.
- 6. LABEL HOT AND COLD SUPPLY TUBES AND TAPE FITTING TO TUBE BEFORE CABINET SET TO PREVENT MOVEMENT.
- 5. ADD PIPE WRAP (LADDER SCRAP 110157-02-000) INSULATION.
- 4. ADD TEFLON TAPE 010405-02-000.
- 3. ALL TUBING TO BE SECURED AT 1200 INTERVALS MAXIMUM WITH CLAMP 010495-01-000 AND SCREW 000G67-10-12U OR EQUIVALENT.
- 2. TUBING TO BE INSTALLED WITH SUFFICIENT SLOPE TO PROVIDE DRAINAGE TO NEAREST VALVE.
- 1. PLASTIC FITTINGS TO BE SEALED WITH SEALANT 084456-01-000.

- 15L RESIDENTIAL REFRIGERATOR PKG
- 79W REFRIGERATOR-4 DOOR
- 21M WASHER/DRYER PREP
- 54E WASHER/DRYER COMBO

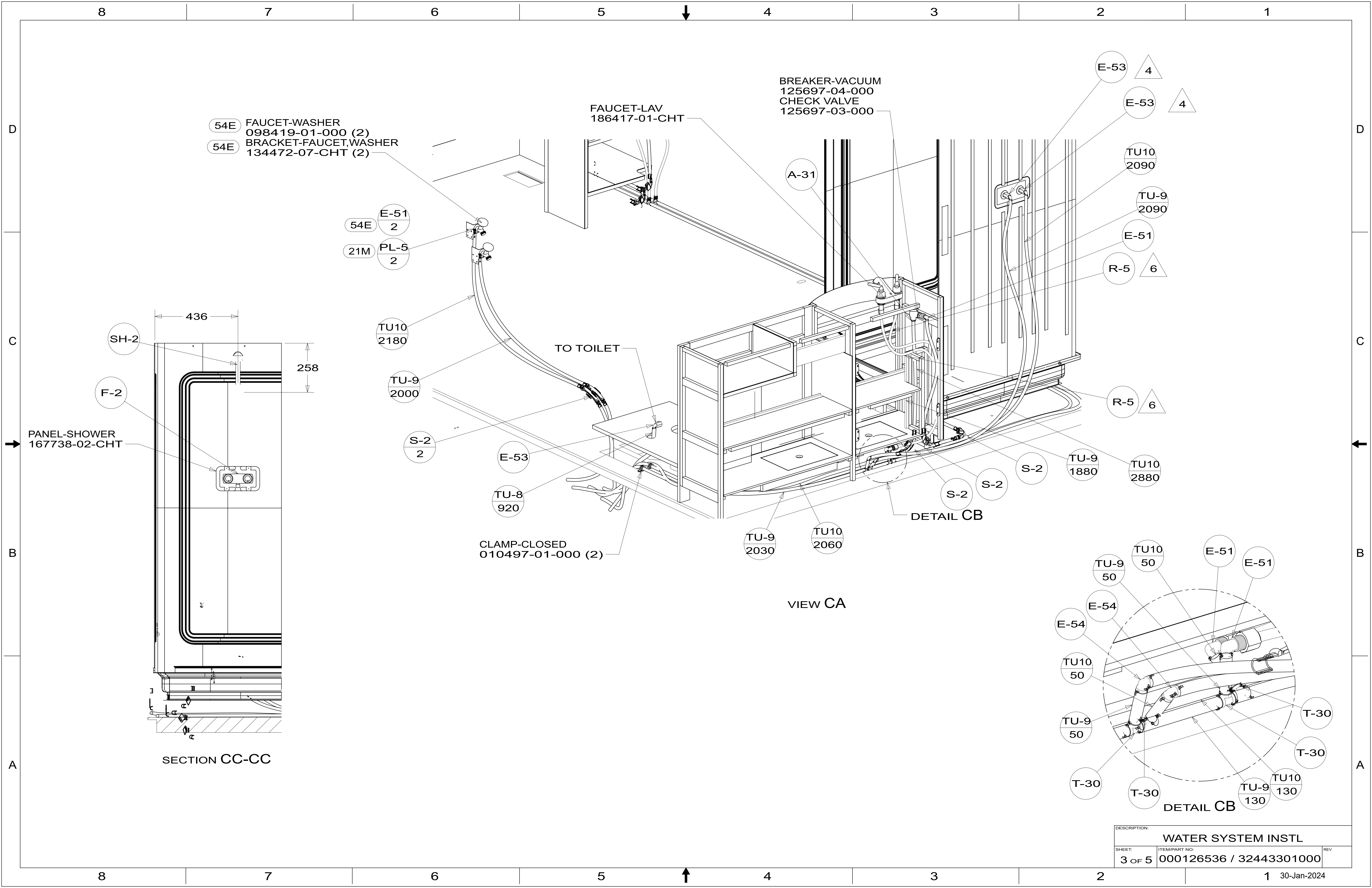


DSNR:		ALL DIMENSIONS ARE IN MILLIMETERS	
DIFTR:		MATERIAL:	
UNSPECIFIED TOLERANCES:			
WHOLE DIM (X)	: 3		
ONE-PLACE (X.X)	: 1.5		
TWO-PLACE (X.XX)	: 0.50		
ANGLE	: 1°		
REFER TO ES0018 FOR FASTENER TIGHTENING GUIDELINES		WEIGHT: (LBS)	FIRST USED: (REF)
DESCRIPTION:		18 E35F	
<b>WATER SYSTEM INSTL</b>			
SHEET:	ITEM/PART NO.:	REV	
1 OF 5	000126536 / 32443301000		

X-X  
FOR WATER CALLOUTS  
SEE DWG NO.  
000209446 /  
303369-01-000



DESCRIPTION:		
WATER SYSTEM INSTL		
SHEET:	ITEM/PART NO.:	REV
2 OF 5	000126536 / 32443301000	



8 7 6 5 4 3 2 1

TANK ASM-WATER,74 GAL  
174701-04-000

INSULATION-DRAINAGE COMPT  
168508-50-000

INSULATION-DRAINAGE COMPT  
168508-50-000

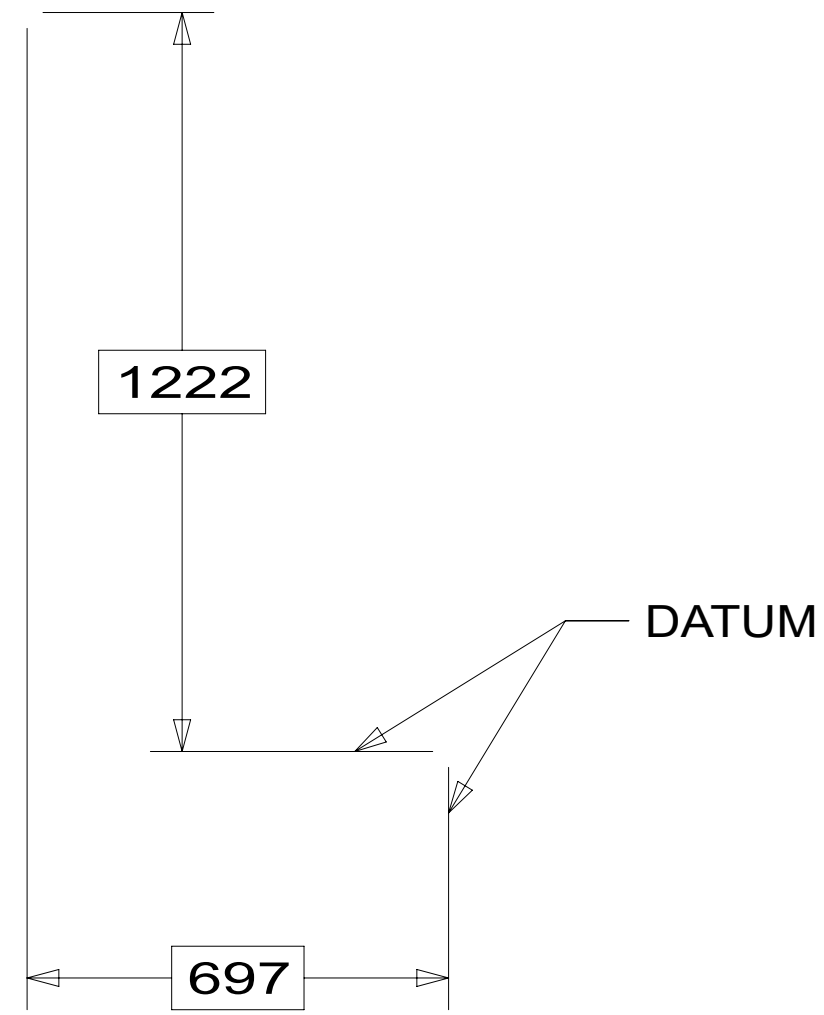
INSULATION-DRAINAGE COMPT  
168508-50-000

INSULATION-DRAINAGE COMPT  
168508-32-000(2)

BRACKET-ANGLE,W/HOLES  
094756-02-CHT

STL-TUBE  
123963-34-CHT

WATER FILL  
131081-04-XXX



### SHOWING ONLY TANKS AND DRAINS

FILTER HOUSING-WATER  
155482-01-CHT  
FILTER-CARTRIDGE WOVEN  
155482-02-CHT  
SCREW  
000G11-10-12U (4)

CHANNEL-MOUNT,WTR FILTER  
155893-04-CHT  
RIVET  
113133-01-CHT (4)

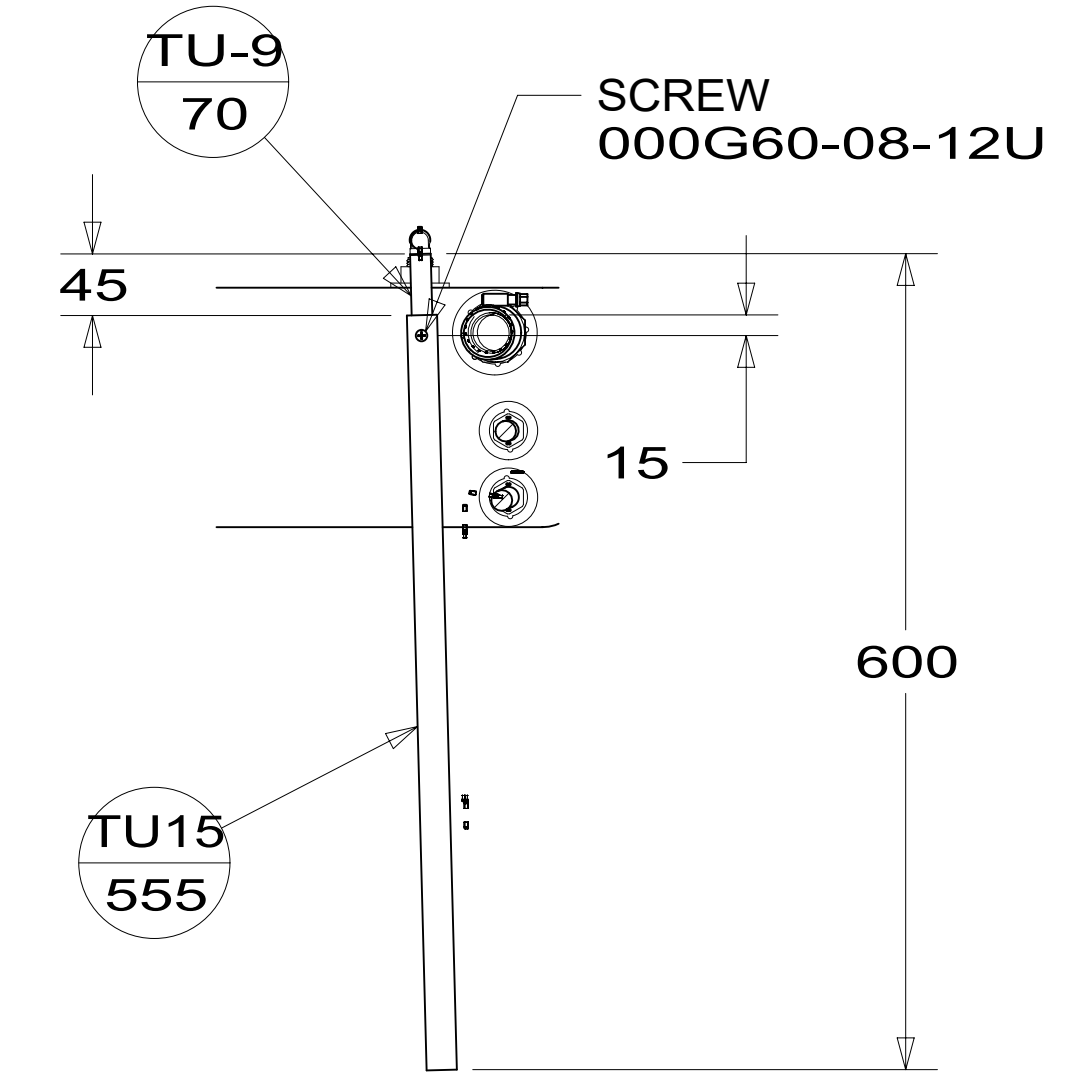
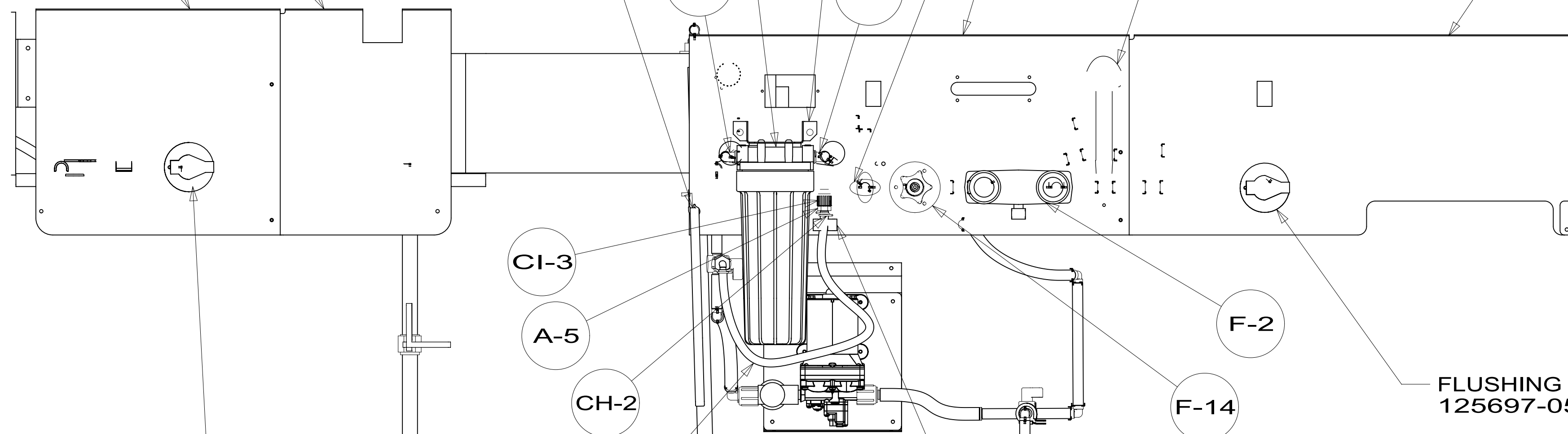
PANEL-SERVICE CENTER  
146163-06-CHT

WRENCH-FILTER,PLASTIC  
155482-03-CHT  
CLIP-J  
077955-01-000  
RIVET  
113133-01-CHT

PANEL-SERVICE CENTER  
000128125 / 324900-01-CHT

PANEL-SERVICE CENTER  
146163-14-CHT

PANEL-SERVICE CENTER  
146164-11-CHT

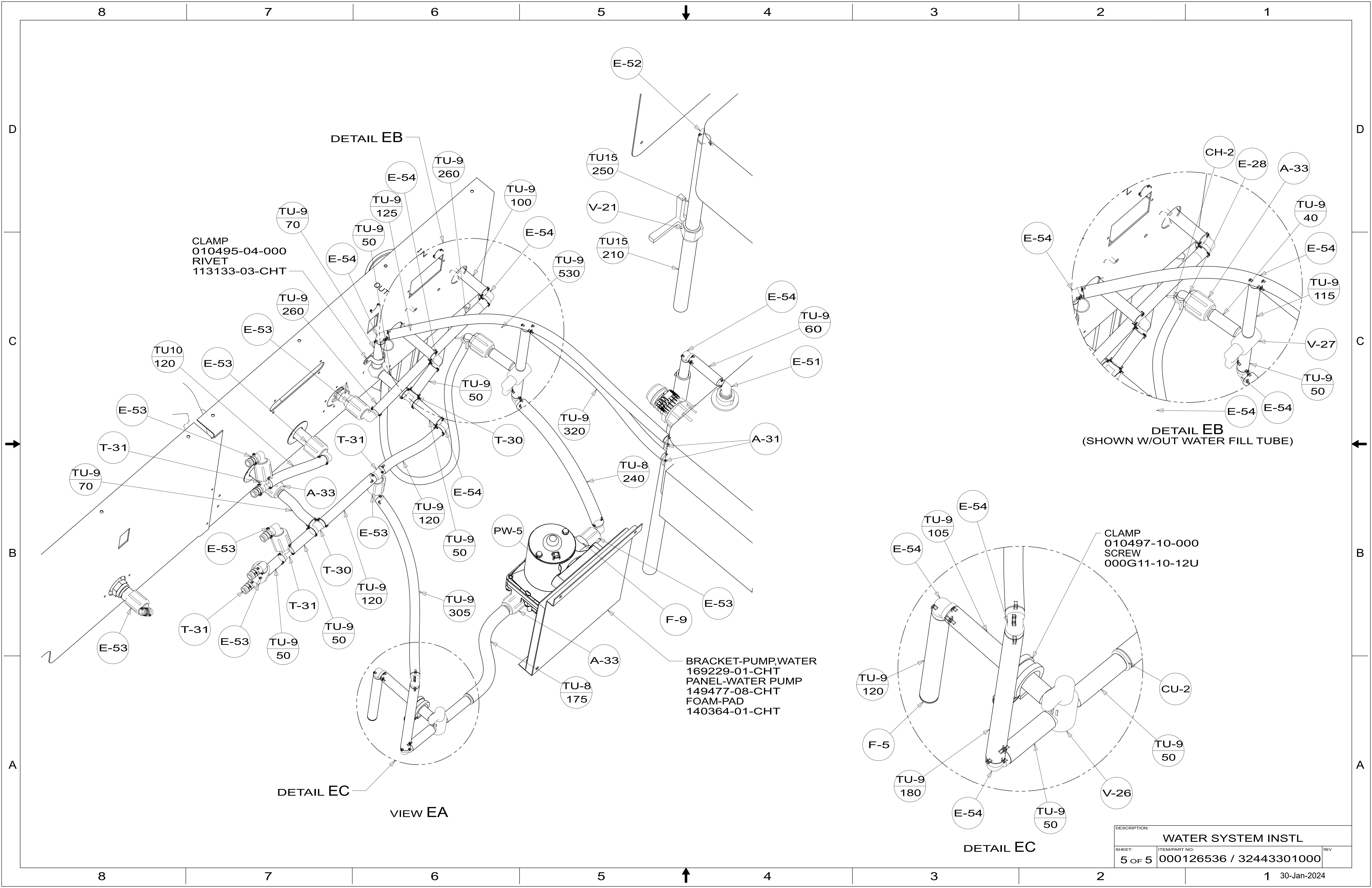


SECTION DB-DB

VIEW DA

FLUSHING SYSTEM  
125697-05-000

DESCRIPTION:		
WATER SYSTEM INSTL		
SHEET:	ITEM/PART NO.:	REV
4 OF 5	000126536 / 32443301000	



CLAMP  
010495-04-000  
RIVET  
113133-03-CHT

BRACKET-PUMP, WATER  
169229-01-CHT  
PANEL-WATER PUMP  
149477-08-CHT  
FOAM-PAD  
140364-01-CHT

CLAMP  
010497-10-000  
SCREW  
000G11-10-12U

DETAIL EB

DETAIL EB  
(SHOWN W/OUT WATER FILL TUBE)

DETAIL EC

DETAIL EC

VIEW EA

DESCRIPTION:		
WATER SYSTEM INSTL		
SHEET:	ITEM/PART NO.:	REV
5 OF 5	000126536 / 32443301000	