

FRONT
OF
COACH

- 9. SEE DRAWING 061607 FOR INSTALLATION OF GROMMETS.
- 8. SECURE DRAINAGE PIPES TO CABINET USING WIRE TIE 108046-02-000, AND SCREW 000G67-10-12U AT INTERVALS OF NOT OF NOT MORE THAN 4 FEET APART.
- 7. SECURE VENT PIPE TO FLOOR WITH CLAMP 000156237 / 326663-02-000 (3), SCREW 000G67-10-12U (3), BRACKET 136878-01-CHT (3).
- 6. VENT PIPE MUST PROJECT 51 MIN AND 64 MAX ABOVE ROOF FOR PROPER FIT AND FUNCTION. ADD S-1 (000156100 / 326608-01-CHT SEAL-VENT PIPE) AROUND PIPE ON ROOF BEFORE VENT CAP IS INSTALLED.
- 5. SEAL AROUND SHOWER WITH SILICONE.
- 4. USE SMOOTH PLUMBERS PUTTY 167459-01-000 TO SEAL STRAINER (0.2 PER STRAINER).
- 3. ALL PIPE AND FITTINGS TO BE ASSEMBLED WITH SOLVENT 004020-01-000 (USA), 004020-02-000 (CAN)
- 2. SLOPE OF TRAP ARM MUST BE 6 PER 305 mm.
- 1. SLOPE OF HORIZONTAL PIPING TO BE MINIMUM OF 3 PER 305 mm.

NOTES:

- 265 CODES/STDS-CSA/CMVSS
- 1B1 CODES/STANDARDS-USA

WINNEBAGO
COPYRIGHT 2018 WINNEBAGO INDUSTRIES, INC.

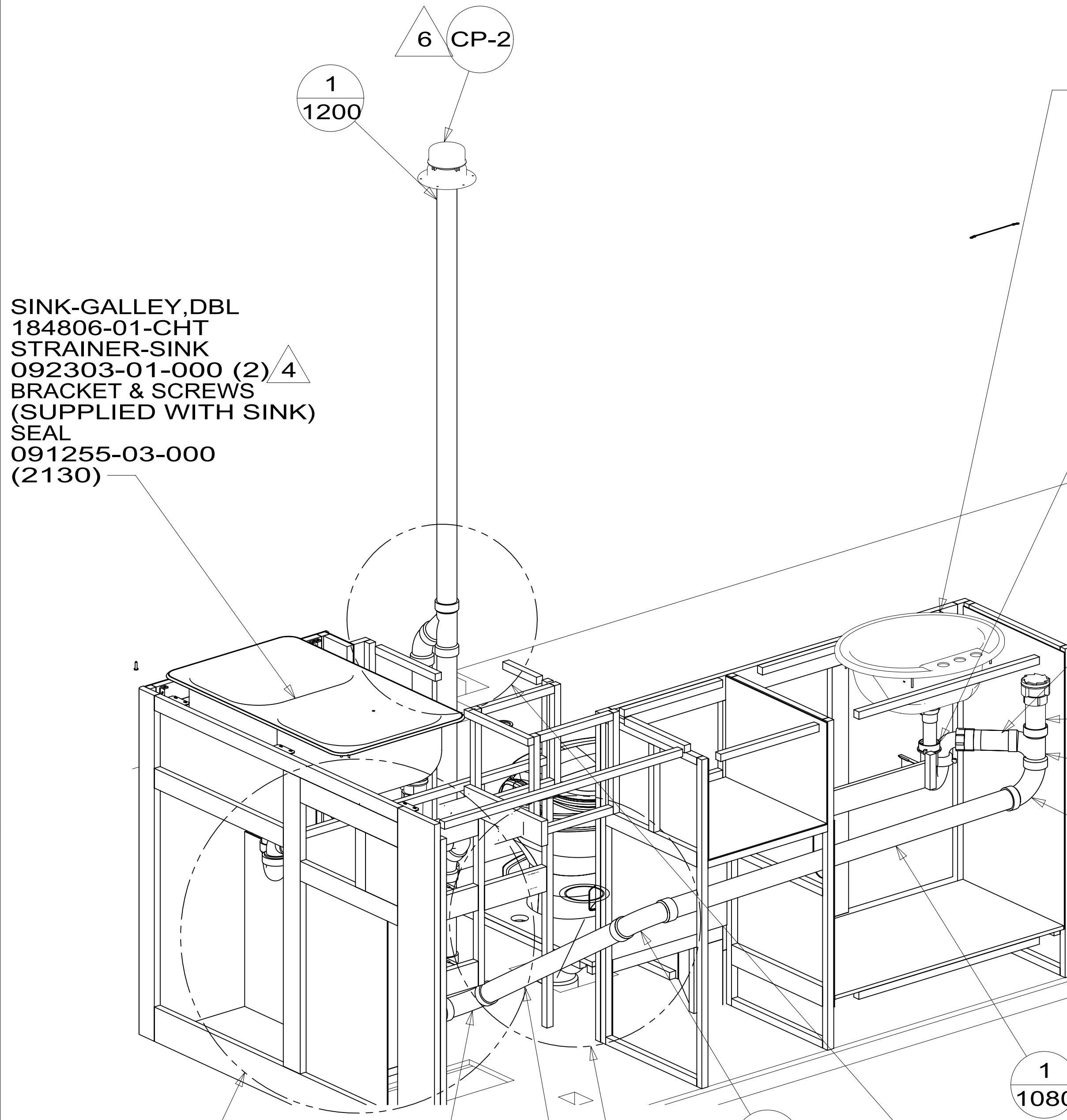
DSNR:		ALL DIMENSIONS ARE IN MILLIMETERS	
DIFTR:		18 E30T	
UNSPECIFIED TOLERANCES:		MATERIAL:	
WHOLE DIM (X)	3		
ONE-PLACE (X.X)	1.5		
TWO-PLACE (X.XX)	0.50		
ANGLE	1°		
REFER TO ES0018 FOR FASTENER TIGHTENING GUIDELINES		WEIGHT: (LBS)	FIRST USED: (REF)
DESCRIPTION:		18 E30T	
DRAINAGE SYSTEM INSTL			
SHEET:	ITEM/PART NO.:	REV	
1 OF 4	000125290 / 32412401000		
REF:		1 31-Jan-2018	

FOR
DRAINAGE
CALLOUTS
SEE DWG NO.
000211962 /
303370-01-000

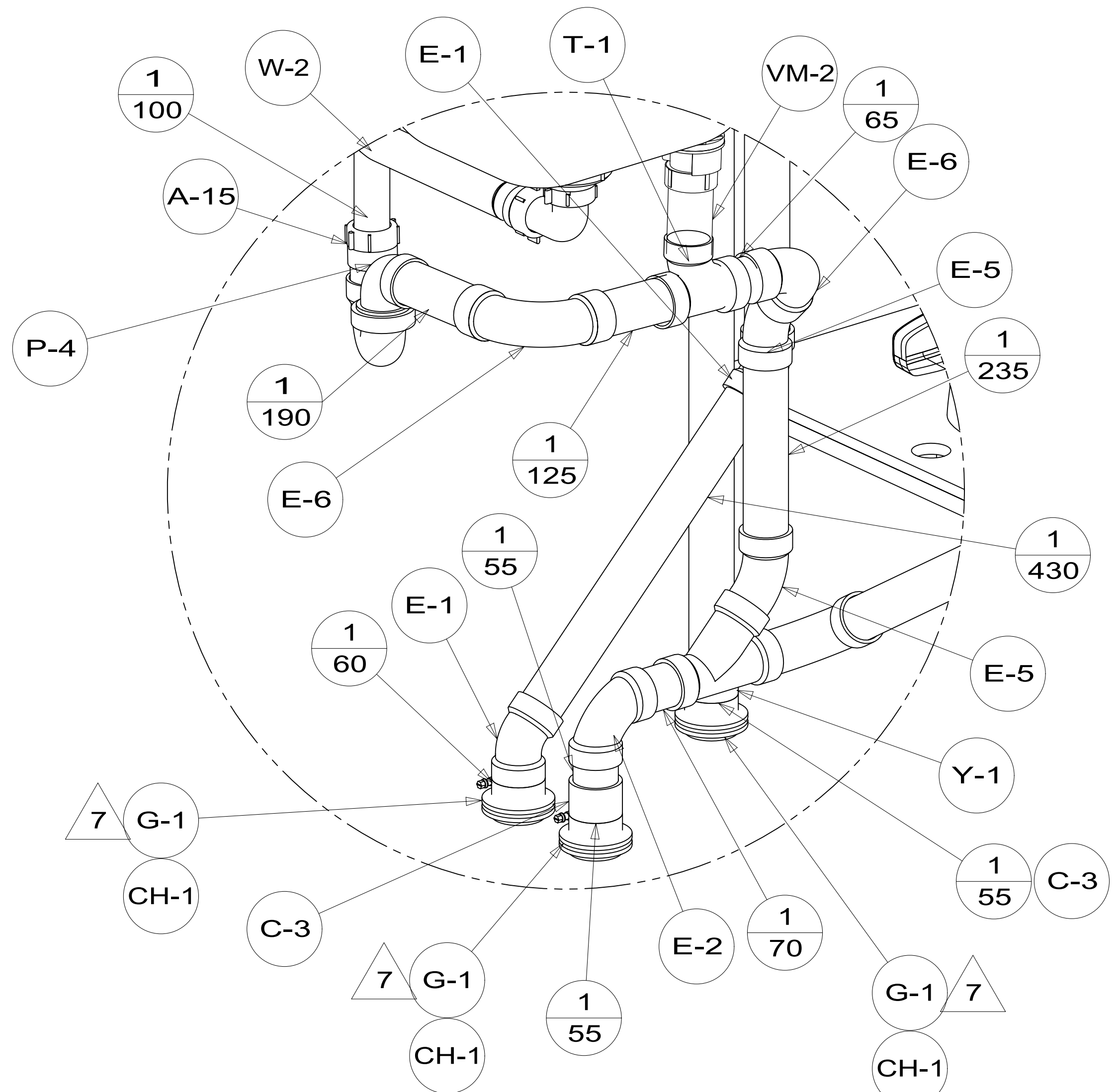
X-X

SINK-GALLEY, DBL
 184806-01-CHT
 STRAINER-SINK
 092303-01-000 (2) 4
 BRACKET & SCREWS
 (SUPPLIED WITH SINK)
 SEAL
 091255-03-000
 (2130)

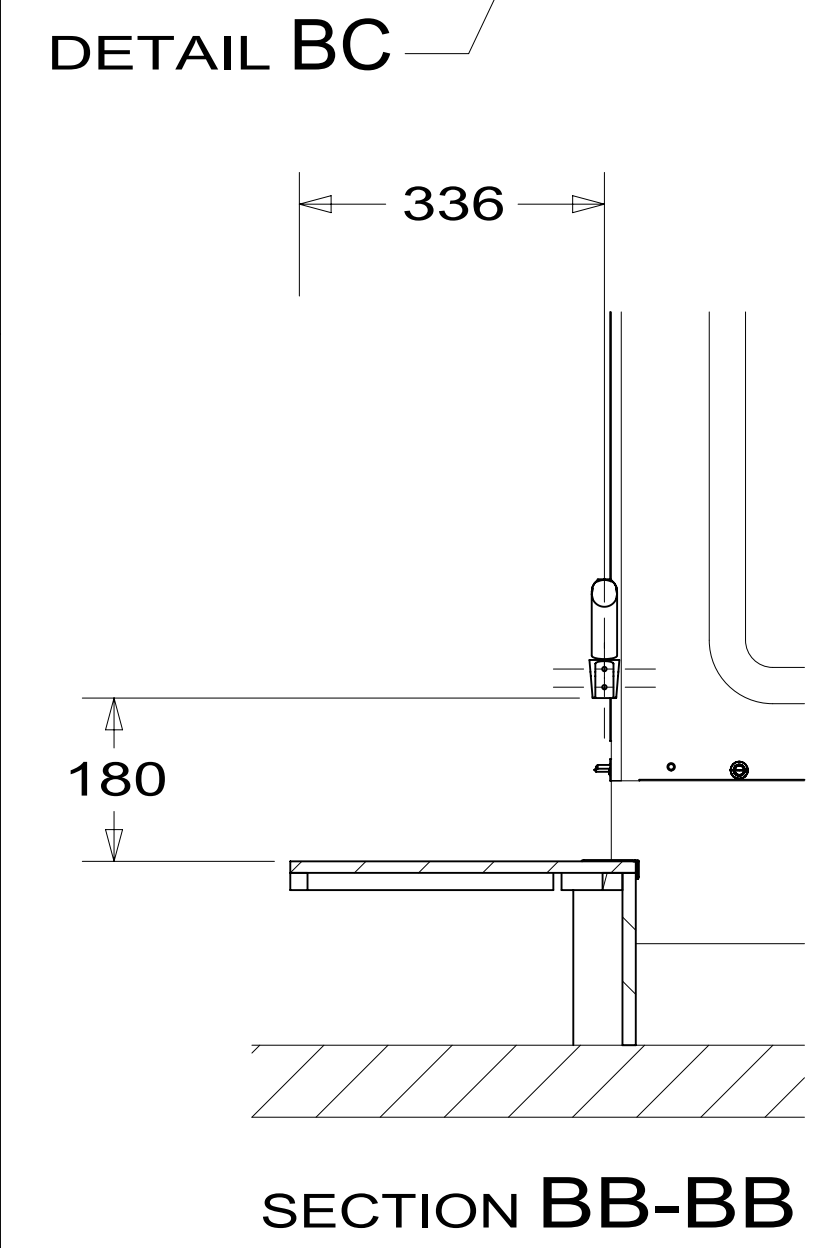
SINK-LAVATORY, OVAL, 14X17
 000026369 / 315733-01-CHT
 SEAL
 091255-02-000 (A/R)
 STRAINER ASM
 106116-01-CHT



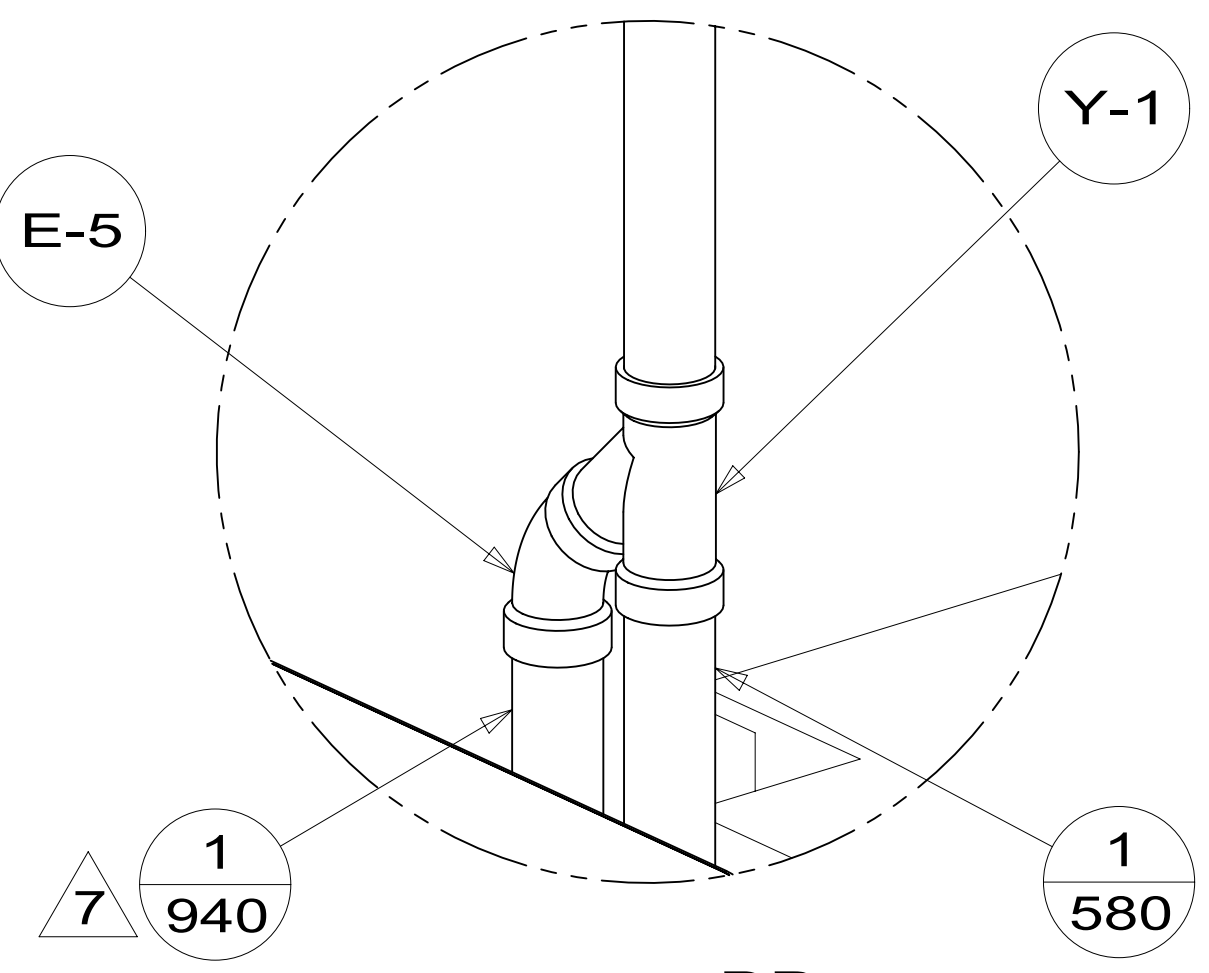
- P-1 1B1
- P-3 265
- A-15 1B1
- 1 80 1B1
- 1 135 265



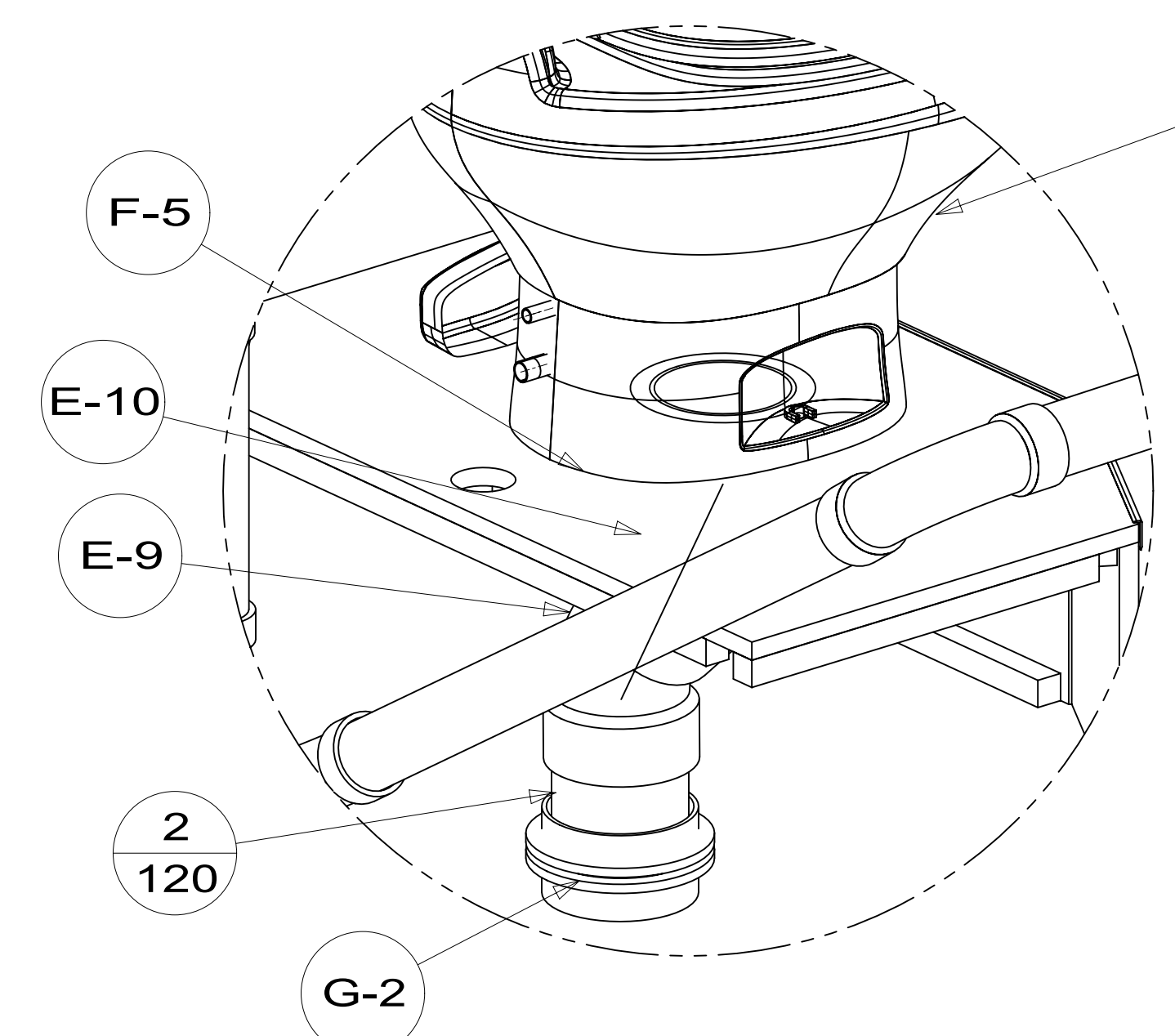
DETAIL BC
 (SHOWN W/OUT CABINETS AND FLOOR)



VIEW BA



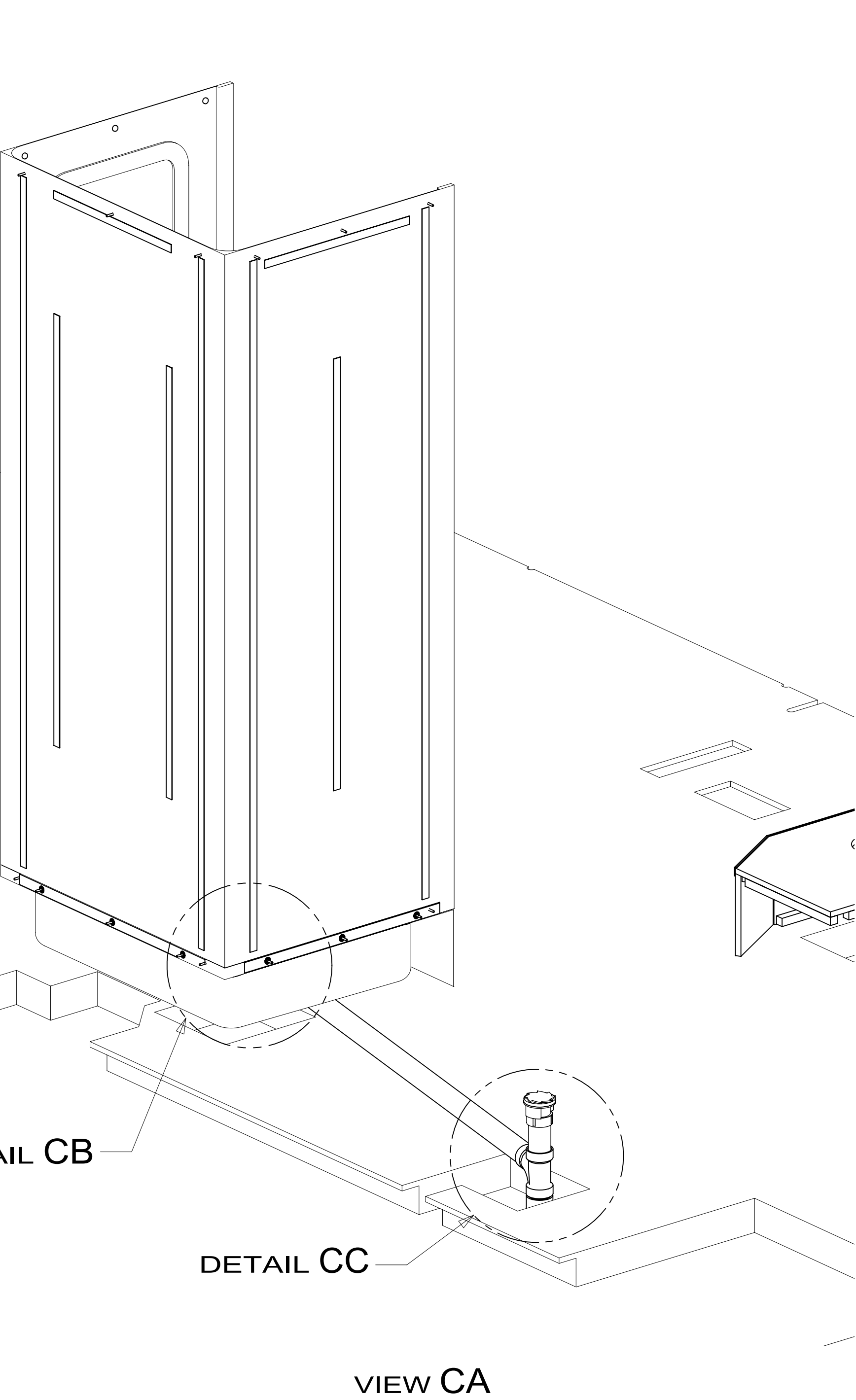
DETAIL BD
 (SHOWN W/OUT CABINETS)



DETAIL BE
 (SHOWN W/OUT CABINETS AND FLOOR)

TOILET, LOW
 160815-04-CHT
 (FOOT FLUSH)
 SCREW
 087721-01-000 (6)

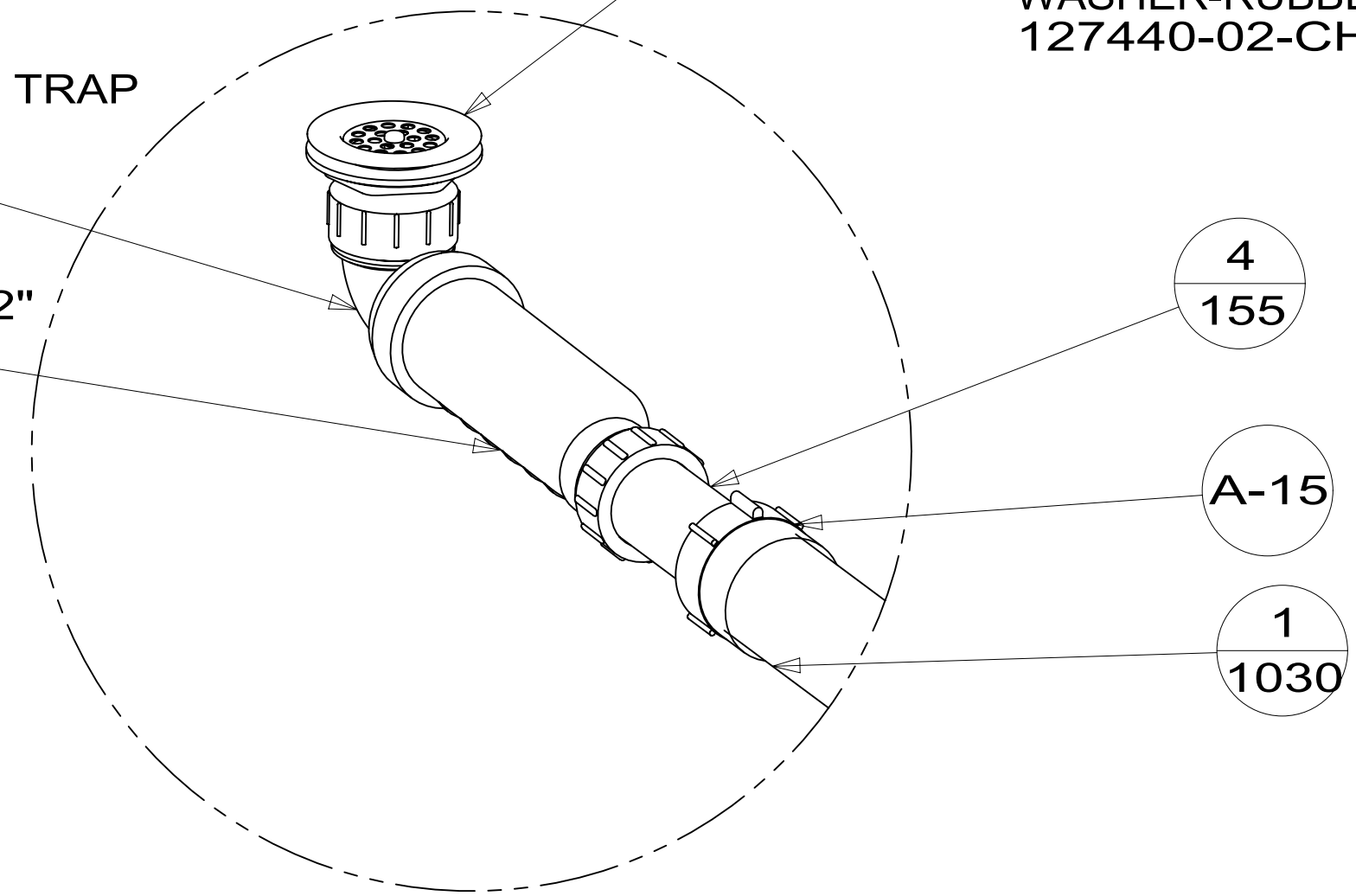
DESCRIPTION: DRAINAGE SYSTEM INSTL		
SHEET: 2 OF 4	ITEM/PART NO: 000125290 / 32412401000	REV



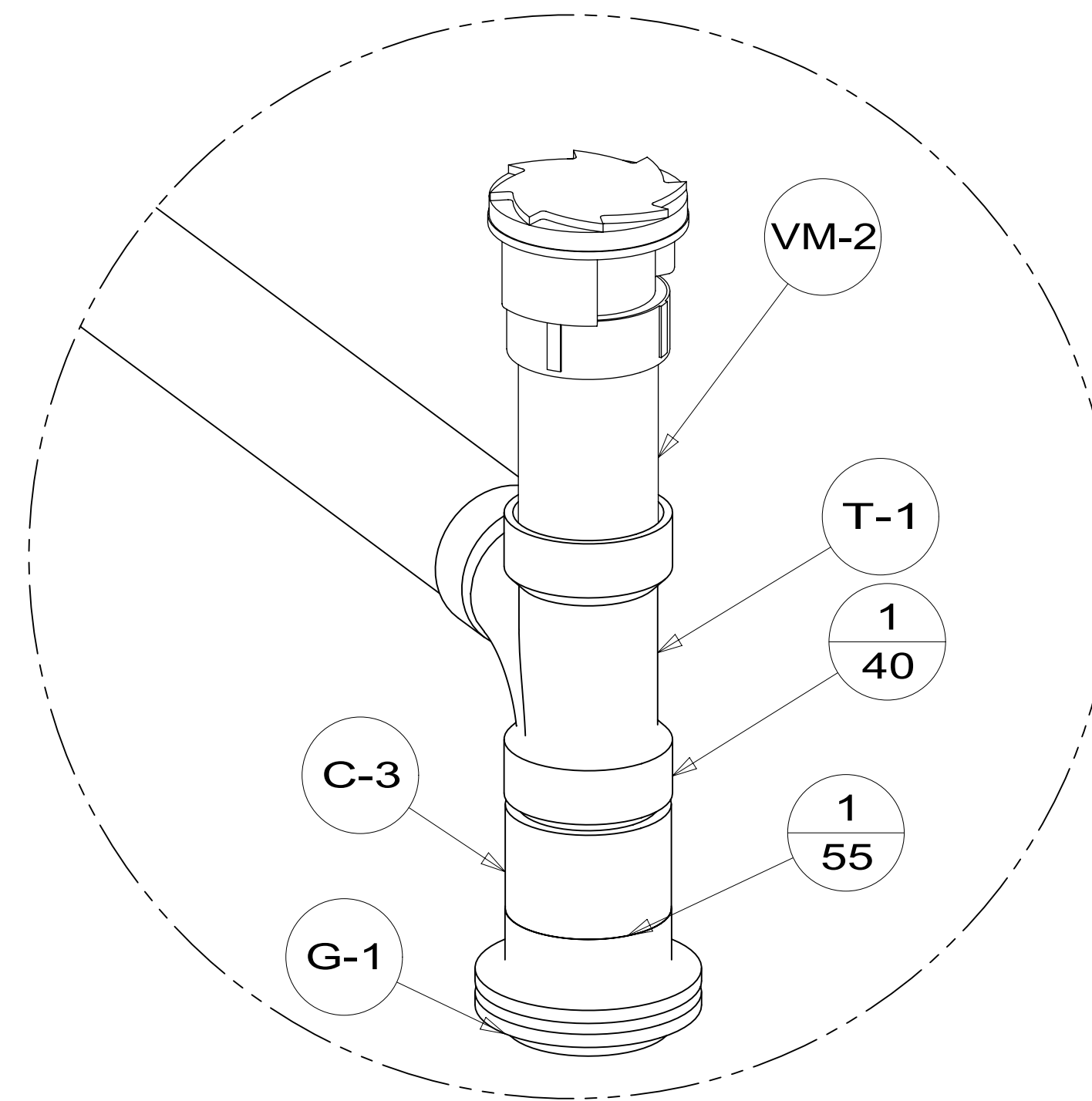
ADAPTER-ANGLE, WATERLESS TRAP
165406-02-000

TRAP-WATERLESS, 1-1/2"
165406-01-000

SHOWER INSTL-ENCLOSURE
189050-04-000
STRAINER
066440-01-000
SEALER
069640-01-000
WASHER-RUBBER
127440-02-CHT

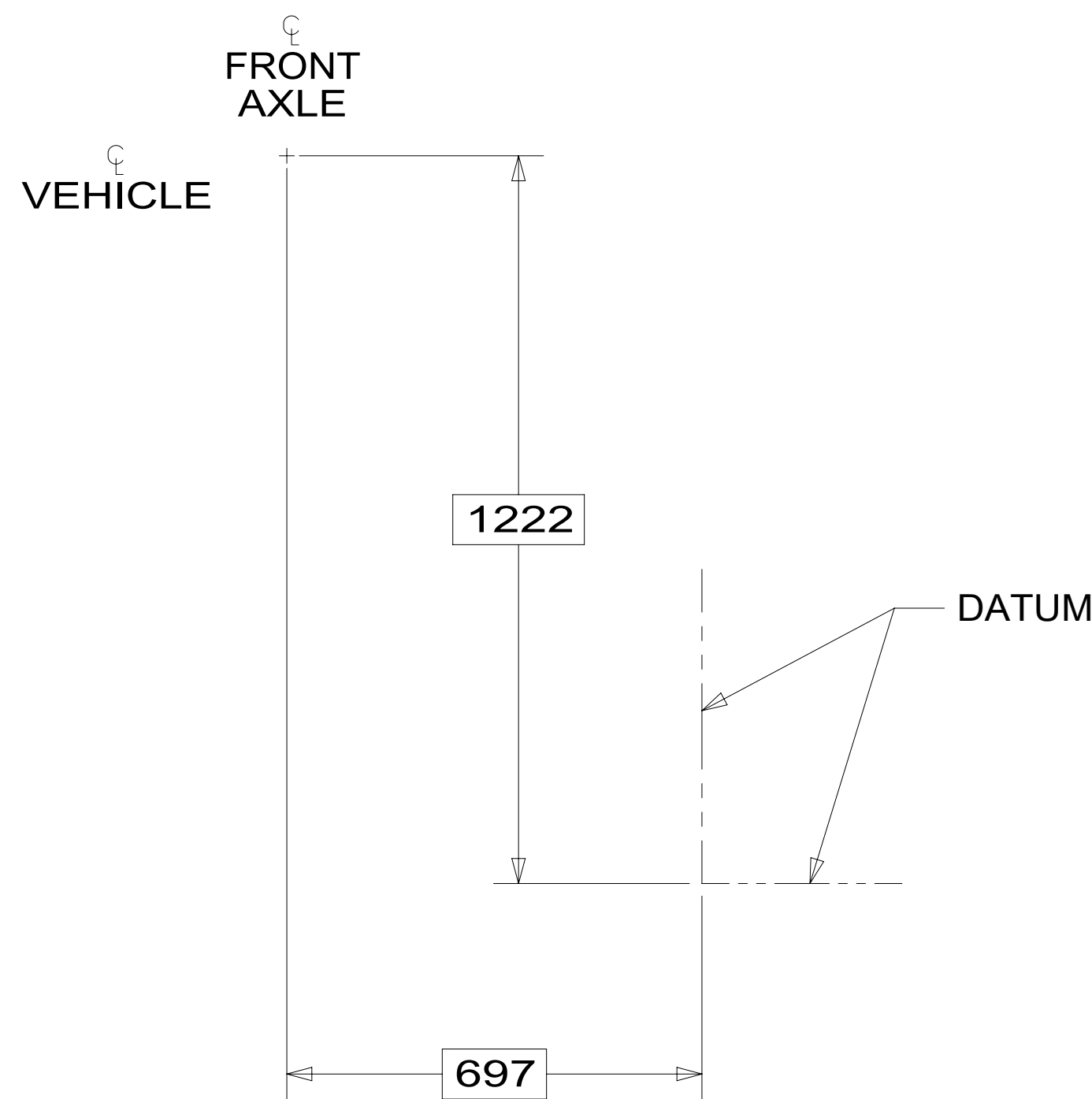
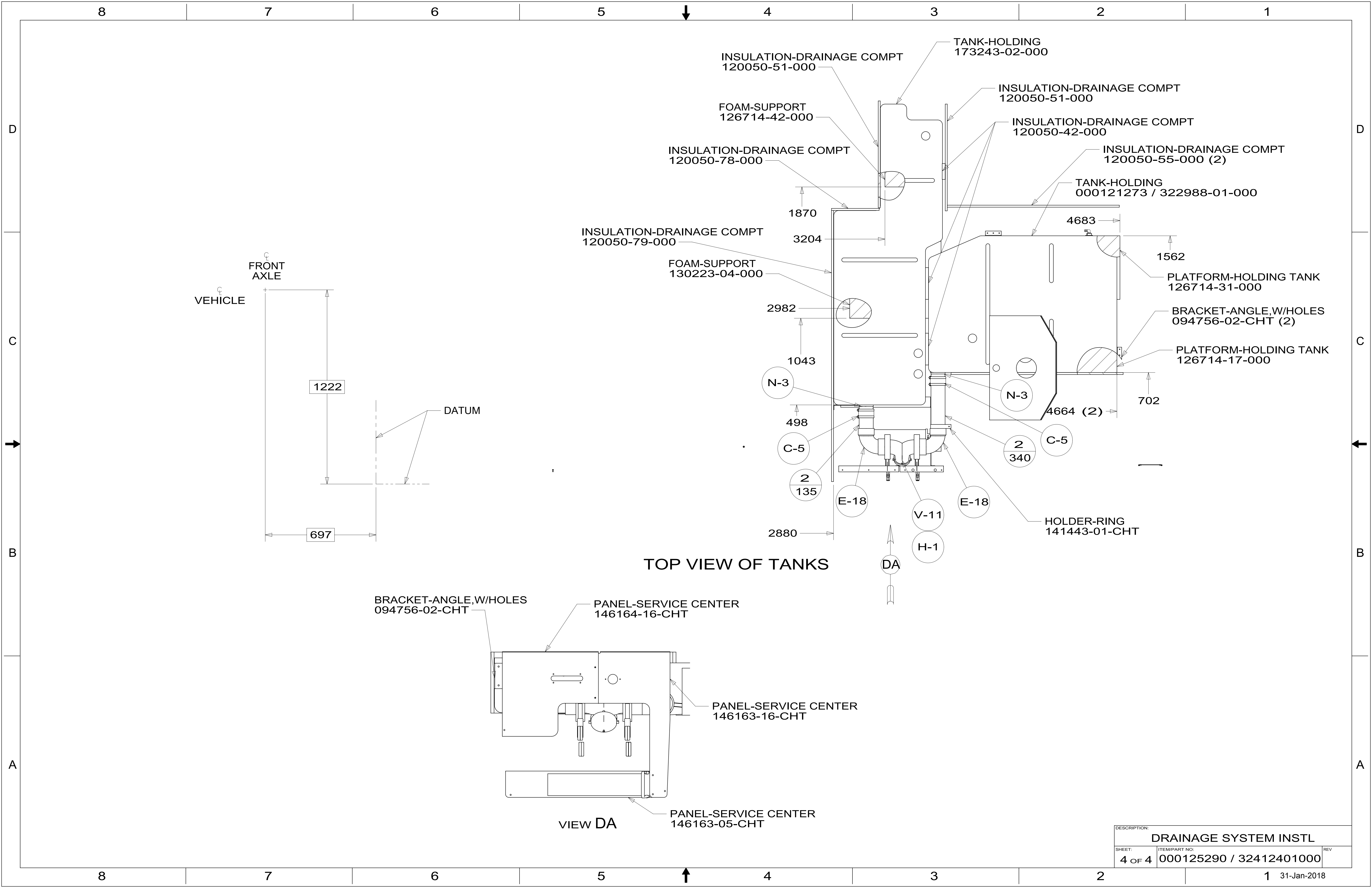


DETAIL CB
(SHOWN W/OUT SHOWER PAN AND FLOOR)

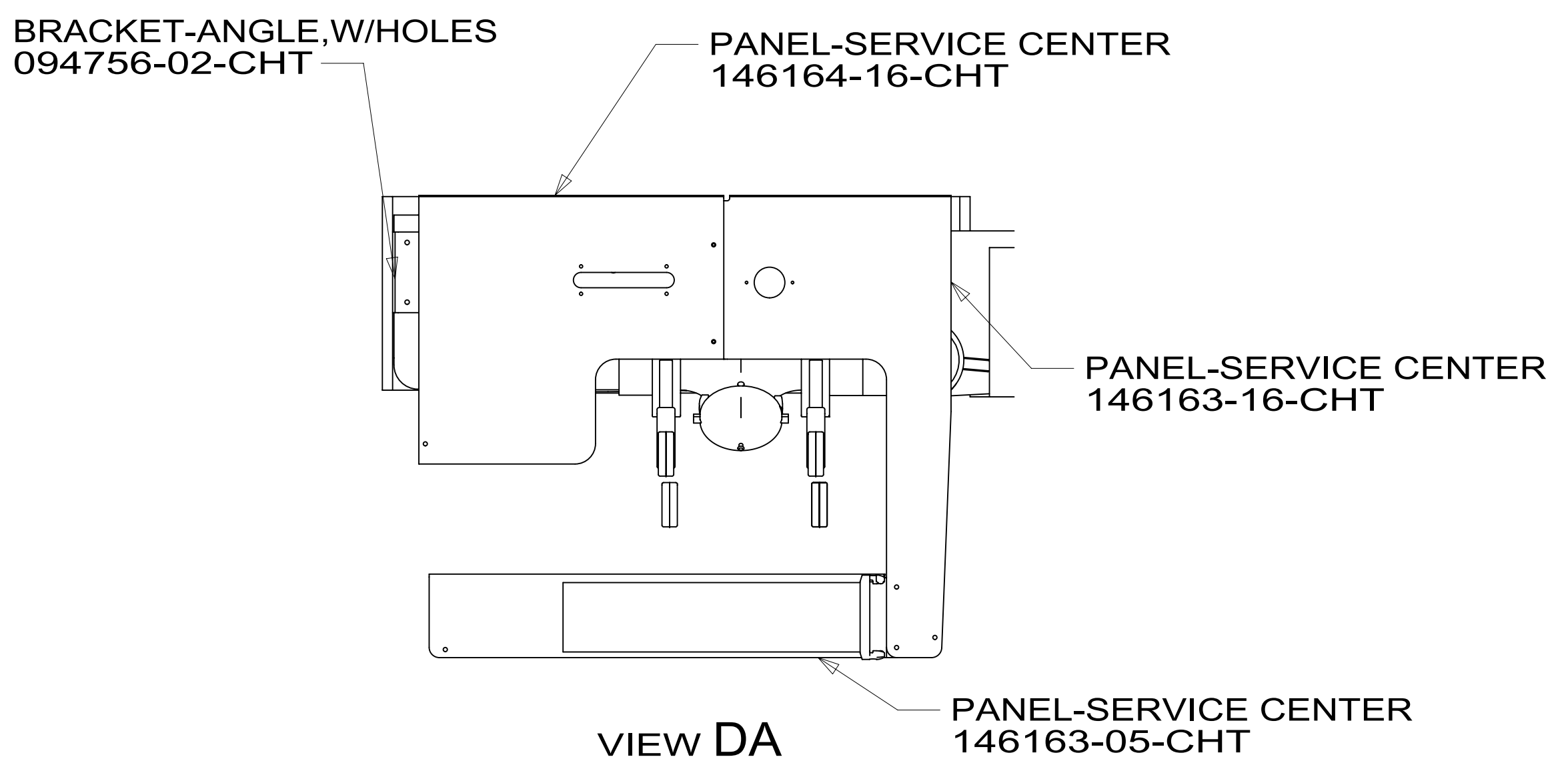


DETAIL CC
(SHOWN W/OUT CABINETS AND FLOOR)

DESCRIPTION: DRAINAGE SYSTEM INSTL		
SHEET: 3 OF 4	ITEM/PART NO: 000125290 / 32412401000	REV



TOP VIEW OF TANKS



DESCRIPTION:		
DRAINAGE SYSTEM INSTL		
SHEET:	ITEM/PART NO:	REV
4 OF 4	000125290 / 32412401000	