

3 45B WIRE ASM-BED LIFT
195046-01-000

45D 3 PIN HOUSING
TO SIDEWALL

45B 3 PIN HSG
TO WIRE ASM-
BED LIFT

3 WIRING TO
LOFT BED

45D READ-4

WIRE ASM-IP.MAIN
000024288 / 314955-01-000

RING TERMINAL (4)
TO GROUND BOLT

TO RELAYS

CLIP-WIRE, NYLON
080734-02-000
TIE-WIRE
008343-01-000

6 PIN HOUSING
TO LEFT MIRROR

12 AND 4 PIN
HOUSINGS TO SIDEWALL

GROMMET
023942-02-000

TO GROUND STUD
2 PIN HOUSING
CONNECTS TO WIRE ASM-
CLEARANCE FRONT

45B 9 PIN HOUSING
TO ROOF

12 PIN HOUSING
TO ROOF

2 PIN HSG
TO SIDEWALL 45D

2 PIN HSG
TO WIRE ASM-
IP.MAIN 45B

TO SUNVISOR SHADE
3 BUTT SPLICES
HHM-BLK
HHN-RED
KE-BRN 4

SPEAKER
94097-01-000 (2)
SCREW
G11-08-20U (6)

TAPE (2)
(400MM) 2

6 PIN HOUSING
TO RIGHT MIRROR

PANEL-SWITCH
MOUNTING,SINGLE
174834-01-CHT
SWITCH-MAP LIGHT
174757-20-CHT 45B
OR
SWITCH-BLANK
145754-01-CHT 45D

USB-CHARGER DUAL,DC
188312-01-000

4 PIN HSG TO PASS
MAP LAMP SWITCH

RECEPTACLE-12V
111414-01-000

45D LOFT BED - WITHOUT

45B LOFT BED

265 CODES/STANDARDS-CSA/CMVSS

1B1 CODES/STANDARDS USA

1B1 265



DSNR:	ALL DIMENSIONS ARE IN MILLIMETERS	
DFFR:		
UNSPECIFIED TOLERANCES:	MATERIAL:	
WHOLE DIM (X) :	3	
ONE-PLACE (X.X) :	1.5	
TWO-PLACE (X.XX) :	0.50	
ANGLE :	1°	
REFER TO ES0018 FOR FASTENER TIGHTENING GUIDELINES	WEIGHT: (LBS)	FIRST USED: 18 E-SER

WIRING INSTL-FRONT END

SHEET:	ITEM/PART NO.:	REV:
1 OF 10	000124820 / 32401201000	

FOR ELECTRICAL
TORQUE
SPECIFICATIONS
SEE DWG NO.
128783-01-000

FOR ELECTRICAL
CALLOUTS
SEE DWG NO.
121339-01-000

- 4 CUT VISOR WIRING TO 300 MM BEFORE CONNECTING.
- 3 SEE SHEET 10 FOR ADDITIONAL INFORMATION ON LOFT BED.
- 2 USE TAPE 8363-03-000 TO SECURE WIRES IN A-POST.

1. WINNEBAGO WIRE ASSEMBLIES ARE SHOWN FOR CLARITY.

NOTES:

12 PIN HSG
TO WIRE
ASM-CHASSIS

BREAKER PANEL
DETAIL BA

SWITCHES
DETAIL CA

3,4, & 6 PIN HOUSINGS
TO LEVELING SYSTEM CONTROLS

FEMALE TERMINALS
TO JACKS DOWN LAMP

DETAIL CA

8 7 6 5 4 3 2 1

CIRCUIT BREAKER-6 AMP
93654-01-000
SCREW
G52-06-05U
LOCKWASHER
OME02B-04-071

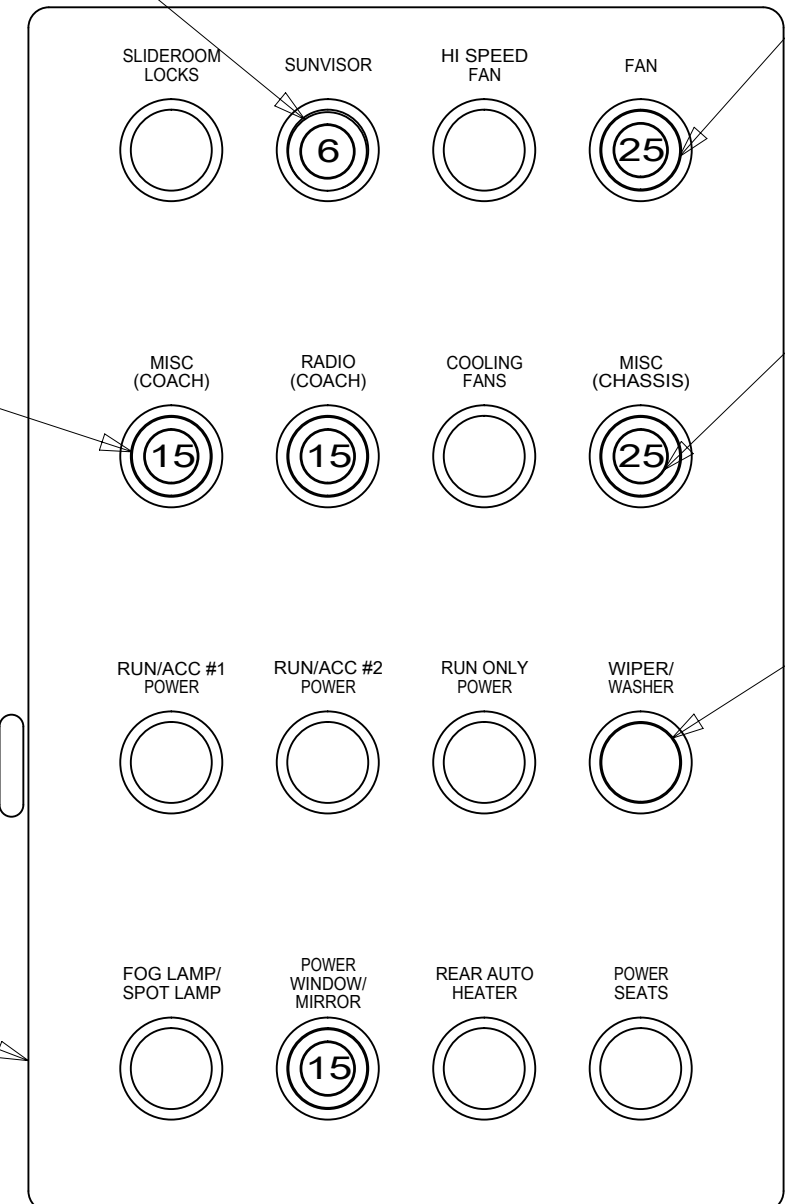
CIRCUIT BREAKER-25 AMP
93655-01-000
SCREW
G52-06-04U
G52-06-05U
LOCKWASHER
OME02B-04-071

CIRCUIT BREAKER-15 AMP
93654-02-000 (3)
SCREW
G52-06-05U (3)

CIRCUIT BREAKER-25 AMP
93655-01-000
SCREW
G52-06-04U
G52-06-05U
LOCKWASHER
OME02B-04-071

LABEL-CIRCUIT BREAKER
93236-66-000

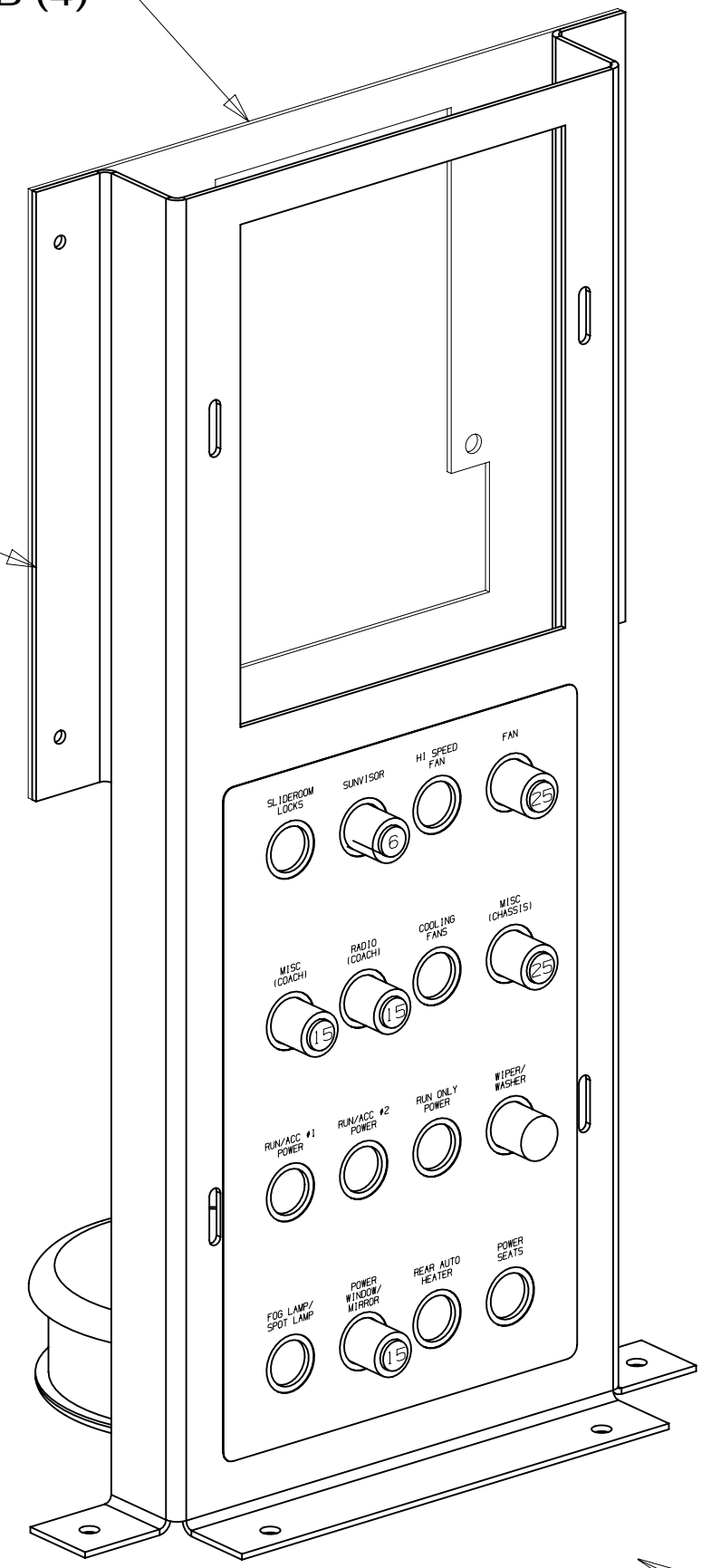
BREAKER-SELF RESET, 20 AMP
182283-01-000
SCREW
G52-06-04U
WASHER-LOCK
OME02B-04-071



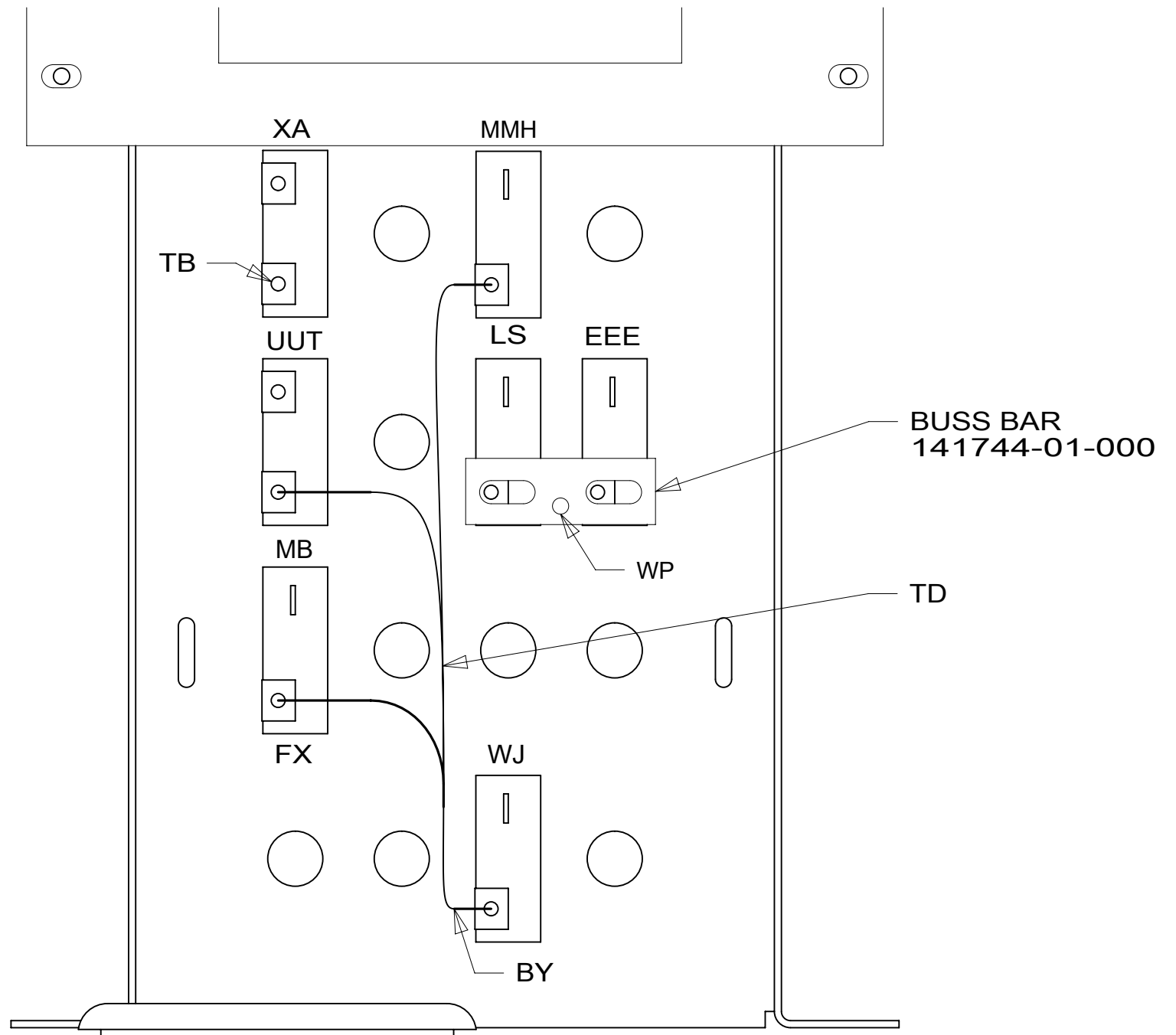
VIEW BB

BRACKET-FUSE PANEL
149690-02-CHT
SCREW
000G11-10-08B (4)

BRACKET-CIRCUIT BREAKER
149689-01-CHT
SCREW
000G11-10-08B (4)



DETAIL BA



VIEW BC

1 ALL CIRCUITS ARE IN WIRE ASM-IP,MAIN.
NOTES:

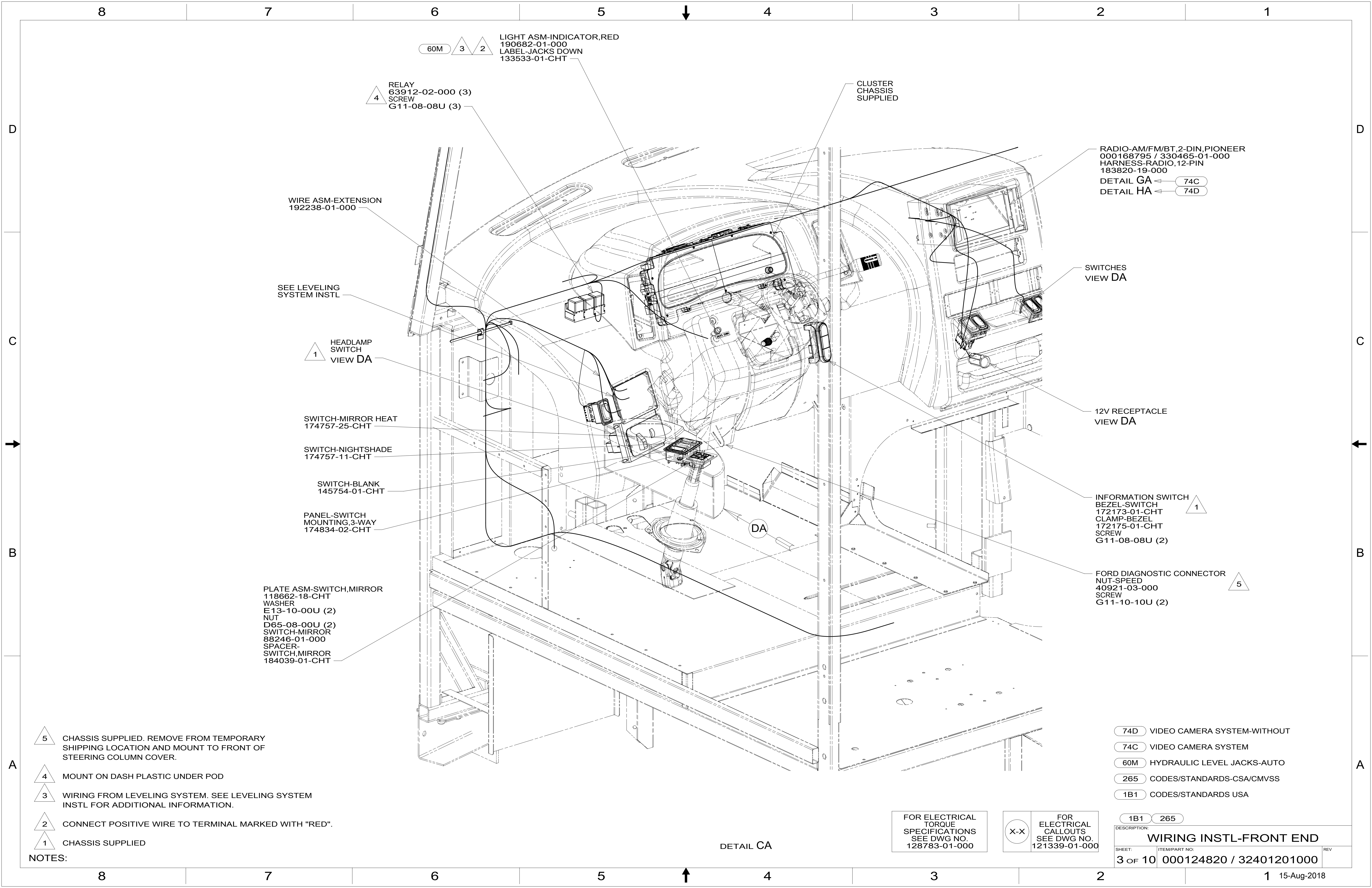
FOR ELECTRICAL TORQUE SPECIFICATIONS SEE DWG NO. 128783-01-000

FOR ELECTRICAL CALLOUTS SEE DWG NO. 121339-01-000

- 265 CODES/STANDARDS-CSA/CMVSS
- 1B1 CODES/STANDARDS USA

DESCRIPTION:		1B1 265
WIRING INSTL-FRONT END		
SHEET:	ITEM/PART NO:	REV
2 OF 10	000124820 / 32401201000	

8 7 6 5 4 3 2 1 15-Aug-2018



60M 3 2 LIGHT ASM-INDICATOR,RED
190682-01-000
LABEL-JACKS DOWN
133533-01-CHT

4 RELAY
63912-02-000 (3)
SCREW
G11-08-08U (3)

WIRE ASM-EXTENSION
192238-01-000

SEE LEVELING
SYSTEM INSTL

1 HEADLAMP
SWITCH
VIEW DA

SWITCH-MIRROR HEAT
174757-25-CHT

SWITCH-NIGHTSHADE
174757-11-CHT

SWITCH-BLANK
145754-01-CHT

PANEL-SWITCH
MOUNTING,3-WAY
174834-02-CHT

PLATE ASM-SWITCH,MIRROR
118662-18-CHT
WASHER
E13-10-00U (2)
NUT
D65-08-00U (2)
SWITCH-MIRROR
88246-01-000
SPACER-
SWITCH,MIRROR
184039-01-CHT

CLUSTER
CHASSIS
SUPPLIED

RADIO-AM/FM/BT,2-DIN,PIONEER
000168795 / 330465-01-000
HARNES-RADIO,12-PIN
183820-19-000
DETAIL GA ← 74C
DETAIL HA ← 74D

SWITCHES
VIEW DA

12V RECEPTACLE
VIEW DA

INFORMATION SWITCH
BEZEL-SWITCH
172173-01-CHT
CLAMP-BEZEL
172175-01-CHT
SCREW
G11-08-08U (2)

FORD DIAGNOSTIC CONNECTOR
NUT-SPEED
40921-03-000
SCREW
G11-10-10U (2)

5 CHASSIS SUPPLIED. REMOVE FROM TEMPORARY
SHIPPING LOCATION AND MOUNT TO FRONT OF
STEERING COLUMN COVER.

4 MOUNT ON DASH PLASTIC UNDER POD

3 WIRING FROM LEVELING SYSTEM. SEE LEVELING SYSTEM
INSTL FOR ADDITIONAL INFORMATION.

2 CONNECT POSITIVE WIRE TO TERMINAL MARKED WITH "RED".

1 CHASSIS SUPPLIED

NOTES:

- 74D VIDEO CAMERA SYSTEM-WITHOUT
- 74C VIDEO CAMERA SYSTEM
- 60M HYDRAULIC LEVEL JACKS-AUTO
- 265 CODES/STANDARDS-CSA/CMVSS
- 1B1 CODES/STANDARDS USA

FOR ELECTRICAL
TORQUE
SPECIFICATIONS
SEE DWG NO.
128783-01-000

FOR
ELECTRICAL
CALLOUTS
SEE DWG NO.
121339-01-000

DESCRIPTION:	1B1 265
WIRING INSTL-FRONT END	
SHEET:	ITEM/PART NO:
3 of 10	000124820 / 32401201000
REV	
	1 15-Aug-2018

DETAIL CA

8 7 6 5 4 3 2 1

D

D

C

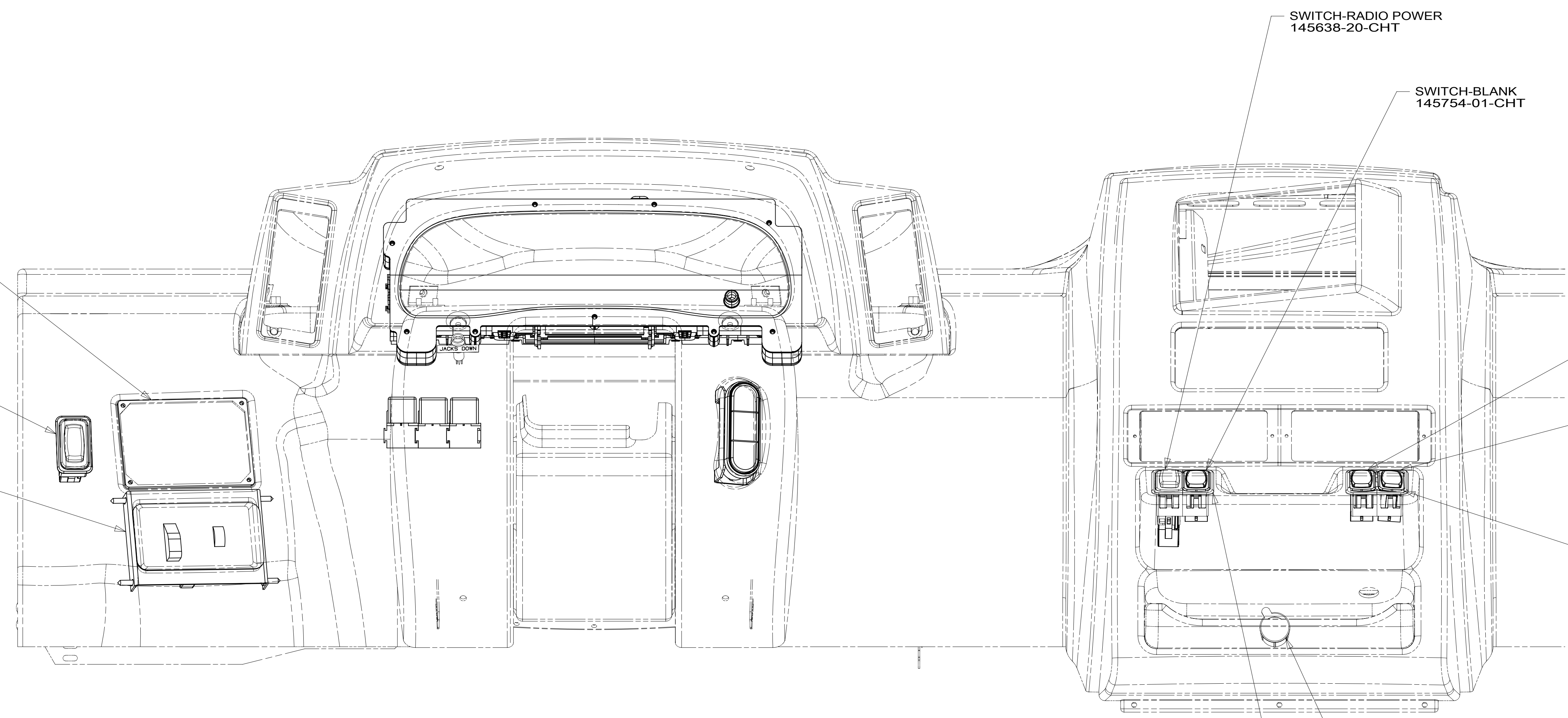
C

B

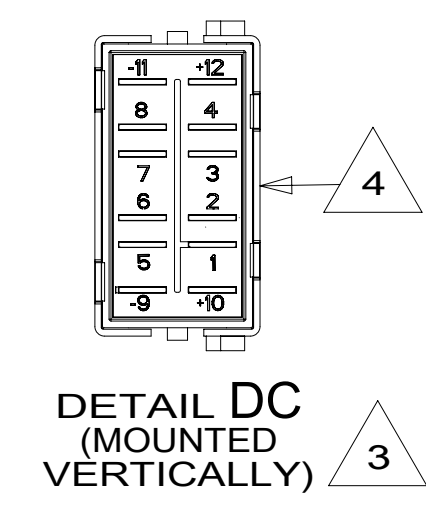
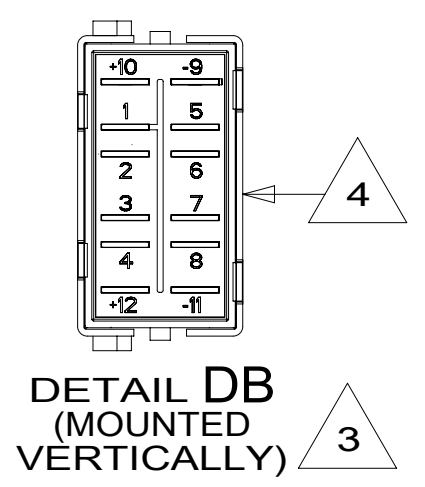
B

A

A



VIEW DA



- NOTES:
- 4 WITH SWITCH INSTALLED THIS SIDE OF SWITCH WILL FACE LEFT SIDEWALL.
 - 3 DETAIL IS LOOKING AT SWITCH FROM THE BACK SIDE OF SWITCH AS ITS INSTALLED.
 - 2 SEE DETAIL DC FOR ORIENTATION.
 - 1 SEE DETAIL DB FOR ORIENTATION.

FOR ELECTRICAL TORQUE SPECIFICATIONS SEE DWG NO. 128783-01-000

FOR ELECTRICAL CALLOUTS SEE DWG NO. 121339-01-000

- 265 CODES/STANDARDS-CSA/CMVSS
- 1B1 CODES/STANDARDS USA

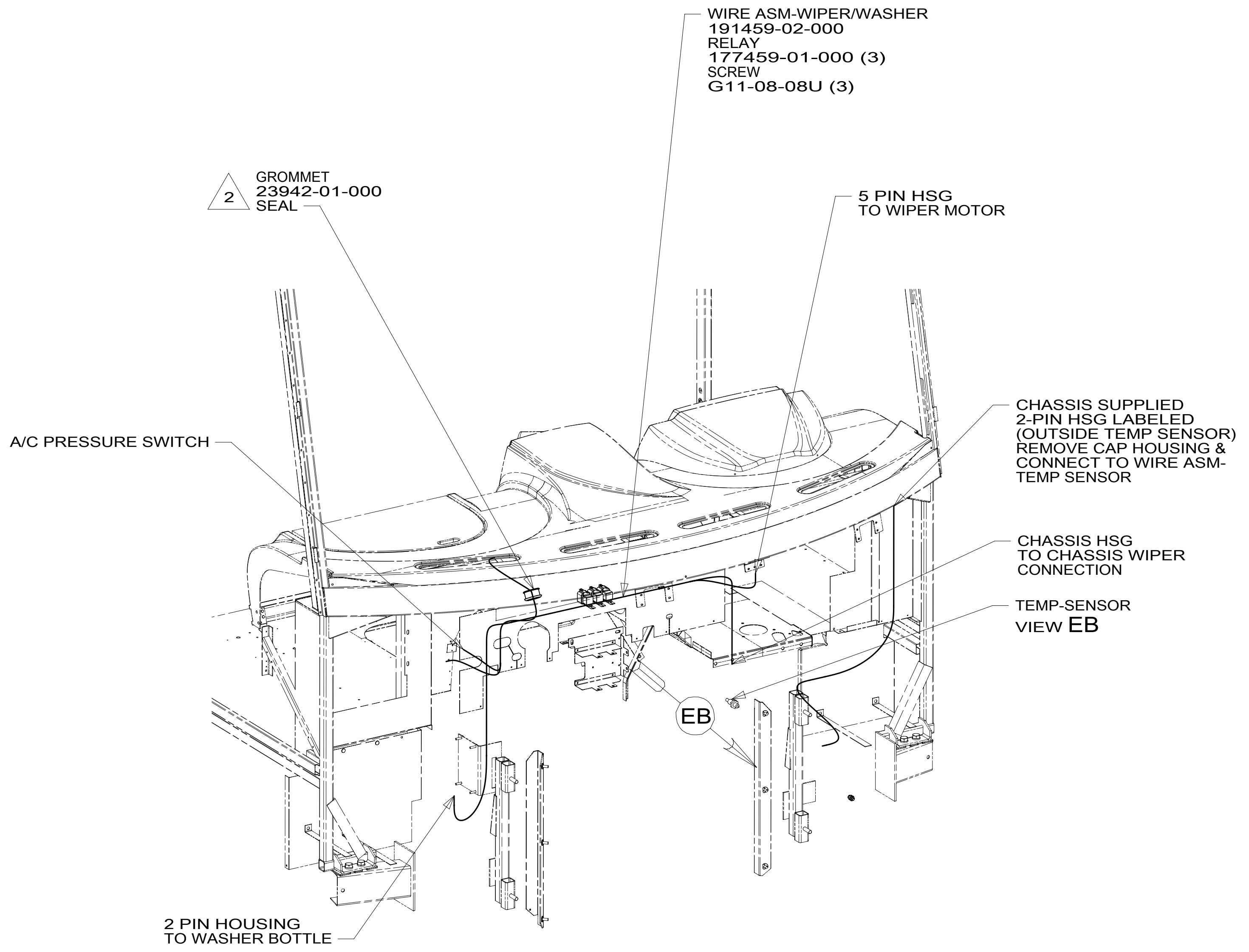
DESCRIPTION:		1B1 265	
WIRING INSTL-FRONT END			
SHEET:	ITEM/PART NO.:	REV	
4 OF 10	000124820 / 32401201000		

8 7 6 5 4 3 2 1 15-Aug-2018

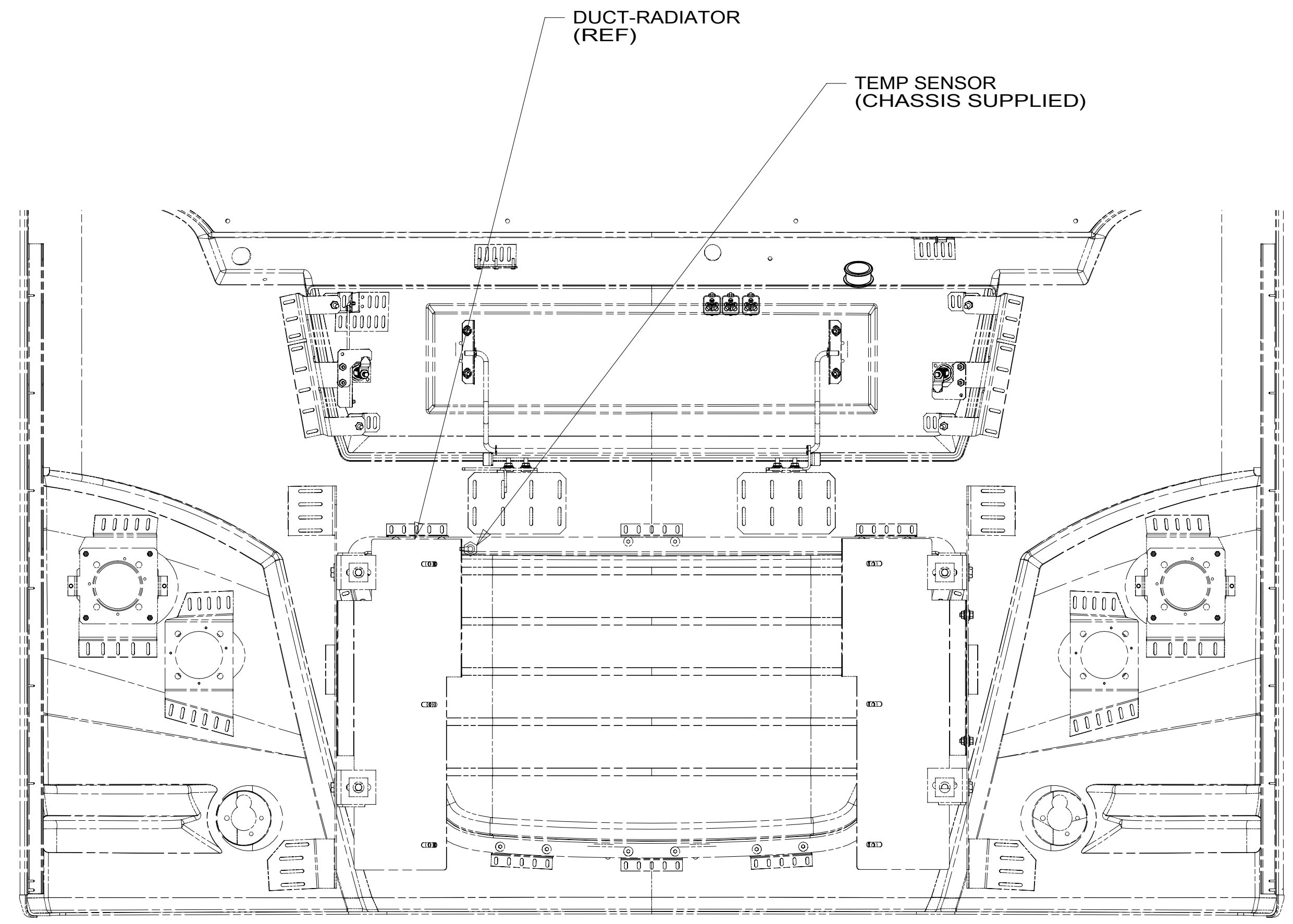
8 7 6 5 4 3 2 1

D
C
B
A

D
C
B
A



DETAIL EA



VIEW EB

- 2 ROUTE WIRES THROUGH HOLE IN STEEL.
- GATHER ALL EXCESS WIRE AFTER MAKING ALL CONNECTIONS. BUNDLE AND SECURE WITH WIRE TIE 8343-01-000 OR 93147-01-000.

NOTES:

265 CODES/STANDARDS-CSA/CMVSS
 1B1 CODES/STANDARDS USA

FOR ELECTRICAL TORQUE SPECIFICATIONS SEE DWG NO. 128783-01-000

FOR ELECTRICAL CALLOUTS SEE DWG NO. 121339-01-000

DESCRIPTION: WIRING INSTL-FRONT END	
SHEET: 5 OF 10	ITEM/PART NO.: 000124820 / 32401201000
REV	

8 7 6 5 4 3 2 1 15-Aug-2018

8 7 6 5 4 3 2 1

D
C
B
A

ANTENNA-RADIO
90944-02-000
CABLE ASM-ANTENNA
90944-03-000
BRACKET-ANTENNA
115916-01-CHT
SCREW
G39-08-08B (2)

74C CAMERA-SIDE, RIGHT
000128127 / 324903-01-000

CAMERA-SIDE, LEFT
000128122 / 324902-01-000 74C

- 4 USE HOLE IN BRACKET AS GUIDE TO DRILL 13 MM DIAMETER HOLE IN FIBERGLASS.
- 3 TO RADIO.
- 2 SEAL AROUND ANTENNA BASE.
- 1 ROUTE CABLES ALONG A-POST, UNDER TRIM COVER.

NOTES:

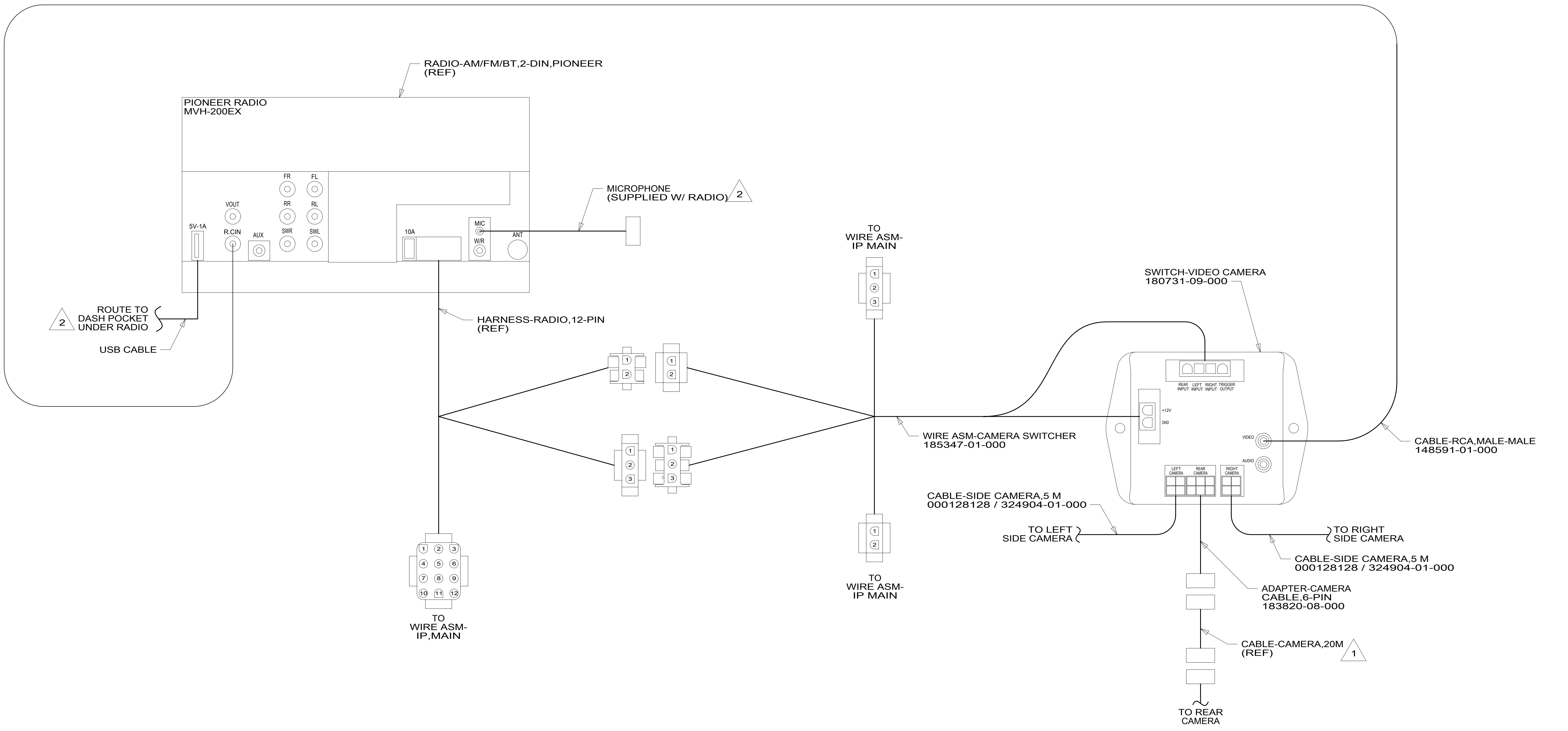
FOR ELECTRICAL TORQUE SPECIFICATIONS SEE DWG NO. 128783-01-000

FOR ELECTRICAL CALLOUTS SEE DWG NO. 121339-01-000

- 74C VIDEO CAMERA SYSTEM
- 265 CODES/STANDARDS-CSA/CMVSS
- 1B1 CODES/STANDARDS USA

DESCRIPTION:		1B1 265	
WIRING INSTL-FRONT END			
SHEET:	ITEM/PART NO.:	REV	
6 OF 10	000124820 / 32401201000		

8 7 6 5 4 3 2 1 15-Aug-2018



DETAIL GA

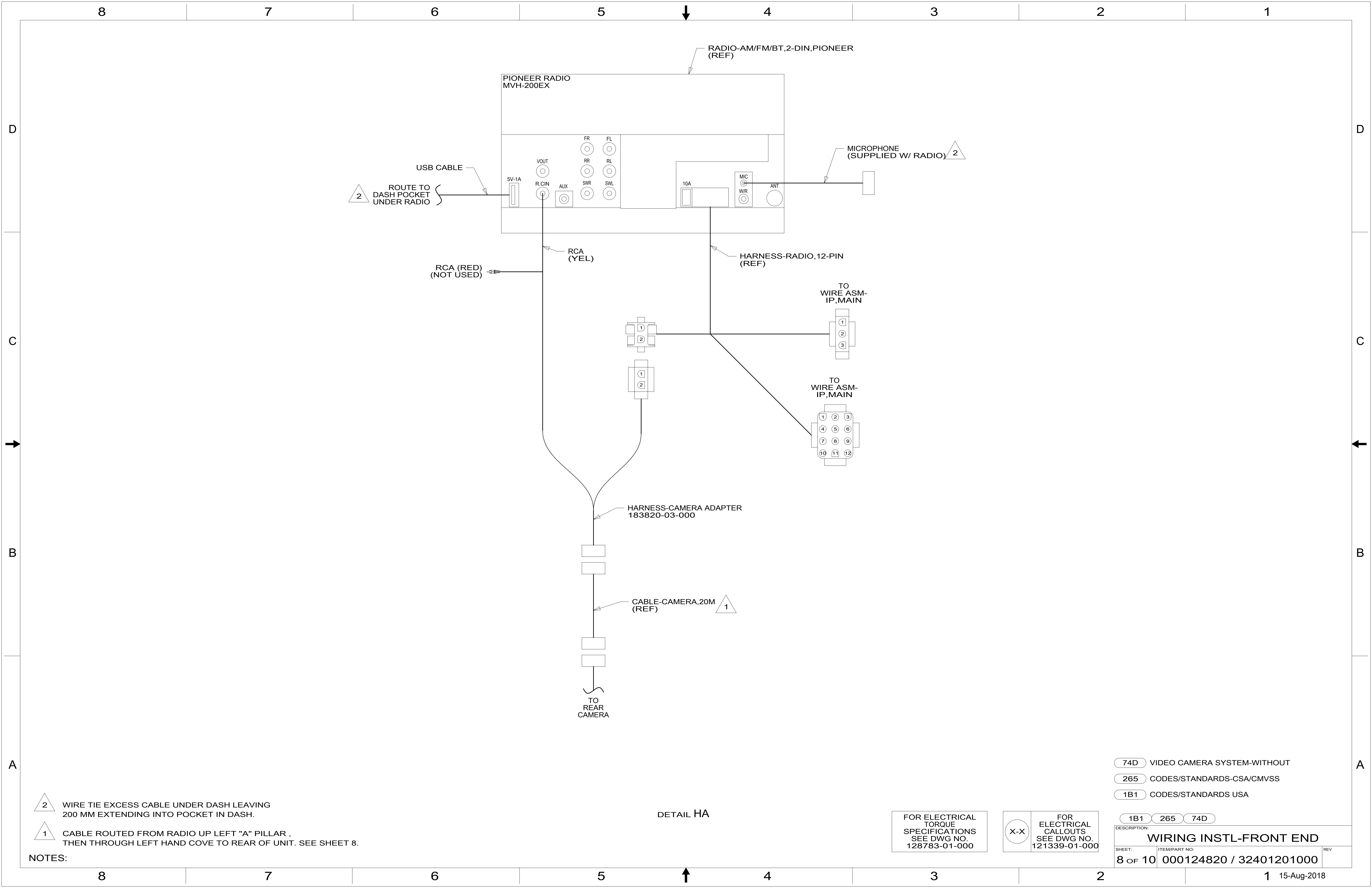
- NOTES:
- 2 WIRE TIE EXCESS CABLE UNDER DASH LEAVING 200 MM EXTENDING INTO POCKET IN DASH.
 - 1 CABLE ROUTED FROM RADIO UP LEFT "A" PILLAR , THEN THROUGH LEFT HAND COVE TO REAR OF UNIT. SEE SHEET 8.

FOR ELECTRICAL TORQUE SPECIFICATIONS SEE DWG NO. 128783-01-000

FOR ELECTRICAL CALLOUTS SEE DWG NO. 121339-01-000

- 74C VIDEO CAMERA SYSTEM
- 265 CODES/STANDARDS-CSA/CMVSS
- 1B1 CODES/STANDARDS USA

DESCRIPTION: WIRING INSTL-FRONT END		
SHEET: 7 OF 10	ITEM/PART NO: 000124820 / 32401201000	REV



2 WIRE TIE EXCESS CABLE UNDER DASH LEAVING 200 MM EXTENDING INTO POCKET IN DASH.
 1 CABLE ROUTED FROM RADIO UP LEFT "A" PILLAR, THEN THROUGH LEFT HAND COVE TO REAR OF UNIT. SEE SHEET 8.

NOTES:

DETAIL HA

FOR ELECTRICAL TORQUE SPECIFICATIONS SEE DWG NO. 128783-01-000

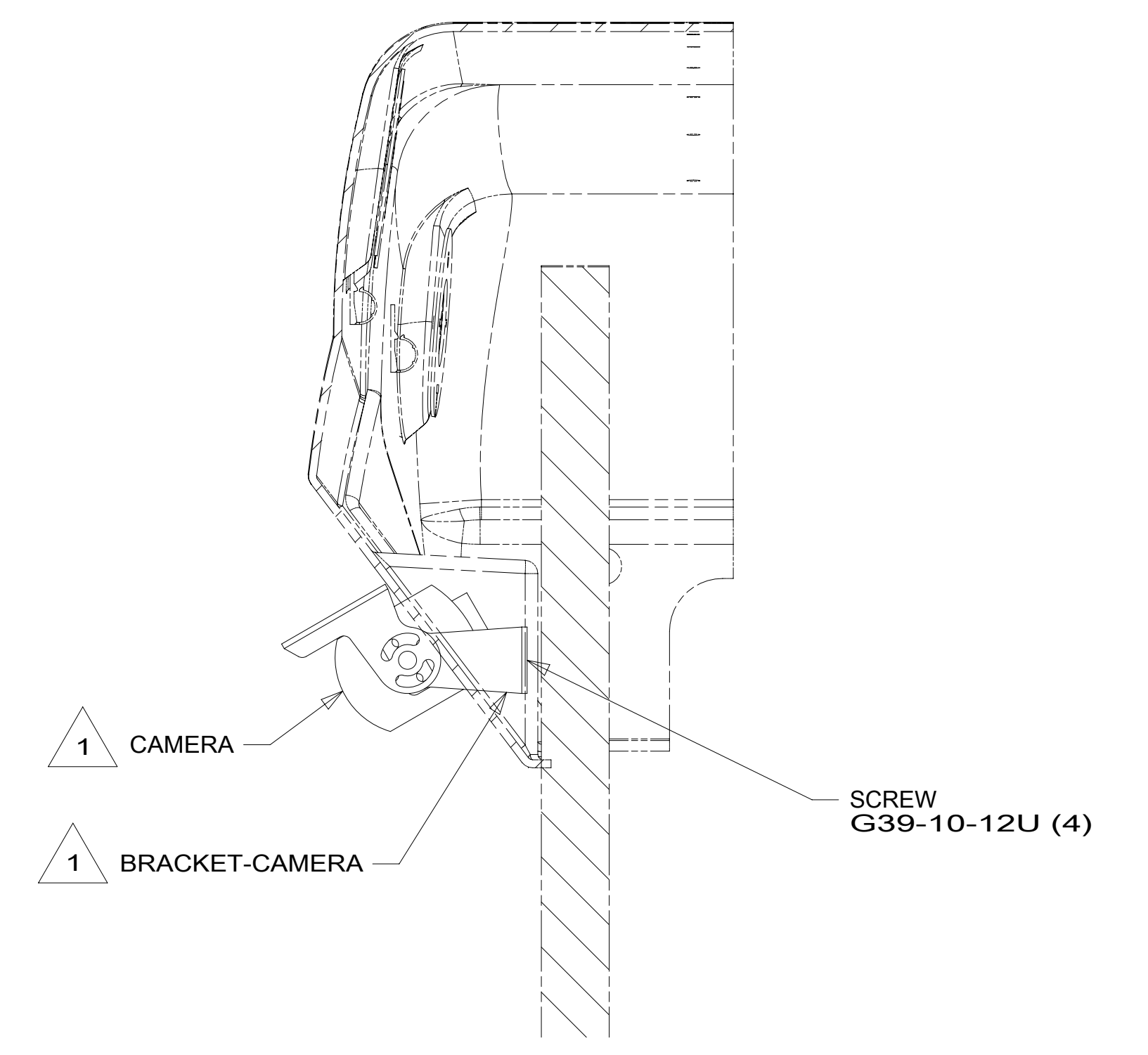
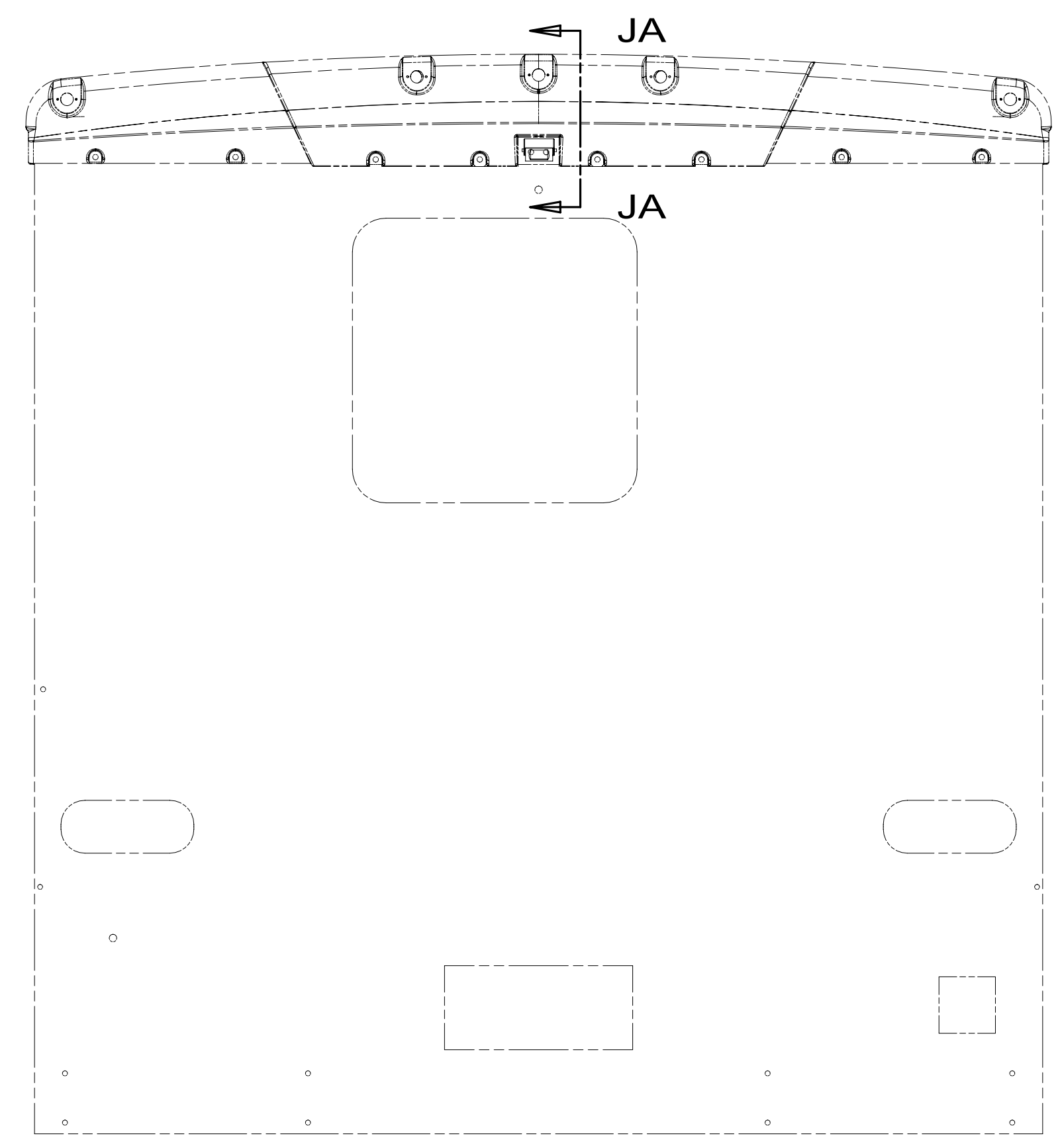
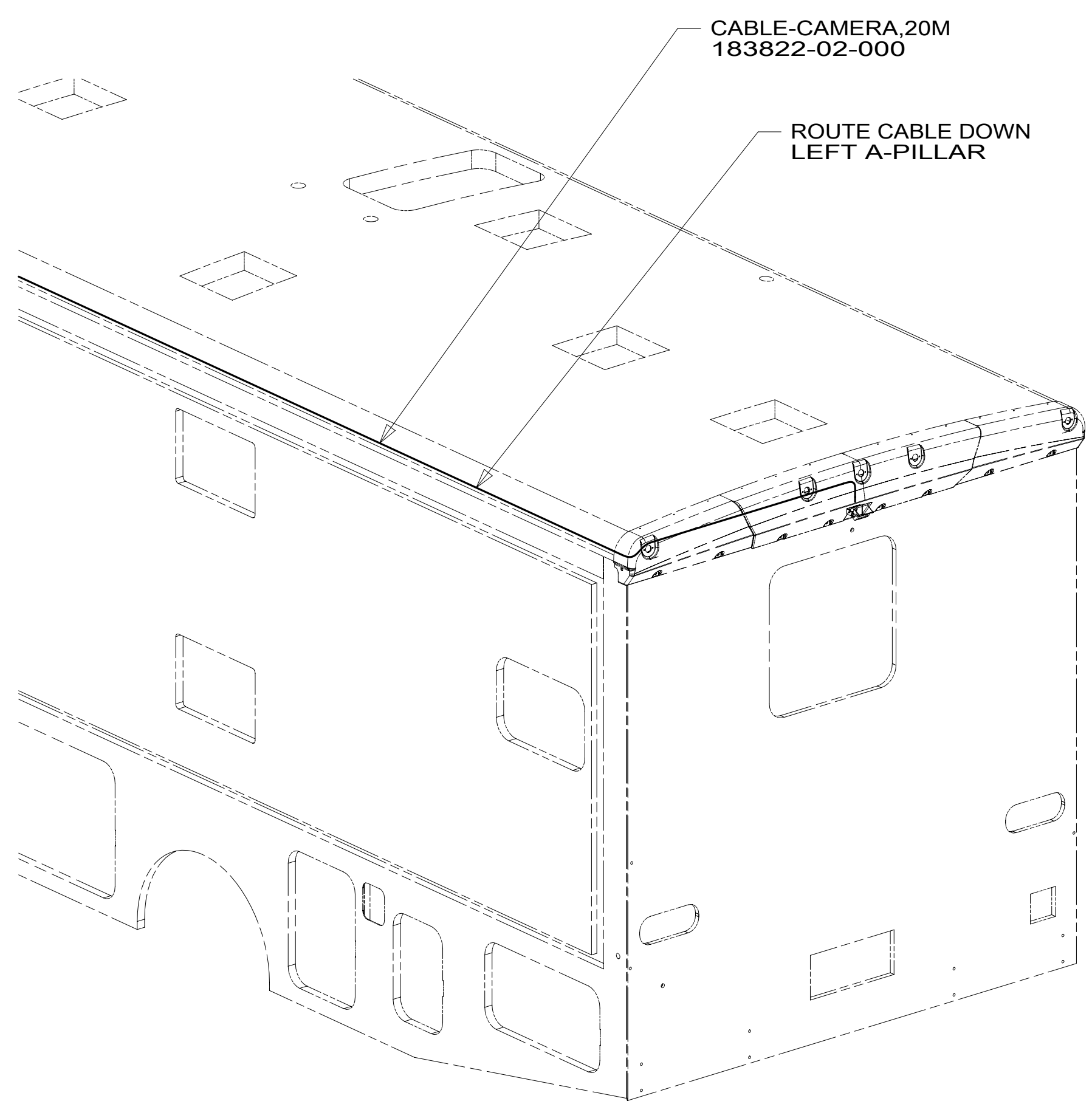
FOR ELECTRICAL CALLOUTS SEE DWG NO. 121339-01-000

- 74D VIDEO CAMERA SYSTEM-WITHOUT
- 265 CODES/STANDARDS-CSA/CMVSS
- 1B1 CODES/STANDARDS USA

DESCRIPTION:		
WIRING INSTL-FRONT END		
SHEET:	ITEM/PART NO.:	REV:
8 OF 10	000124820 / 32401201000	

8 7 6 5 4 3 2 1

D
C
B
A



SECTION JA-JA

NOTES:
 1 PARTS SUPPLIED WITH CAMERA KIT P/N 183822-01-000.

FOR ELECTRICAL TORQUE SPECIFICATIONS SEE DWG NO. 128783-01-000

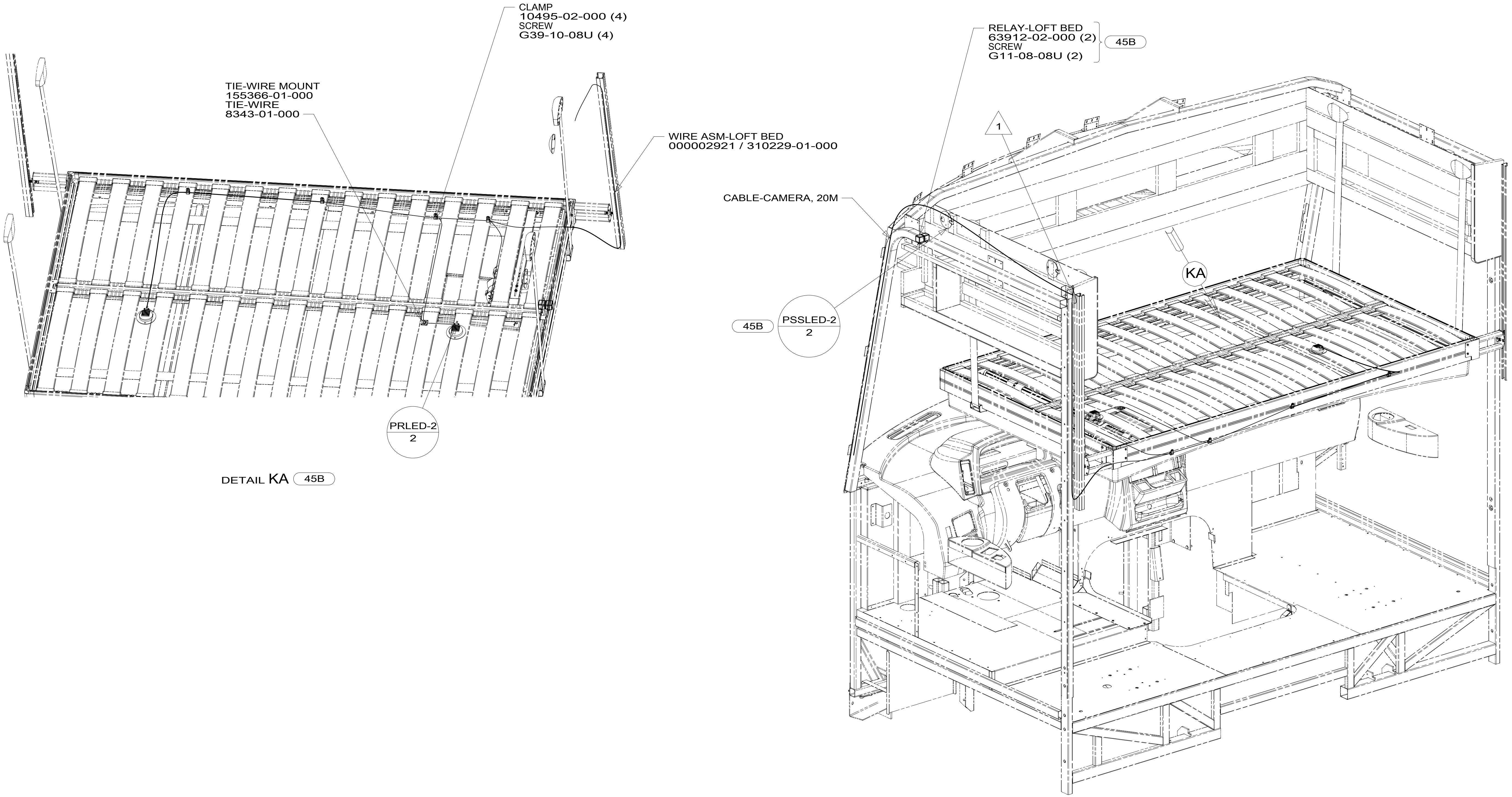
FOR ELECTRICAL CALLOUTS SEE DWG NO. 121339-01-000

265 CODES/STANDARDS-CSA/CMVSS
 1B1 CODES/STANDARDS USA

DESCRIPTION:	
1B1 265	
WIRING INSTL-FRONT END	
SHEET:	ITEM/PART NO:
9 OF 10	000124820 / 32401201000

8 7 6 5 4 3 2 1

8 7 6 5 4 3 2 1



D
C
B
A

D
C
B
A

NOTES:

1 RUN CABLE THRU LEFT-HAND COVE TO REAR OF UNIT. SEE SHEET 9.

FOR ELECTRICAL TORQUE SPECIFICATIONS SEE DWG NO. 128783-01-000

FOR ELECTRICAL CALLOUTS SEE DWG NO. 121339-01-000

- 45B LOFT BED
- 265 CODES/STANDARDS-CSA/CMVSS
- 1B1 CODES/STANDARDS USA

DESCRIPTION:	
WIRING INSTL-FRONT END	
SHEET:	ITEM/PART NO:
10 OF 10	000124820 / 32401201000
REV	

8 7 6 5 4 3 2 1 15-Aug-2018