

D

D

C

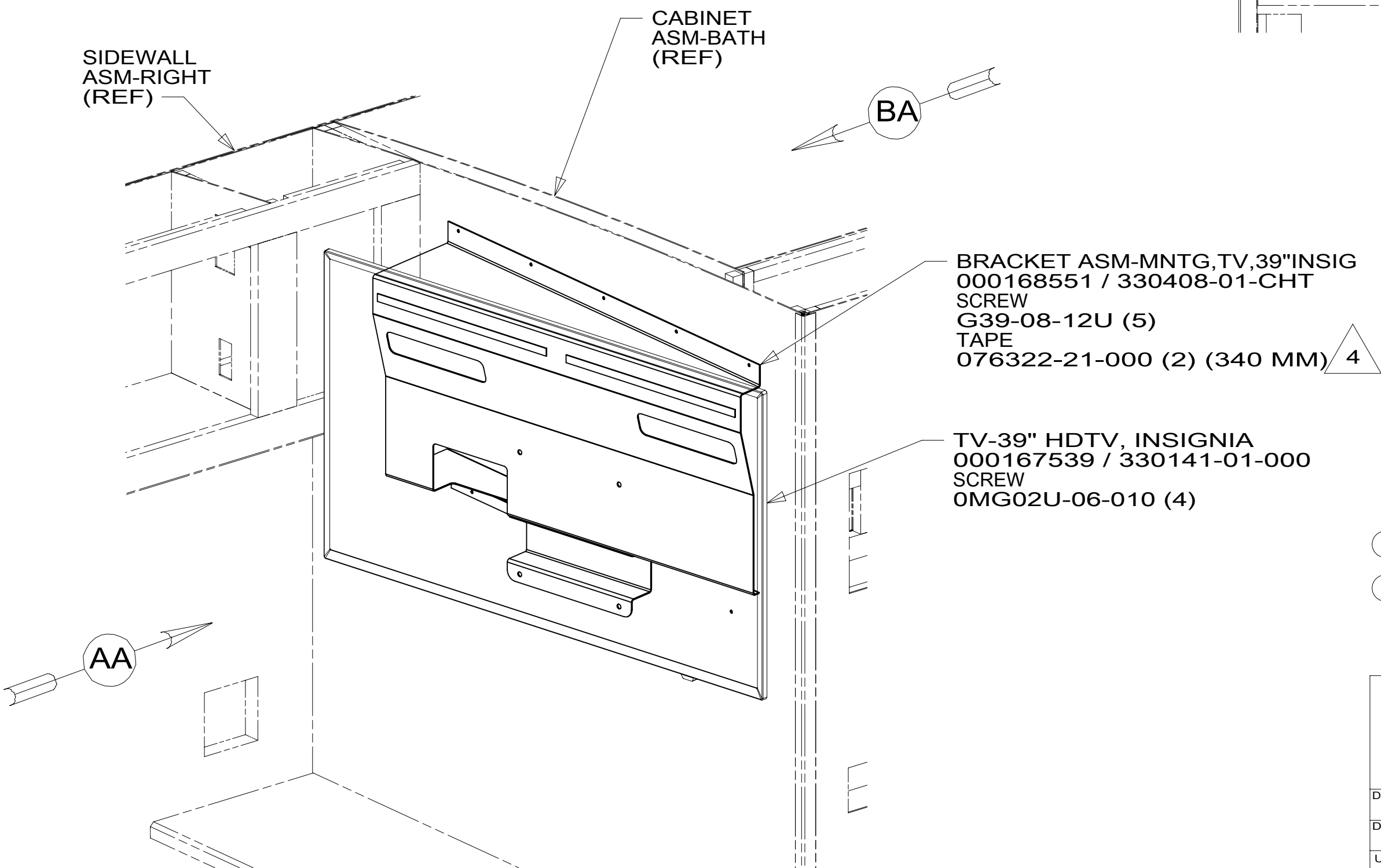
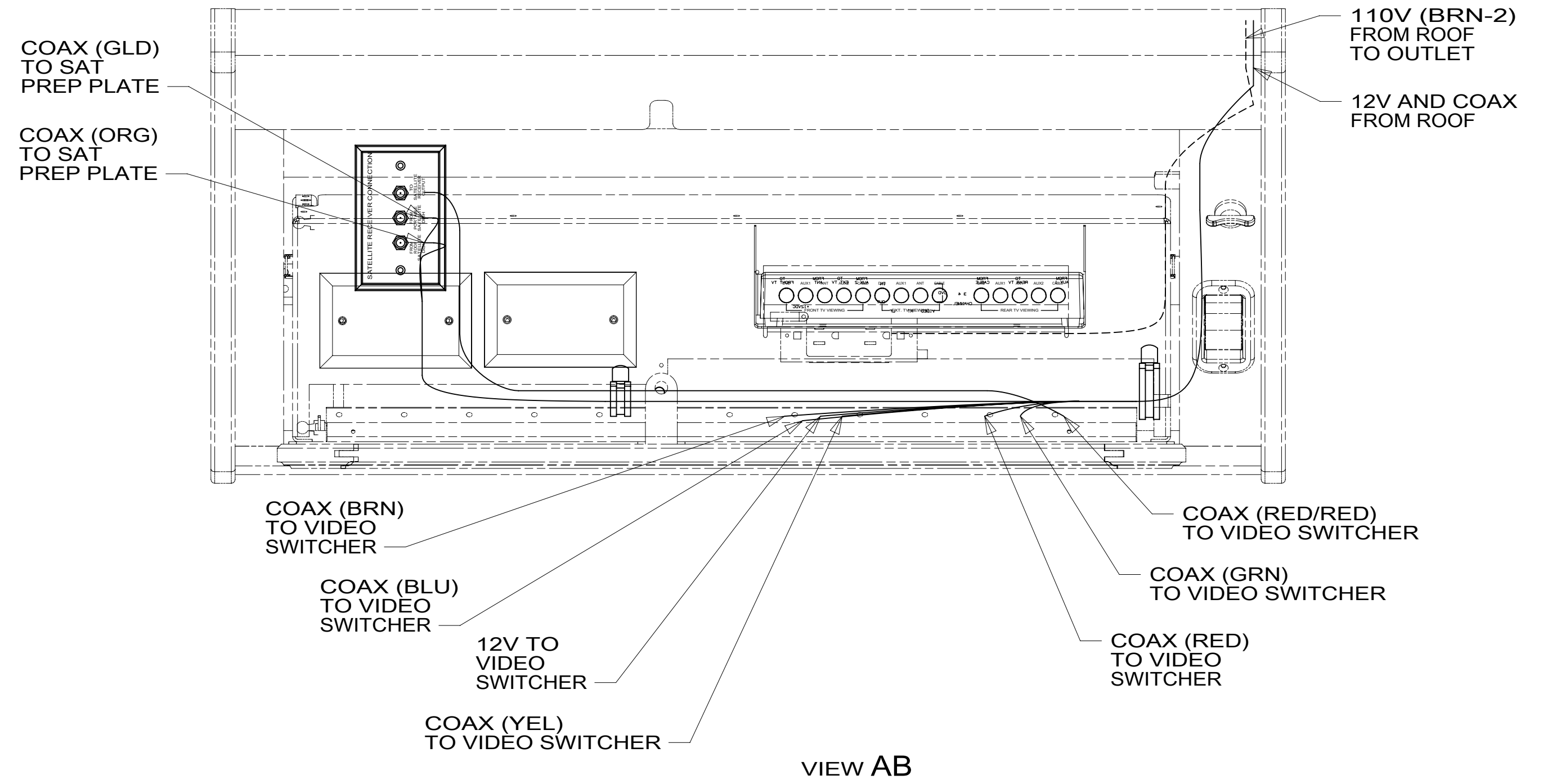
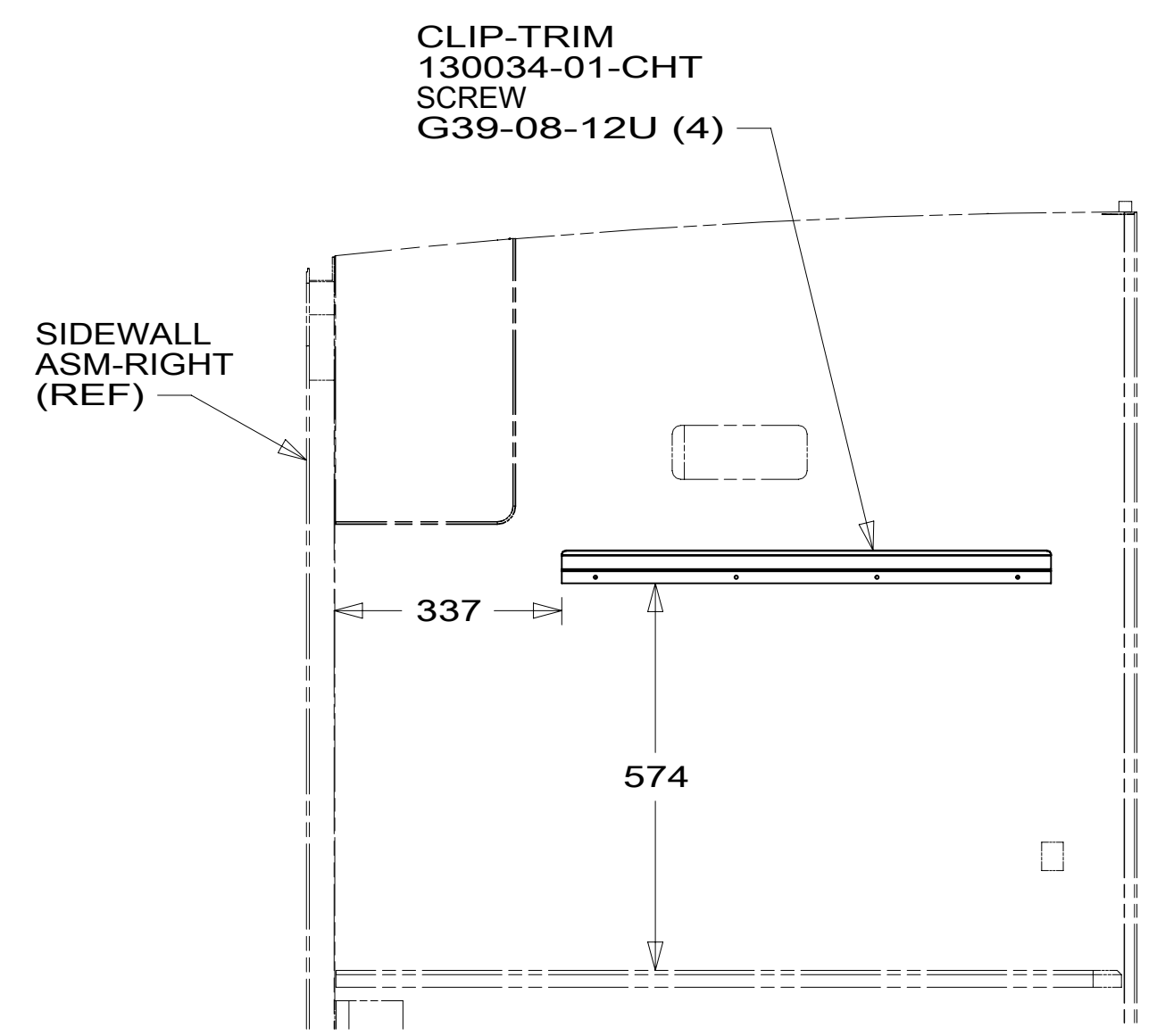
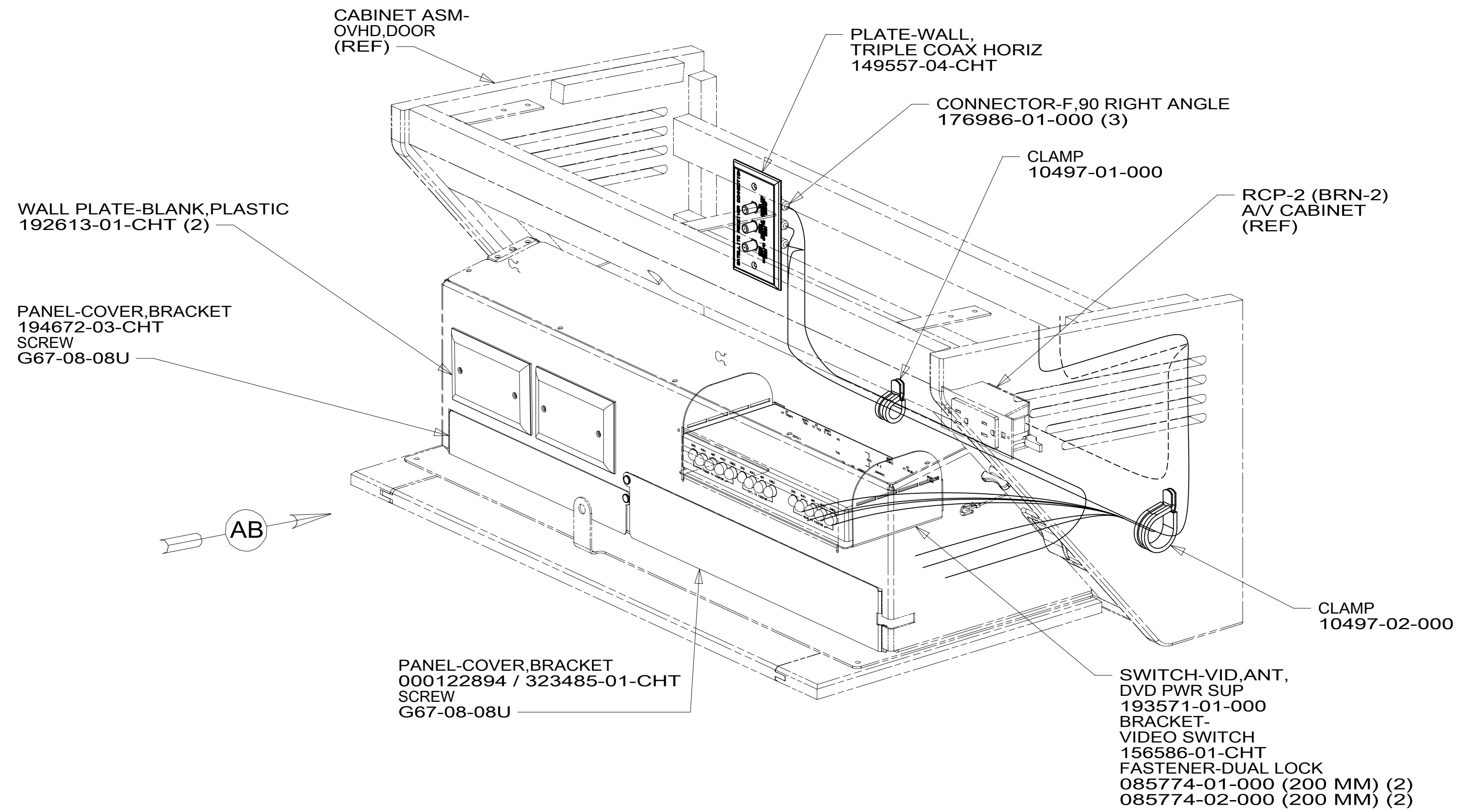
C

B

B

A

A



- 4 PREP BOTH SURFACES WITH ADHESIVE-PROMOTER, 087211-01-000.
 3. WHERE WIRES PASS THROUGH HOLES IN STEEL AND NOT OTHERWISE PROTECTED, USE GROMMET 92908-02-000.
 2. ALL WIRES TO BE SECURED WITH CLAMP 10495-01-000 OR CLIP 80734-01-000 EVERY 600MM. USE SCREW G67-10-12B UNLESS OTHERWISE SPECIFIED.
 1. 110V WIRE TO BE CLAMPED WITH CLAMP 10497-05-000 WITHIN 200MM OF OUTLET BOXES, USE SCREW G67-10-12B.

NOTES:

FOR ELECTRICAL TORQUE SPECIFICATIONS SEE DWG NO. 128783-01-000

FOR ELECTRICAL CALLOUTS SEE DWG NO. 121339-01-000

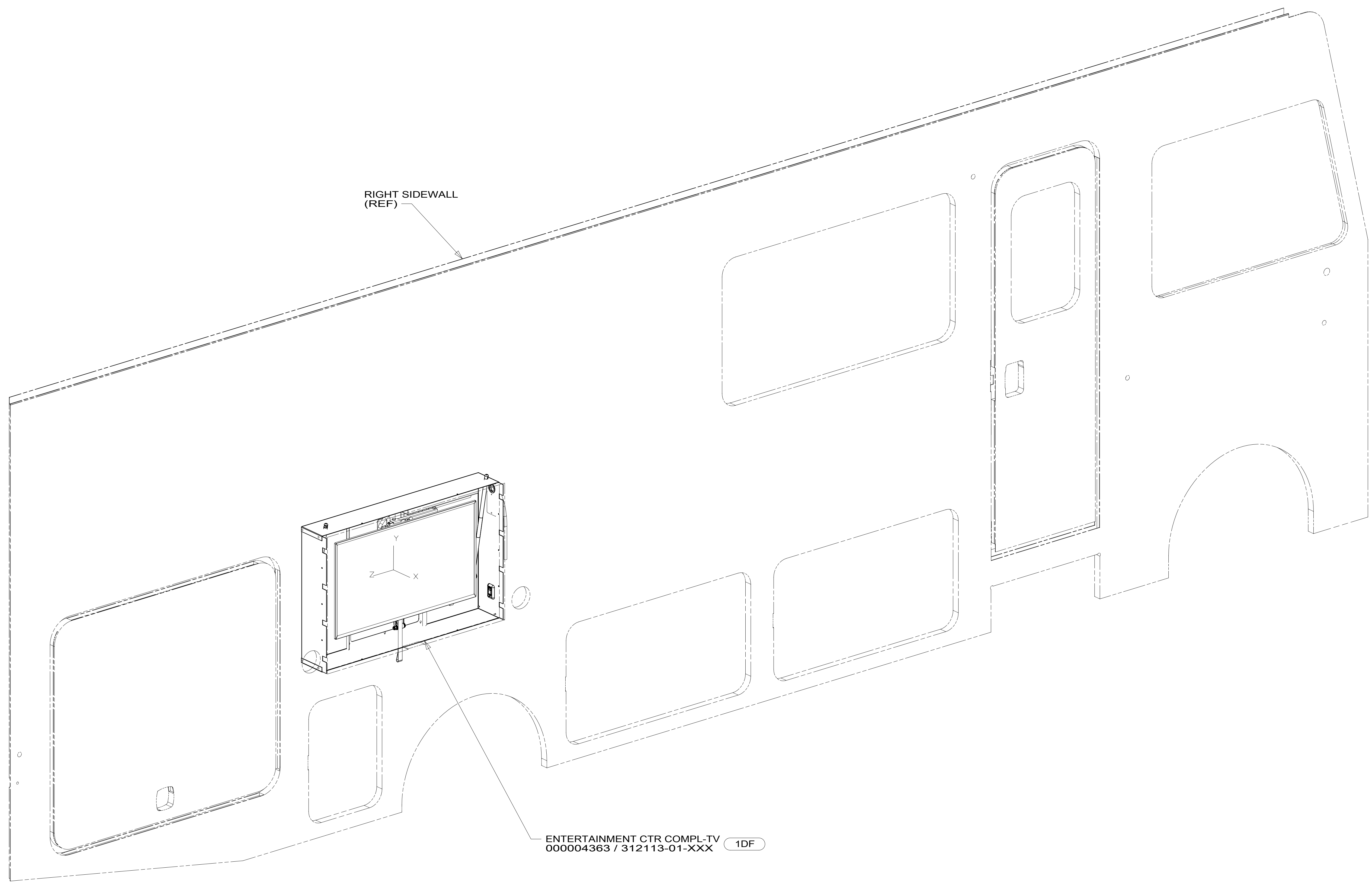
- 265 CODES/STANDARDS-CSA/CMVSS
- 1B1 CODES/STANDARDS USA
- 1B1 265

WINNEBAGO COPYRIGHT 2016 WINNEBAGO INDUSTRIES, INC.	
DSNR:	ALL DIMENSIONS ARE IN MILLIMETERS
DFFR:	
UNSPECIFIED TOLERANCES:	MATERIAL:
WHOLE DIM (X) : 3	
ONE-PLACE (X.X) : 1.5	
TWO-PLACE (X.XX) : 0.50	
ANGLE : 1°	
REFER TO ES0018 FOR FASTENER TIGHTENING GUIDELINES	WEIGHT: (LBS) FIRST USED: 18 E29VE
DESCRIPTION: WIRING INSTL-TV/DVD	
SHEET: 1 OF 4	ITEM/PART NO: 000124819 / 32401101000
REF: 1 25-Jul-2018	

8 7 6 5 4 3 2 1

D
C
B
A

D
C
B
A



- 1DF EXT TV ENTERTAINMENT CENTER
- 265 CODES/STANDARDS-CSA/CMVSS
- 1B1 CODES/STANDARDS USA

FOR ELECTRICAL
TORQUE
SPECIFICATIONS
SEE DWG NO.
128783-01-000

FOR ELECTRICAL
CALLOUTS
SEE DWG NO.
121339-01-000

DESCRIPTION:		1B1 265
WIRING INSTL-TV/DVD		
SHEET:	ITEM/PART NO.:	REV
2 OF 4	000124819 / 32401101000	

8 7 6 5 4 3 2 1 25-Jul-2018

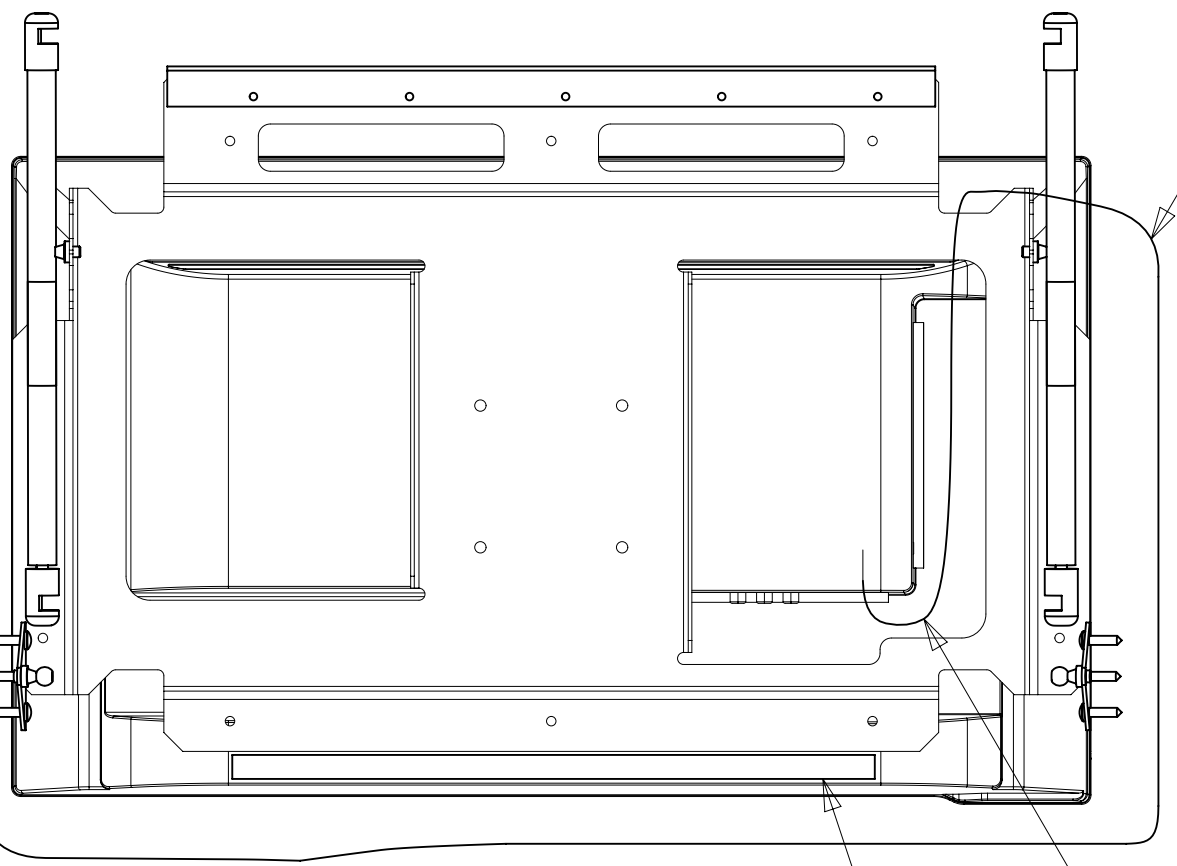
8 7 6 5 4 3 2 1

BACKWALL ASM
(REF)

SIDEWALL ASM-LEFT
(REF)

BRACKET ASM-MOUNT.TV
000013931 / 312679-01-CHT
SCREW
G67-10-12U (6)

CB



CABLE ASM-COAX
87105-08-018
(GRN)
SLEEVE-BRAIDING
139049-02-000
(400 MM)

ADAPTER
82134-01-000

VIEW CB

TAPE-FOAM
76322-21-00
(340 MM)

D

D

C

C

B

B

A

A

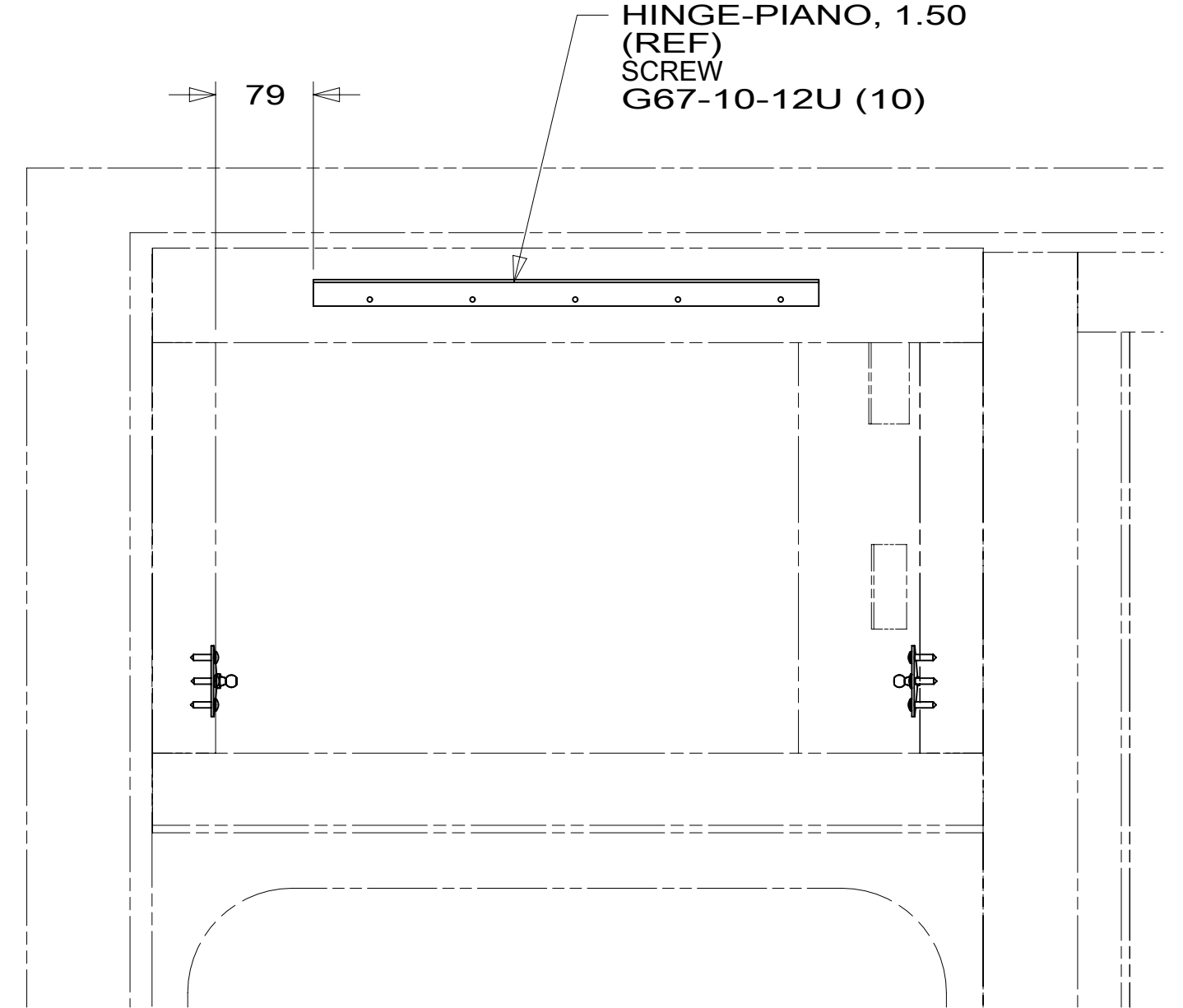
SPRING-GAS
142569-31-000 (2)

BRACKET-GAS SPRING
126263-15-CHT (2)
SCREW
G67-10-12U (6)

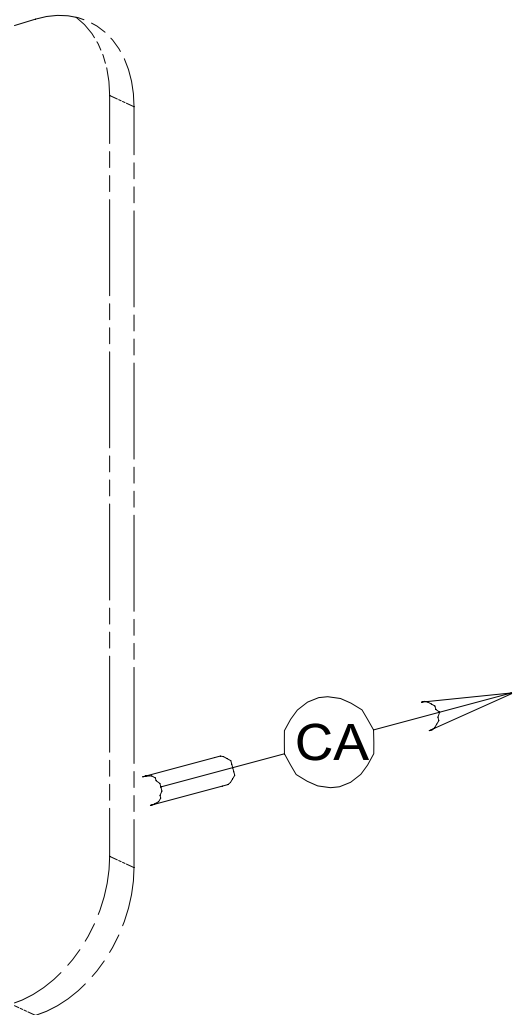
TV-24" FLAT PANEL DLED,HDTV
000031269 / 316937-01-000
SCREW (VESA MOUNT)
0MG02U-06-010 (4)
SCREW (LOWER MOUNT)
SUPPLIED WITH TV

HINGE-PIANO, 1.50
(REF)
SCREW
G67-10-12U (10)

79



VIEW CA
(TV NOT SHOWN)



CA

2 CLEAN AND APPLY ADHESIVE PROMOTER 87211-01-000 TO BOTH SURFACES AND BOND WHERE TV CONTACTS CABINET.

1 USE TIE-WIRE 8343-04-000 TO ATTACH WIRE ASM TO HOLES IN BRACKET.

NOTES:

FOR ELECTRICAL TORQUE SPECIFICATIONS SEE DWG NO. 128783-01-000

FOR ELECTRICAL CALLOUTS SEE DWG NO. 121339-01-000

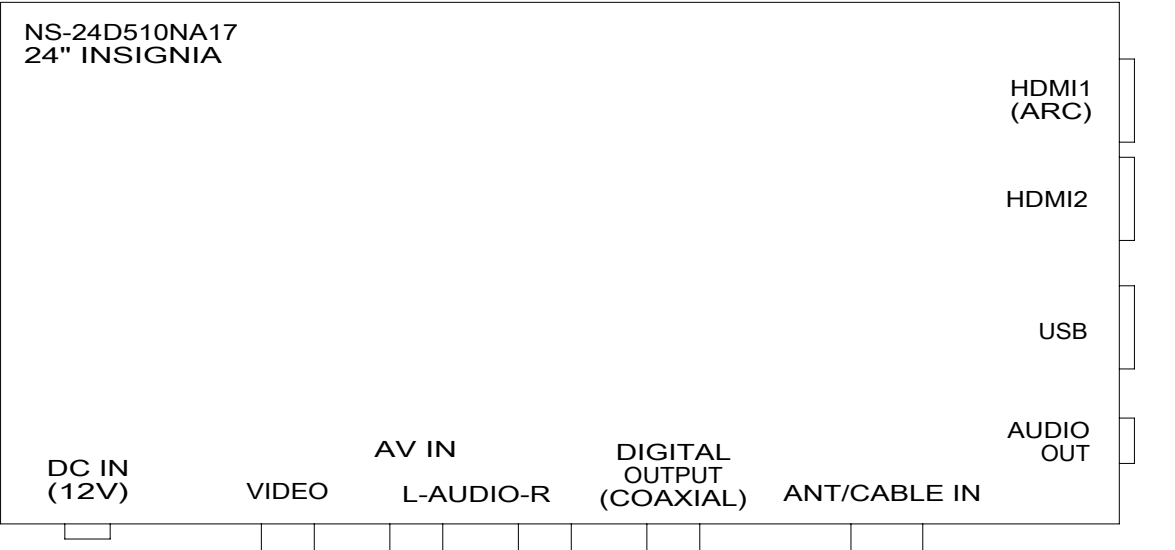
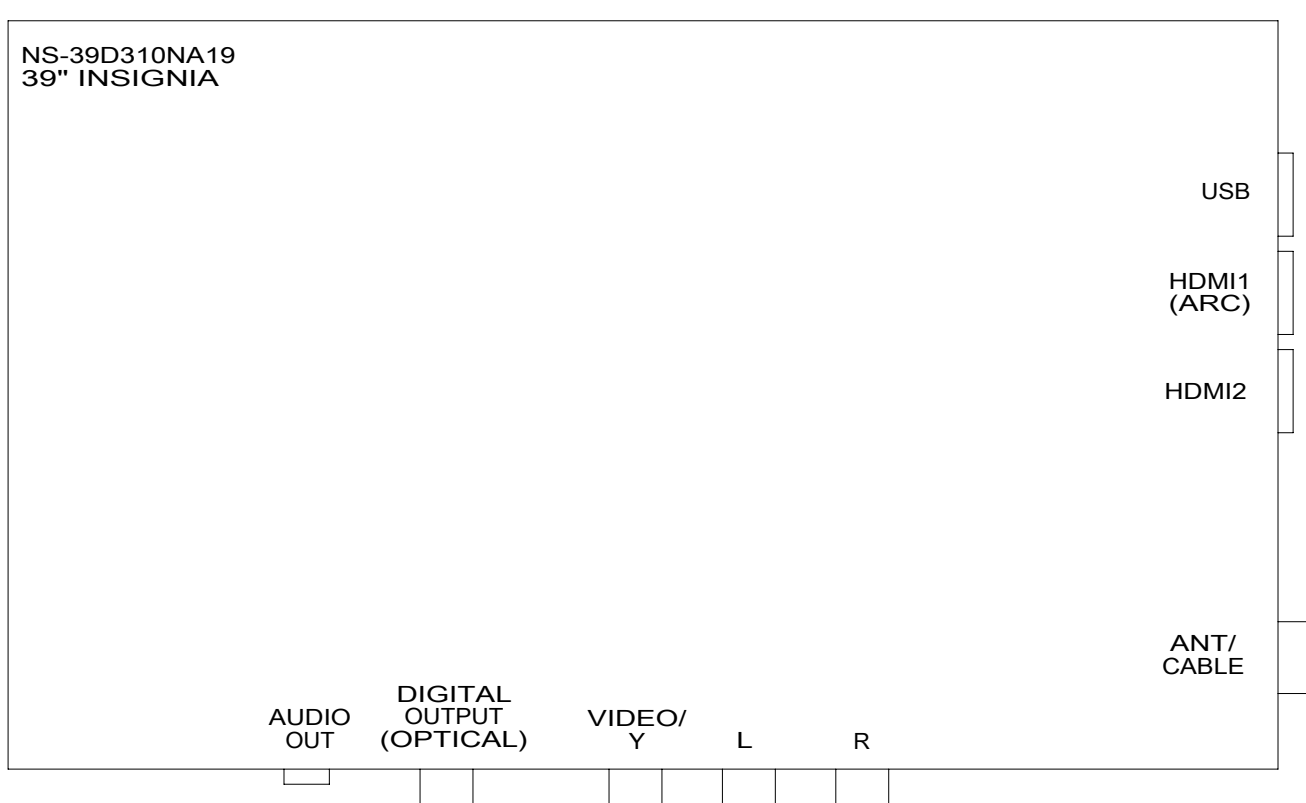
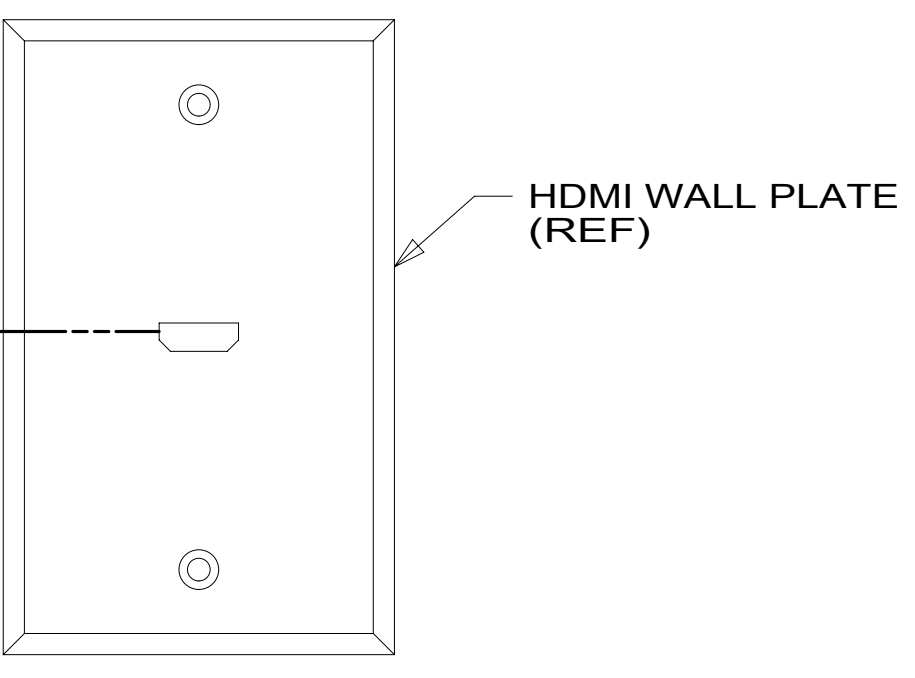
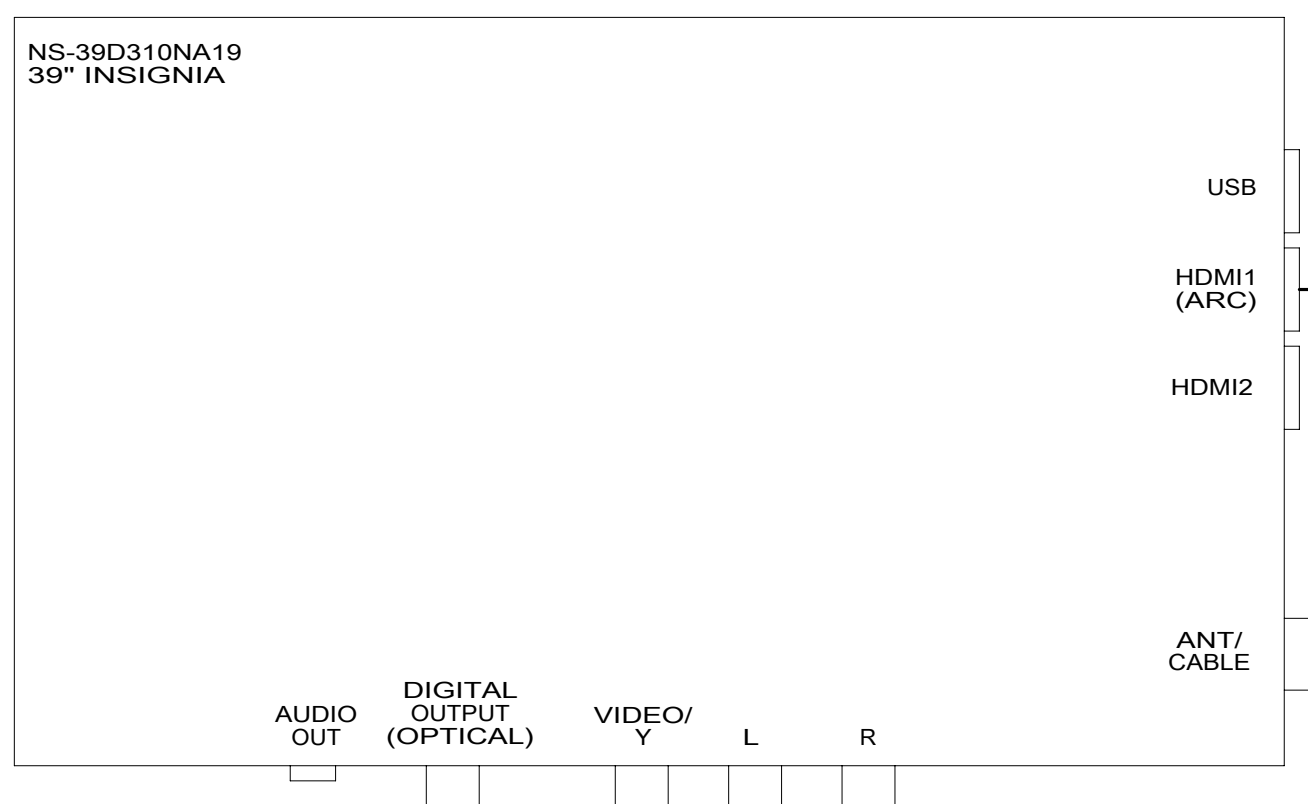
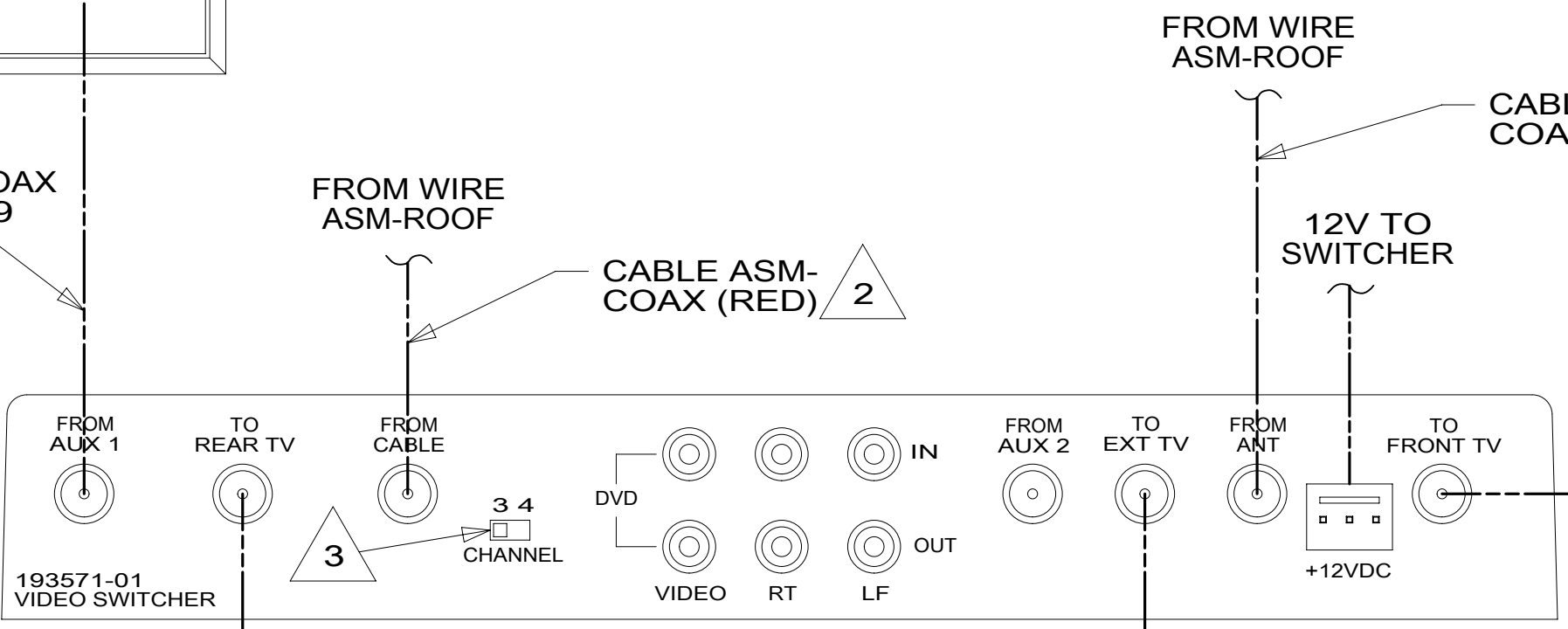
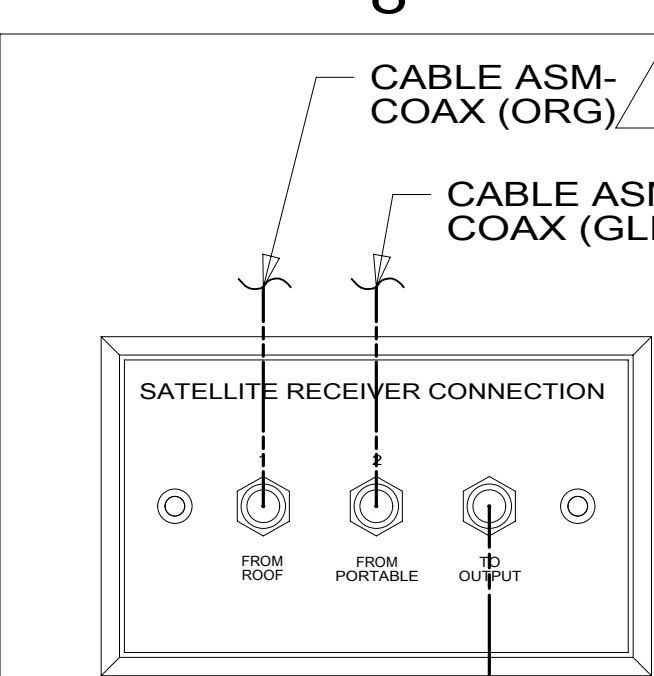
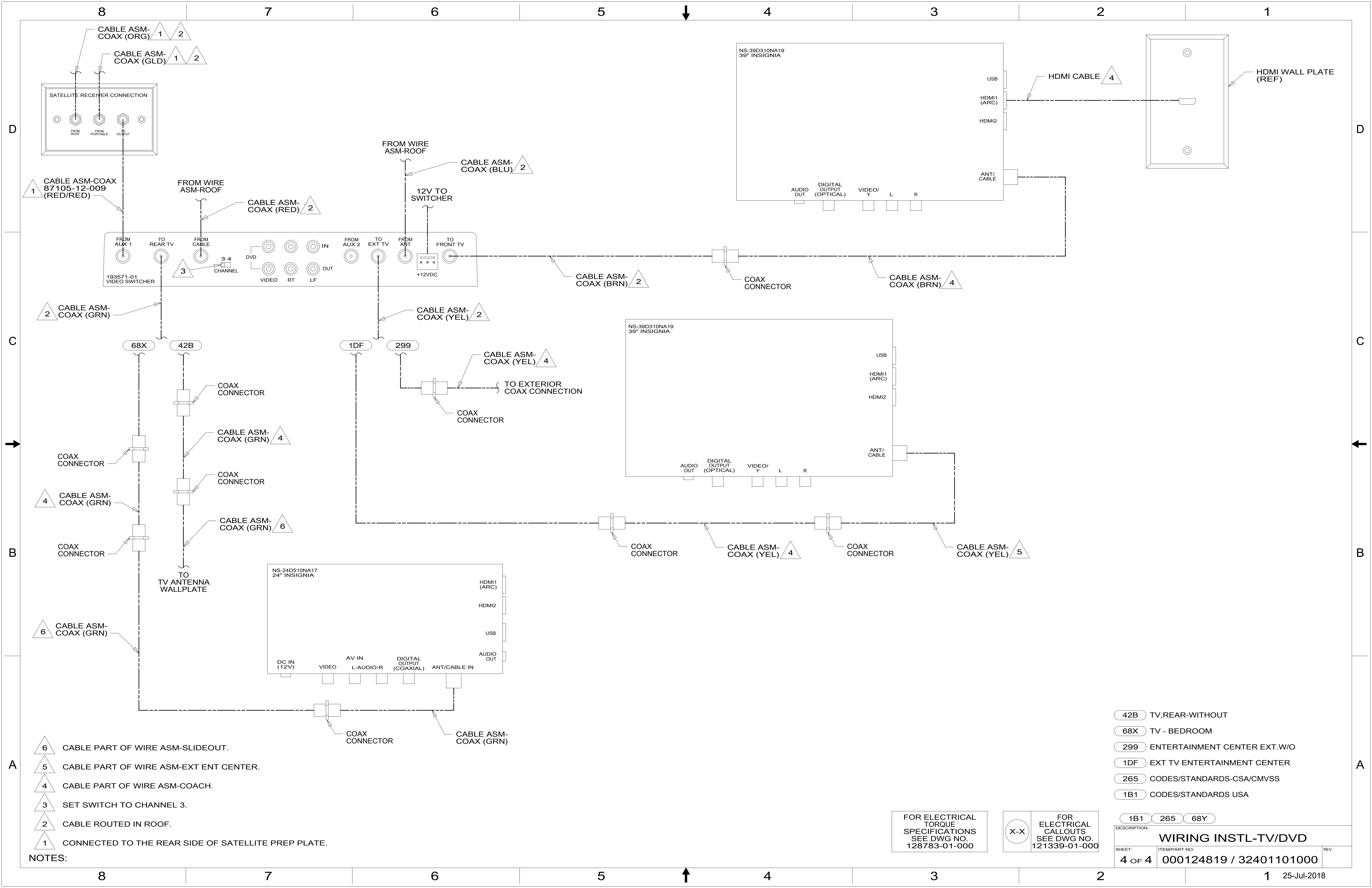
- 68X TV - BEDROOM
- 265 CODES/STANDARDS-CSA/CMVSS
- 1B1 CODES/STANDARDS USA

1B1 265 68X

DESCRIPTION:
WIRING INSTL-TV/DVD

SHEET: 3 OF 4 ITEM/PART NO: 000124819 / 32401101000 REV

8 7 6 5 4 3 2 1 25-Jul-2018



- NOTES:
- 6 CABLE PART OF WIRE ASM-SLIDEOUT.
 - 5 CABLE PART OF WIRE ASM-EXT ENT CENTER.
 - 4 CABLE PART OF WIRE ASM-COACH.
 - 3 SET SWITCH TO CHANNEL 3.
 - 2 CABLE ROUTED IN ROOF.
 - 1 CONNECTED TO THE REAR SIDE OF SATELLITE PREP PLATE.

- 42B TV, REAR-WITHOUT
- 68X TV - BEDROOM
- 299 ENTERTAINMENT CENTER EXT. W/O
- 1DF EXT TV ENTERTAINMENT CENTER
- 265 CODES/STANDARDS-CSA/CMVSS
- 1B1 CODES/STANDARDS USA

FOR ELECTRICAL TORQUE SPECIFICATIONS SEE DWG NO. 128783-01-000

FOR ELECTRICAL CALLOUTS SEE DWG NO. 121339-01-000

DESCRIPTION:	1B1 265 68Y	
WIRING INSTL-TV/DVD		
SHEET:	ITEM/PART NO:	REV
4 OF 4	000124819 / 32401101000	