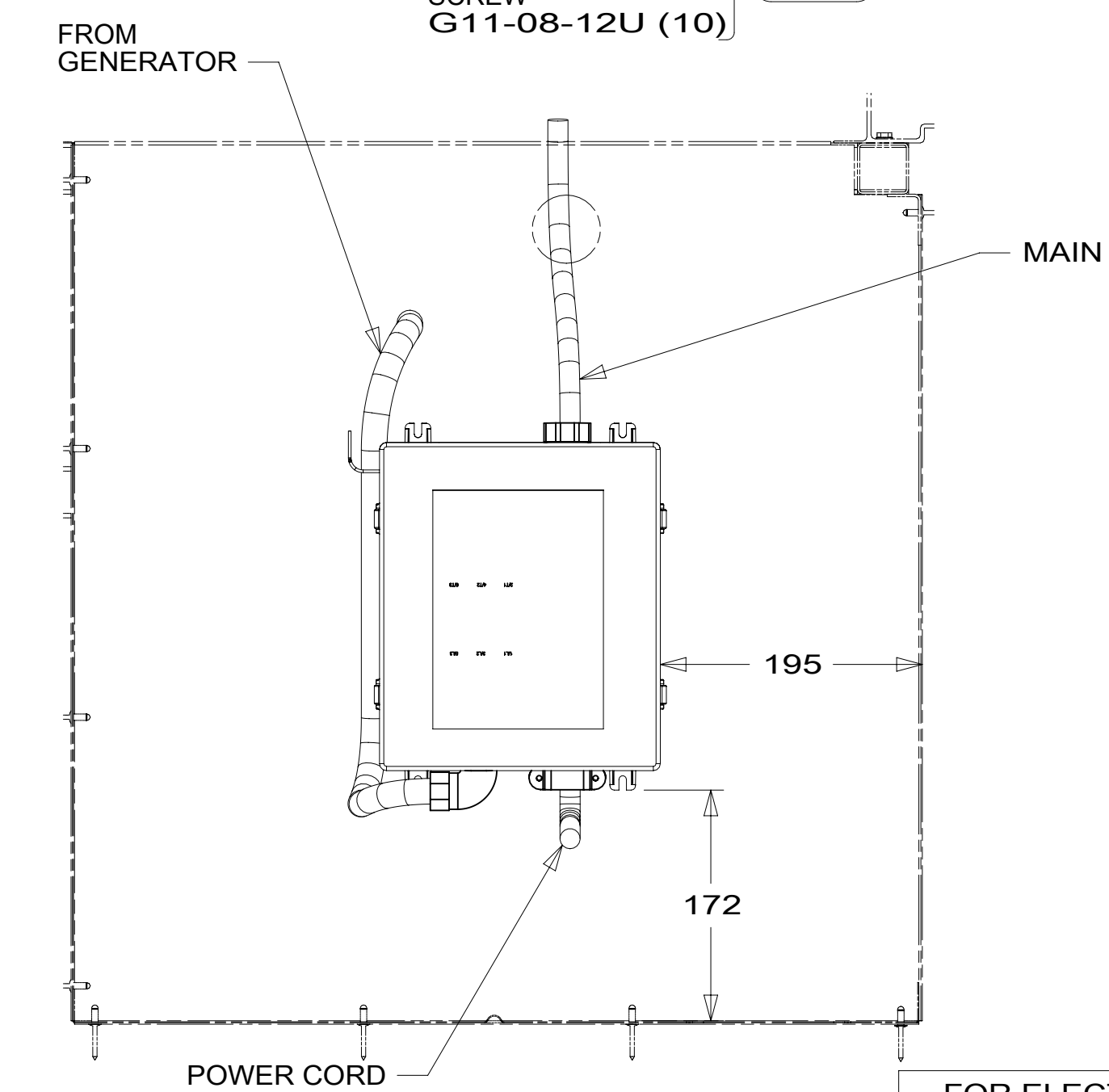
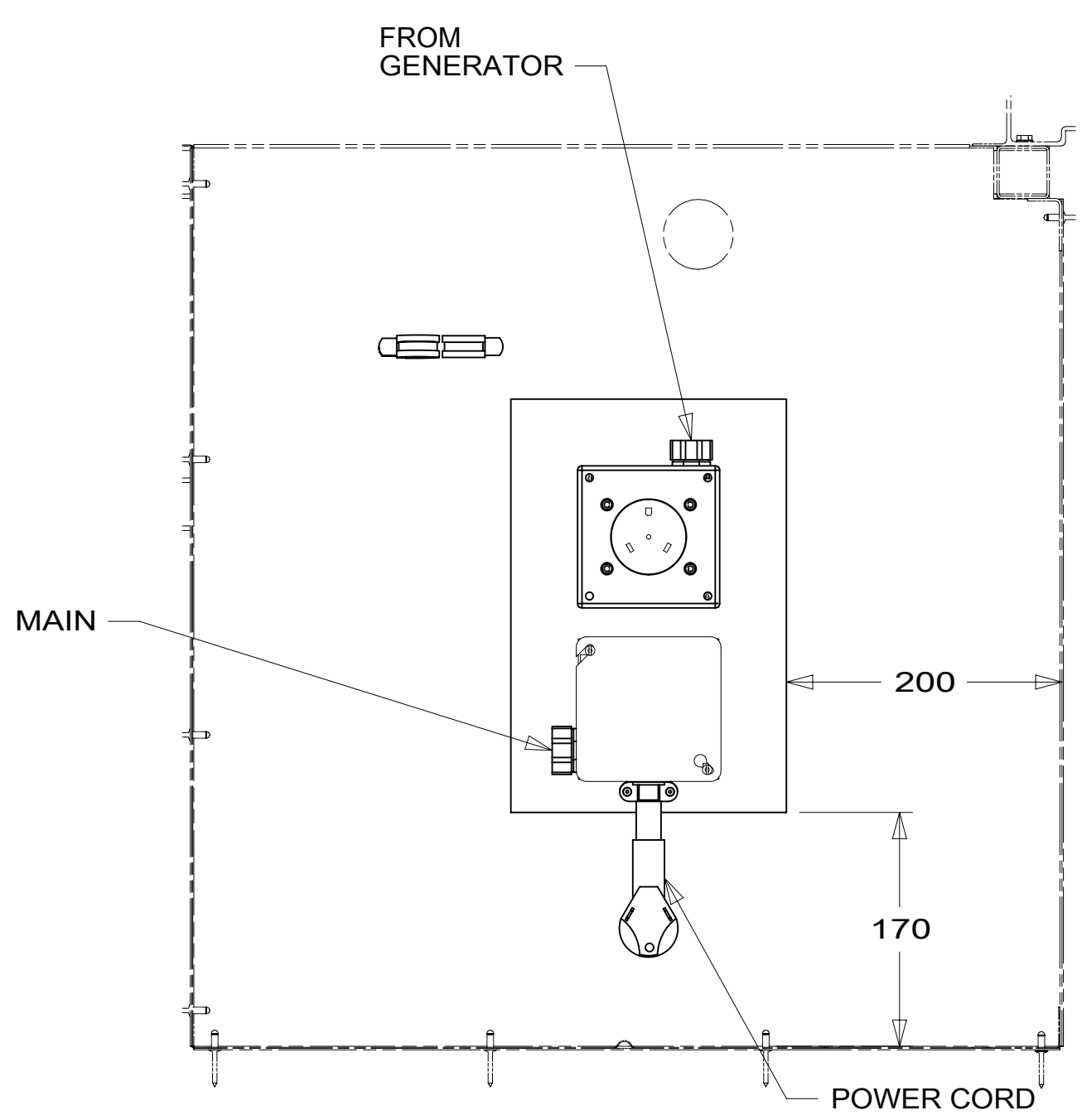


- 073 ATS ASM  
000125389 / 324144-01-000  
POWER CORD BOX ASM
- 12D 000159448 / 327642-01-000



DETAIL AB 12D

DETAIL AB 073

4. AT MINIMUM ALL WIRES TO BE SUPPORTED AND SECURED PER CODE REQUIREMENTS. USE CLAMP 10495 OR 10497 OR WIRE TIE 8343 OR 108046 AND SCREW G67-XX-XXX OR G56-XX-XXX AS APPROPRIATE FOR INSTALLATION.
- 3 WITHOUT INVERTER, THROW IN WIRE #2 (BRN-2) CONNECTS TO (BRN) FROM LOAD CENTER.
- 2 WIRE ROUTED THROUGH FLOOR IN THIS AREA.
- 1 WIRES ROUTED UNDER FLOOR.

NOTES:

FOR ELECTRICAL TORQUE SPECIFICATIONS SEE DWG NO. 128783-01-000

FOR ELECTRICAL CALLOUTS SEE DWG NO. 121339-01-000

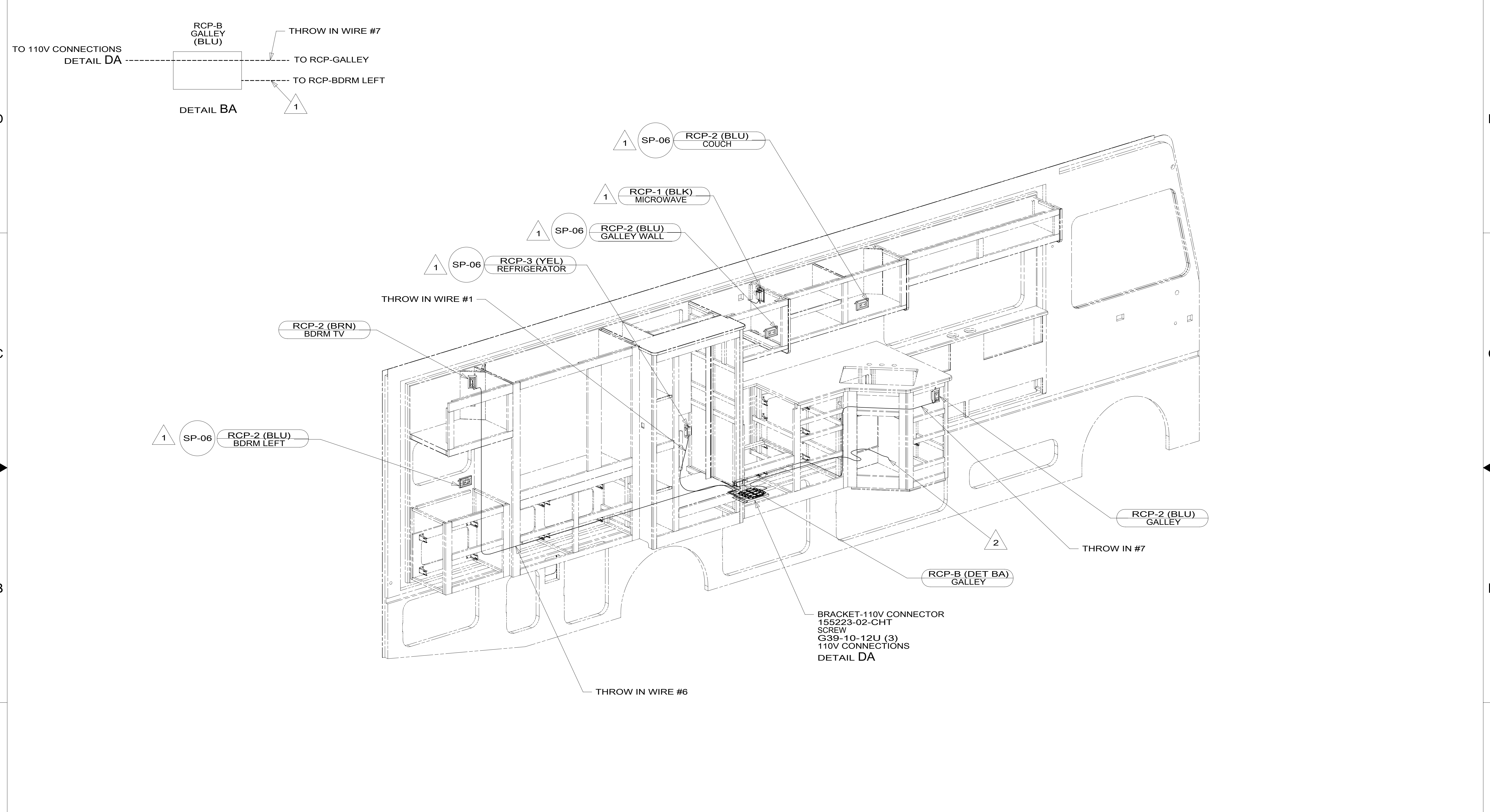
- 40A INVERTER-DC/AC WITHOUT
- 401 INVERTER-DC/AC, 1000 WATT
- 073 COOLING UPGRADE PACKAGE
- 12D ELECTRICAL SYSTEM 30 AMP
- 265 CODES/STANDARDS-CSA/CMVSS
- 1B1 CODES/STANDARDS USA

1B1 265

**WINNEBAGO**  
COPYRIGHT 2016 WINNEBAGO INDUSTRIES, INC.

DSNR:	ALL DIMENSIONS ARE IN MILLIMETERS	
DFFR:	MATERIAL:	
UNSPECIFIED TOLERANCES:	WHOLE DIM (X) : 3	
	ONE-PLACE (X.X) : 1.5	
	TWO-PLACE (X.XX) : 0.50	
	ANGLE : 1°	
REFER TO ES0018 FOR FASTENER TIGHTENING GUIDELINES	WEIGHT: (LBS)	FIRST USED: 18 E29VE
DESCRIPTION: <b>WIRING INSTL-BODY, 110V</b>		
SHEET: 1 OF 8	ITEM/PART NO: 000124818 / 32401001000	REV

REF: 1 22-Mar-2018



3. AT MINIMUM ALL WIRES TO BE SUPPORTED AND SECURED PER CODE REQUIREMENTS. USE CLAMP 10495 OR 10497 OR WIRE TIE 8343 OR 108046 AND SCREW G67-XX-XXX OR G56-XX-XXX AS APPROPRIATE FOR INSTALLATION.

- 2 WIRE ROUTED THRU FLOOR IN THIS AREA.
- 1 WIRE ROUTED IN SIDEWALL.

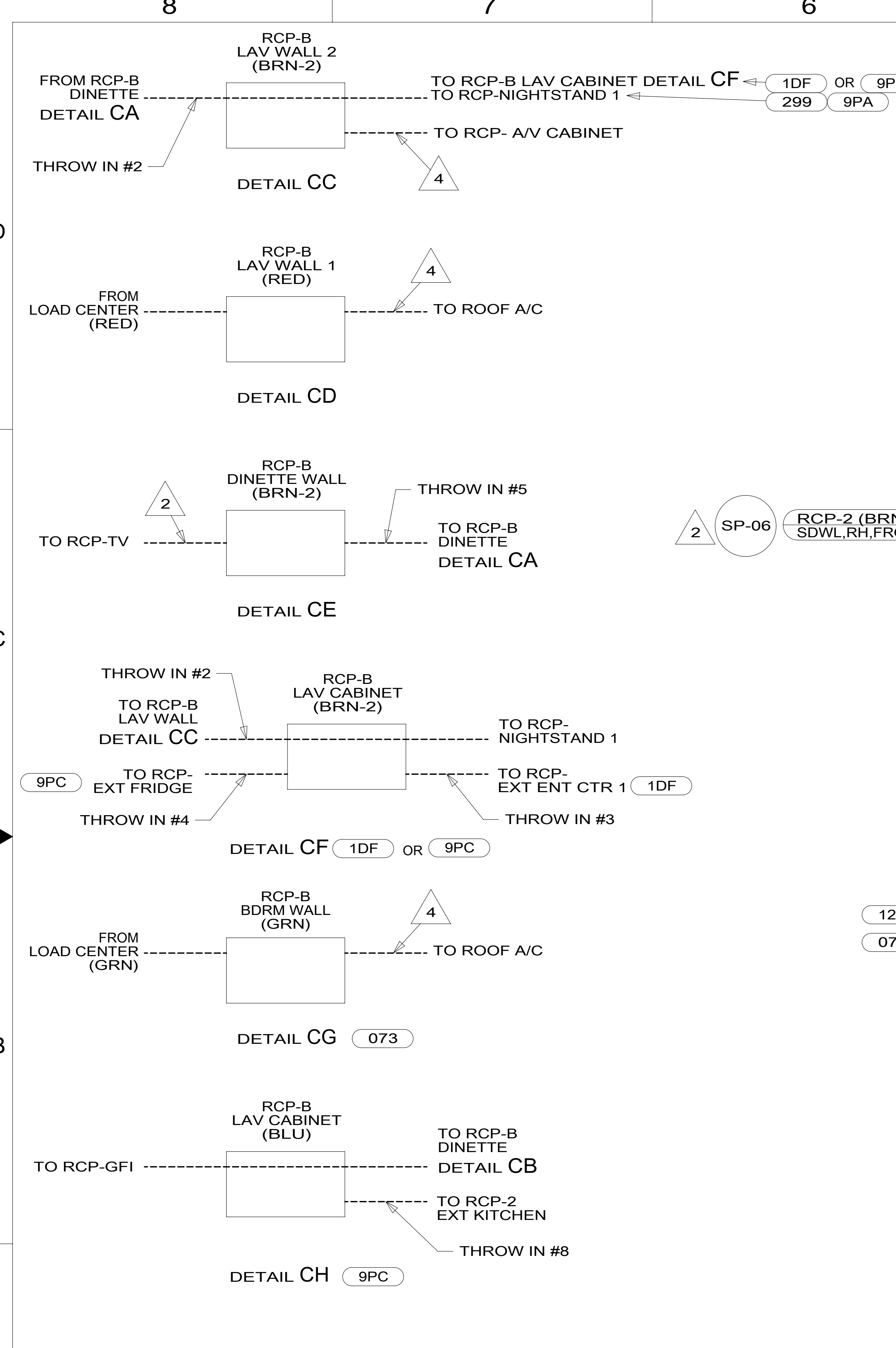
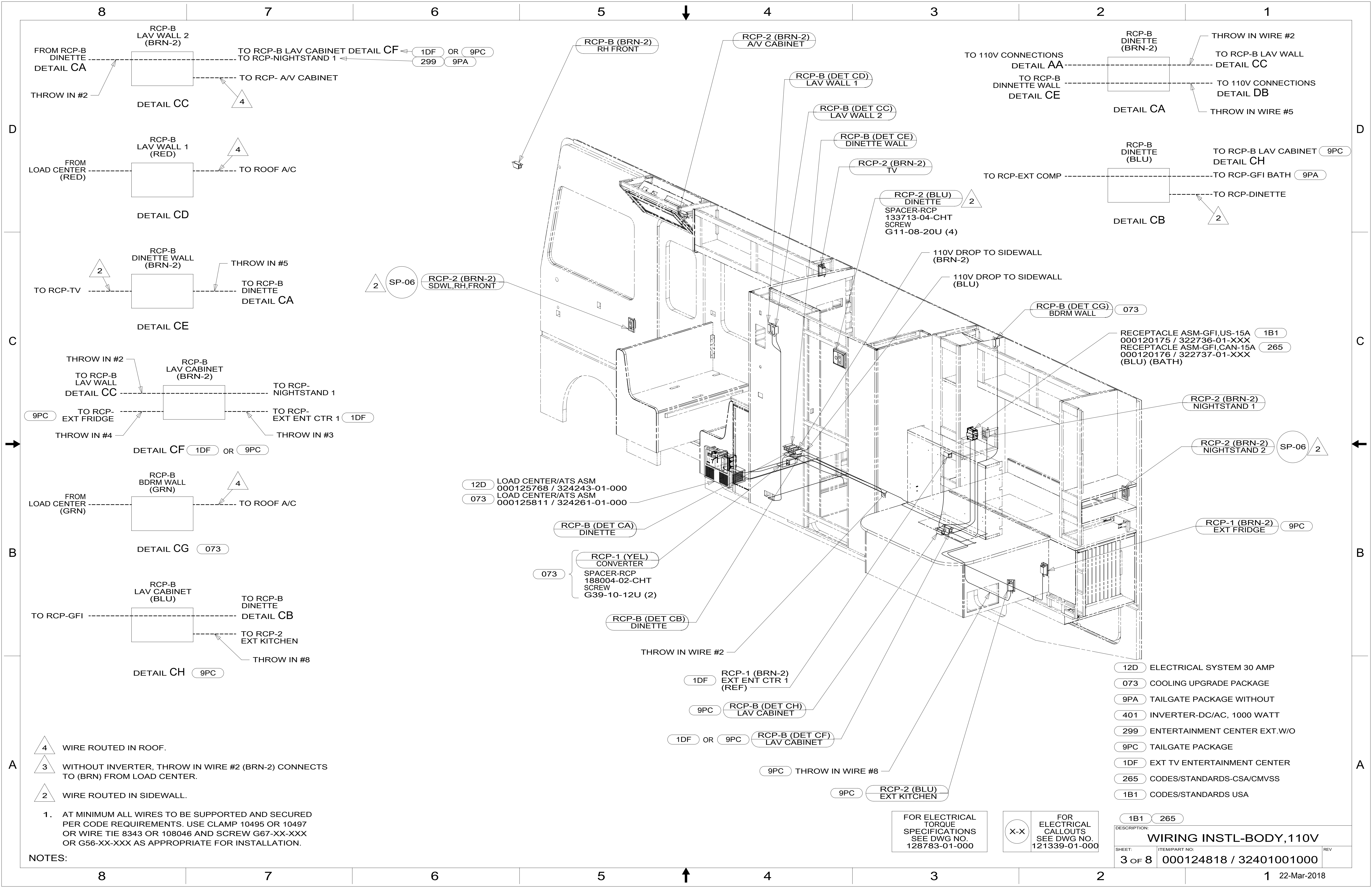
NOTES:

265 CODES/STANDARDS-CSA/CMVSS  
 1B1 CODES/STANDARDS USA

FOR ELECTRICAL TORQUE SPECIFICATIONS SEE DWG NO. 128783-01-000

X-X FOR ELECTRICAL CALLOUTS SEE DWG NO. 121339-01-000

DESCRIPTION:	
<b>WIRING INSTL-BODY, 110V</b>	
SHEET:	ITEM/PART NO. REV
2 OF 8	000124818 / 32401001000



- 12D LOAD CENTER/ATS ASM 000125768 / 324243-01-000
- 073 LOAD CENTER/ATS ASM 000125811 / 324261-01-000

- 4 WIRE ROUTED IN ROOF.
- 3 WITHOUT INVERTER, THROW IN WIRE #2 (BRN-2) CONNECTS TO (BRN) FROM LOAD CENTER.
- 2 WIRE ROUTED IN SIDEWALL.

1. AT MINIMUM ALL WIRES TO BE SUPPORTED AND SECURED PER CODE REQUIREMENTS. USE CLAMP 10495 OR 10497 OR WIRE TIE 8343 OR 108046 AND SCREW G67-XX-XXX OR G56-XX-XXX AS APPROPRIATE FOR INSTALLATION.

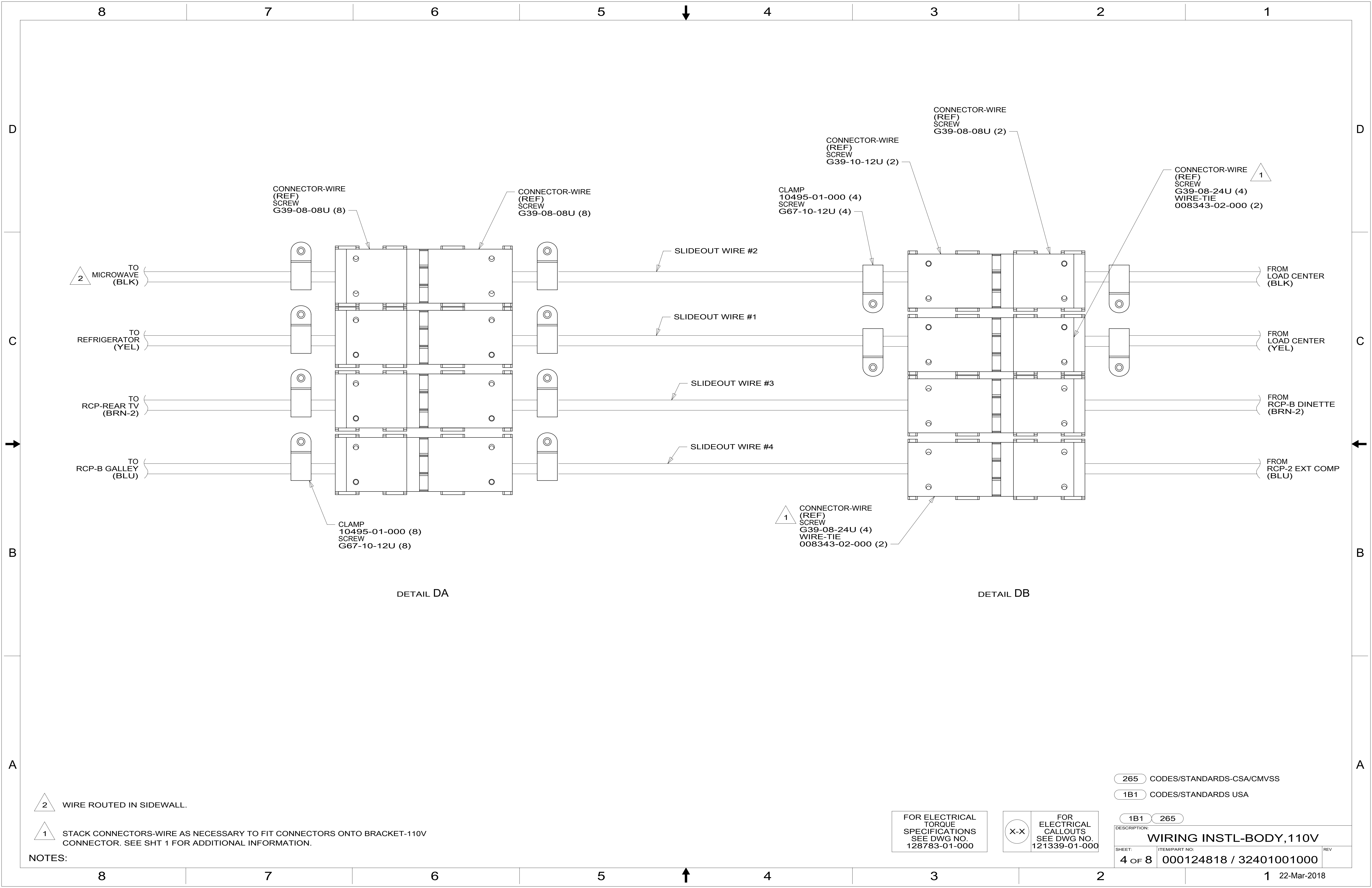
NOTES:

- 1DF RCP-1 (BRN-2) EXT ENT CTR 1 (REF)
- 9PC RCP-B (DET CH) LAV CABINET
- 1DF OR 9PC RCP-B (DET CF) LAV CABINET
- 9PC THROW IN WIRE #8
- 9PC RCP-2 (BLU) EXT KITCHEN
- 12D ELECTRICAL SYSTEM 30 AMP
- 073 COOLING UPGRADE PACKAGE
- 9PA TAILGATE PACKAGE WITHOUT
- 401 INVERTER-DC/AC, 1000 WATT
- 299 ENTERTAINMENT CENTER EXT.W/O
- 9PC TAILGATE PACKAGE
- 1DF EXT TV ENTERTAINMENT CENTER
- 265 CODES/STANDARDS-CSA/CMVSS
- 1B1 CODES/STANDARDS USA

FOR ELECTRICAL TORQUE SPECIFICATIONS SEE DWG NO. 128783-01-000

FOR ELECTRICAL CALLOUTS SEE DWG NO. 121339-01-000

DESCRIPTION:	1B1 265	
<b>WIRING INSTL-BODY, 110V</b>		
SHEET:	ITEM/PART NO:	REV
3 OF 8	000124818 / 32401001000	



CONNECTOR-WIRE  
(REF)  
SCREW  
G39-08-08U (8)

CONNECTOR-WIRE  
(REF)  
SCREW  
G39-08-08U (8)

CLAMP  
10495-01-000 (4)  
SCREW  
G67-10-12U (4)

CONNECTOR-WIRE  
(REF)  
SCREW  
G39-10-12U (2)

CONNECTOR-WIRE  
(REF)  
SCREW  
G39-08-08U (2)

CONNECTOR-WIRE  
(REF)  
SCREW  
G39-08-24U (4)  
WIRE-TIE  
008343-02-000 (2)

2 TO  
MICROWAVE  
(BLK)

TO  
REFRIGERATOR  
(YEL)

TO  
RCP-REAR TV  
(BRN-2)

TO  
RCP-B GALLEY  
(BLU)

CLAMP  
10495-01-000 (8)  
SCREW  
G67-10-12U (8)

1 CONNECTOR-WIRE  
(REF)  
SCREW  
G39-08-24U (4)  
WIRE-TIE  
008343-02-000 (2)

SLIDEOUT WIRE #2

SLIDEOUT WIRE #1

SLIDEOUT WIRE #3

SLIDEOUT WIRE #4

FROM  
LOAD CENTER  
(BLK)

FROM  
LOAD CENTER  
(YEL)

FROM  
RCP-B DINETTE  
(BRN-2)

FROM  
RCP-2 EXT COMP  
(BLU)

DETAIL DA

DETAIL DB

2 WIRE ROUTED IN SIDEWALL.

1 STACK CONNECTORS-WIRE AS NECESSARY TO FIT CONNECTORS ONTO BRACKET-110V CONNECTOR. SEE SHT 1 FOR ADDITIONAL INFORMATION.

NOTES:

265 CODES/STANDARDS-CSA/CMVSS

1B1 CODES/STANDARDS USA

1B1 265

FOR ELECTRICAL  
TORQUE  
SPECIFICATIONS  
SEE DWG NO.  
128783-01-000

X-X  
FOR ELECTRICAL  
CALLOUTS  
SEE DWG NO.  
121339-01-000

DESCRIPTION:  
**WIRING INSTL-BODY, 110V**

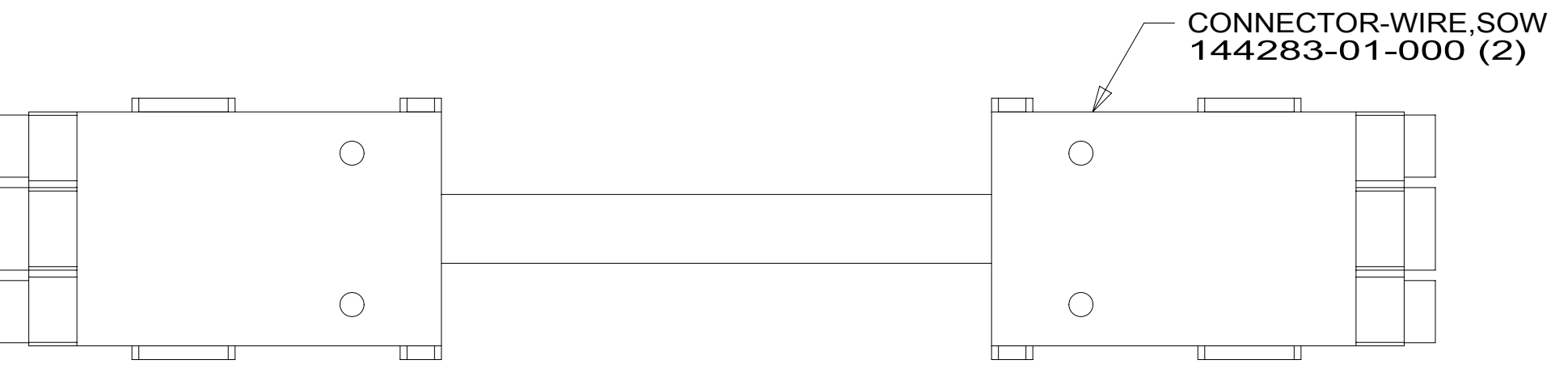
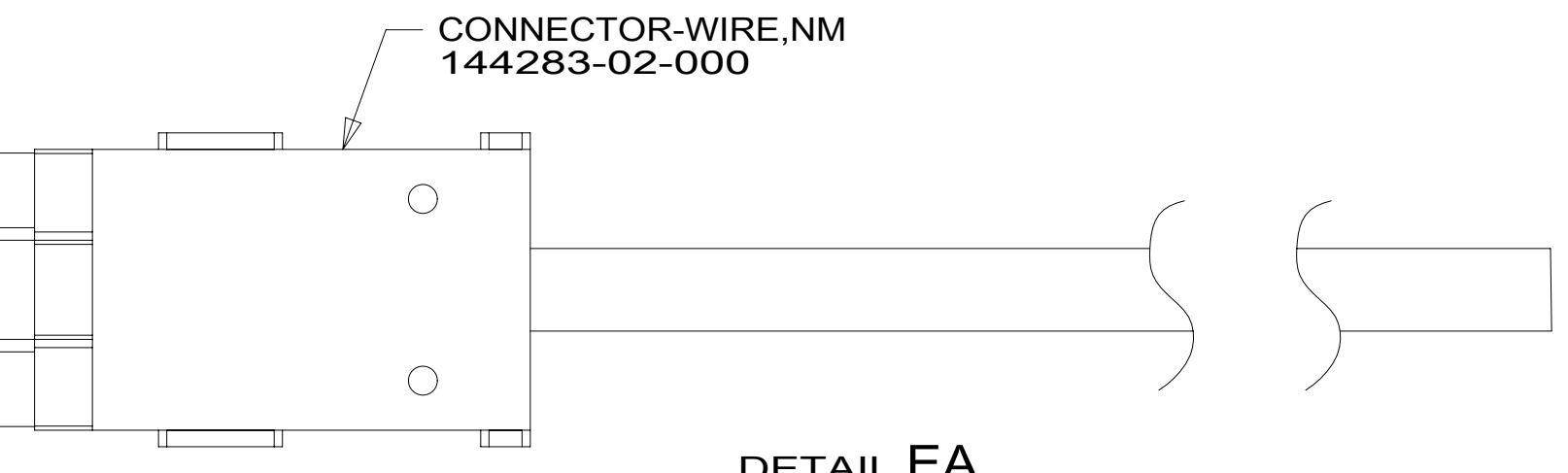
SHEET: 4 OF 8 ITEM/PART NO: 000124818 / 32401001000 REV

1 22-Mar-2018

8 7 6 5 4 3 2 1

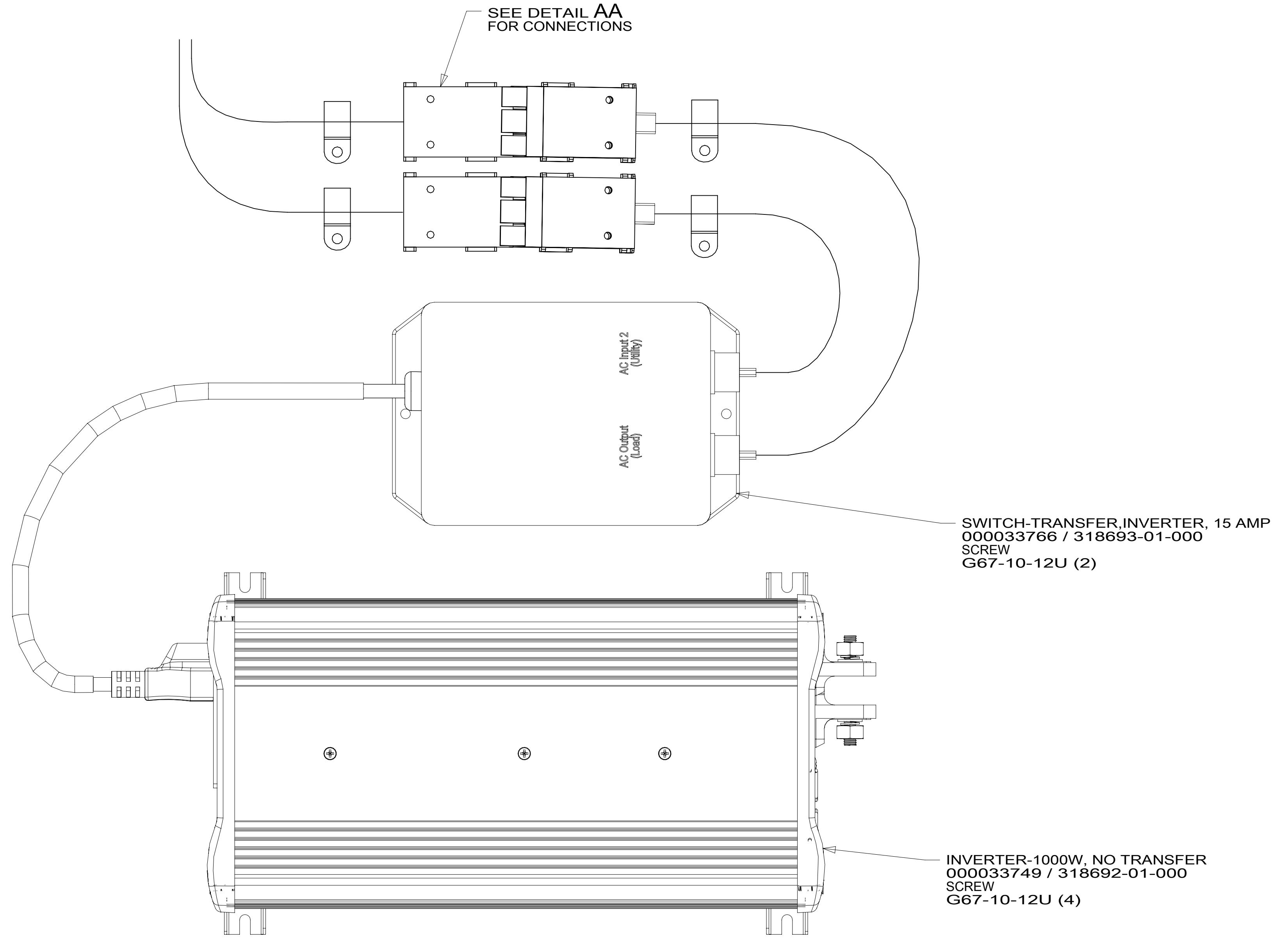
D

D



C

C



B

B

A

A

DETAIL EC 401

- 401 INVERTER-DC/AC, 1000 WATT
- 265 CODES/STANDARDS-CSA/CMVSS
- 1B1 CODES/STANDARDS USA

FOR ELECTRICAL  
TORQUE  
SPECIFICATIONS  
SEE DWG NO.  
128783-01-000

FOR ELECTRICAL  
CALLOUTS  
SEE DWG NO.  
121339-01-000

DESCRIPTION:	1B1 265	
<b>WIRING INSTL-BODY, 110V</b>		
SHEET:	ITEM/PART NO:	REV
5 OF 8	000124818 / 32401001000	

8 7 6 5 4 3 2 1 22-Mar-2018

GRN	1B1	136135-08-066	073
	265	136136-08-066	073
RED	1B1	136135-07-057	
	265	136136-07-057	
YEL	1B1	136131-05-070	12D
	265	136134-05-070	12D
YEL	1B1	136131-05-017	073
	265	136134-05-017	073
YEL-2	1B1	136131-13-070	073
	265	136134-13-070	073
BRN	1B1	136131-03-038	
	265	136134-03-038	
BLU	1B1	136131-02-150	
	265	136134-02-150	
MAIN	1B1	136137-01-084	12D
	265	136138-01-084	12D
MAIN	1B1	136139-01-084	073
	265	136140-01-084	073
BLK	1B1	136131-06-070	
	265	136134-06-070	
SLIDEOUT WIRE #1		136151-05-030	12D
SLIDEOUT WIRE #1		136151-13-030	073
SLIDEOUT WIRE #2		136151-06-030	
SLIDEOUT WIRE #3		136151-19-030	
SLIDEOUT WIRE #4		136151-02-030	

THROW IN WIRE #1	1B1	136131-05-015	12D
	265	136134-05-015	12D
THROW IN WIRE #1	1B1	136131-13-015	073
	265	136134-13-015	073
THROW IN WIRE #2	1B1	136131-19-120	
	265	136134-19-120	
THROW IN WIRE #3	1B1	136131-19-011	1DF
	265	136134-19-011	1DF
THROW IN WIRE #4	1B1	136131-19-029	9PC
	265	136134-19-029	9PC
THROW IN WIRE #5	1B1	136131-19-060	
	265	136134-19-060	
THROW IN WIRE #6	1B1	136131-19-050	
	265	136134-19-050	
THROW IN WIRE #7	1B1	136131-02-036	
	265	136134-02-036	
THROW IN WIRE #8	1B1	136131-02-023	9PC
	265	136134-02-023	9PC
GROUND ATS		136145-01-014	073

ATTACH ONE END OF MAIN TO LOAD CENTER. COVER OTHER END OF MAIN CABLE ASM WITH 1000 MM OF CONDUIT 091234-02-000. SECURE WITH TAPE 8363-01-000.

SEE DETAIL EB FOR CONNECTOR INSTALLATION.

SEE DETAIL EA FOR CONNECTOR INSTALLATION.

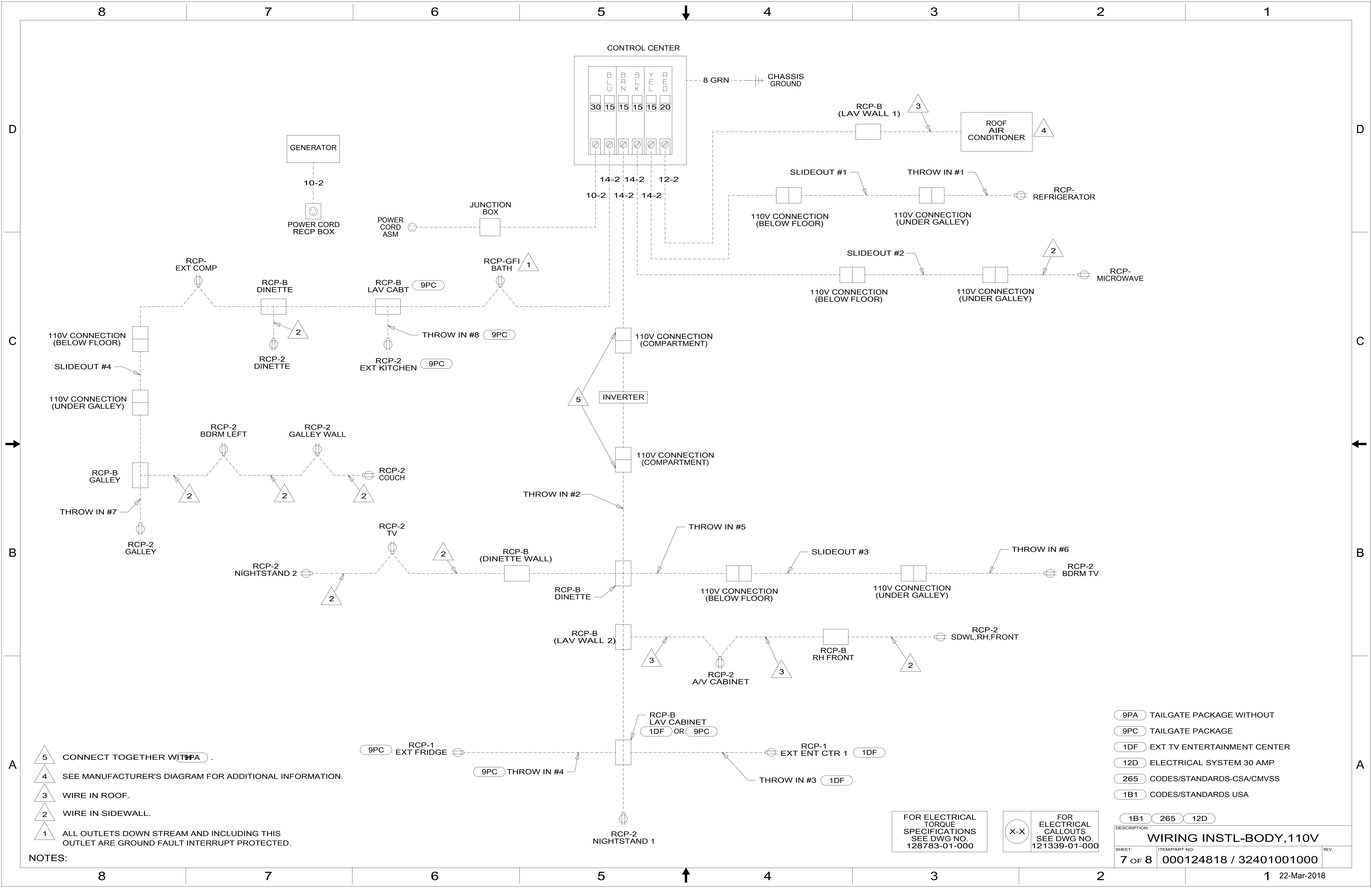
1. ALL GROUNDS WIRES TO BE COVERED WITH TUBING 8041-02-000.

- COOLING UPGRADE PACKAGE
- ELECTRICAL SYSTEM 30 AMP
- TAILGATE PACKAGE
- EXT TV ENTERTAINMENT CENTER
- CODES/STANDARDS-CSA/CMVSS
- CODES/STANDARDS USA

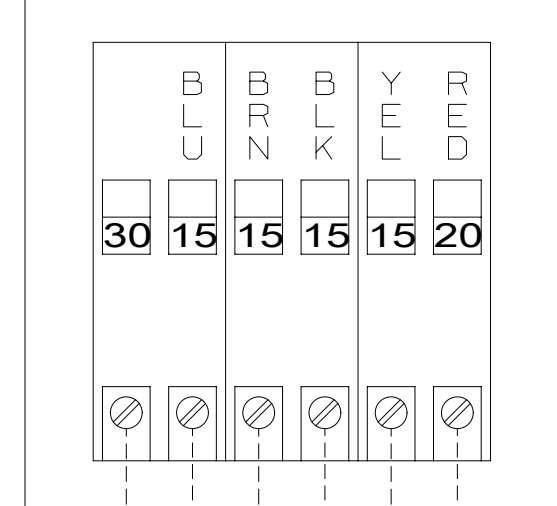
FOR ELECTRICAL TORQUE SPECIFICATIONS SEE DWG NO. 128783-01-000

FOR ELECTRICAL CALLOUTS SEE DWG NO. 121339-01-000

DESCRIPTION: <b>WIRING INSTL-BODY, 110V</b>	
SHEET: <b>6 OF 8</b>	ITEM/PART NO: <b>000124818 / 32401001000</b>
REV	



CONTROL CENTER



14-2 14-2 12-2  
10-2 14-2 14-2

8 GRN CHASSIS GROUND

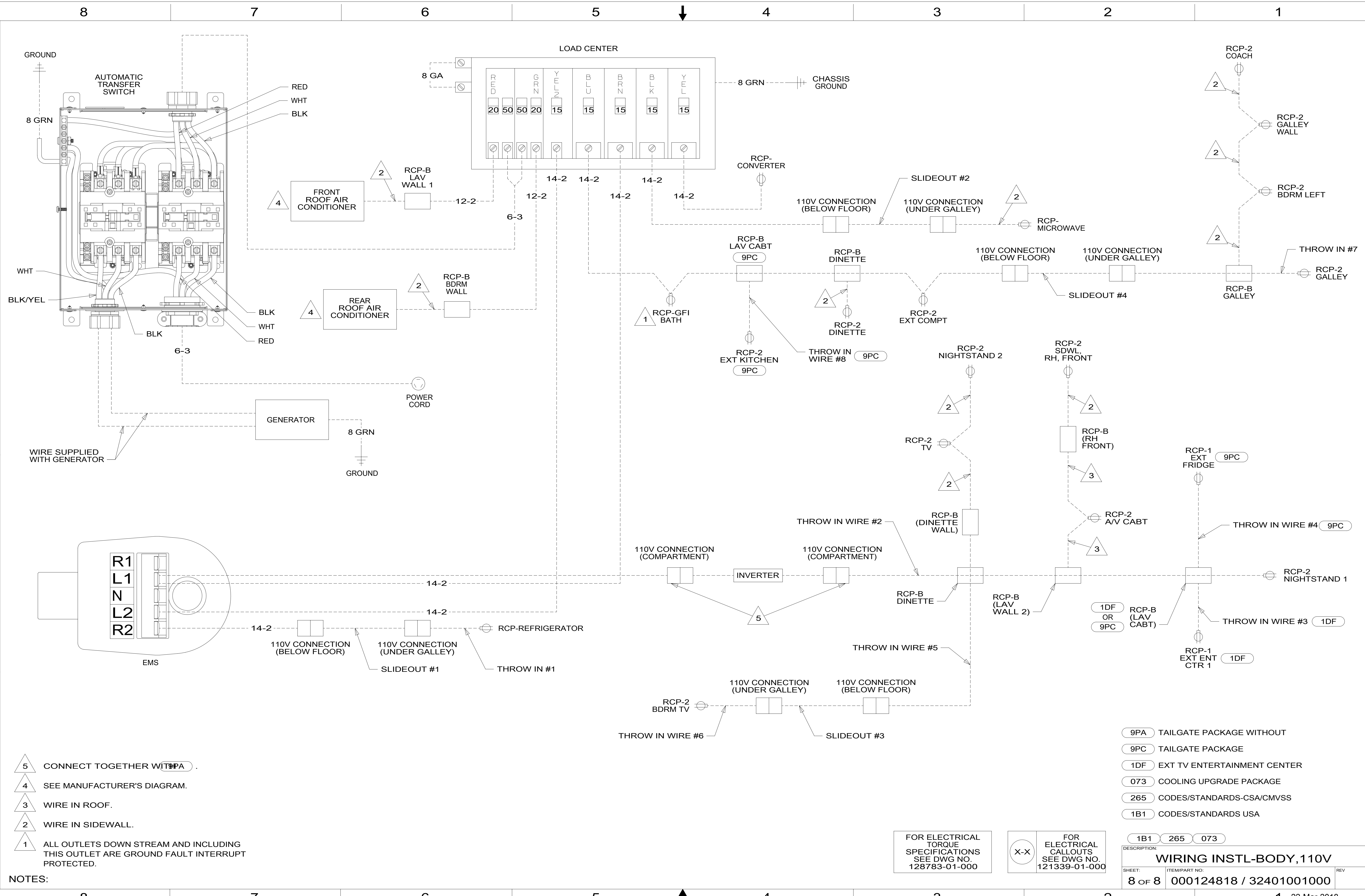
- NOTES:
- 5 CONNECT TOGETHER WITH 9PA .
  - 4 SEE MANUFACTURER'S DIAGRAM FOR ADDITIONAL INFORMATION.
  - 3 WIRE IN ROOF.
  - 2 WIRE IN SIDEWALL.
  - 1 ALL OUTLETS DOWN STREAM AND INCLUDING THIS OUTLET ARE GROUND FAULT INTERRUPT PROTECTED.

- 9PA TAILGATE PACKAGE WITHOUT
- 9PC TAILGATE PACKAGE
- 1DF EXT TV ENTERTAINMENT CENTER
- 12D ELECTRICAL SYSTEM 30 AMP
- 265 CODES/STANDARDS-CSA/CMVSS
- 1B1 CODES/STANDARDS USA

FOR ELECTRICAL TORQUE SPECIFICATIONS SEE DWG NO. 128783-01-000

FOR ELECTRICAL CALLOUTS SEE DWG NO. 121339-01-000

DESCRIPTION:		
<b>WIRING INSTL-BODY, 110V</b>		
SHEET: 7 OF 8	ITEM/PART NO. 000124818 / 32401001000	REV



- NOTES:**
- 5 CONNECT TOGETHER WITH 9PA
  - 4 SEE MANUFACTURER'S DIAGRAM.
  - 3 WIRE IN ROOF.
  - 2 WIRE IN SIDEWALL.
  - 1 ALL OUTLETS DOWN STREAM AND INCLUDING THIS OUTLET ARE GROUND FAULT INTERRUPT PROTECTED.

- 9PA TAILGATE PACKAGE WITHOUT
- 9PC TAILGATE PACKAGE
- 1DF EXT TV ENTERTAINMENT CENTER
- 073 COOLING UPGRADE PACKAGE
- 265 CODES/STANDARDS-CSA/CMVSS
- 1B1 CODES/STANDARDS USA

FOR ELECTRICAL TORQUE SPECIFICATIONS SEE DWG NO. 128783-01-000

FOR ELECTRICAL CALLOUTS SEE DWG NO. 121339-01-000

DESCRIPTION:	1B1 265 073	
<b>WIRING INSTL-BODY, 110V</b>		
SHEET:	ITEM/PART NO.:	REV
8 OF 8	000124818 / 32401001000	