

D

C

B

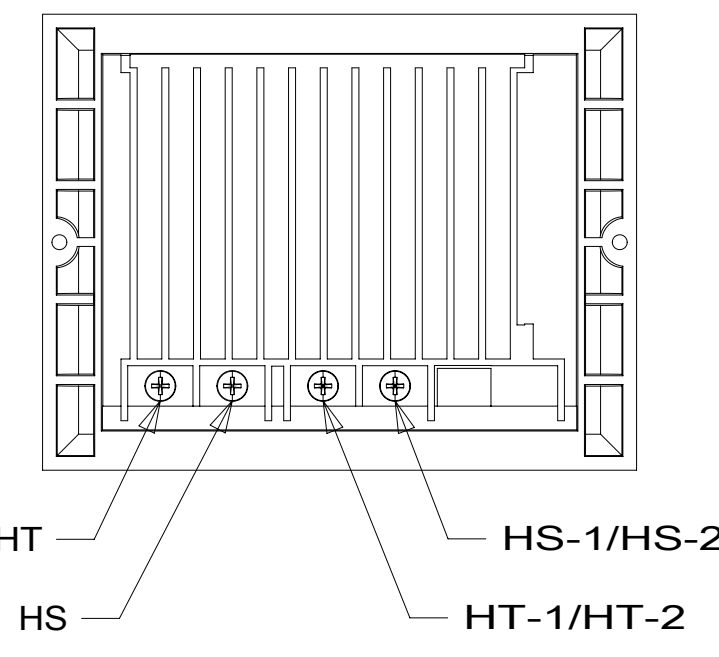
A

D

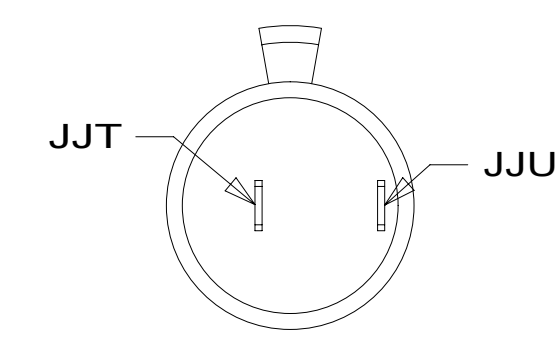
C

B

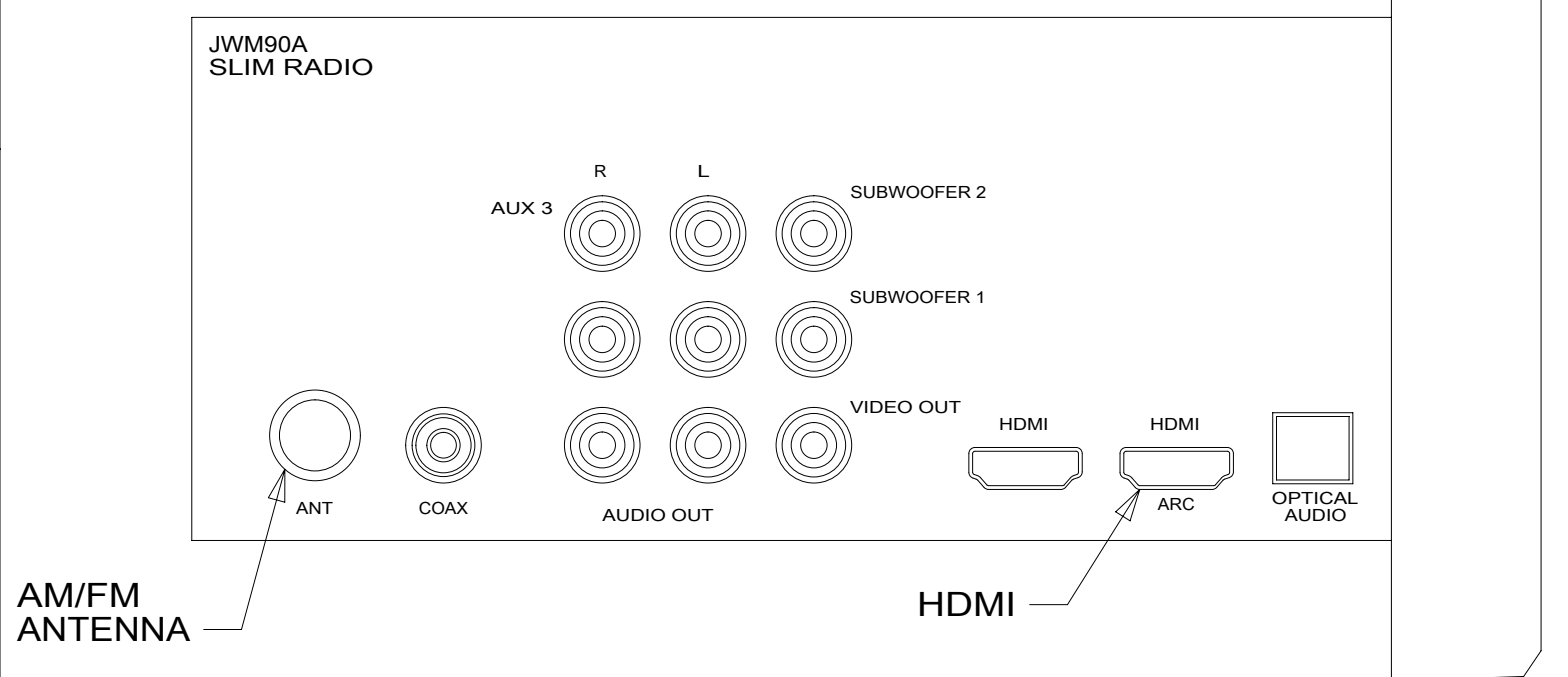
A



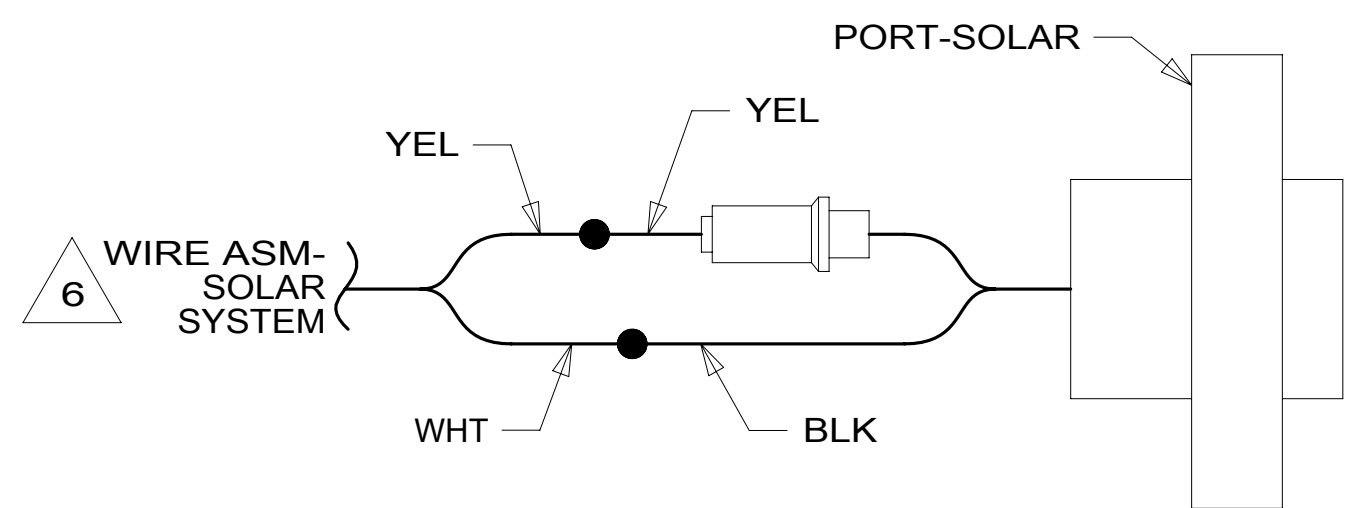
DETAIL AB



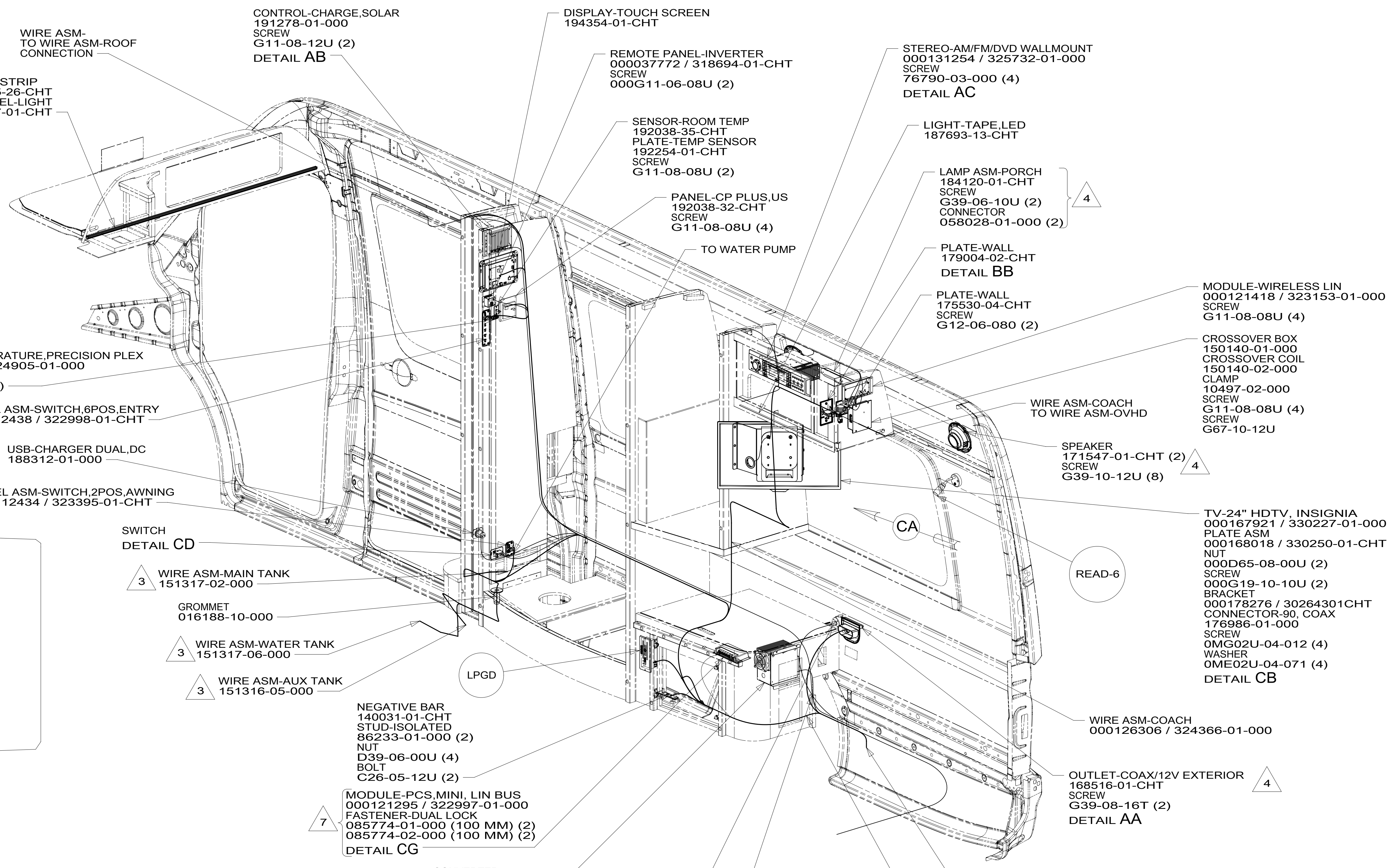
DETAIL AA



DETAIL AC



DETAIL AD



- 7 MOUNT TO TOP OF WHEEL WELL. CLEAN SURFACES.
- 6 SEE WIRE ASM-SOLAR SYSTEM AND WIRING INSTL-CHASSIS FOR ADDITIONAL INFORMATION.
- 5 CUT TO LENGTH NEEDED TO FIT CABINET.
- 4 MOUNT ON EXTERIOR SURFACE OF VAN SIDEWALL.
- 3 PLACE CROSS LOCATOR ON SENSORS OVER DIMPLES ON TANK.

2. ROUTE TANK SENSOR WIRES SO THEY DO NOT PASSOVER SENSORS. USE WIRE TIE MOUNT 155366-01-000 AND WIRE TIE 8343-01-000 AS NEEDED. TANK SURFACE MUST BE CLEANED USING ISOPROPYL ALCOHOL AND PRIMED WITH PRIMER 94.
1. AT MINIMUM ALL WIRES TO BE SUPPORTED AND SECURED PER CODE REQUIREMENTS. USE CLAMP 10495 OR 10497 OR WIRE TIE 8343 OR 108046 AND SCREW G67-XX-XXX OR G56-XX-XXX AS APPROPRIATE FOR INSTALLATION.

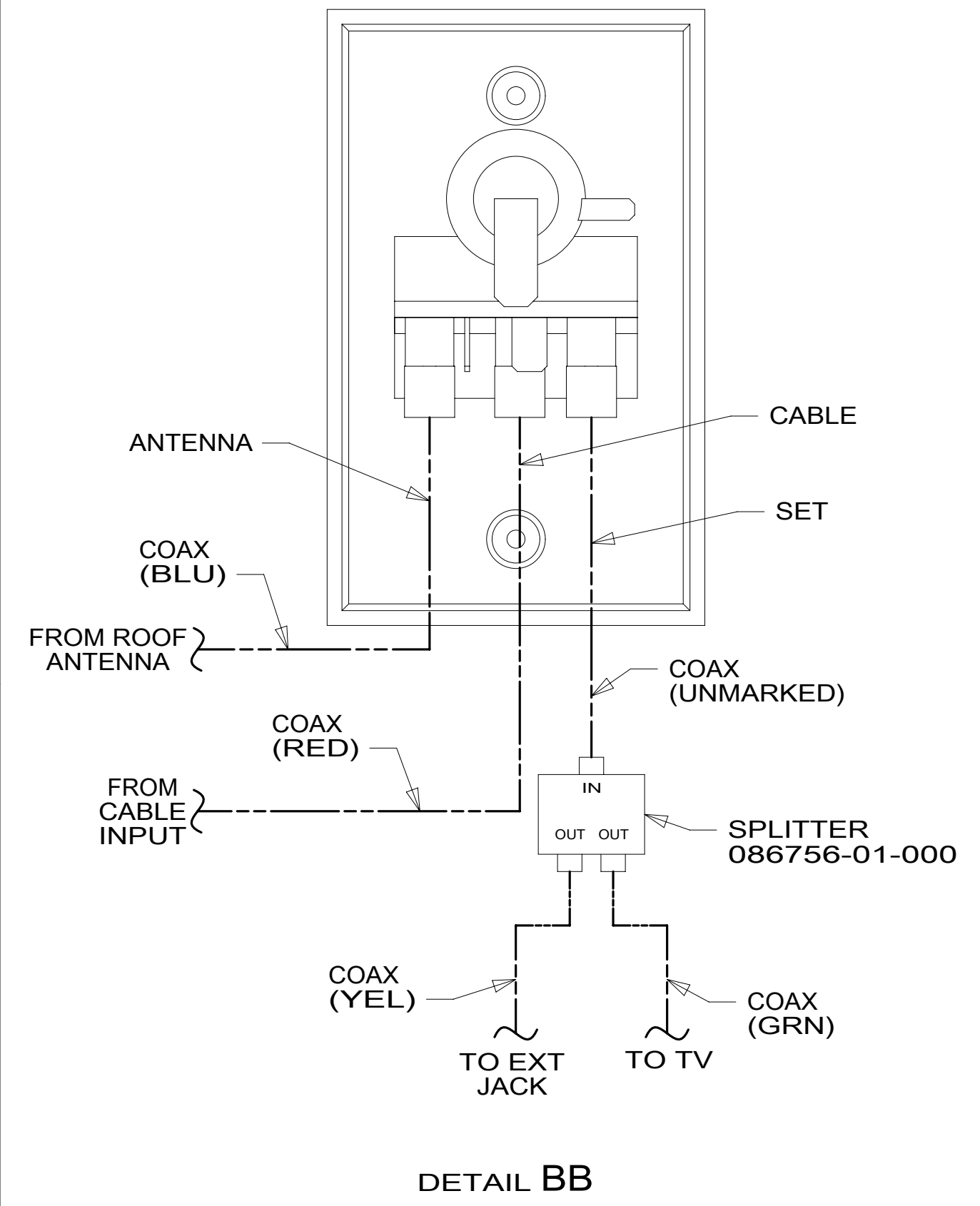
NOTES:

- 265 CODES/STANDARDS-CSA/CMVSS
- 1B1 CODES/STANDARDS USA
- 1B1 265

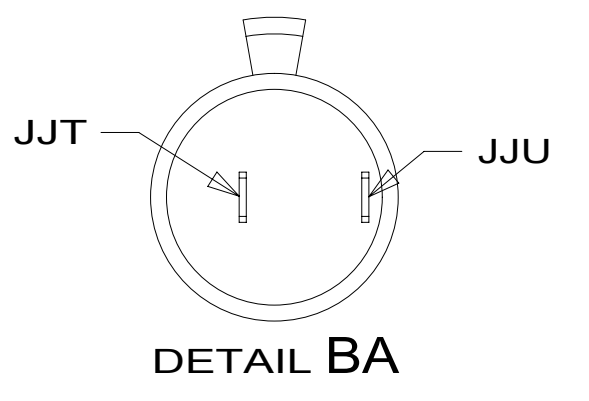
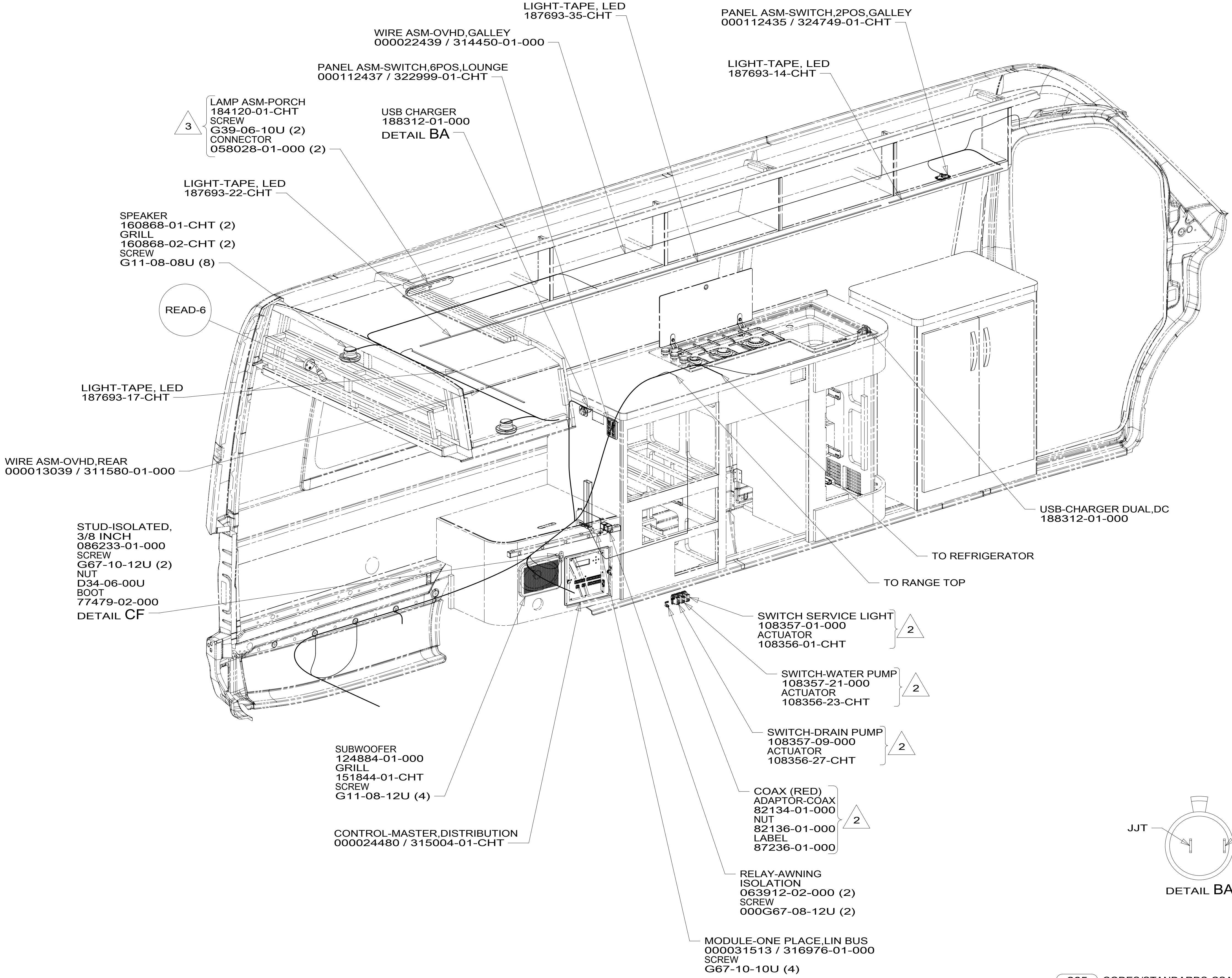
WINNEBAGO		COPYRIGHT 2016 WINNEBAGO INDUSTRIES, INC.	
DSNR:	ALL DIMENSIONS ARE IN MILLIMETERS		
DIFFR:			
UNSPECIFIED TOLERANCES:	MATERIAL:		
WHOLE DIM (X) :	3		
ONE-PLACE (X.X) :	1.5		
TWO-PLACE (X.XX) :	0.50		
ANGLE :	1°		
REFER TO ES0018 FOR FASTENER TIGHTENING GUIDELINES	WEIGHT: (LBS)	FIRST USED:	
		18 170X	
DESCRIPTION:			
WIRING INSTL-BODY, 12V			
SHEET:	ITEM/PART NO.:	REV:	
1 OF 4	000123712 / 32389101000		

FOR ELECTRICAL TORQUE SPECIFICATIONS SEE DWG NO. 128783-01-000

FOR ELECTRICAL CALLOUTS SEE DWG NO. 121339-01-000



DETAIL BB



- 3 MOUNT ON EXTERIOR SURFACE OF VAN SIDEWALL.
- 2 MOUNTED IN EXTERIOR SERVICE CENTER.

1. AT MINIMUM ALL WIRES TO BE SUPPORTED AND SECURED PER CODE REQUIREMENTS. USE CLAMP 10495 OR 10497 OR WIRE TIE 8343 OR 108046 AND SCREW G67-XX-XXX OR G56-XX-XXX AS APPROPRIATE FOR INSTALLATION.

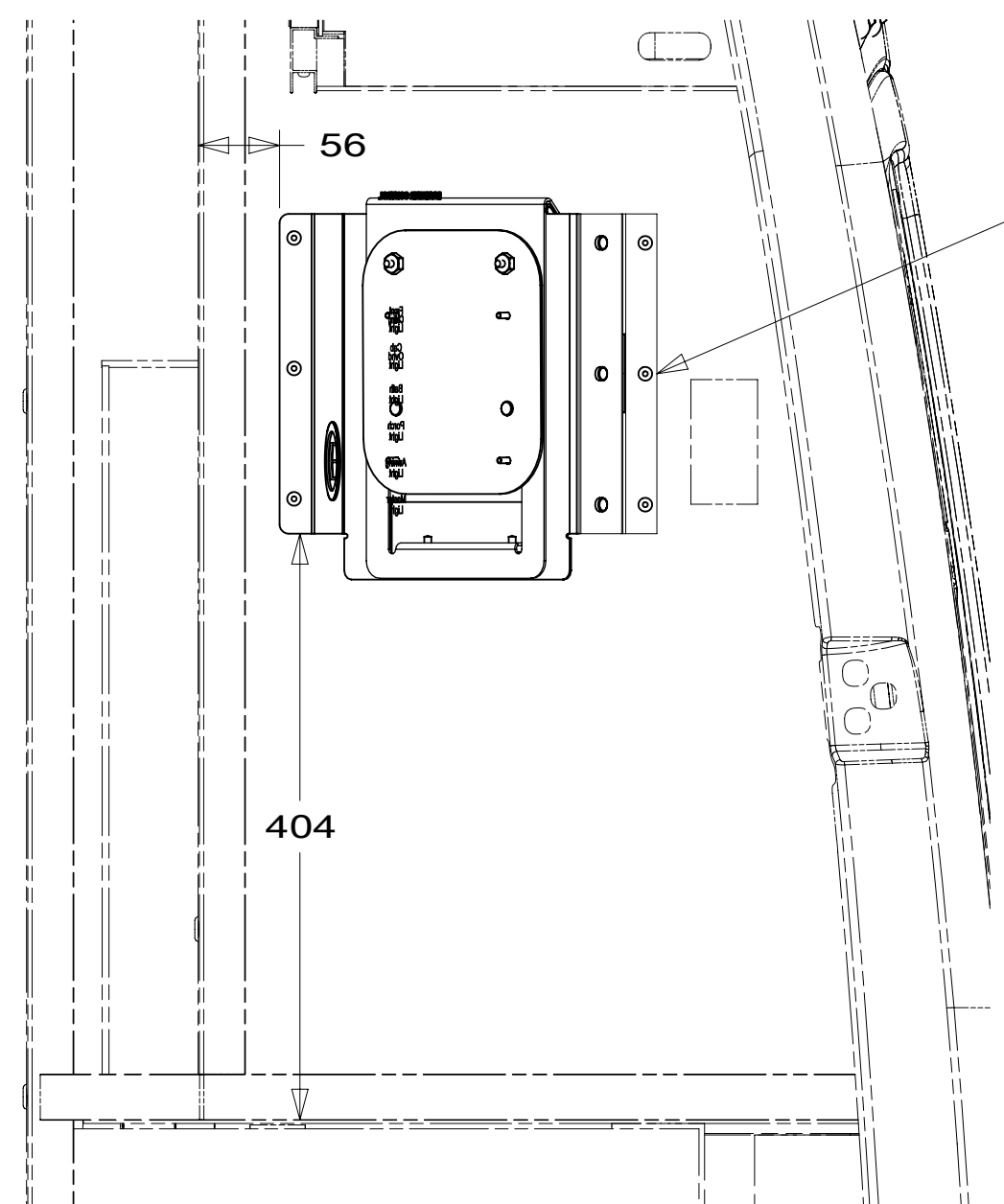
NOTES:

FOR ELECTRICAL TORQUE SPECIFICATIONS SEE DWG NO. 128783-01-000

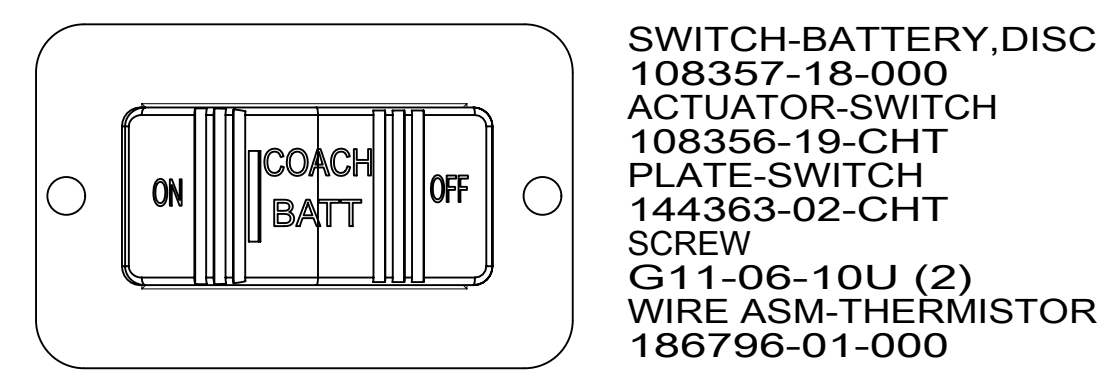
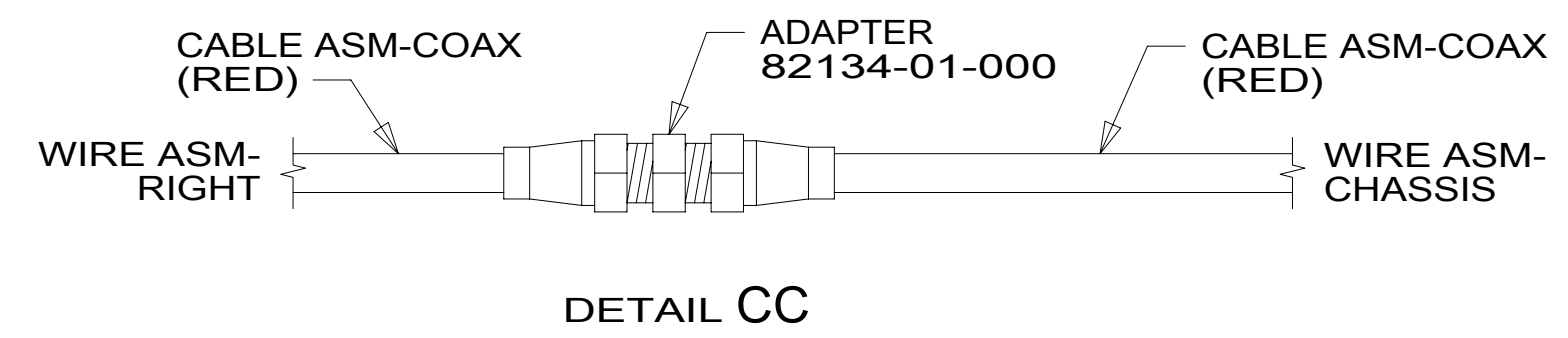
FOR ELECTRICAL CALLOUTS SEE DWG NO. 121339-01-000

- 265 CODES/STANDARDS-CSA/CMVSS
- 1B1 CODES/STANDARDS USA

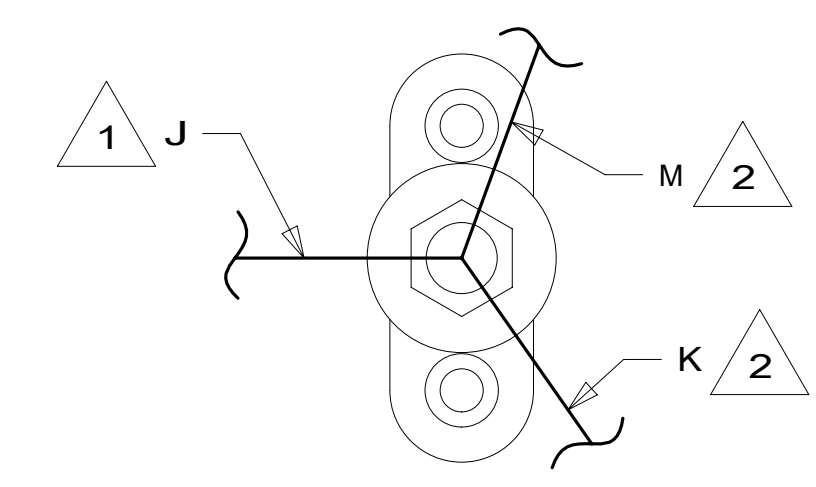
DESCRIPTION:		
WIRING INSTL-BODY, 12V		
SHEET:	ITEM/PART NO.:	REV:
2 OF 4	000123712 / 32389101000	



BRACKET-TV
302677-01-CHT
192438-02-CHT
SCREW
G39-10-08U (5)
G11-10-08U (6)
GROMMET
114208-05-000 (2)



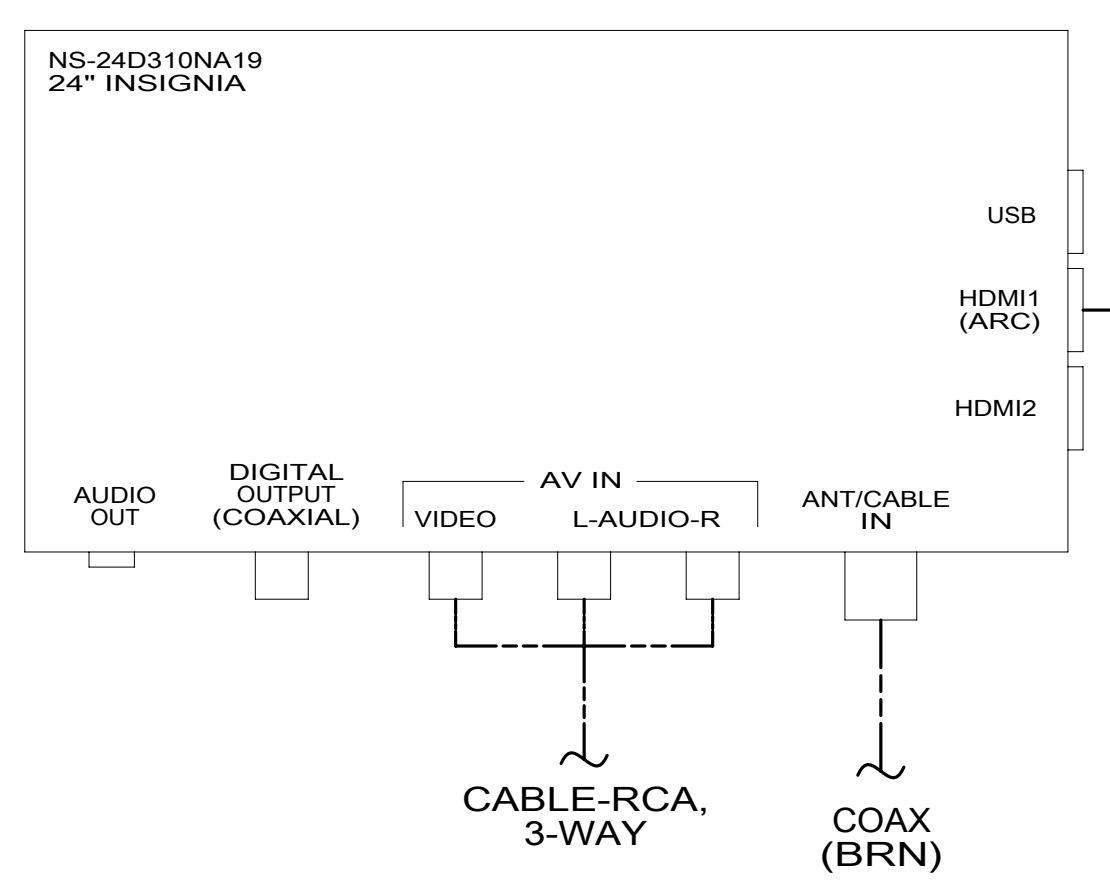
SWITCH-BATTERY,DISC
108357-18-000
ACTUATOR-SWITCH
108356-19-CHT
PLATE-SWITCH
144363-02-CHT
SCREW
G11-06-10U (2)
WIRE ASM-THERMISTOR
186796-01-000



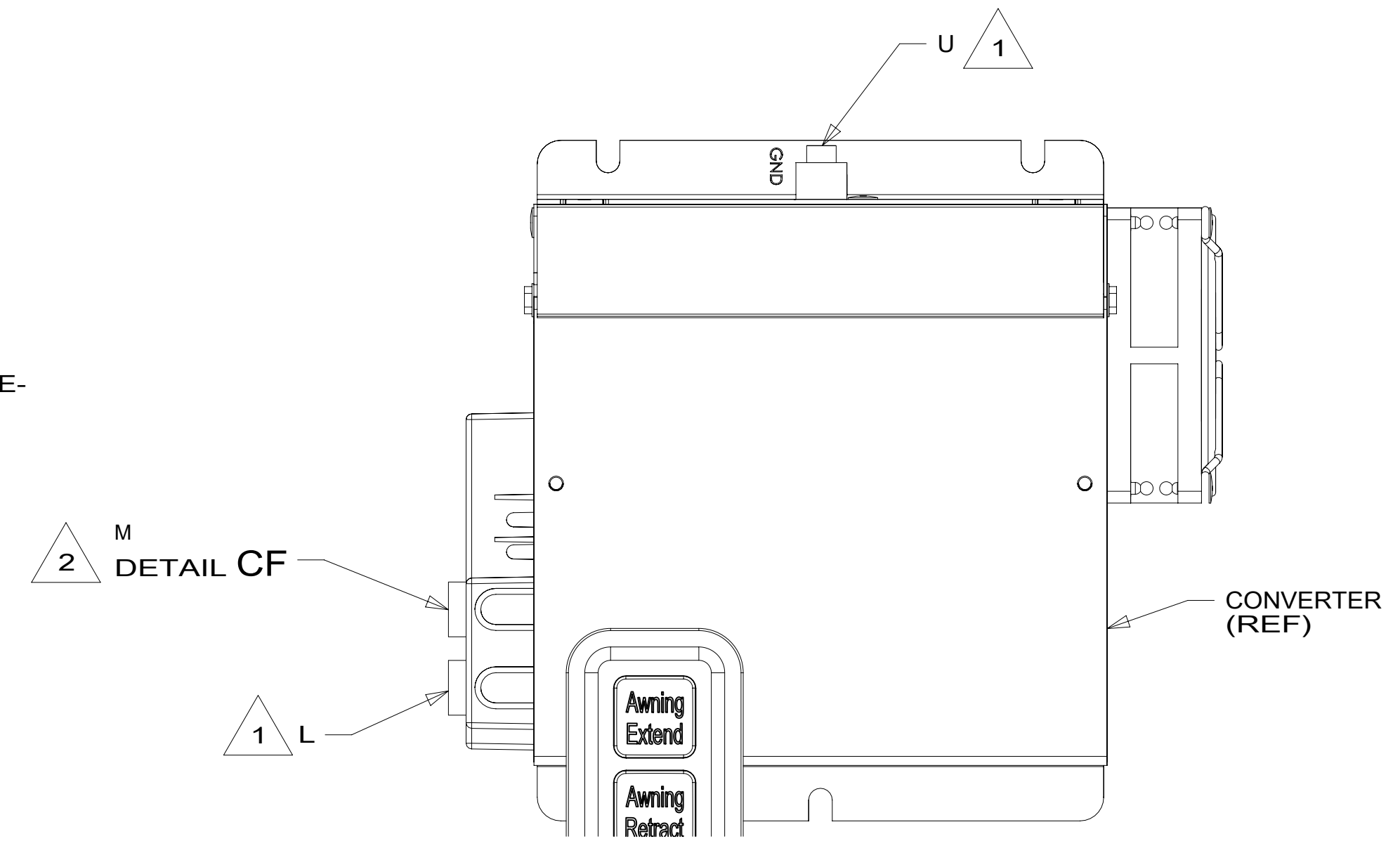
DETAIL CF

VIEW CA
(TV NOT SHOWN)

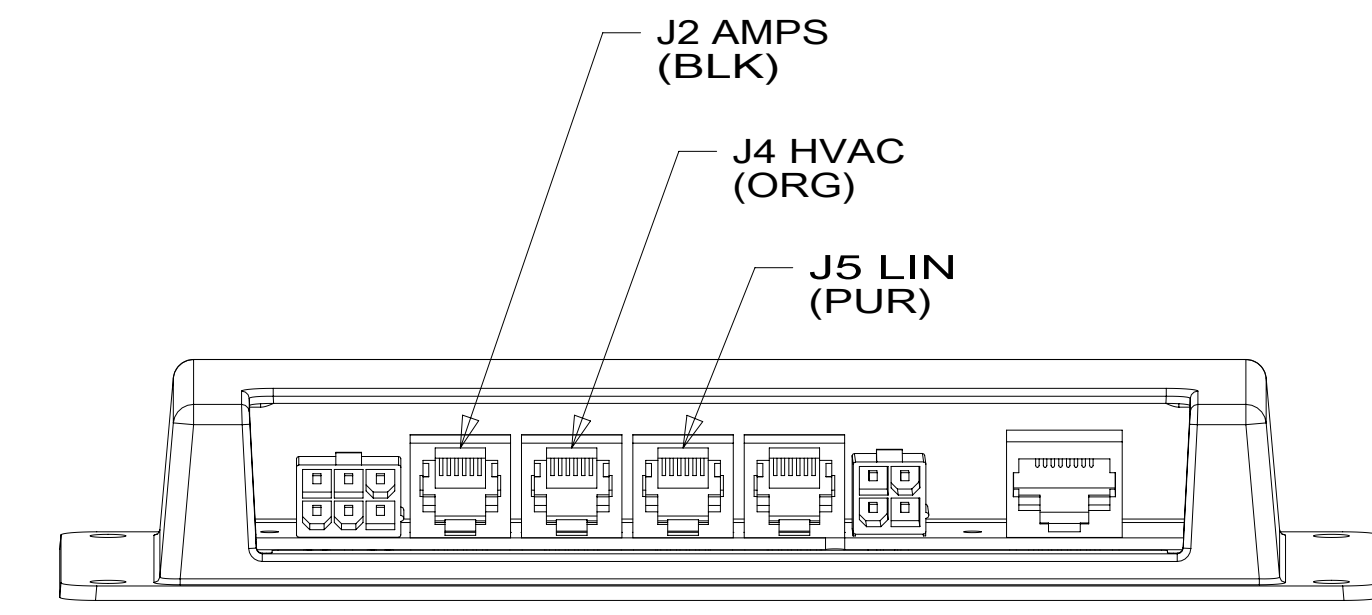
DETAIL CD



DETAIL CB



DETAIL CE



DETAIL CG

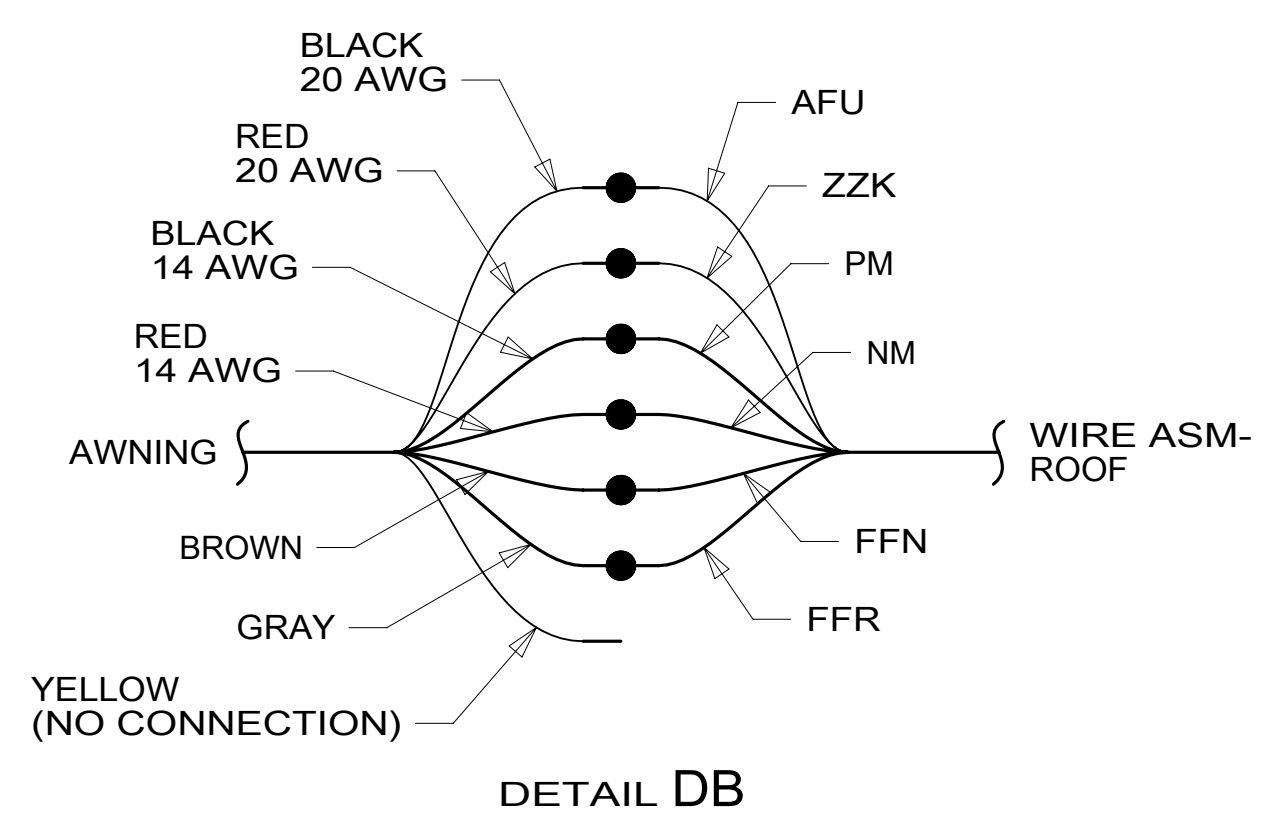
NOTES:
2 CIRCUIT FROM WIRE ASM-COACH.
1 CIRCUIT FROM WIRE ASM-CHASSIS

FOR ELECTRICAL TORQUE SPECIFICATIONS SEE DWG NO. 128783-01-000

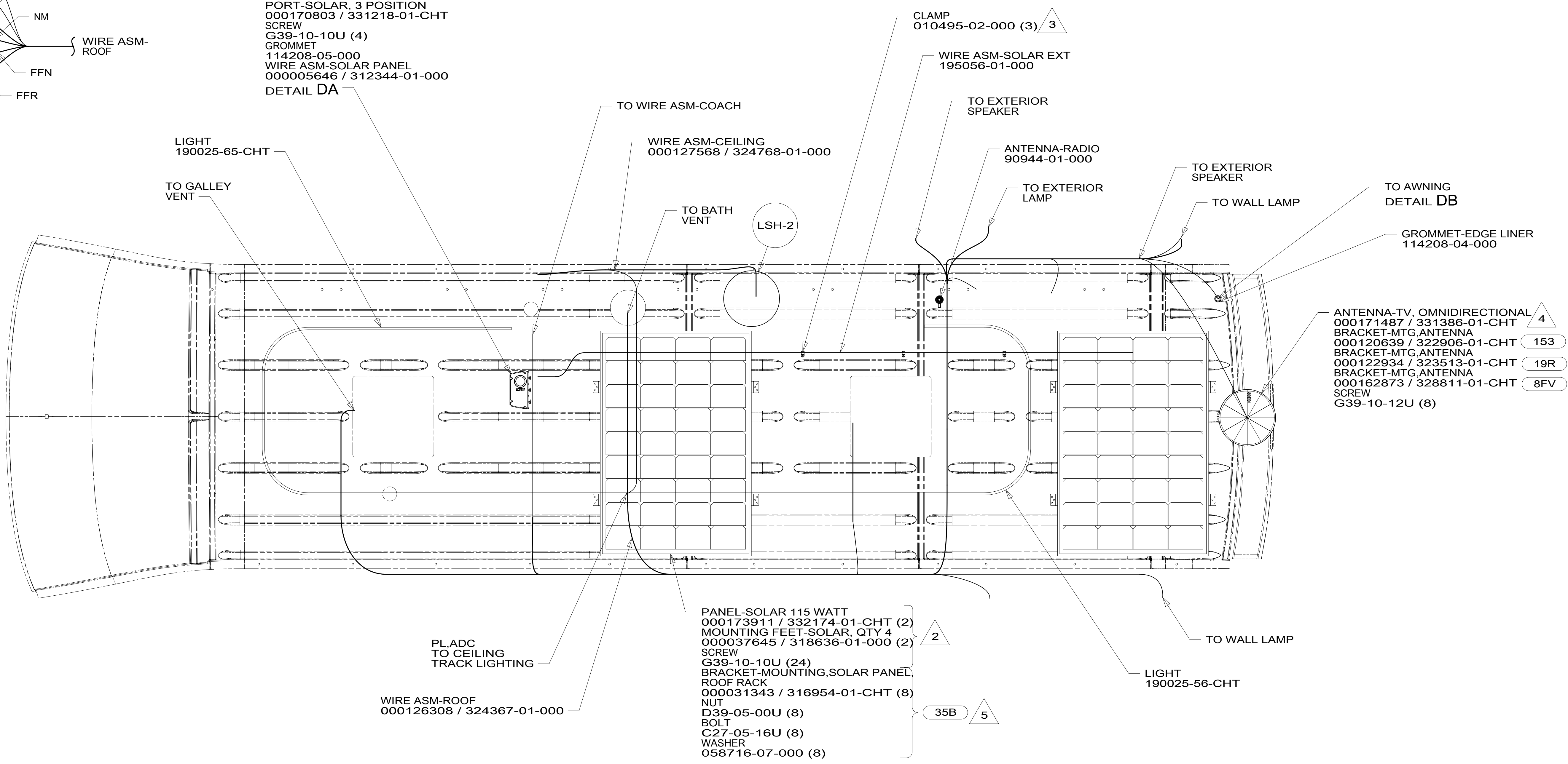
FOR ELECTRICAL CALLOUTS SEE DWG NO. 121339-01-000

265 CODES/STANDARDS-CSA/CMVSS
1B1 CODES/STANDARDS USA

DESCRIPTION: WIRING INSTL-BODY, 12V	
SHEET: 3 OF 4	ITEM/PART NO.: 000123712 / 32389101000
REV	



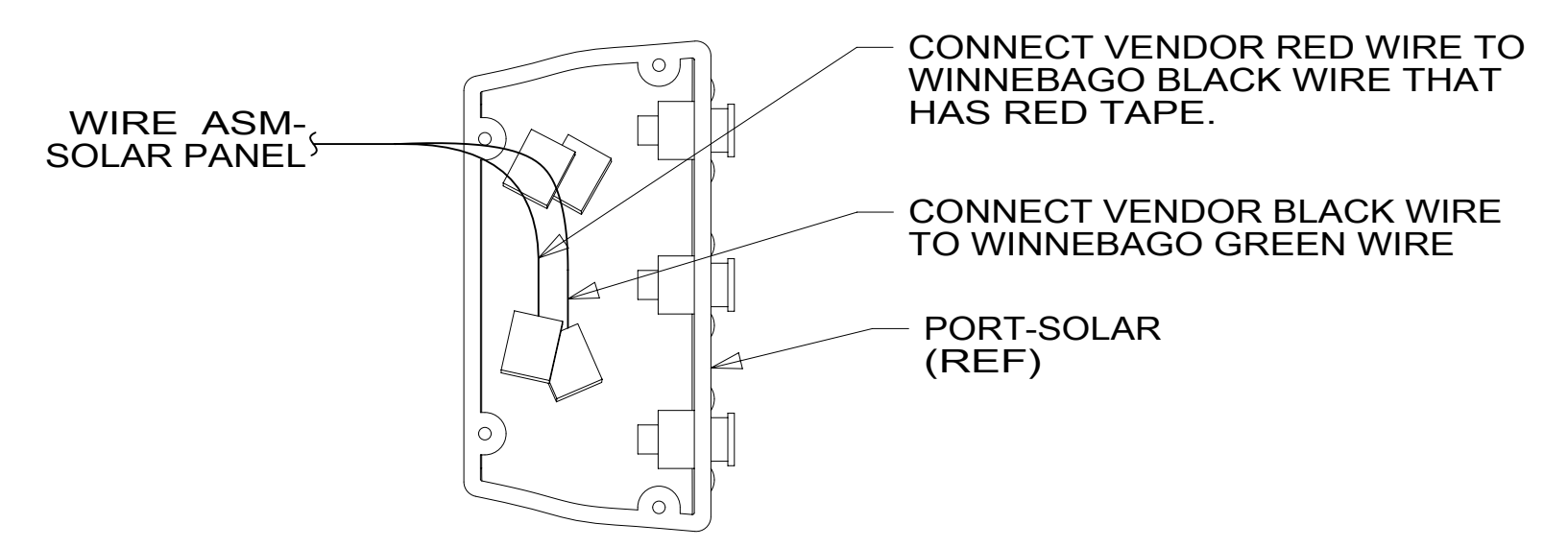
PORT-SOLAR, 3 POSITION
 000170803 / 331218-01-CHT
 SCREW
 G39-10-10U (4)
 GROMMET
 114208-05-000
 WIRE ASM-SOLAR PANEL
 000005646 / 312344-01-000
 DETAIL DA



ANTENNA-TV, OMNIDIRECTIONAL
 000171487 / 331386-01-CHT
 BRACKET-MTG,ANTENNA
 000120639 / 322906-01-CHT (153)
 BRACKET-MTG,ANTENNA
 000122934 / 323513-01-CHT (19R)
 BRACKET-MTG,ANTENNA
 000162873 / 328811-01-CHT (8FV)
 SCREW
 G39-10-12U (8)

PANEL-SOLAR 115 WATT
 000173911 / 332174-01-CHT (2)
 MOUNTING FEET-SOLAR, QTY 4
 000037645 / 318636-01-000 (2)
 SCREW
 G39-10-10U (24)
 BRACKET-MOUNTING,SOLAR PANEL
 ROOF RACK
 000031343 / 316954-01-CHT (8)
 NUT
 D39-05-00U (8)
 BOLT
 C27-05-16U (8)
 WASHER
 058716-07-000 (8)

WIRE ASM-ROOF
 000126308 / 324367-01-000



DETAIL DA

- 5 WITH 35B NUTS AND BOLTS SUPPLIED WITH MOUNTING FEET TO ATTCH BRACKET TO SOLAR PANEL.
- 4 DRILL 19 MM HOLE THROUGH PLUG.
- 3 ATTACH CLAMPS WHEN MOUNTING A/C SUPPORT PANEL. SEE A/C SYSTEM INSTALLATION FOR ADDITIONAL INFORMATION.
- 2 MOUNTED ON EXTERIOR SURFACE OF ROOF.

1. AT MINIMUM ALL WIRES TO BE SUPPORTED AND SECURED PER CODE REQUIREMENTS. USE CLAMP 10495 OR 10497 OR WIRE TIE 8343 OR 108046 AND SCREW G67-XX-XXX OR G56-XX-XXX AS APPROPRIATE FOR INSTALLATION.

NOTES:

FOR ELECTRICAL TORQUE SPECIFICATIONS SEE DWG NO. 128783-01-000

FOR ELECTRICAL CALLOUTS SEE DWG NO. 121339-01-000

- 8FV MERCEDES CHASSIS UPGRADE PKG
- 19R RADIO/REARVIEW MONITOR SYS
- 35B LUGGAGE RACK
- 29W SOLAR PANEL/BATTERY CHRNG W/O
- 265 CODES/STANDARDS-CSA/CMVSS
- 1B1 CODES/STANDARDS USA

DESCRIPTION: WIRING INSTL-BODY, 12V		
SHEET: 4 OF 4	ITEM/PART NO: 000123712 / 32389101000	REV