

8
 TV-24" HDTV, INSIGNIA
 000167921 / 330227-01-000
 PLATE ASM-TV
 000168018 / 330250-01-CHT
 NUT
 000D65-08-00U (2)
 SCREW
 000G19-10-10U (2)
 CABLE-AUDIO 1/8 TO RCA
 160574-01-000
 SCREW
 OMG02U-04-012 (4)
 WASHER
 OME02U-04-071 (4)
 TIE-WIRE, MOUNT
 155366-01-000
 CONNECTOR-F, 90 RIGHT ANGLE
 176986-01-000
 DETAIL CA

8
 LIGHT-STRIP
 190025-26-CHT
 CHANNEL-LIGHT
 190097-01-CHT

LIGHT-TAPE, LED
 187693-15-CHT

DISPLAY-TOUCH SCREEN
 194354-01-CHT

PANEL-CP PLUS,US
 192038-32-CHT
 SCREW
 G1108-08U (4)

REMOTE PANEL-INVERTER
 000037772 / 318694-01-CHT
 SCREW
 000G11-06-08U (2)

CONTROL-CHARGE, SOLAR
 191278-01-000
 SCREW
 G11-08-12U (2)
 DETAIL AA

LAMP ASM-PORCH
 184120-01-CHT
 SCREW
 G39-06-10U (2)
 CONNECTOR
 058028-01-000 (2)

LIGHT-TAPE, LED
 187693-22-CHT

SPEAKER
 171547-01-CHT (2)
 SCREW
 000G39-10-12U (8)

READ-6

USB-CHARGER
 188312-01-000
 DETAIL CD

TV-24" HDTV, INSIGNIA
 000167921 / 330227-01-000
 PLATE ASM-TV
 000168018 / 330250-01-CHT
 NUT
 000D65-08-00U (2)
 SCREW
 000G19-10-10U (2)
 PLATE-MNTNG, TV, 24INSIGNIA
 000178276 / 302643-01-CHT
 SCREW
 OMG02U-04-012 (4)
 WASHER
 OME02U-04-071 (4)
 DETAIL CA

OUTLET-COAX/
 12V EXTERIOR
 168516-01-CHT
 SCREW
 G39-08-16U (2)
 DETAIL CD

PORT-SOLAR, SINGLE, FUSED
 000169763 / 330845-01-000
 SCREW
 G39-10-16U (4)
 DETAIL CG

WIRE ASM-COACH
 000124276 / 323869-01-000

WIRE ASM-SOLAR PANEL
 000123512 / 323642-01-000

WIRE ASM-COACH
 TO LEFT SIDE

CONVERTER
 184353-01-000
 SCREW
 000G67-10-12U (3)
 DETAIL CJ

SPLITTER
 DETAIL BB

MODULE-PCS, MINI, LIN BUS
 000121295 / 322997-01-000
 SCREW
 G67-10-12U (4)
 DETAIL CL

SPLITTER-RCA
 185898-01-000
 BRACKET
 156586-10-CHT
 SCREW
 G11-08-12U (4)
 DETAIL CB

SPLITTER-HDMI
 192138-01-000
 FASTENER-DUAL LOCK
 85774-01-000 (180 MM)
 85774-02-000 (180 MM)
 DETAIL CE

CROSSOVER BOX
 150140-01-000
 CROSSOVER COIL
 150140-02-000
 CLAMP
 10497-02-000
 SCREW
 G11-08-08U (4)
 SCREW
 G67-10-12U

WIRE ASM-WATER TANK
 151317-06-000

GROMMET
 016188-10-000

WIRE ASM-AUX TANK
 151316-05-000

TO WATER PUMP

PANEL ASM-SWITCH, 2POS, AWNING
 000112434 / 323395-01-CHT

SWITCH
 DETAIL CC

PANEL ASM-SWITCH, 4POS, GALLEY
 000123993 / 323786-01-CHT

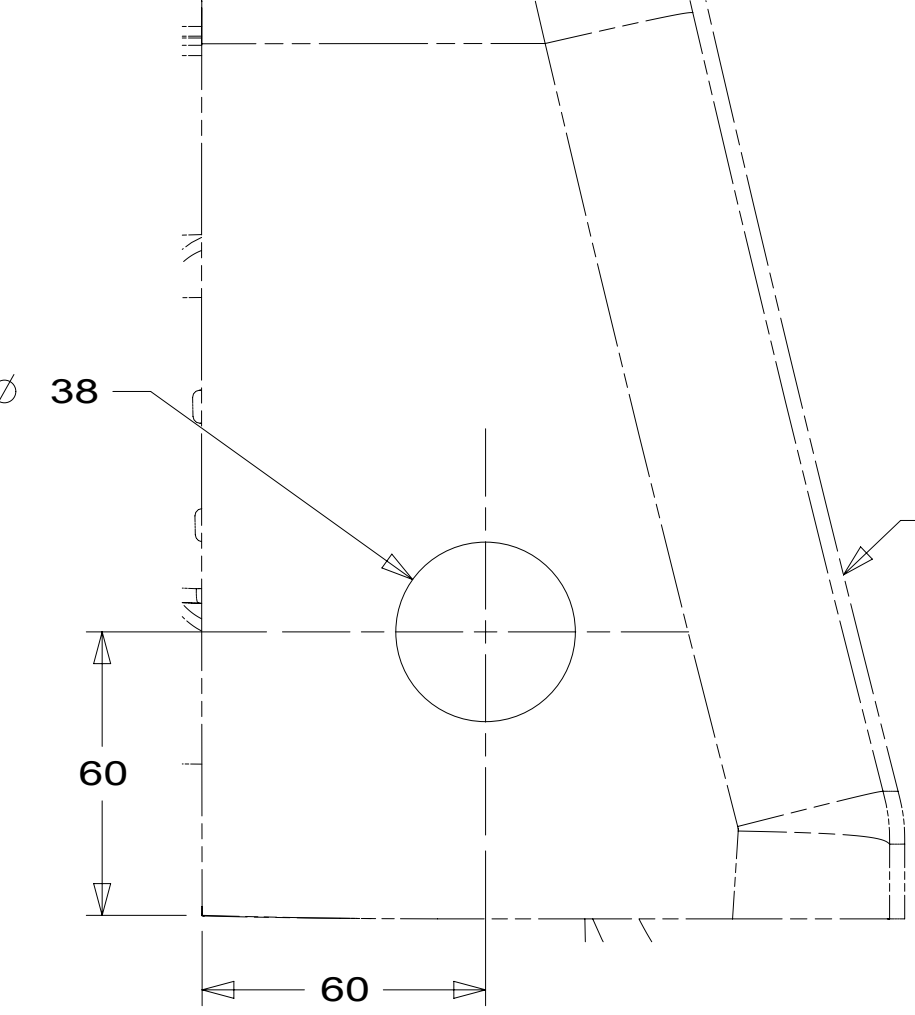
SENSOR-TEMPERATURE,
 PRECISION PLEX
 000128133 / 324905-01-000
 SCREW
 G13-08-10U (2)

PANEL ASM-SWITCH, 6POS, ENTRY
 000123987 / 323785-01-CHT

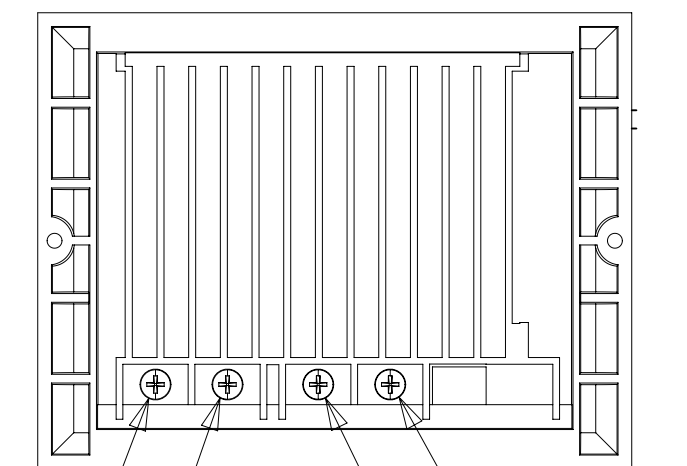
POST-MOUNTING, TV
 181756-01-CHT
 PLATE-5 HOLE
 126706-05-CHT
 SCREW-MACH
 G24-10-32U (4)
 NUT
 D24-10-00U (4)

68Y

68Y



VIEW AB



DETAIL AA

- NOTES:
- 8 CUT TO LENGTH NEEDED TO FIT CABINET.
 - 7 SEE WIRE ASM-SOLAR SYSTEM AND WIRE ASM-CHASSIS FOR ADDITIONAL INFORMATION.
 - 6 TV IS TO BE ABLE TO BE VIEWED FROM INSIDE OR OUTSIDE THE COACH. INSTALL TV MOUNTING POST SO THAT TV ROTATES TOWARDS THE FRONT OF THE COACH AND NEVER FACES THE STOVE TOP. INSTALL SUPPLIED GRUB SCREWS IN BASE TO LIMIT ROTATION. SEE MANUFACTURERS INSTALLATION INSTRUCTIONS FOR ADDITIONAL INFORMATION.
 - 5 CLEAN AND APPLY ADHESIVE PROMOTOR 87211-01-000 TO BOTH SURFACES. ATTACH DUAL LOCK TO UNDERSIDE OF SPLITTER AND APPLY TO FLOOR.
 - 4 MOUNT ON EXTERIOR SURFACE OF VAN SIDEWALL.
 - 3 PLACE CROSS LOCATOR ON SENSORS OVER DIMPLES ON TANK.
2. ROUTE TANK SENSOR WIRES SO THEY DO NOT PASS OVER SENSORS. USE WIRE TIE MOUNT 155366-01-000 AND WIRE TIE 8343-01-000 AS NEEDED. TANK SURFACE MUST BE CLEANED USING ISOPROPYL ALCOHOL AND PRIMED WITH PRIMER 94.
 1. AT MINIMUM ALL WIRES TO BE SUPPORTED AND SECURED PER CODE REQUIREMENTS. USE CLAMP 10495 OR 10497 OR WIRE TIE 8343 OR 108046 AND SCREW G67-XX-XXX OR G56-XX-XXX AS APPROPRIATE FOR INSTALLATION.

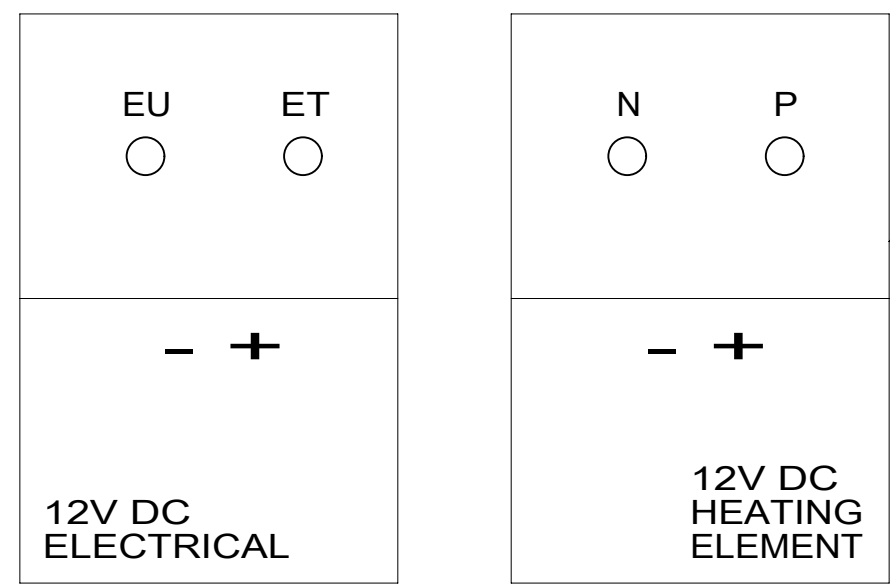
FOR ELECTRICAL TORQUE SPECIFICATIONS SEE DWG NO. 128783-01-000

FOR ELECTRICAL CALLOUTS SEE DWG NO. 121339-01-000

- 68X TV - BEDROOM
- 68Y TV - MAIN
- 265 CODES/STANDARDS-CSA/CMVSS
- 1B1 CODES/STANDARDS USA

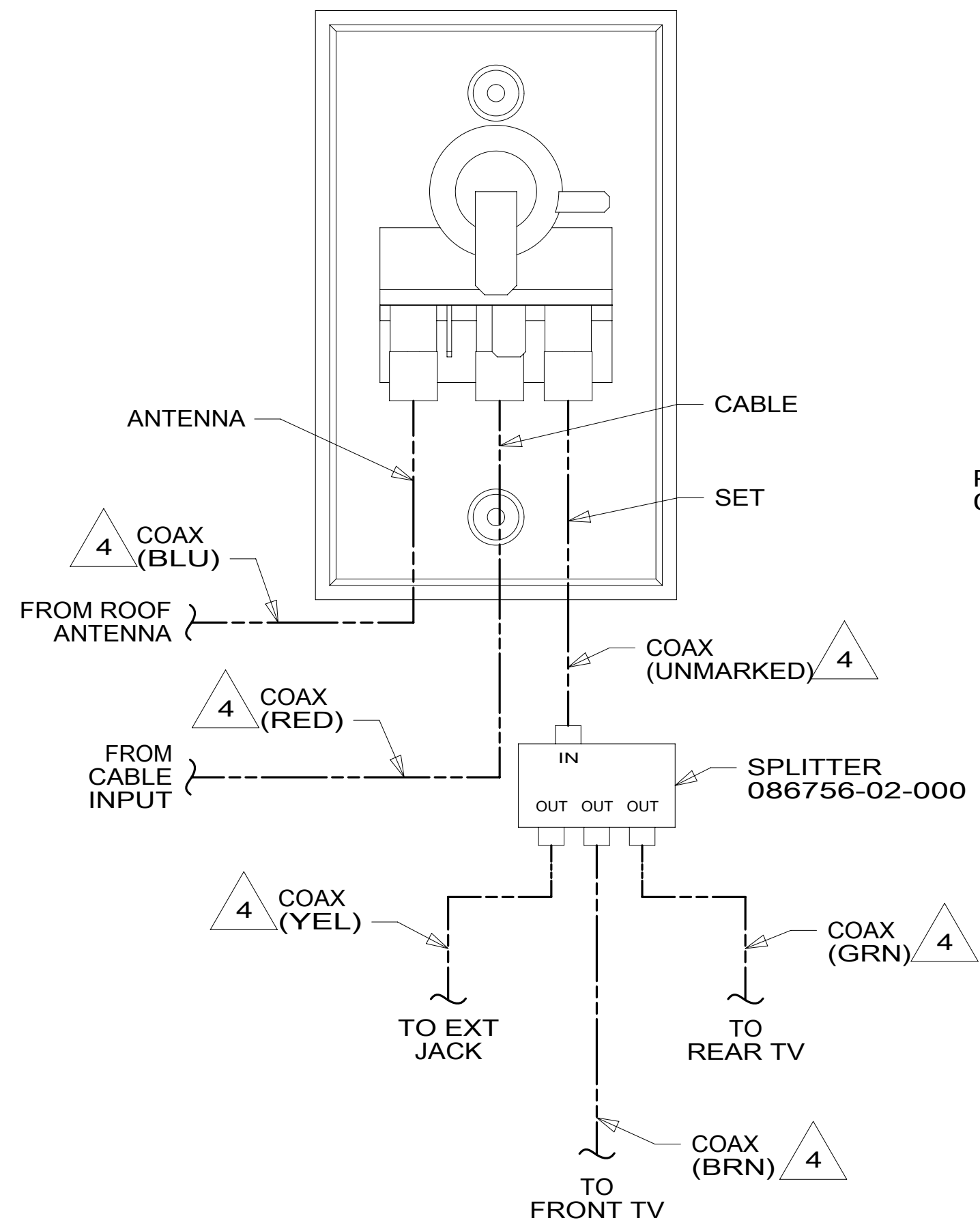
WINNEBAGO
 COPYRIGHT 2016 WINNEBAGO INDUSTRIES, INC.

| | |
|----------------------------------------------------|-----------------------------------------------|
| DSNR: | ALL DIMENSIONS ARE IN MILLIMETERS |
| DFFR: | |
| UNSPECIFIED TOLERANCES: | MATERIAL: |
| WHOLE DIM (X) : 3 | |
| ONE-PLACE (X.X) : 1.5 | |
| TWO-PLACE (X.XX) : 0.50 | |
| ANGLE : 1° | |
| REFER TO ES0018 FOR FASTENER TIGHTENING GUIDELINES | WEIGHT: (LBS) FIRST USED: 18 170A |
| WIRING INSTL-BODY, 12V | |
| SHEET: 1 OF 4 | ITEM/PART NO.: 000123660 / 32387301000 |
| REF: | 1 19-Oct-2018 |



REFRIGERATOR
12V CONNECTION
PLATE (REF)

DETAIL BA



DETAIL BB

PANEL ASM-SWITCH,2POS,BED
000122606 / 323349-01-CHT

LIGHT-TAPE, LED
187693-11-CHT

WIRE ASM-OVHD
193716-01-000

RECEPTACLE-12V
132958-01-000
DETAIL CD

TO FURNACE

TO WIRE ASM-
CHASSIS
DETAIL CF

RELAY-AWNING ISOLATION
063912-02-000 (2)
SCREW
0000G67-08-12U (2)

WIRE ASM-COACH
TO RIGHT SIDE

LIGHT-TAPE, LED
187693-22-CHT

SENSOR-TEMP
192038-35-CHT
PLATE-TEMP SENSOR
192254-01-CHT
SCREW
G11-08-08U (2)

LAMP ASM-PORCH
184120-01-CHT
SCREW
G39-06-10U (2)
CONNECTOR
058028-01-000 (2)

SPEAKER
160868-01-CHT (2)
GRILL
160868-02-CHT (2)
SCREW
G11-08-08U (8)

READ-6

USB-CHARGER
188312-01-000
DETAIL CD

STEREO-AM/FM/DVD WALLMOUNT
000131254 / 325732-01-000
SCREW
76790-08-000 (4)
DETAIL BC

MODULE-WIRELESS LIN
000121418 / 323153-01-000
SCREW
000G11-08-08U (4)

USB-CHARGER
188312-01-000
DETAIL CD

TO REFRIGERATOR
DETAIL BA

PLATE-WALL
179004-02-CHT
DETAIL BB

PLATE-WALL,RCA
167733-01-CHT
SCREW
G12-06-08U (2)

LIGHT-TAPE, LED
187693-14-CHT

LPGD

SUBWOOFER
124884-01-000
GRILL
151844-01-CHT
SCREW
G11-08-12U (4)

WIRE ASM-MAIN TANK
151317-02-000

SWITCH-WATER PUMP
108357-21-000
ACTUATOR
108356-23-CHT

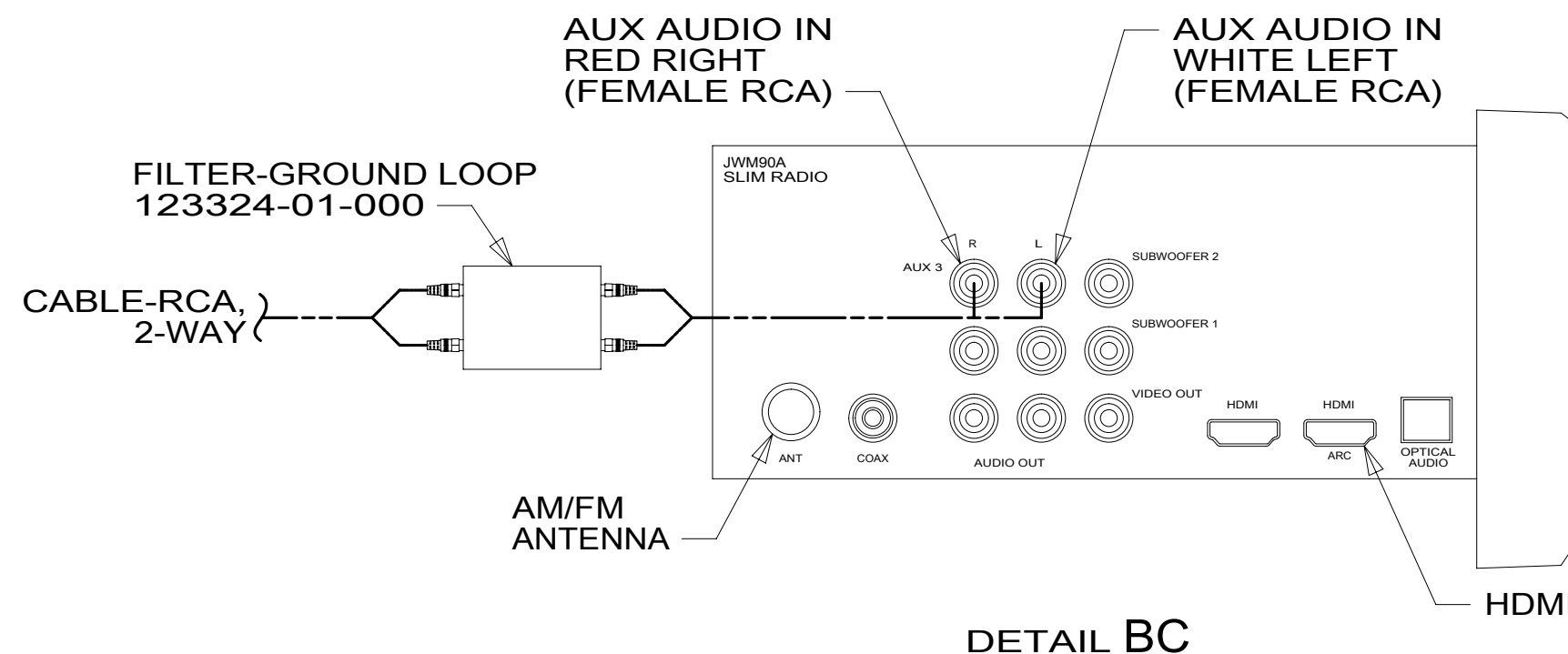
SWITCH-SERVICE LIGHT
108357-01-000
ACTUATOR
108356-01-CHT

COAX (RED)
ADAPTOR-COAX
82134-01-000
NUT
82136-01-000
LABEL
87236-01-000

MODULE-ONE PLACE
000031513 / 316976-01-000
SCREW
G67-10-12U (4)

CONTROL-MASTER,
DISTRIBUTION
000024480 / 315004-01-CHT

STUD-ISOLATED
086233-01-000
SCREW
G67-10-12U (2)
NUT
D39-06-00U
BOOT
77479-02-000
DETAIL CK



DETAIL BC

FOR ELECTRICAL
TORQUE
SPECIFICATIONS
SEE DWG NO.
128783-01-000

FOR ELECTRICAL
CALLOUTS
SEE DWG NO.
121339-01-000

265 CODES/STANDARDS-CSA/CMVSS

1B1 CODES/STANDARDS USA

1B1 265

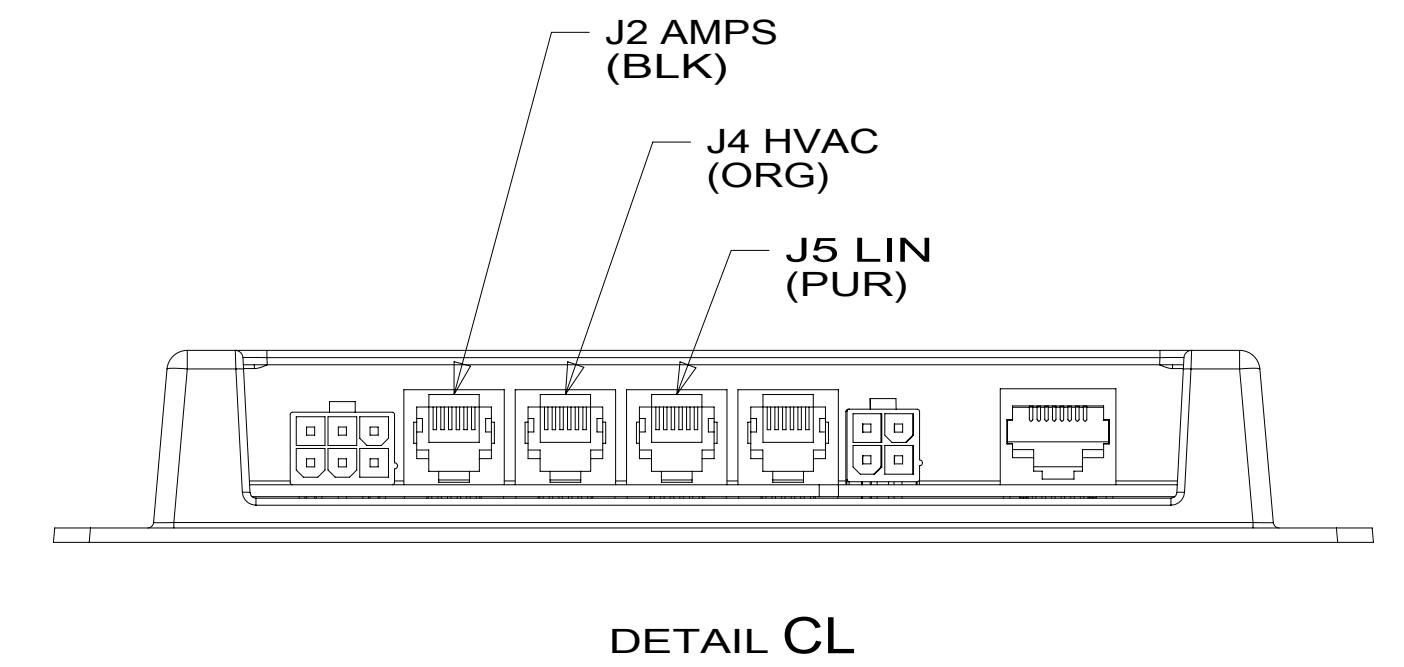
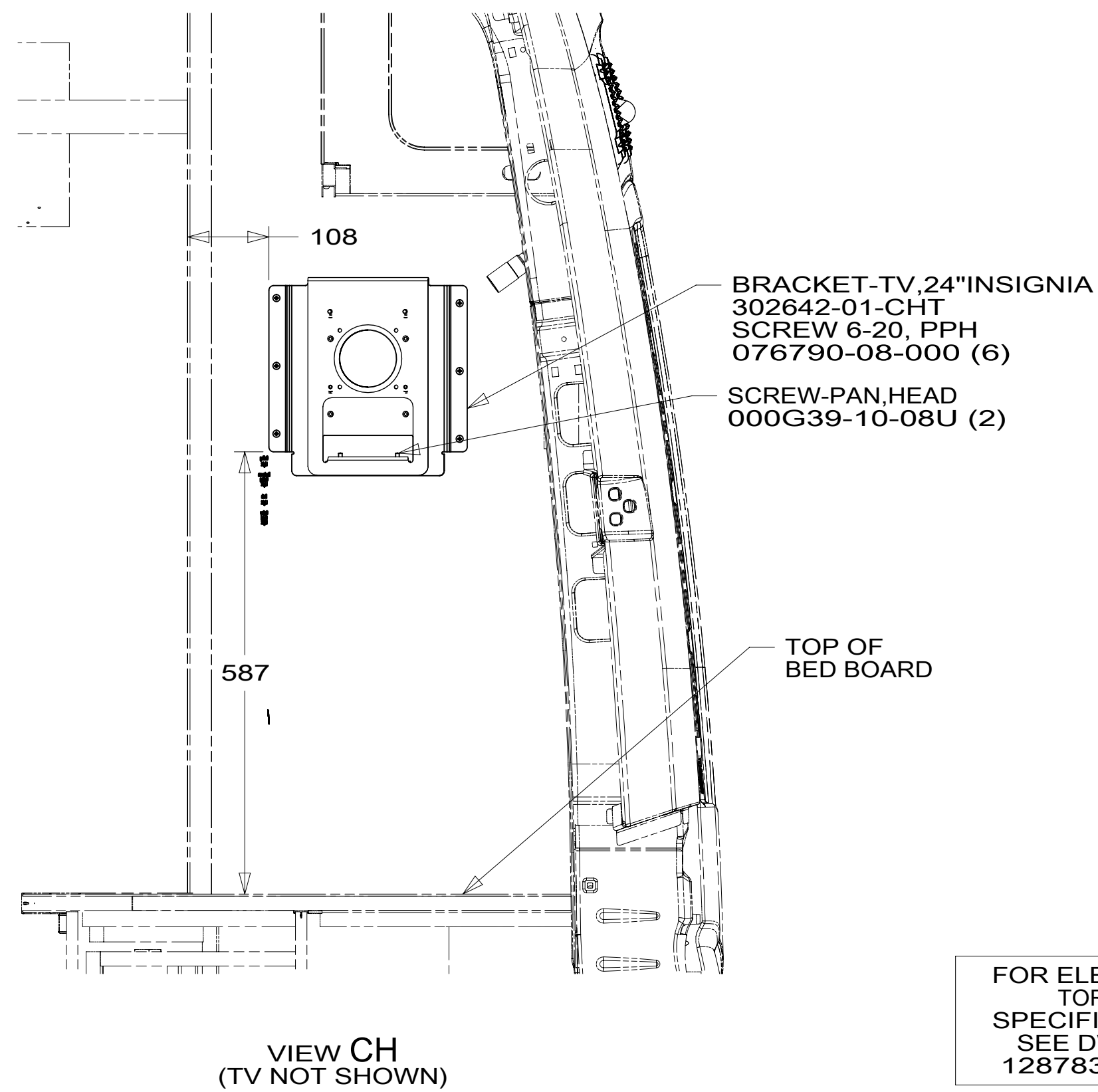
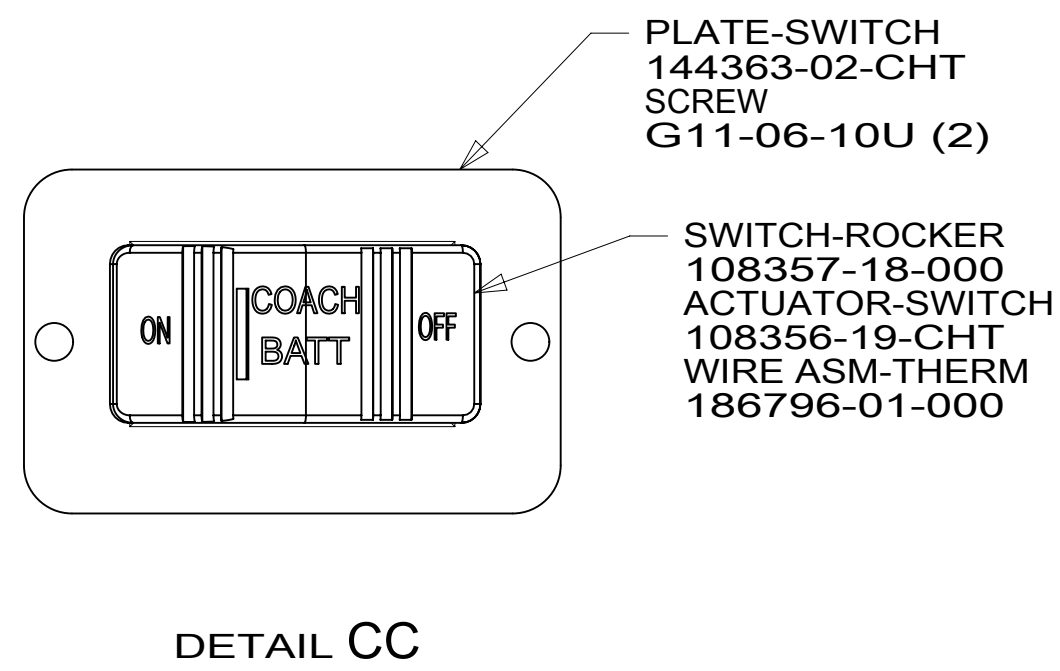
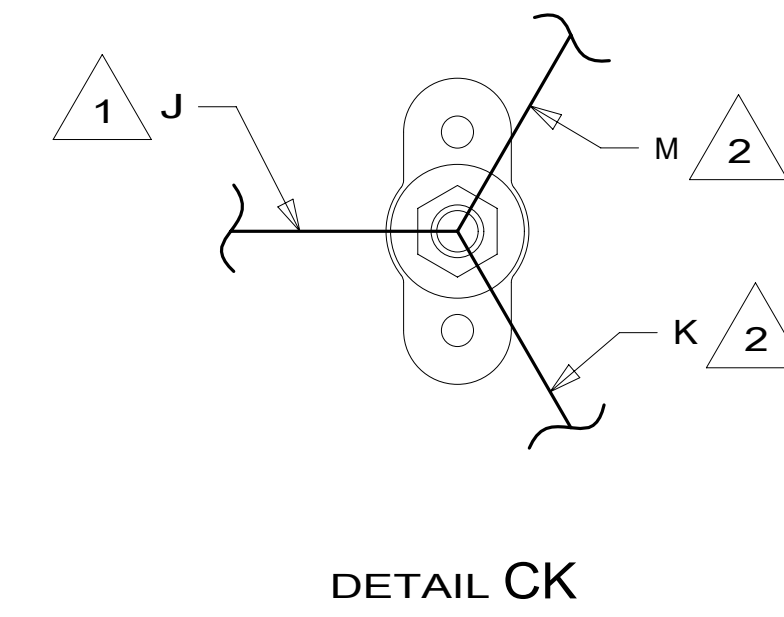
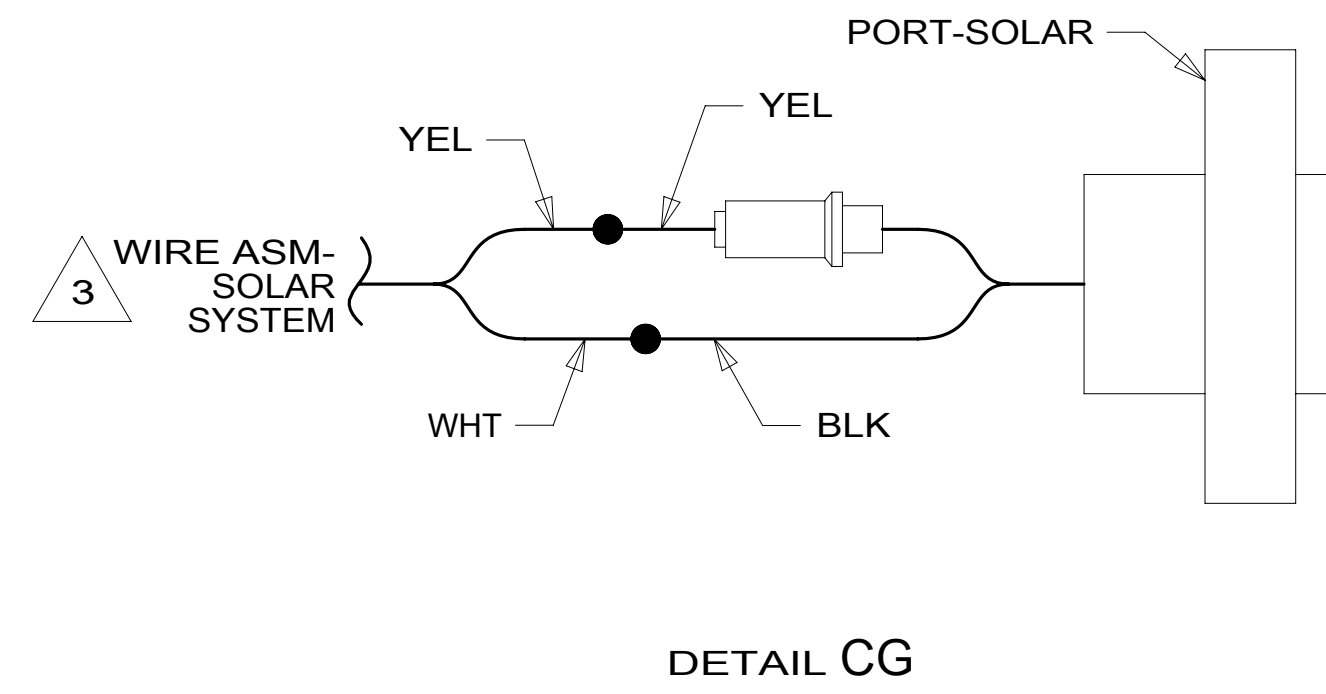
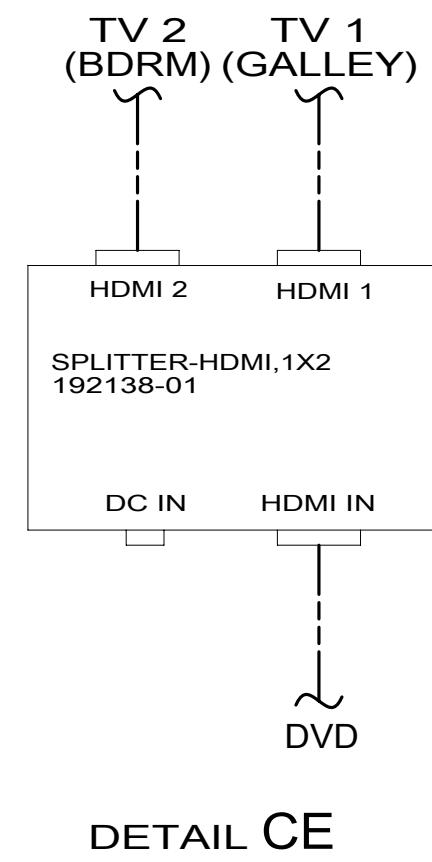
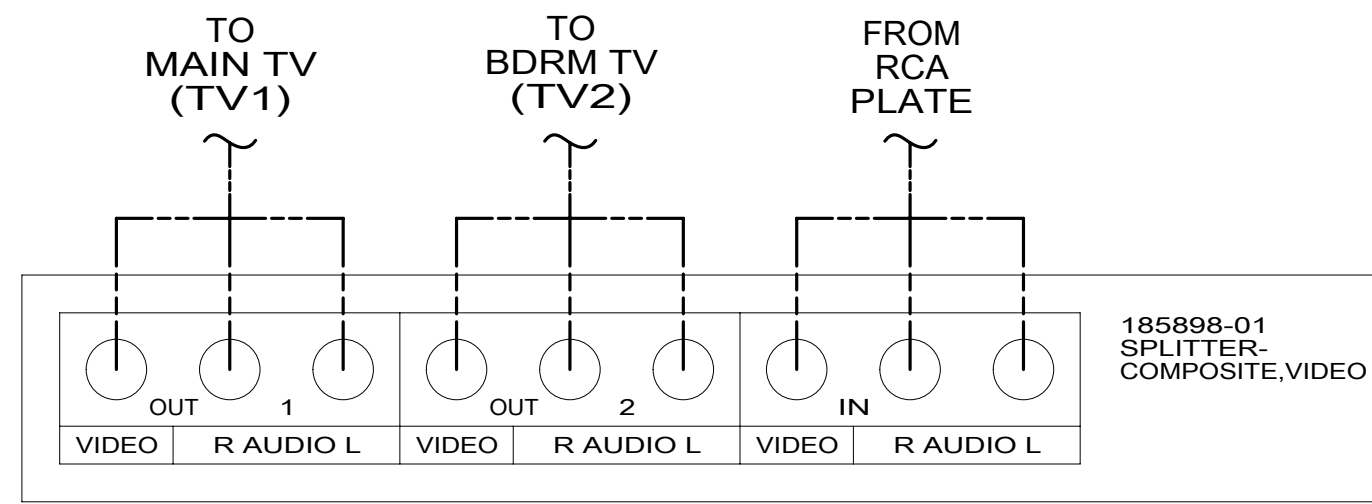
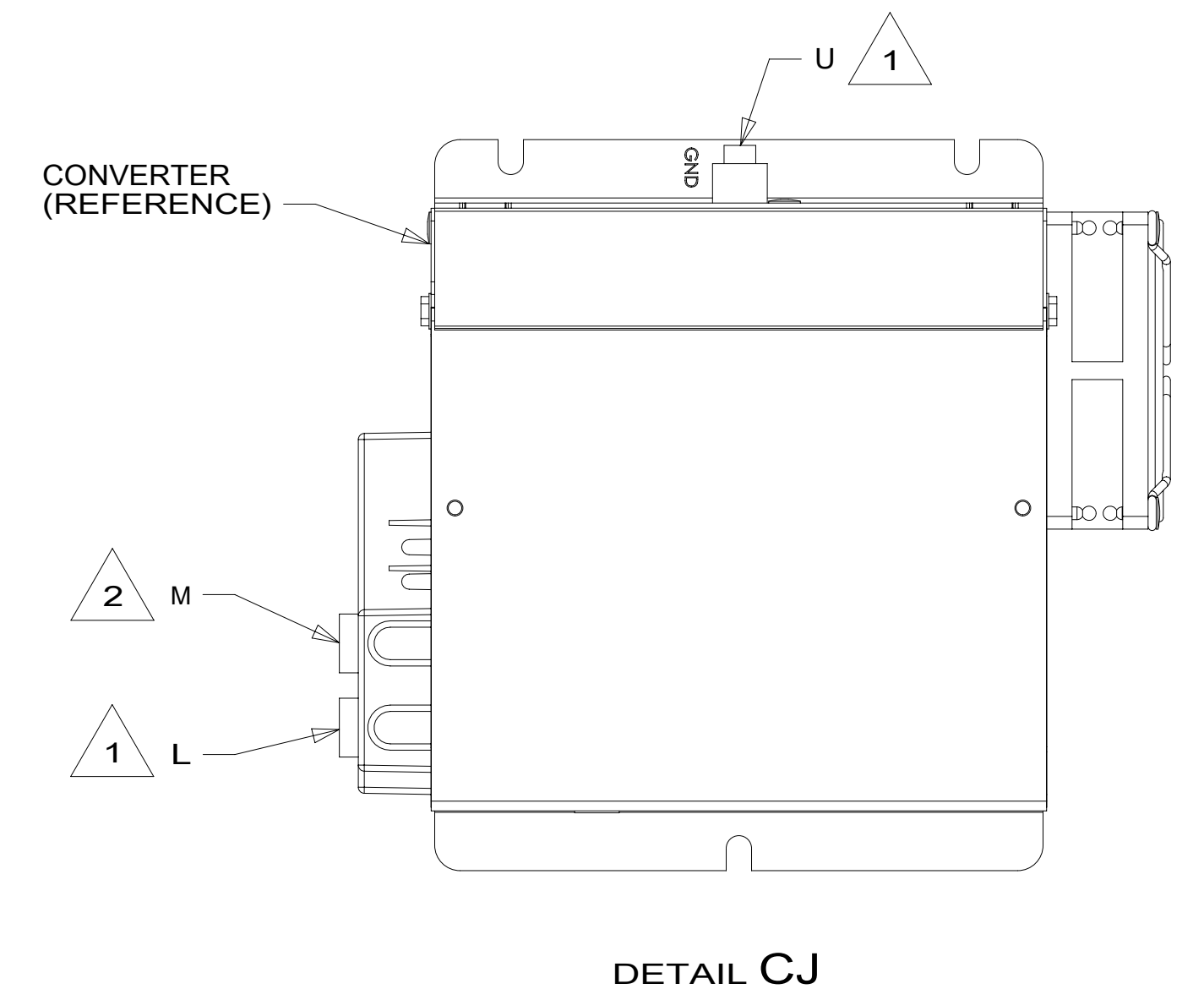
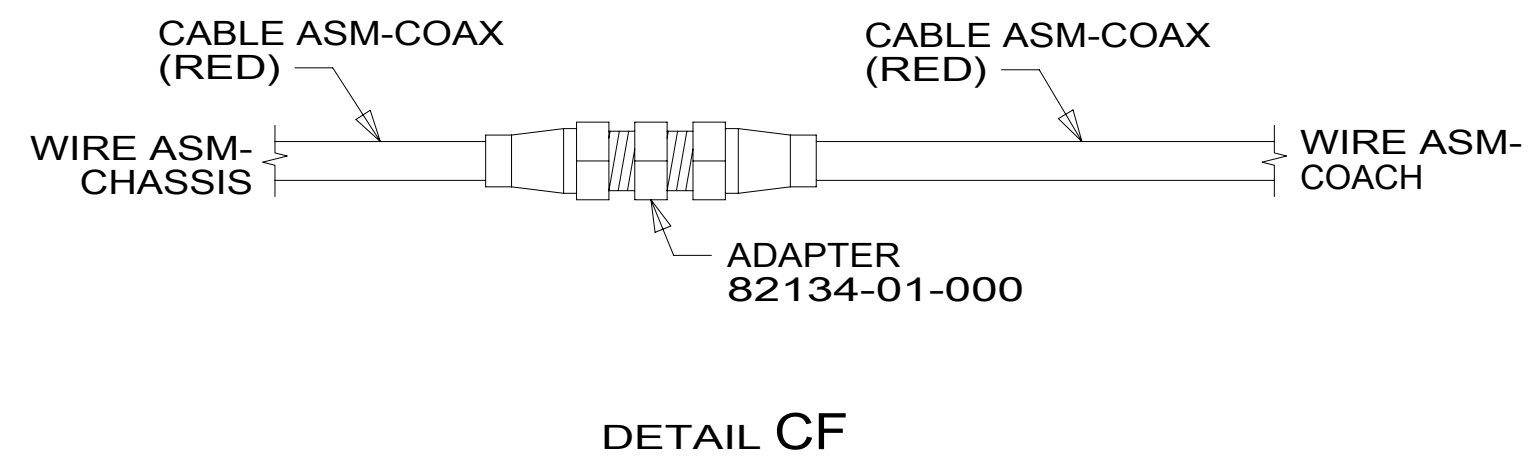
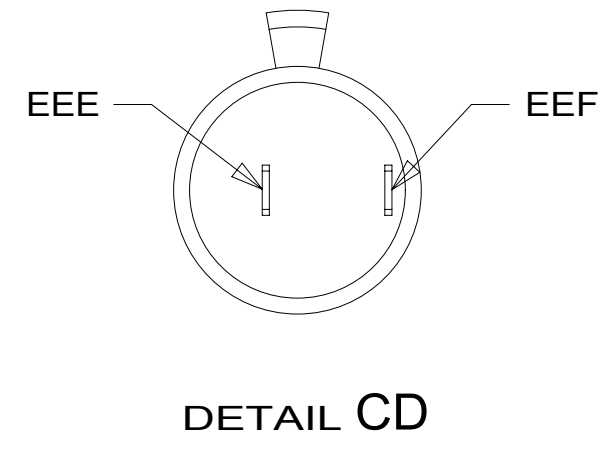
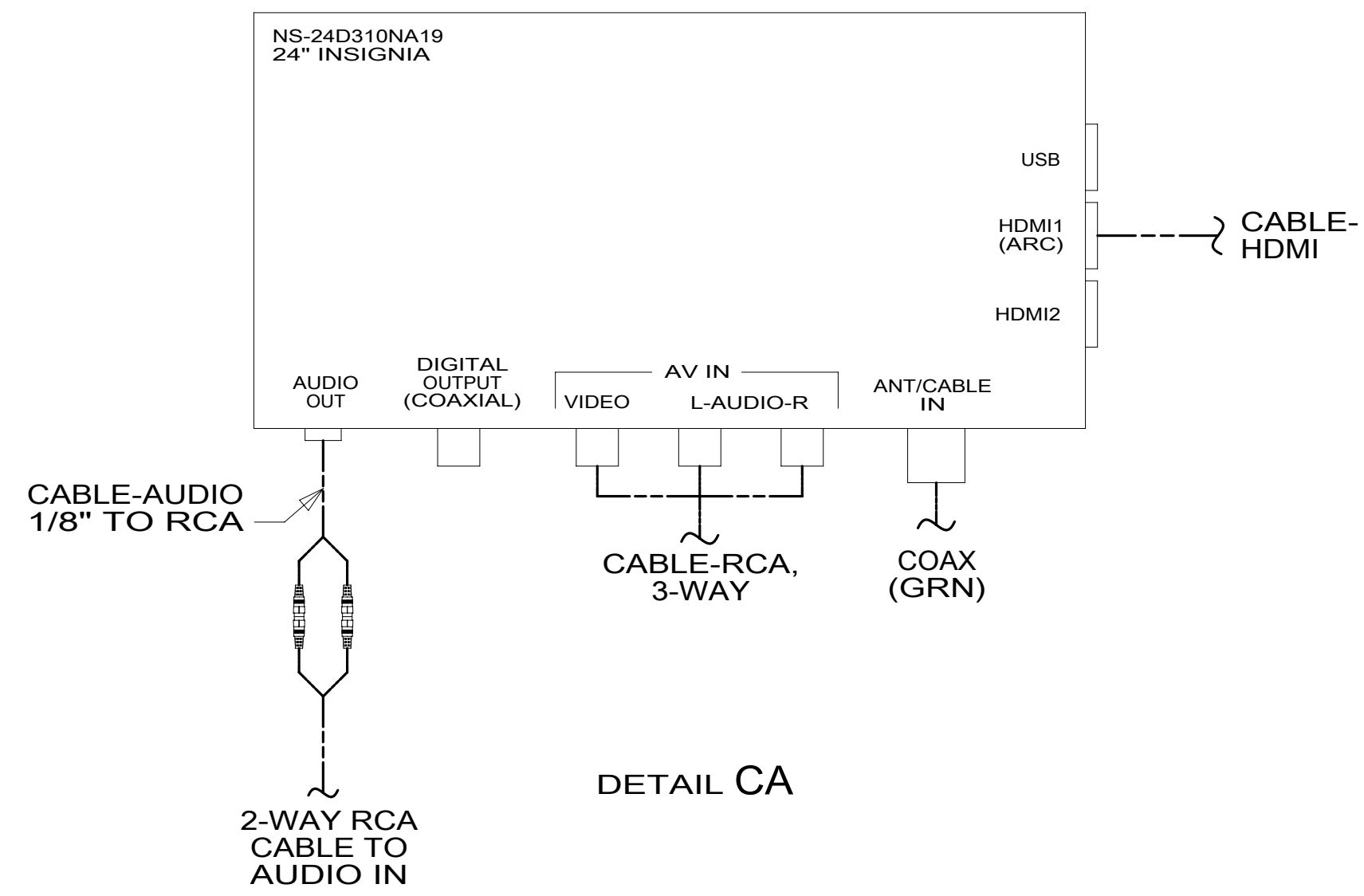
DESCRIPTION:
WIRING INSTL-BODY, 12V

SHEET: 2 OF 4 ITEM/PART NO: 000123660 / 32387301000 REV

19-Oct-2018

NOTES:

- 5 MOUNT ON EXTERIOR SURFACE OF VAN SIDEWALL.
- 4 COAX IS PART OF WIRE ASM-COACH.
- 3 COVER ALL WIRES AND CABLES WITH CONVOLUTED TUBING. SECURE TO TV BRACKET SO THAT WIRES AND CABLES DO NOT BECOME PINCHED.
- 2 MOUNTED IN EXTERIOR SERVICE CENTER.
- 1. AT MINIMUM ALL WIRES TO BE SUPPORTED AND SECURED PER CODE REQUIREMENTS. USE CLAMP 10495 OR 10497 OR WIRE TIE 8343 OR 108046 AND SCREW G67-XX-XXX OR G56-XX-XXX AS APPROPRIATE FOR INSTALLATION.



- NOTES:
- 3 SEE WIRE ASM-SOLAR SYSTEM AND WIRE ASM-CHASSIS FOR ADDITIONAL INFORMATION.
 - 2 CIRCUIT FROM WIRE ASM-COACH.
 - 1 CIRCUIT FROM WIRE ASM-CHASSIS.

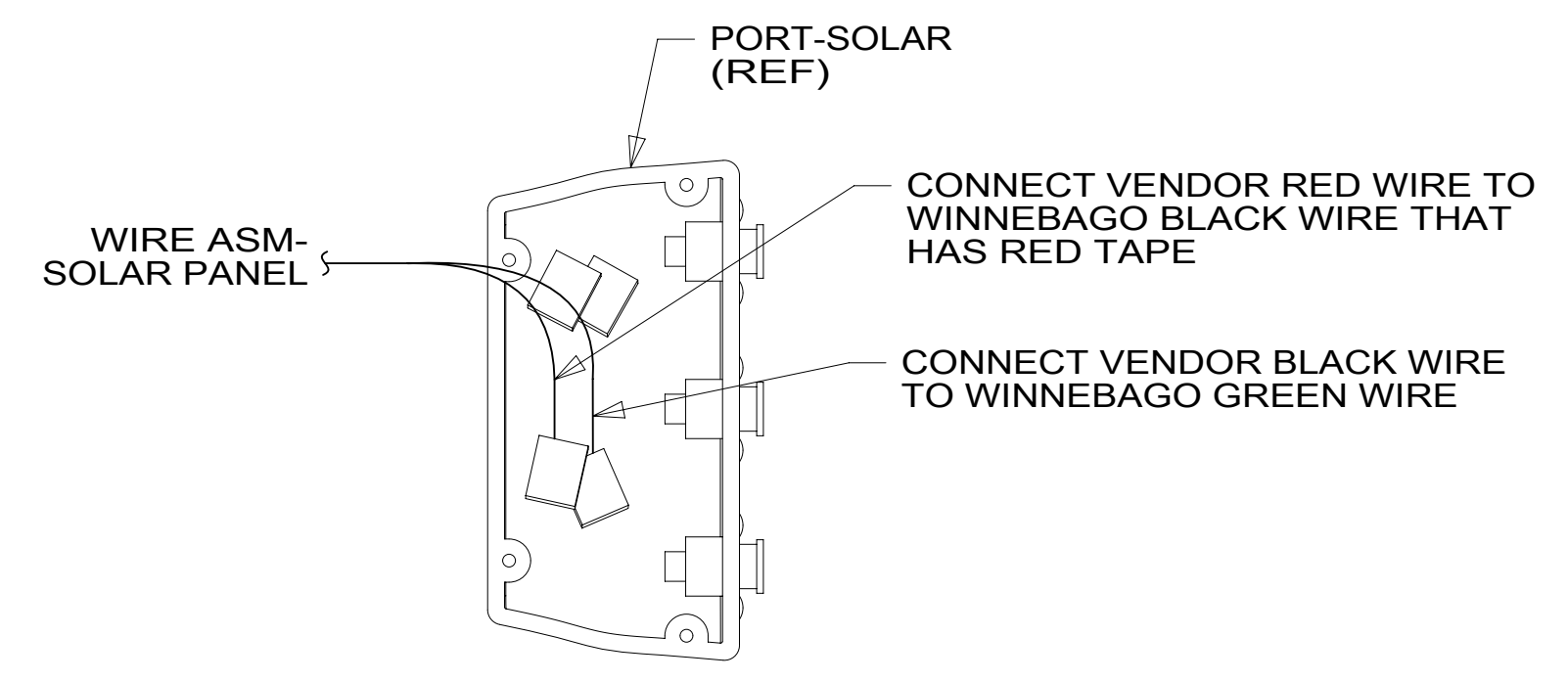
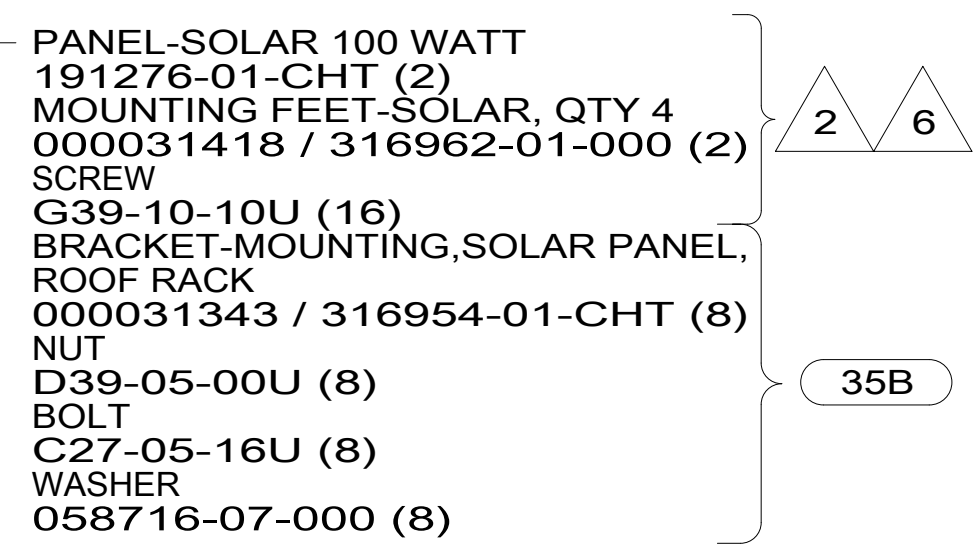
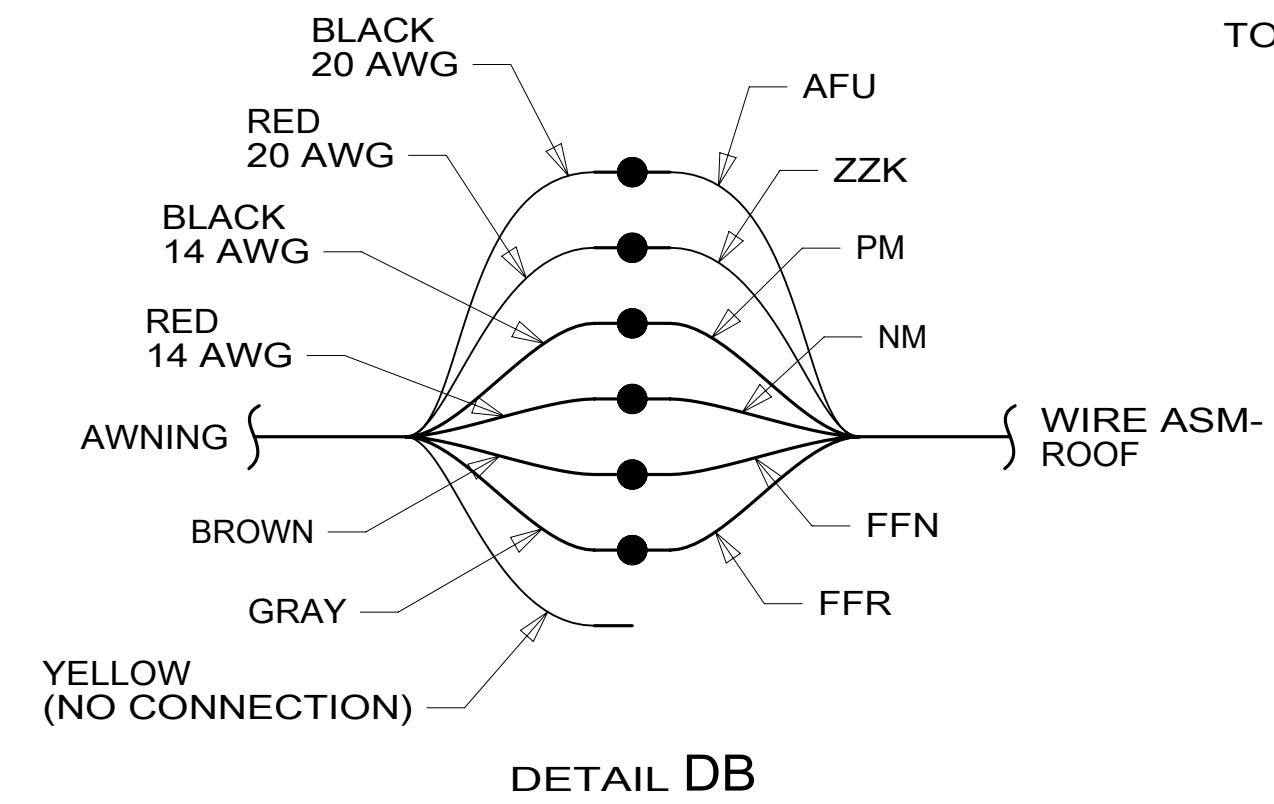
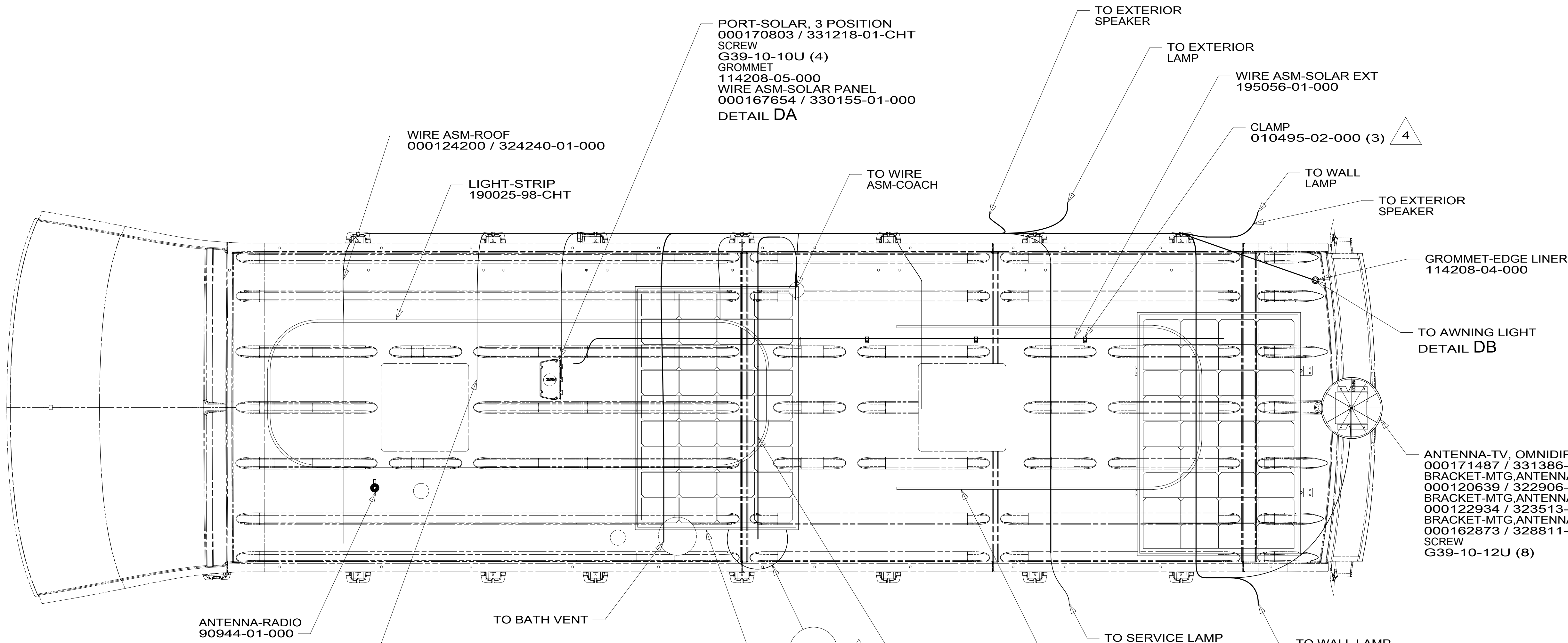
FOR ELECTRICAL TORQUE SPECIFICATIONS SEE DWG NO. 128783-01-000

FOR ELECTRICAL CALLOUTS SEE DWG NO. 121339-01-000

- 265 CODES/STANDARDS-CSA/CMVSS
- 1B1 CODES/STANDARDS USA

| | | |
|-------------------------------|-------------------------|---------|
| DESCRIPTION: | | 1B1 265 |
| WIRING INSTL-BODY, 12V | | |
| SHEET: | ITEM/PART NO.: | REV |
| 3 OF 4 | 000123660 / 32387301000 | |

8 7 6 5 4 3 2 1



- 6 USE NUTS AND BOLTS SUPPLIED WITH MOUNTING FEET TO ATTACH BRACKET TO SOLAR PANEL WITH 35B
- 5 DRILL 19 MM HOLE THROUGH PLUG.
- 4 ATTACH CLAMPS WHEN MOUNTING A/C SUPPORT PANEL. SEE A/C SYSTEM INSTALLATION FOR ADDITIONAL INFORMATION.
- 3 MOUNTED ON INTERIOR SURFACE OF ROOF.
- 2 MOUNTED ON EXTERIOR SURFACE OF ROOF.
1. AT MINIMUM ALL WIRES TO BE SUPPORTED AND SECURED PER CODE REQUIREMENTS. USE CLAMP 10495 OR 10497 OR WIRE TIE 8343 OR 108046 AND SCREW G67-XX-XXX OR G56-XX-XXX AS APPROPRIATE FOR INSTALLATION.

FOR ELECTRICAL TORQUE SPECIFICATIONS SEE DWG NO. 128783-01-000

FOR ELECTRICAL CALLOUTS SEE DWG NO. 121339-01-000

- 8FV MERCEDES CHASSIS UPGRADE PKG
- 19R RADIO/REARVIEW MONITOR SYS
- 35B LUGGAGE RACK
- 153 LG SCREEN-INFO/GPS SIRIUSXM
- 265 CODES/STANDARDS-CSA/CMVSS
- 1B1 CODES/STANDARDS USA

| | |
|-----------------------------------------------|------------------------------------------|
| DESCRIPTION: WIRING INSTL-BODY, 12V | |
| SHEET: 4 OF 4 | ITEM/PART NO: 000123660 / 32387301000 |
| REV 19-Oct-2018 | |

8 7 6 5 4 3 2 1