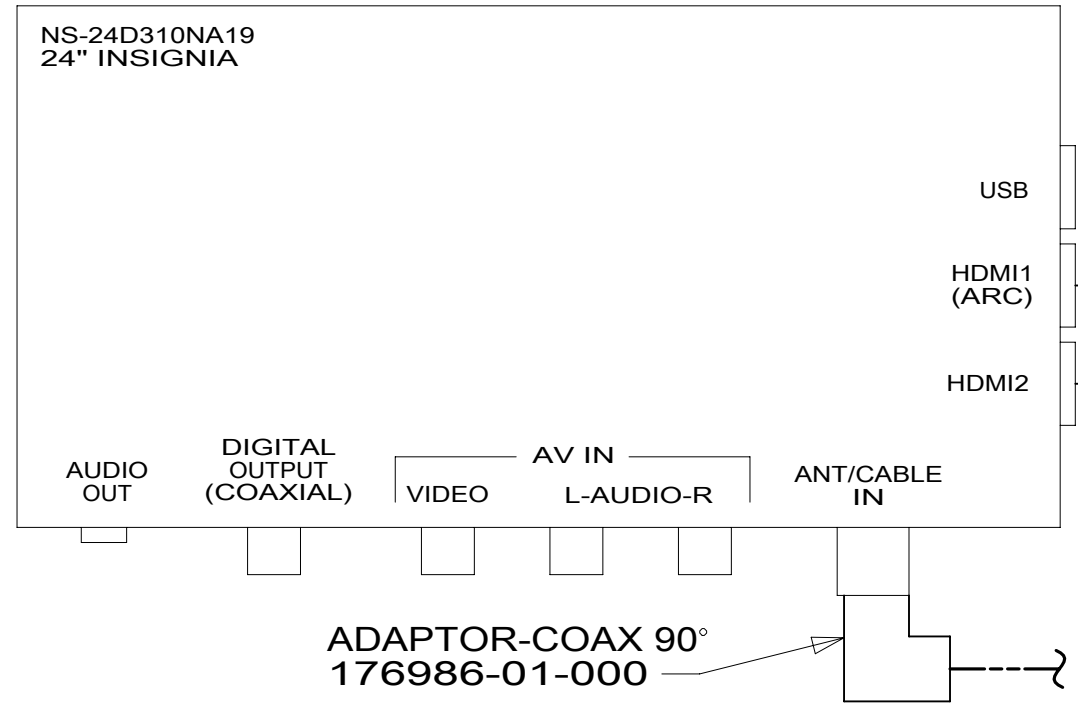


ANGLE-FORMED, W/HOLES
000033039 / 317528-01-CHT
SCREW
000G39-10-20U



DETAIL AD

LIGHT-TAPE,LED
190025-26-CHT
CHANNEL-LIGHT, TAPE
190097-01-CHT

TV-24" HDTV, INSIGNIA
000167921 / 330227-01-000
SCREW
0MG02U-04-012 (4)
WASHER
0ME02U-04-071 (4)
BRACKET-TV SWING MOUNT
179241-01-CHT
TIE-WIRE,MOUNT ADHESIVE 1"
155366-01-000
TIE-WIRE 7.5IN BLACK
008343-03-000
DETAIL AD

PANEL-CP PLUS,US
192038-32-CHT
SCREW
G11-08-08U (4)

PANEL ASM-SWITCH,2POS,MURPHY BED
000122551 / 323351-01-CHT

PANEL ASM-SWITCH,6POS,ENTRY
000122554 / 323354-01-CHT

LIGHT-TAPE, LED
187693-22-CHT

JG,JN
TO STOVE TOP
JN
TO STOVE GROUND

PANEL ASM-SWITCH,2POS,AWNING
000112434 / 323395-01-CHT

SWITCH
DETAIL CD

WIRE ASM-
WATER TANK
151317-06-000

CROSSOVER BOX
150140-01-000
CROSSOVER COIL
150140-02-000
CLAMP
10497-02-000
SCREW
G11-08-08U (4)
SCREW
G67-10-12U

CLAMP-CLOSED
10497-02-000

RELAY-AWNING
LOCKOUT
063912-02-000
SCREW
G11-08-12U

RECEPTACLE-12V
132958-01-000
DETAIL AB

PLATE-WALL,
POWER SUPPLY
179004-02-CHT
DETAIL BB

GROMMET-EDGE LINER
114208-01-000

PLATE-WALL,KEYSTONE
175530-04-CHT

SENSOR-TEMPERATURE,PRECISION PLEX
000128133 / 324905-01-000
SCREW
G13-08-10-U (2)

SENSOR-ROOM TEMPERATURE
192038-35-CHT
PLATE-TEMP SENSOR
192254-01-CHT
SCREW
G11-08-08U (2)

TO WIRE ASM-ROOF
WIRE ASM-CEILING

SPLITTER
086756-01-000
DETAIL AA

LAMP ASM-PORCH
184120-01-CHT
SCREW
G39-06-10U (2)
CONNECTOR
058028-01-000 (2)

TO MAKEUP LIGHTS

SPEAKER
171547-01-CHT (2)
SCREW
G39-10-12U (8)

PANEL ASM-SWITCH,4POS,BATH
000122553 / 323353-01-CHT

PORT-SOLAR,SINGLE,FUSED
000169763 / 330845-01-000
SCREW
G39-10-16U (4)
DETAIL CC

OUTLET-COAX/
12V EXTERIOR
168516-01-CHT
SCREW
G39-08-16U (2)
DETAIL AB

WIRE ASM-COACH
000121789 / 32310901000

LPGD

SUBWOOFER
124884-01-000
GRILL
151844-01-CHT
SCREW
G11-08-12U (4)

PLACE THE EXTERIOR
SOLAR PANEL PORT
FUSE HOLDER HERE

GROMMET
016188-10-000

FOR ELECTRICAL
TORQUE
SPECIFICATIONS
SEE DWG NO.
128783-01-000

X-X

FOR ELECTRICAL
CALLOUTS
SEE DWG NO.
121339-01-000

265 CODES/STANDARDS-CSA/CMVSS
1B1 CODES/STANDARDS USA

1B1 265



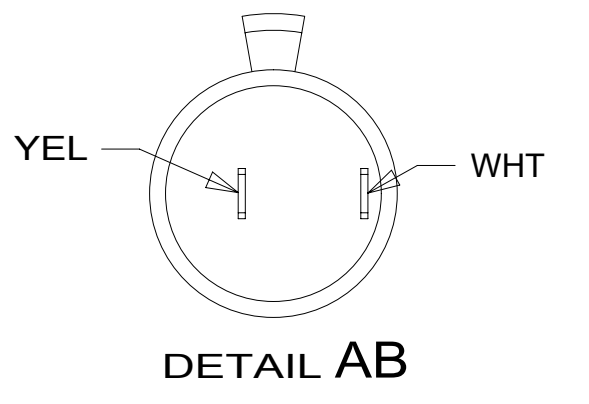
DSNR:		ALL DIMENSIONS ARE IN MILLIMETERS	
DIFFR:		MATERIAL:	
UNSPECIFIED TOLERANCES:			
WHOLE DIM (X)	: 3		
ONE-PLACE (X.X)	: 1.5		
TWO-PLACE (X.XX)	: 0.50		
ANGLE	: 1°		
REFER TO ES0018 FOR FASTENER TIGHTENING GUIDELINES		WEIGHT: (LBS)	FIRST USED:
			18 170M
DESCRIPTION: WIRING INSTL-BODY, 12V			
SHEET:	ITEM/PART NO:	REV	
1 OF 4	000121782 / 32310501000		

- 6 PART OF THE WIRE ASM-SOLAR PANEL.
- 5 CUT TO LENGTH NEEDED TO FIT POCKET IN TRIM.
- 4 MOUNT ON EXTERIOR SURFACE OF VAN SIDEWALL.
- 3 PLACE CROSS LOCATOR ON SENSORS OVER DIMPLES ON TANK.

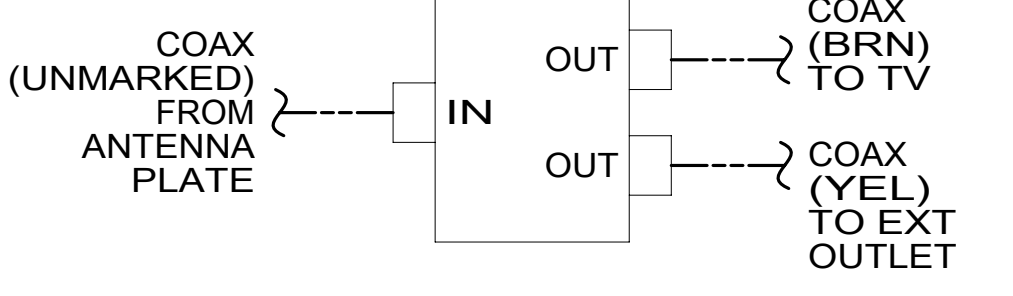
2. ROUTE TANK SENSOR WIRES SO THEY DO NOT PASSOVER SENSORS. USE WIRE TIE MOUNT 155366-01-000 AND WIRE TIE 8343-01-000 AS NEEDED. TANK SURFACE MUST BE CLEANED USING ISOPROPYL ALCOHOL AND PRIMED WITH PRIMER 94.

1. AT MINIMUM ALL WIRES TO BE SUPPORTED AND SECURED PER CODE REQUIREMENTS. USE CLAMP 10495 OR 10497 OR WIRE TIE 8343 OR 108046 AND SCREW G67-XX-XXX OR G56-XX-XXX AS APPROPRIATE FOR INSTALLATION.

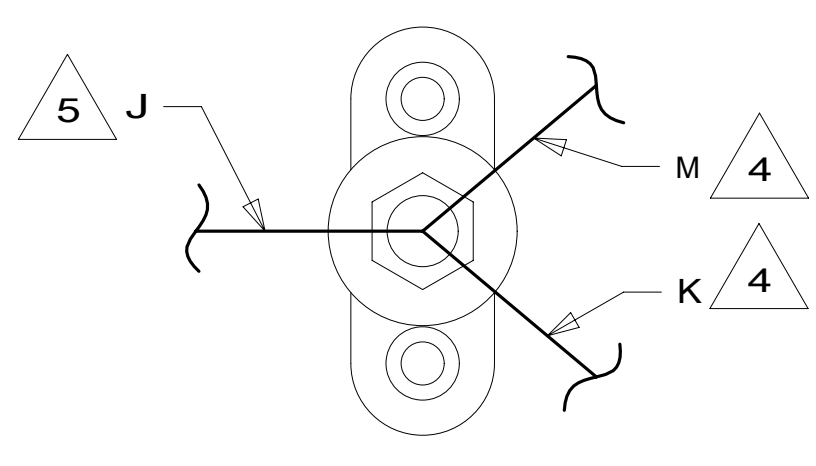
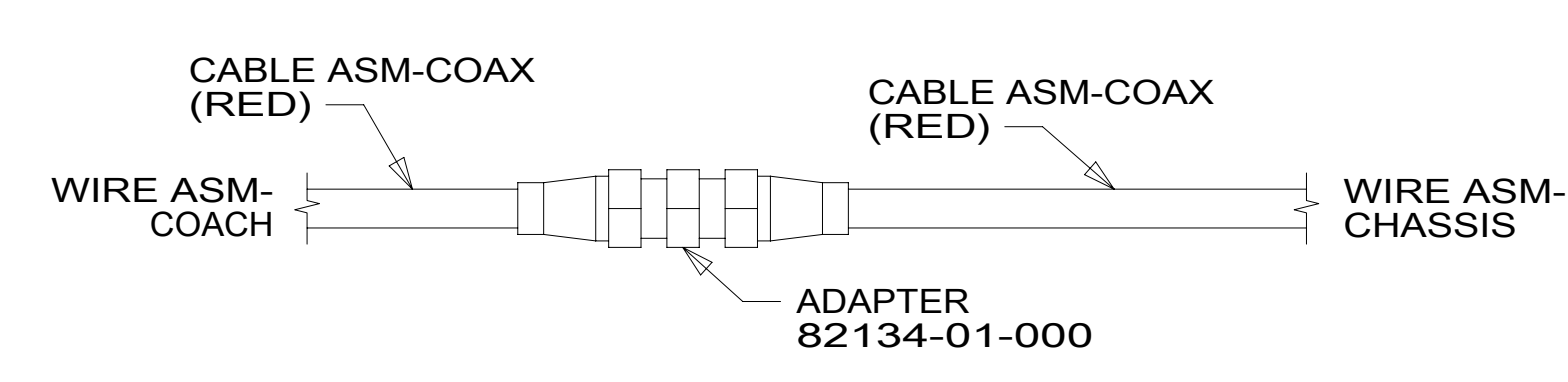
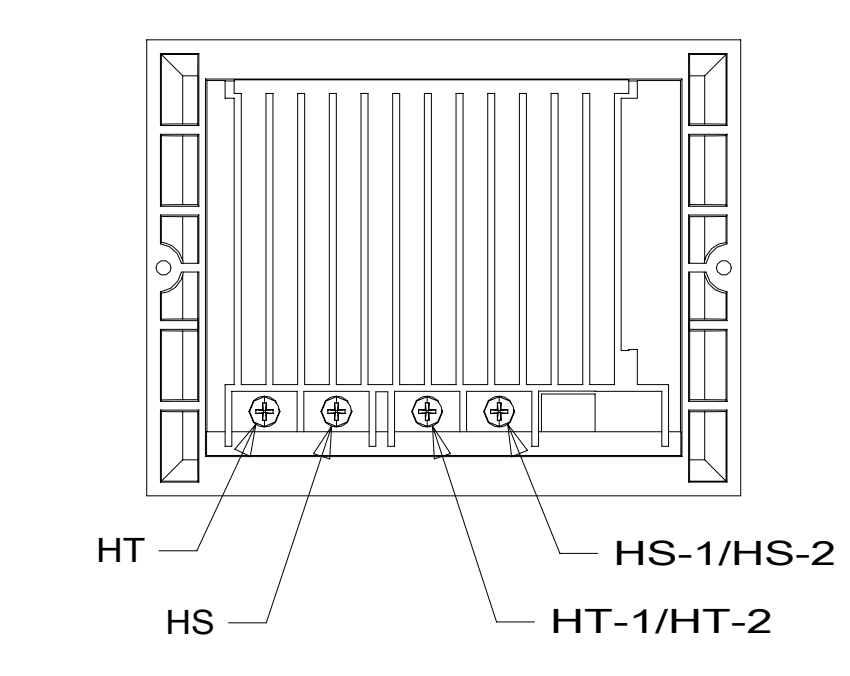
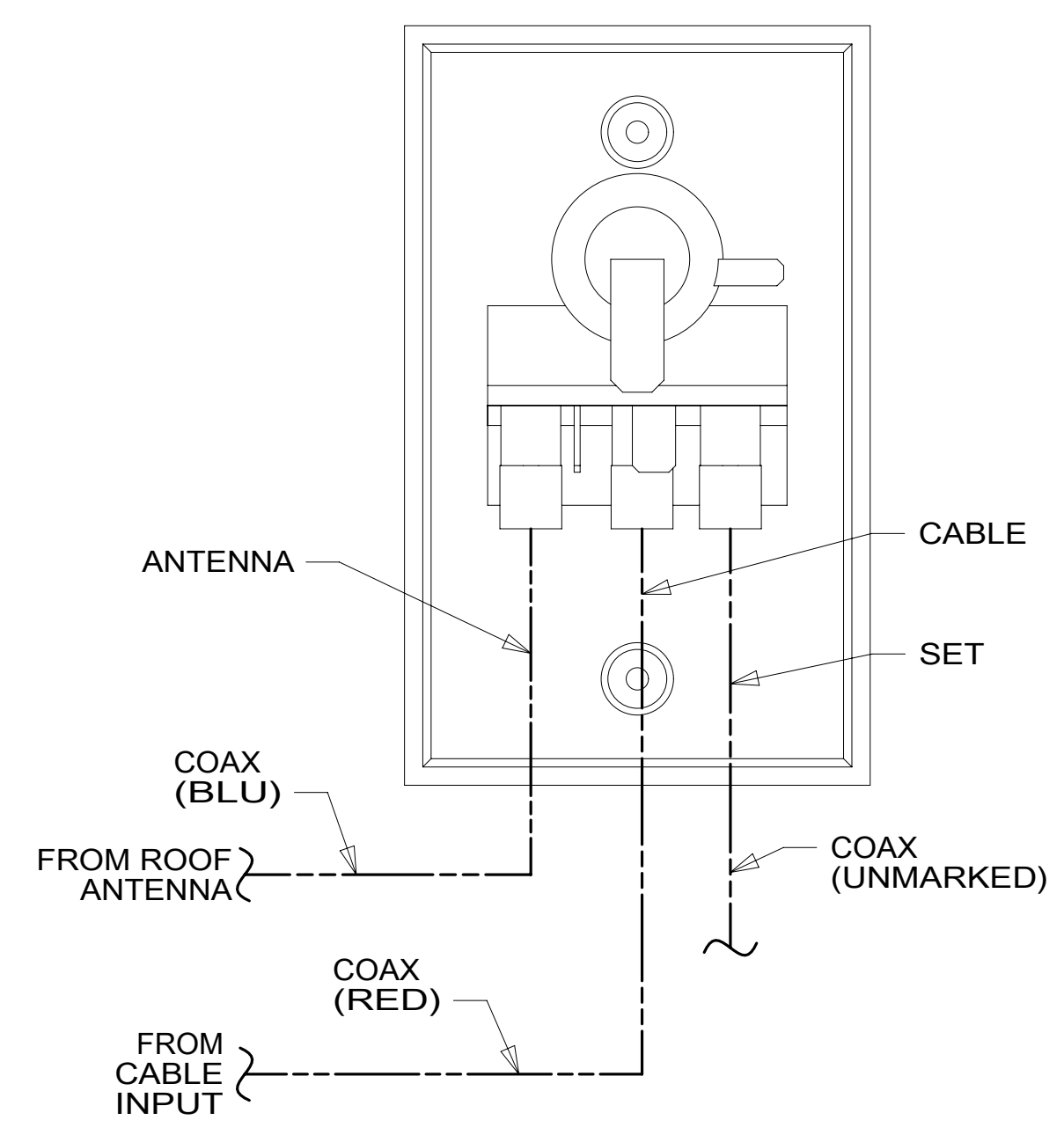
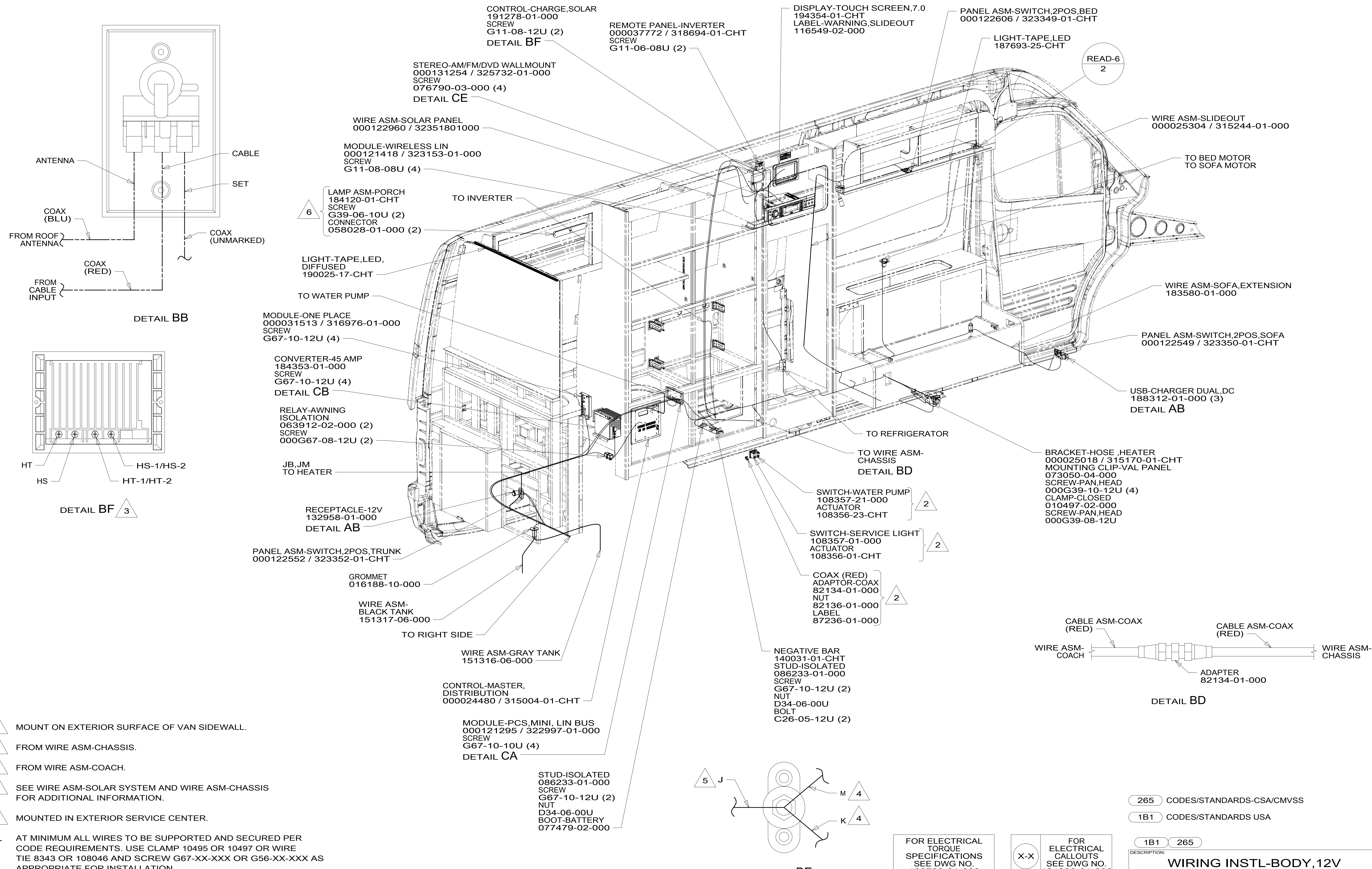
NOTES:



DETAIL AB



DETAIL AA



- 6 MOUNT ON EXTERIOR SURFACE OF VAN SIDEWALL.
- 5 FROM WIRE ASM-CHASSIS.
- 4 FROM WIRE ASM-COACH.
- 3 SEE WIRE ASM-SOLAR SYSTEM AND WIRE ASM-CHASSIS FOR ADDITIONAL INFORMATION.
- 2 MOUNTED IN EXTERIOR SERVICE CENTER.

1. AT MINIMUM ALL WIRES TO BE SUPPORTED AND SECURED PER CODE REQUIREMENTS. USE CLAMP 10495 OR 10497 OR WIRE TIE 8343 OR 108046 AND SCREW G67-XX-XXX OR G56-XX-XXX AS APPROPRIATE FOR INSTALLATION.

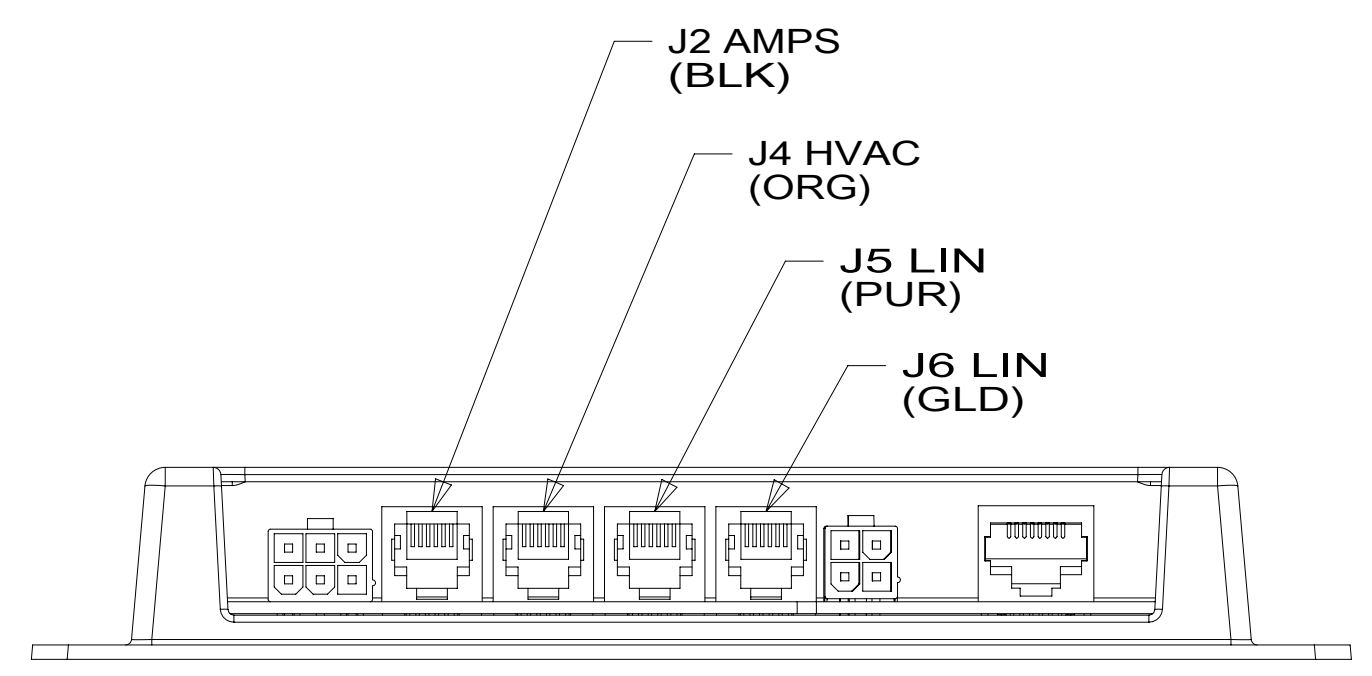
NOTES:

FOR ELECTRICAL TORQUE SPECIFICATIONS SEE DWG NO. 128783-01-000

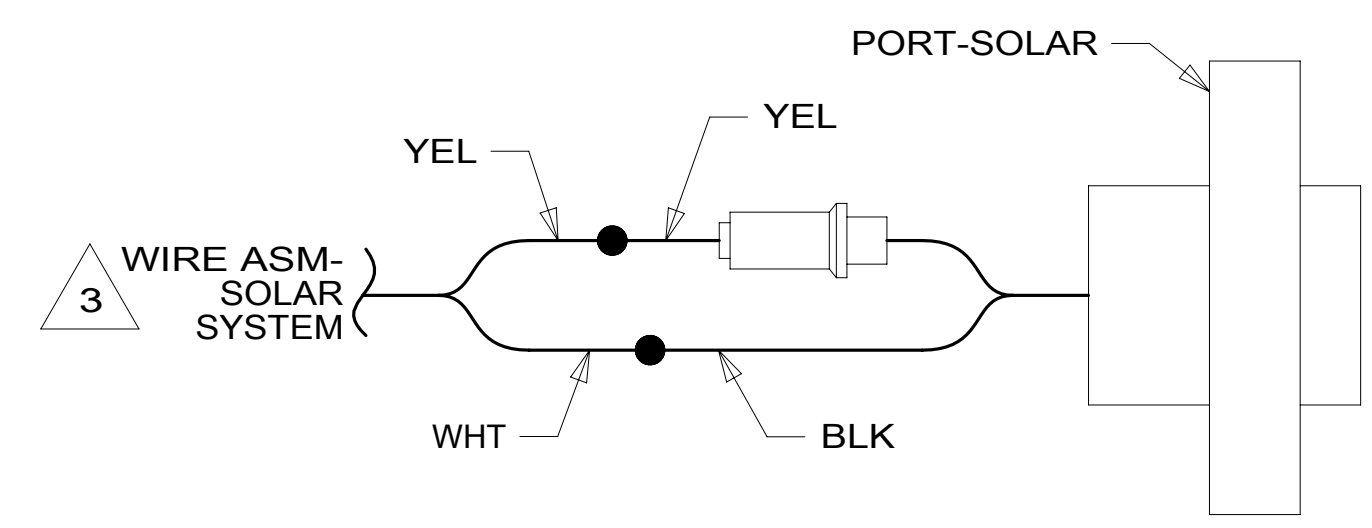
FOR ELECTRICAL CALLOUTS SEE DWG NO. 121339-01-000

265 CODES/STANDARDS-CSA/CMVSS
1B1 CODES/STANDARDS USA

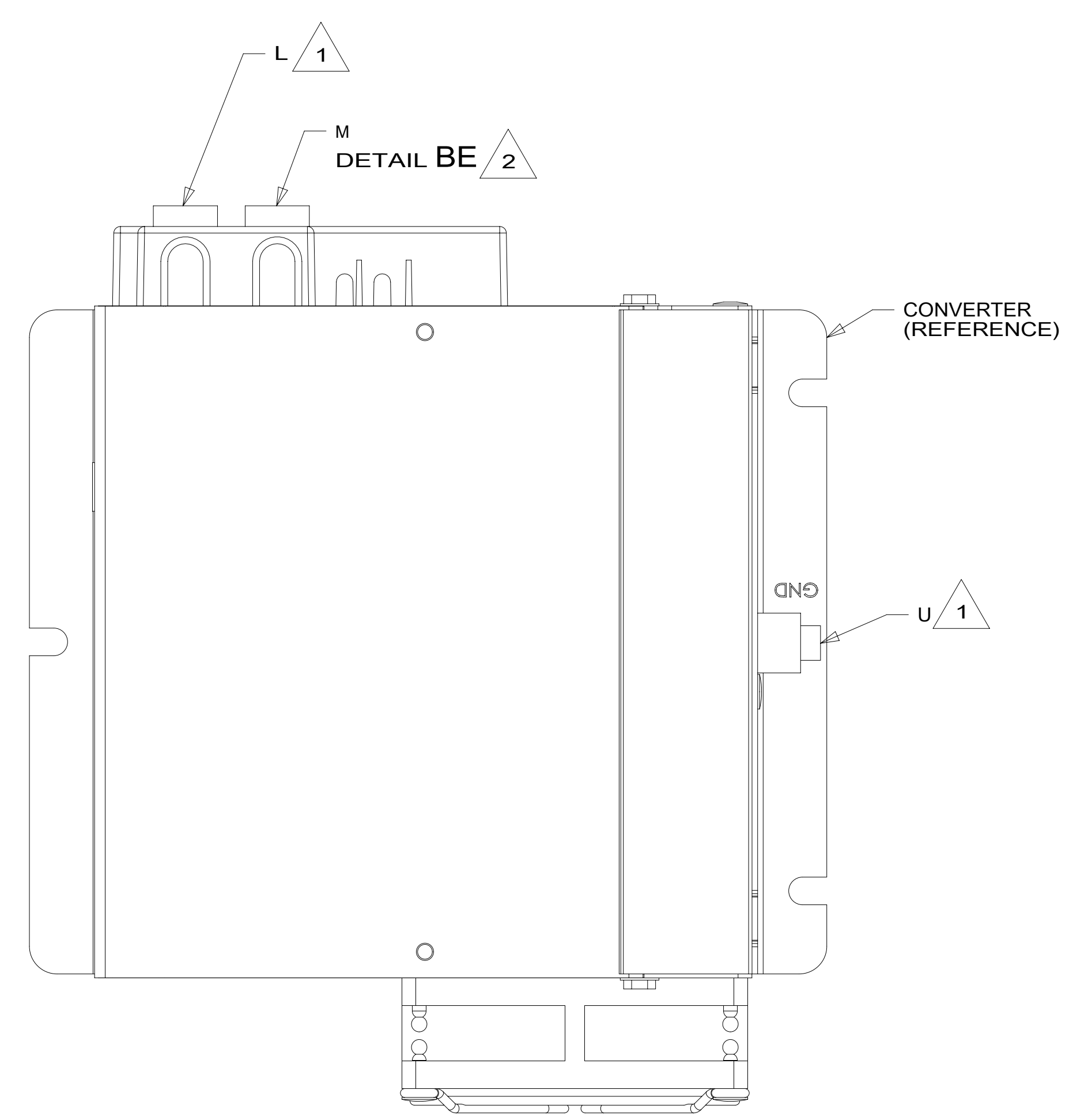
DESCRIPTION:		1B1 265	
WIRING INSTL-BODY, 12V			
SHEET:	ITEM/PART NO.:	REV	
2 OF 4	000121782 / 32310501000		



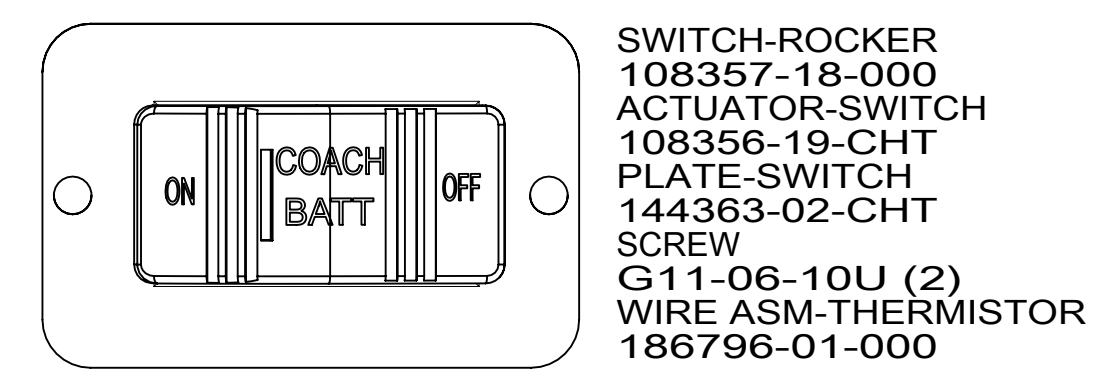
DETAIL CA



DETAIL CC

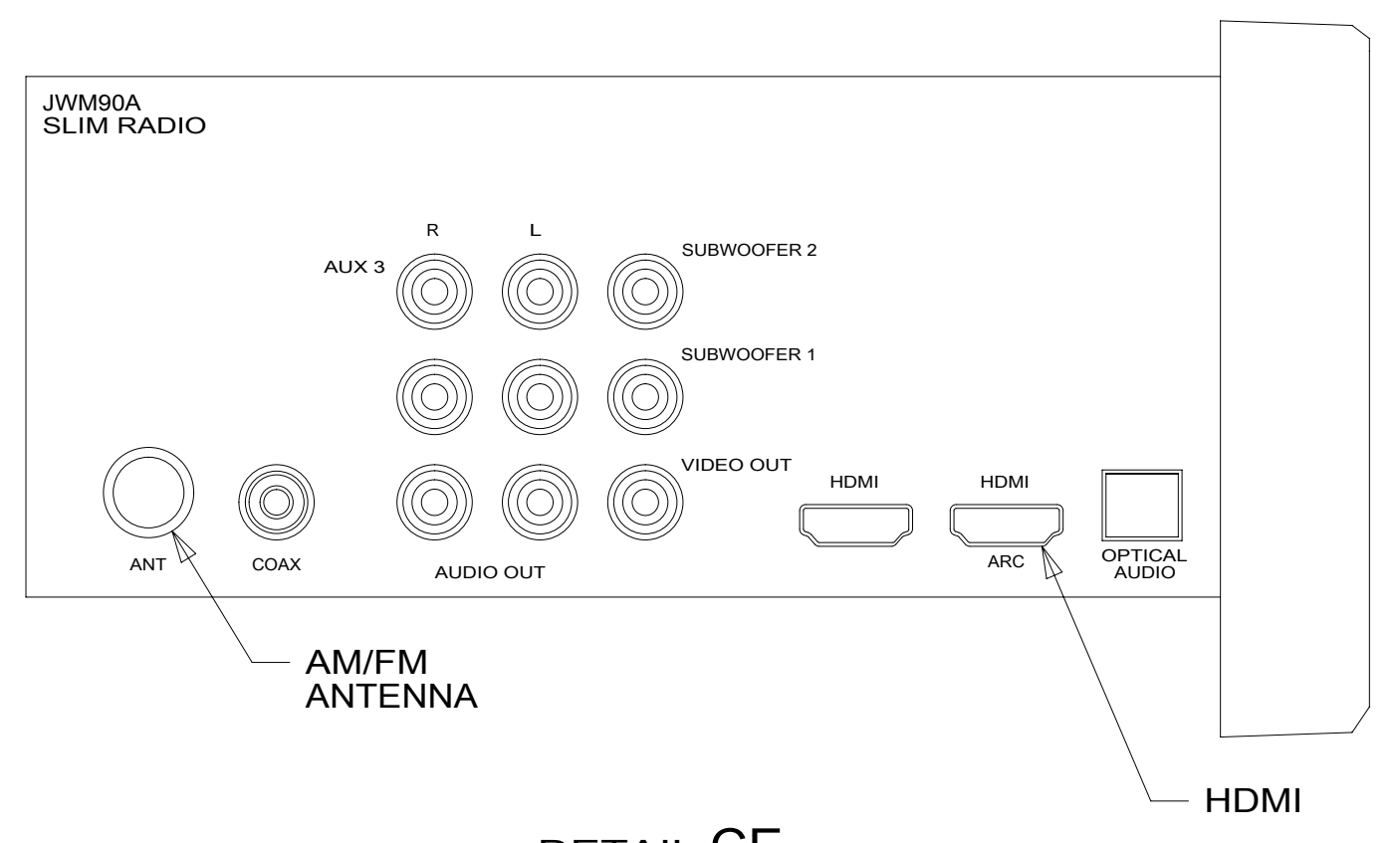


DETAIL CB



DETAIL CD (FRONT SIDE)

- SWITCH-ROCKER 108357-18-000
- ACTUATOR-SWITCH 108356-19-CHT
- PLATE-SWITCH 144363-02-CHT
- SCREW G11-06-10U (2)
- WIRE ASM-THERMISTOR 186796-01-000



DETAIL CE

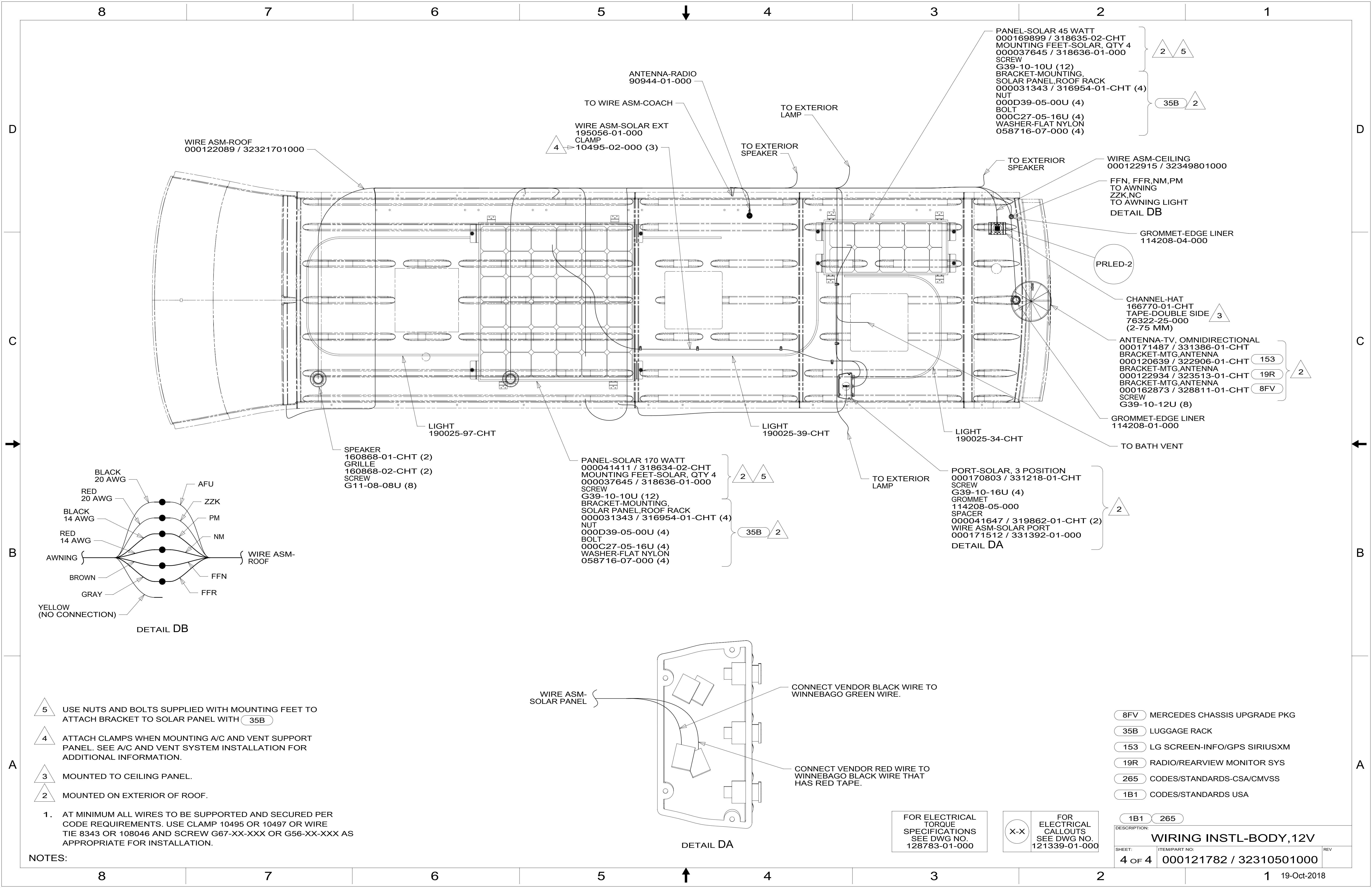
- NOTES:
- 3 SEE WIRE ASM-SOLAR SYSTEM AND WIRE ASM-CHASSIS FOR ADDITIONAL INFORMATION.
 - 2 CIRCUIT FROM WIRE ASM-COACH.
 - 1 CIRCUIT FROM WIRE ASM-CHASSIS

FOR ELECTRICAL TORQUE SPECIFICATIONS SEE DWG NO. 128783-01-000

FOR ELECTRICAL CALLOUTS SEE DWG NO. 121339-01-000

- 265 CODES/STANDARDS-CSA/CMVSS
- 1B1 CODES/STANDARDS USA

DESCRIPTION:		1B1 265	
WIRING INSTL-BODY, 12V			
SHEET:	ITEM/PART NO.:	REV	
3 OF 4	000121782 / 32310501000		



8 7 6 5 4 3 2 1

D

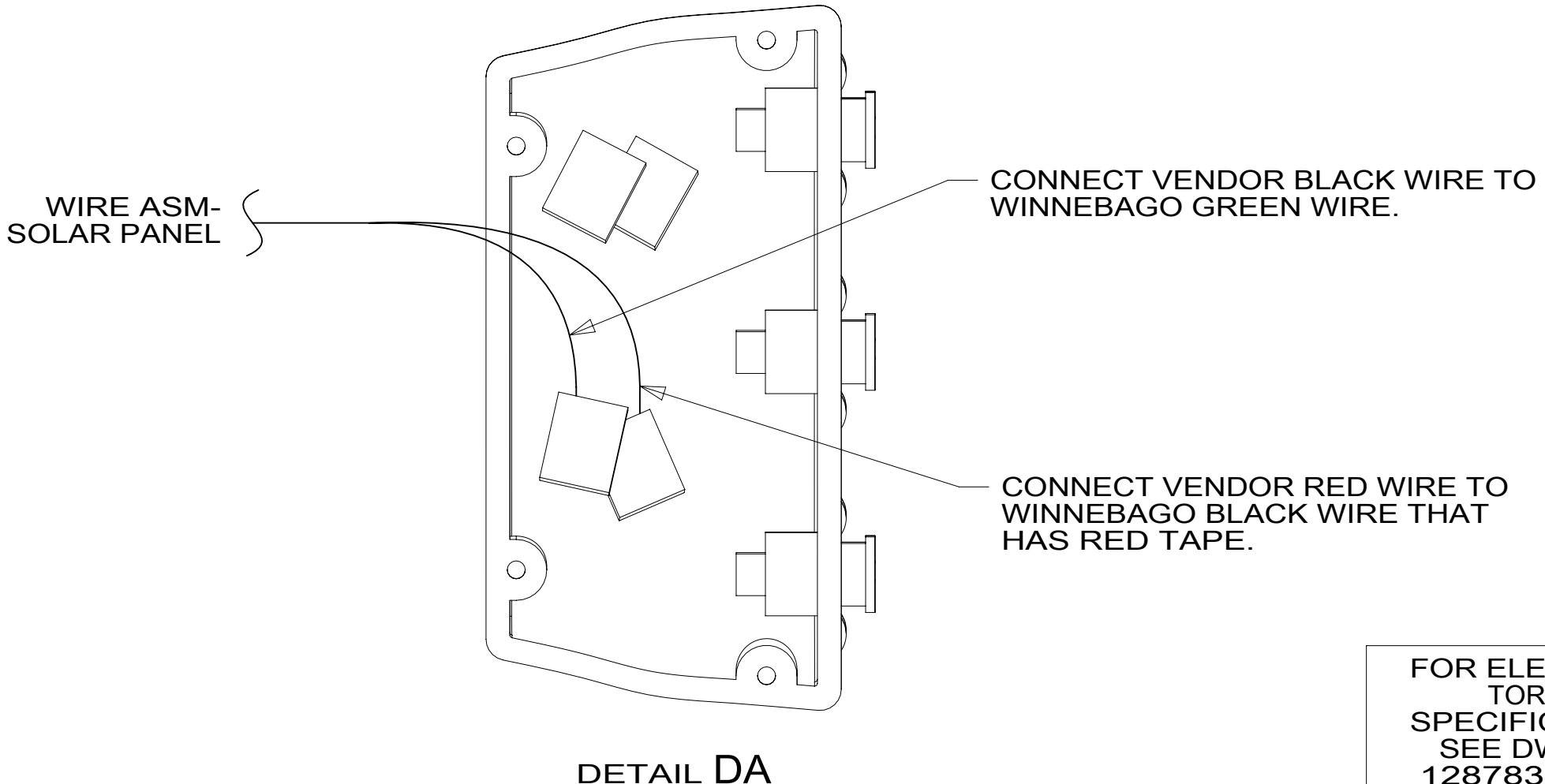
C

B

A

NOTES:

- 5 USE NUTS AND BOLTS SUPPLIED WITH MOUNTING FEET TO ATTACH BRACKET TO SOLAR PANEL WITH 35B
- 4 ATTACH CLAMPS WHEN MOUNTING A/C AND VENT SUPPORT PANEL. SEE A/C AND VENT SYSTEM INSTALLATION FOR ADDITIONAL INFORMATION.
- 3 MOUNTED TO CEILING PANEL.
- 2 MOUNTED ON EXTERIOR OF ROOF.
- 1. AT MINIMUM ALL WIRES TO BE SUPPORTED AND SECURED PER CODE REQUIREMENTS. USE CLAMP 10495 OR 10497 OR WIRE TIE 8343 OR 108046 AND SCREW G67-XX-XXX OR G56-XX-XXX AS APPROPRIATE FOR INSTALLATION.



DETAIL DA

FOR ELECTRICAL TORQUE SPECIFICATIONS SEE DWG NO. 128783-01-000

FOR ELECTRICAL CALLOUTS SEE DWG NO. 121339-01-000

- 8FV MERCEDES CHASSIS UPGRADE PKG
- 35B LUGGAGE RACK
- 153 LG SCREEN-INFO/GPS SIRIUSXM
- 19R RADIO/REARVIEW MONITOR SYS
- 265 CODES/STANDARDS-CSA/CMVSS
- 1B1 CODES/STANDARDS USA

DESCRIPTION:		1B1 265	
WIRING INSTL-BODY, 12V			
SHEET:	ITEM/PART NO.:	REV:	
4 OF 4	000121782 / 32310501000		