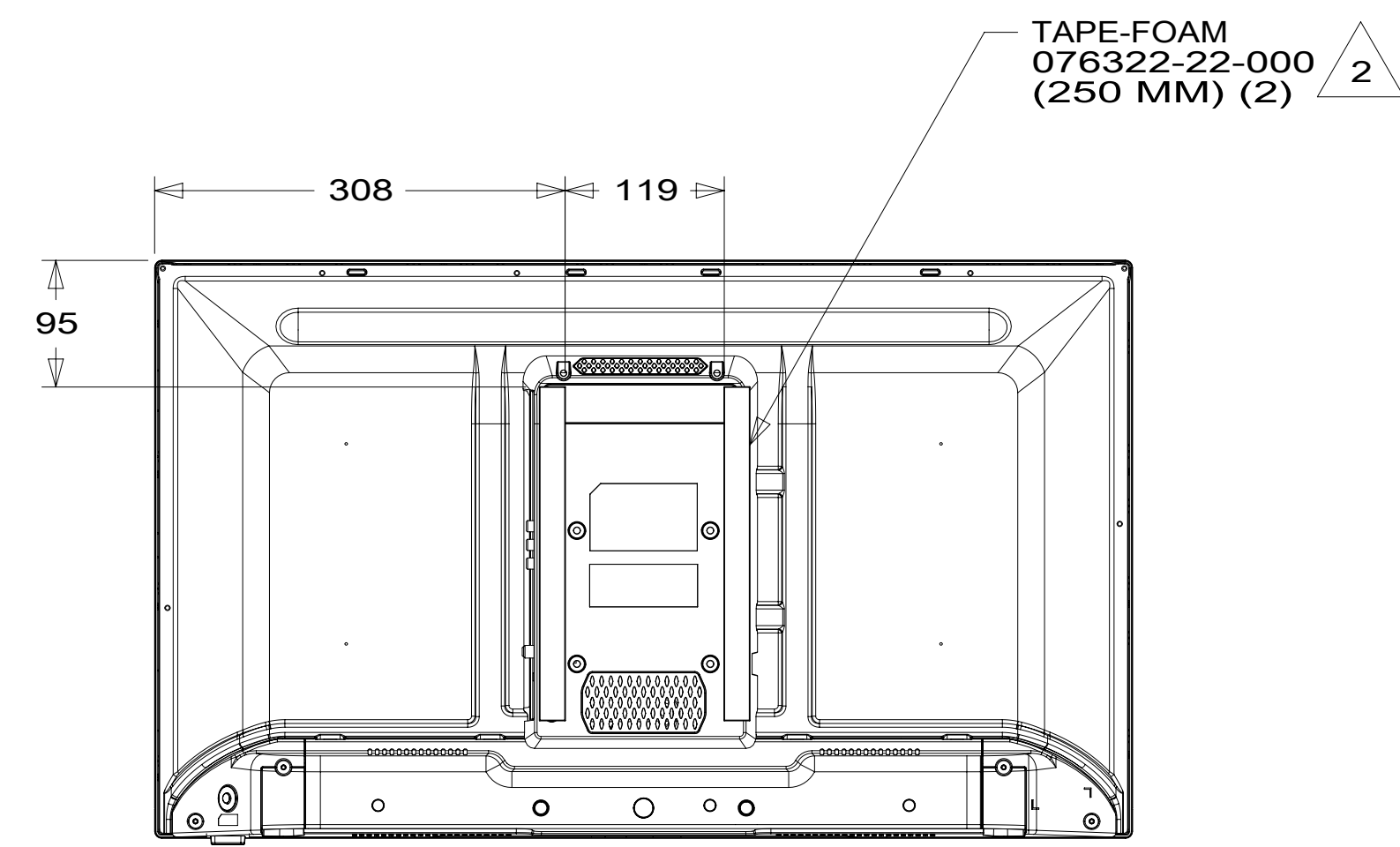
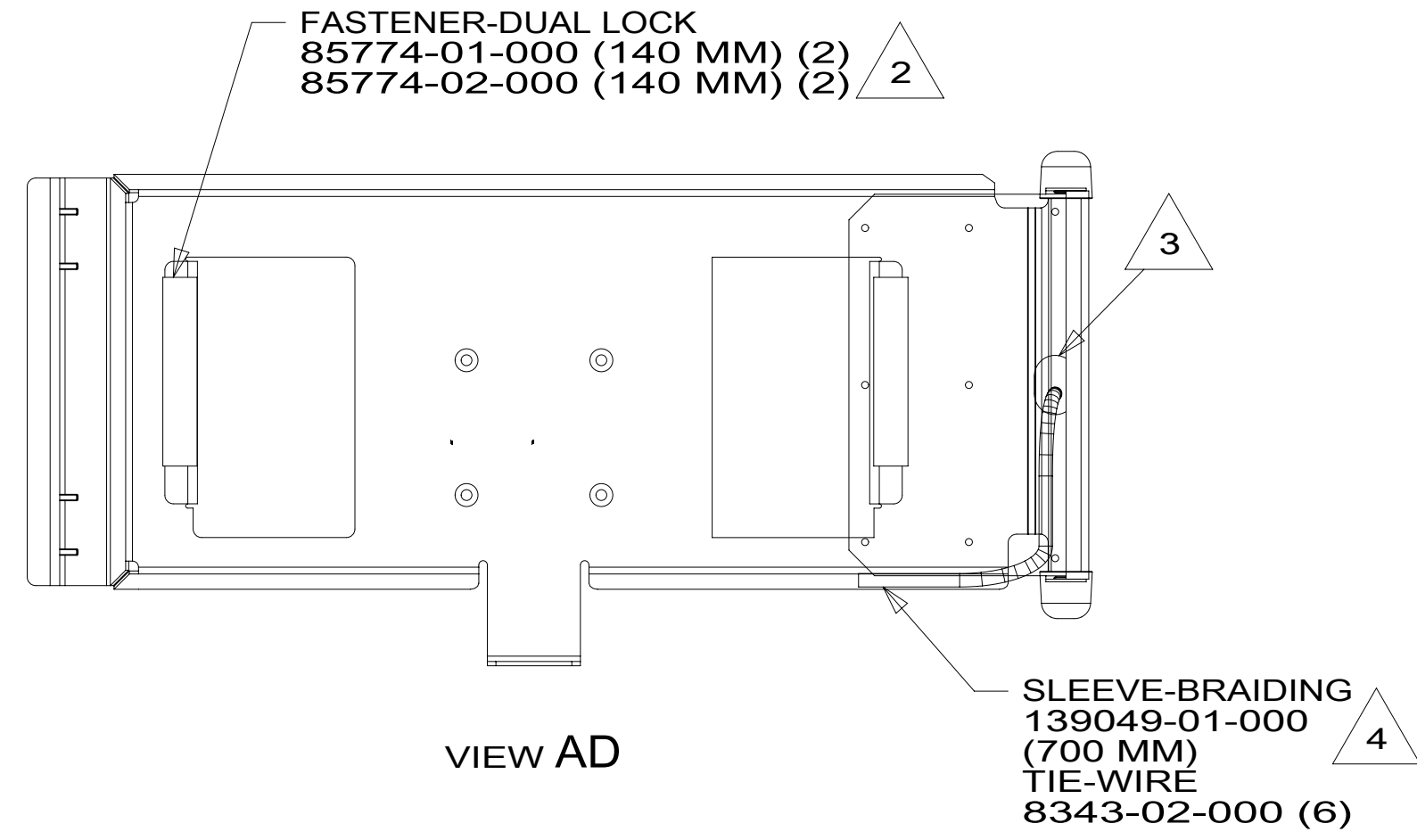


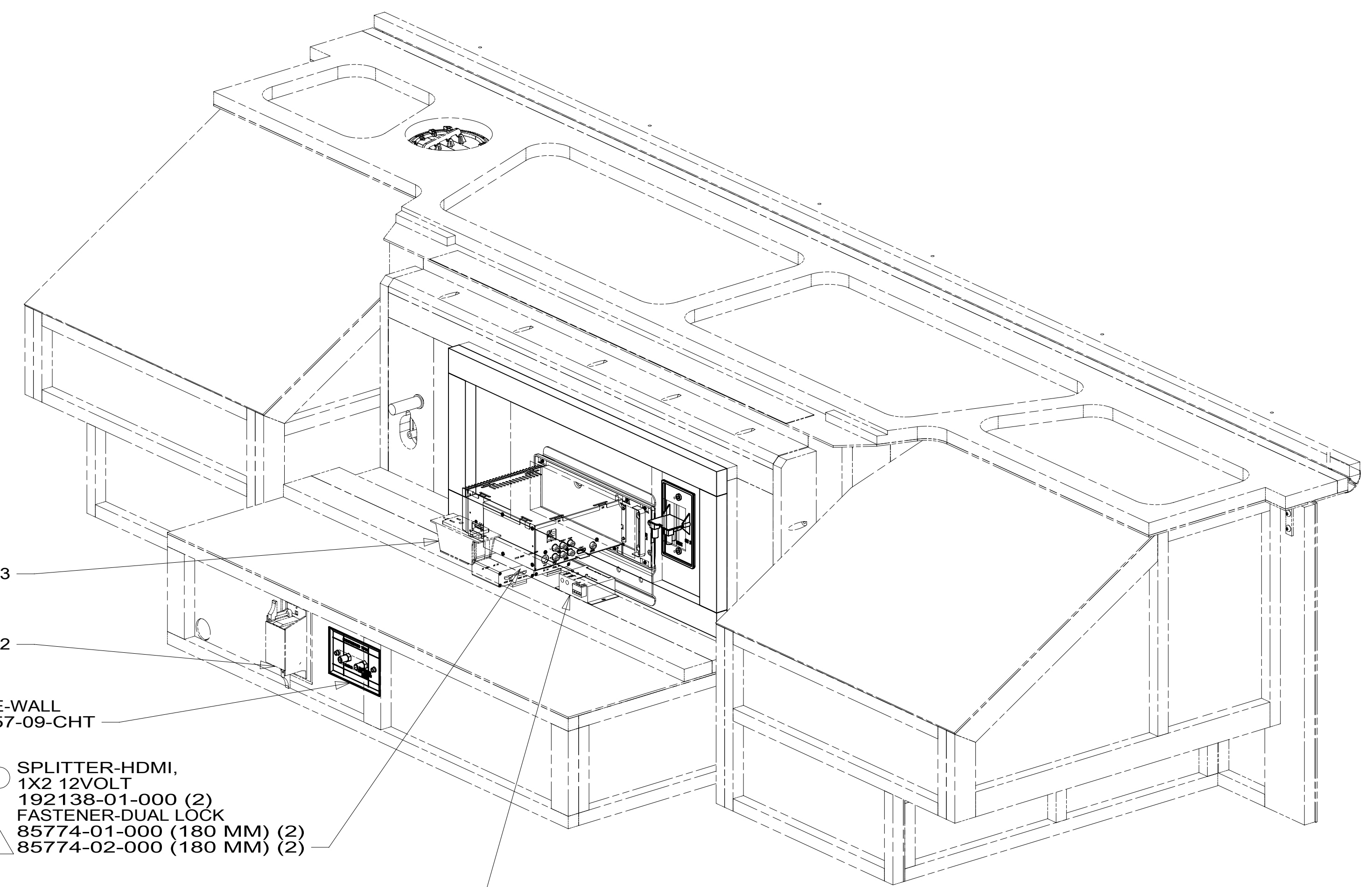
8 7 6 5 4 3 2 1



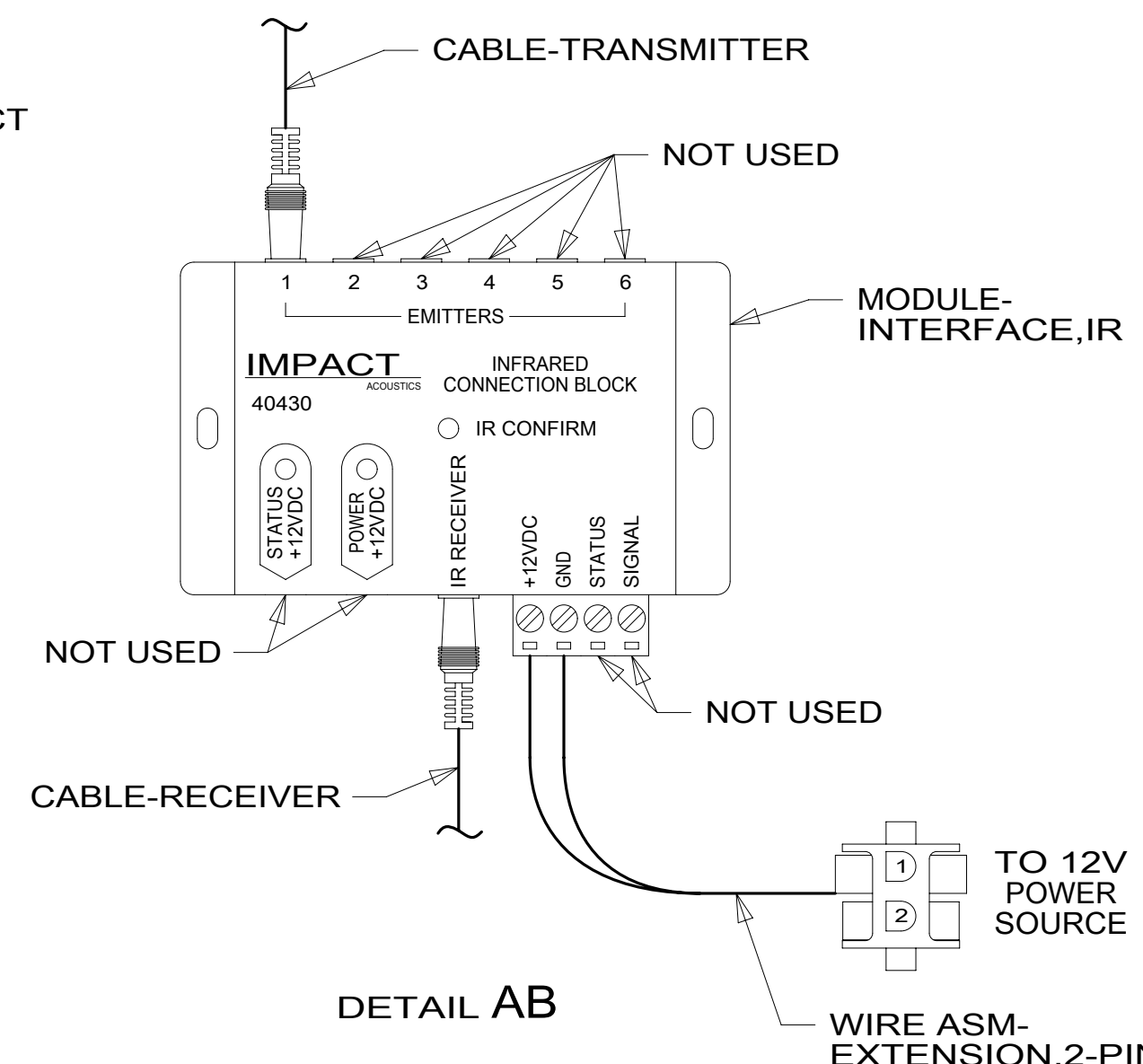
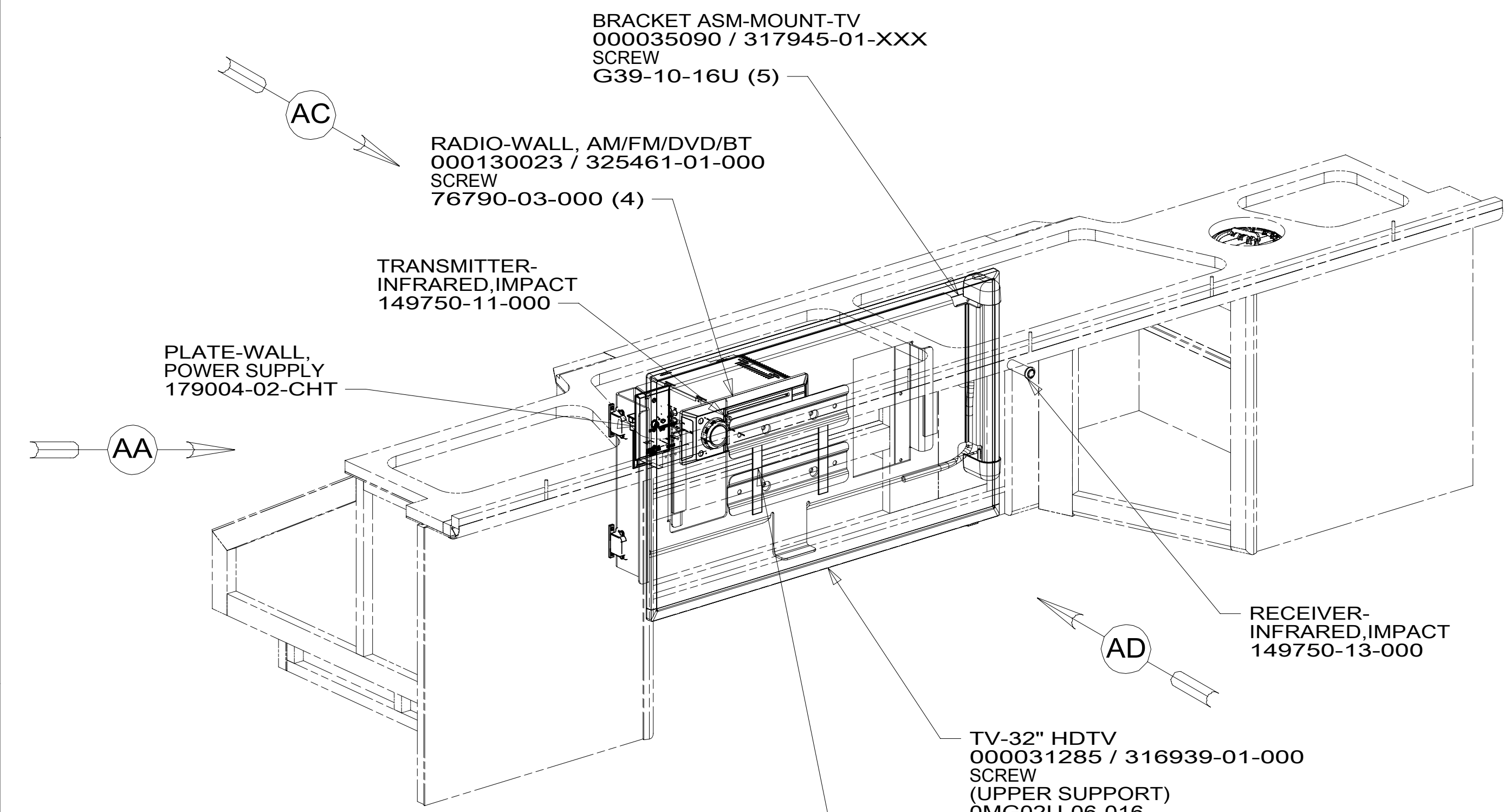
VIEW AC



VIEW AD



VIEW AA



DETAIL AB

- NOTES:
- 5 ATTACH DUAL LOCK TO UNDERSIDE OF SPLITTER AND ATTACH TO WOODEN SUPPORT.
  - 4 COVER WIRES, COAX, RCA, & HDMI CABLES WITH BRAIDED SLEEVING AND SECURE TO TV BRACKET WITH TIE-WIRE.
  - 3 HOLE IN BRACKET TO ALIGN WITH HOLE IN CABINET.
  - 2 CLEAN AND APPLY ADHESIVE PROMOTER 87211-01-000 TO BOTH SURFACES.
  - 1 SEE WIRING INSTL-BODY, 110V FOR ADDITIONAL INFORMATION.

- 68X TV - BEDROOM
- 265 CODES/STANDARDS-CSA/CMVSS
- 1B1 CODES/STANDARDS USA

1B1 265

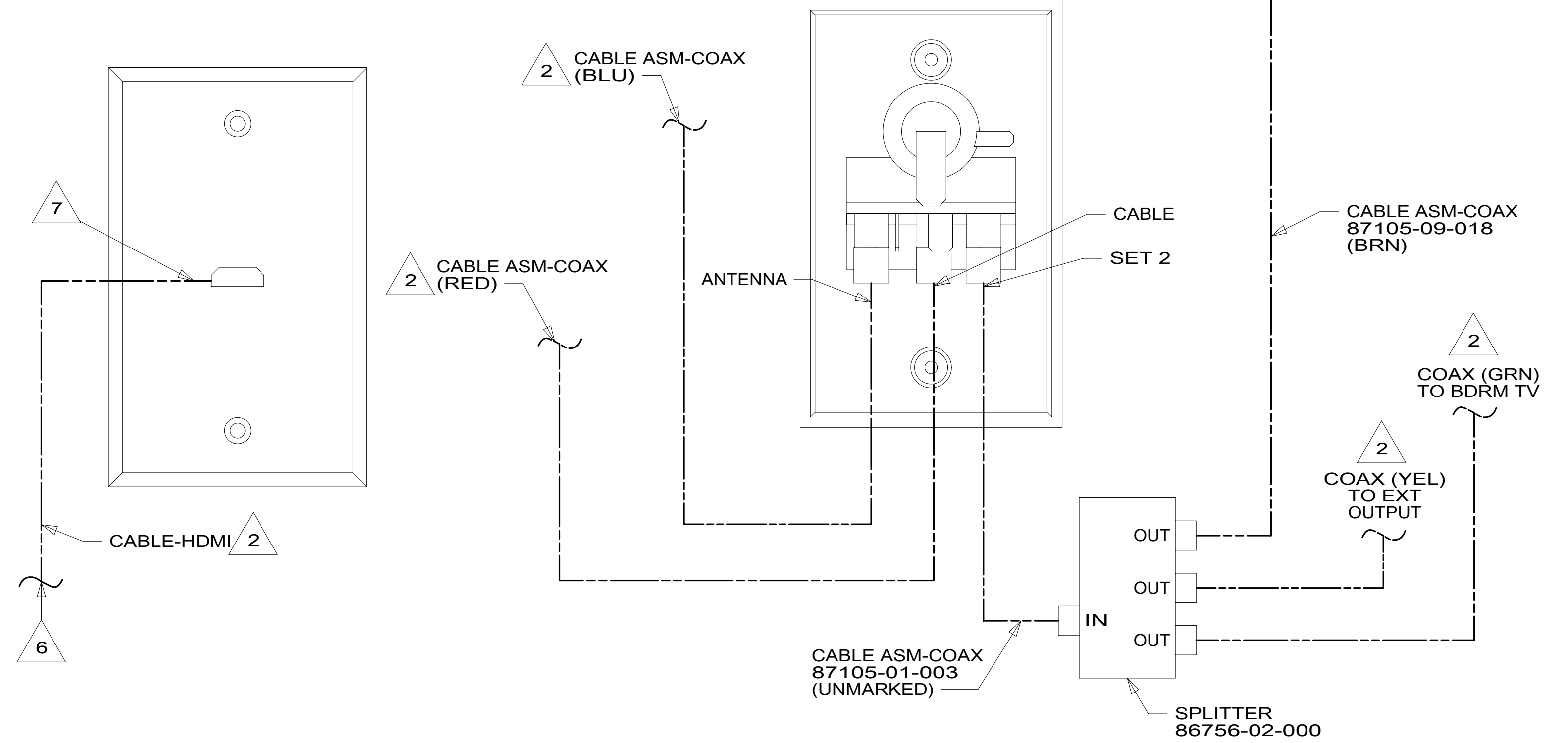
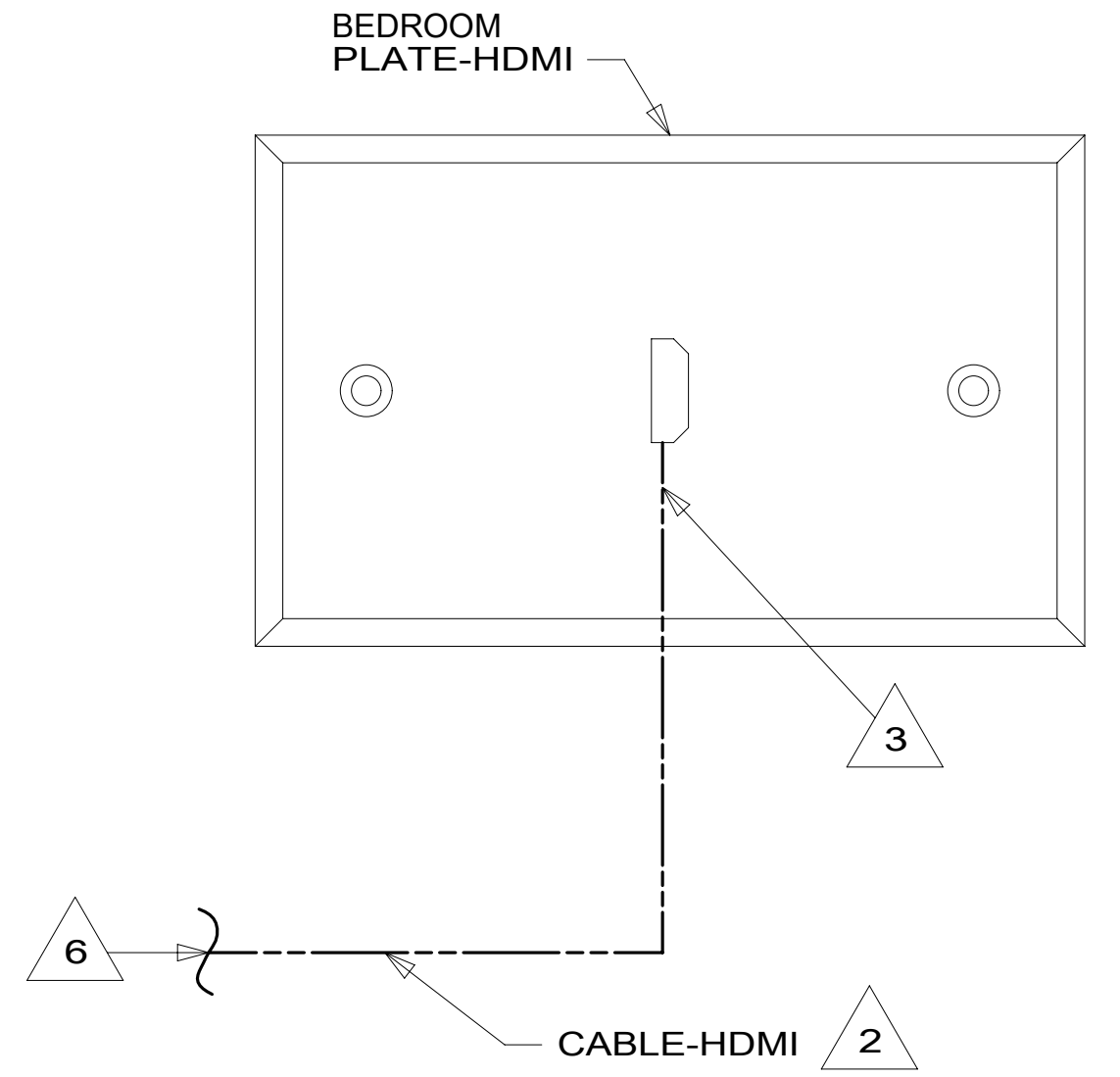
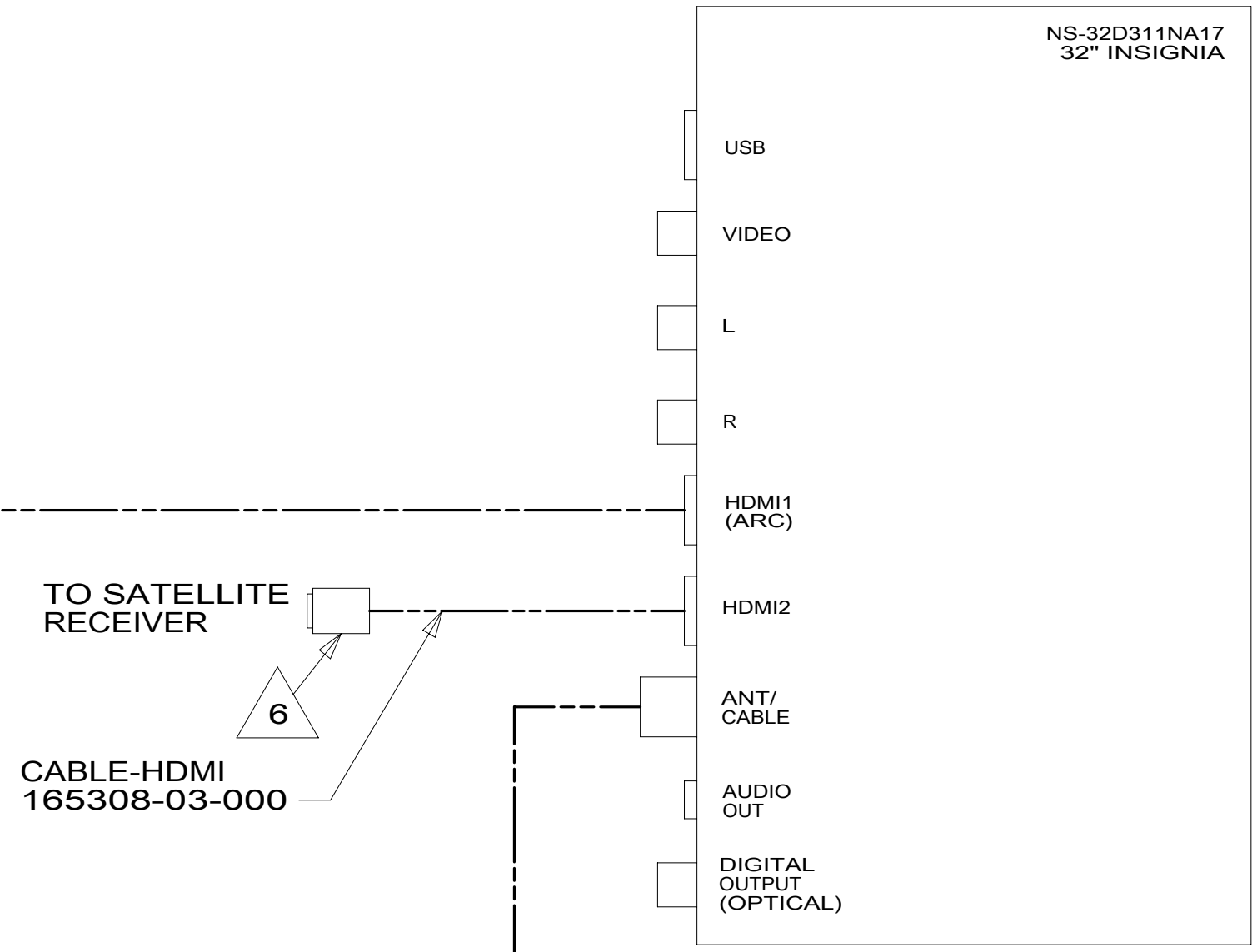
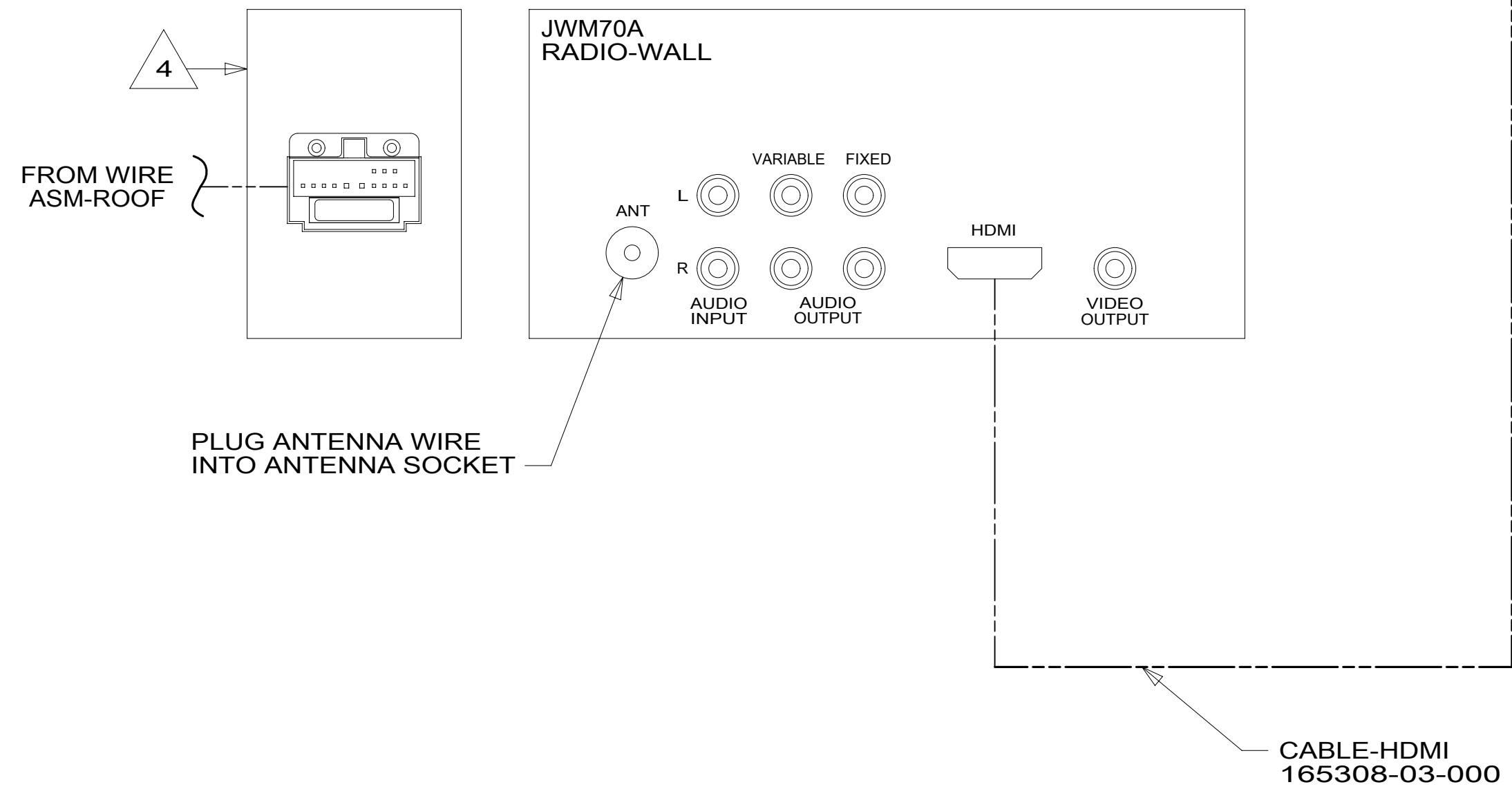
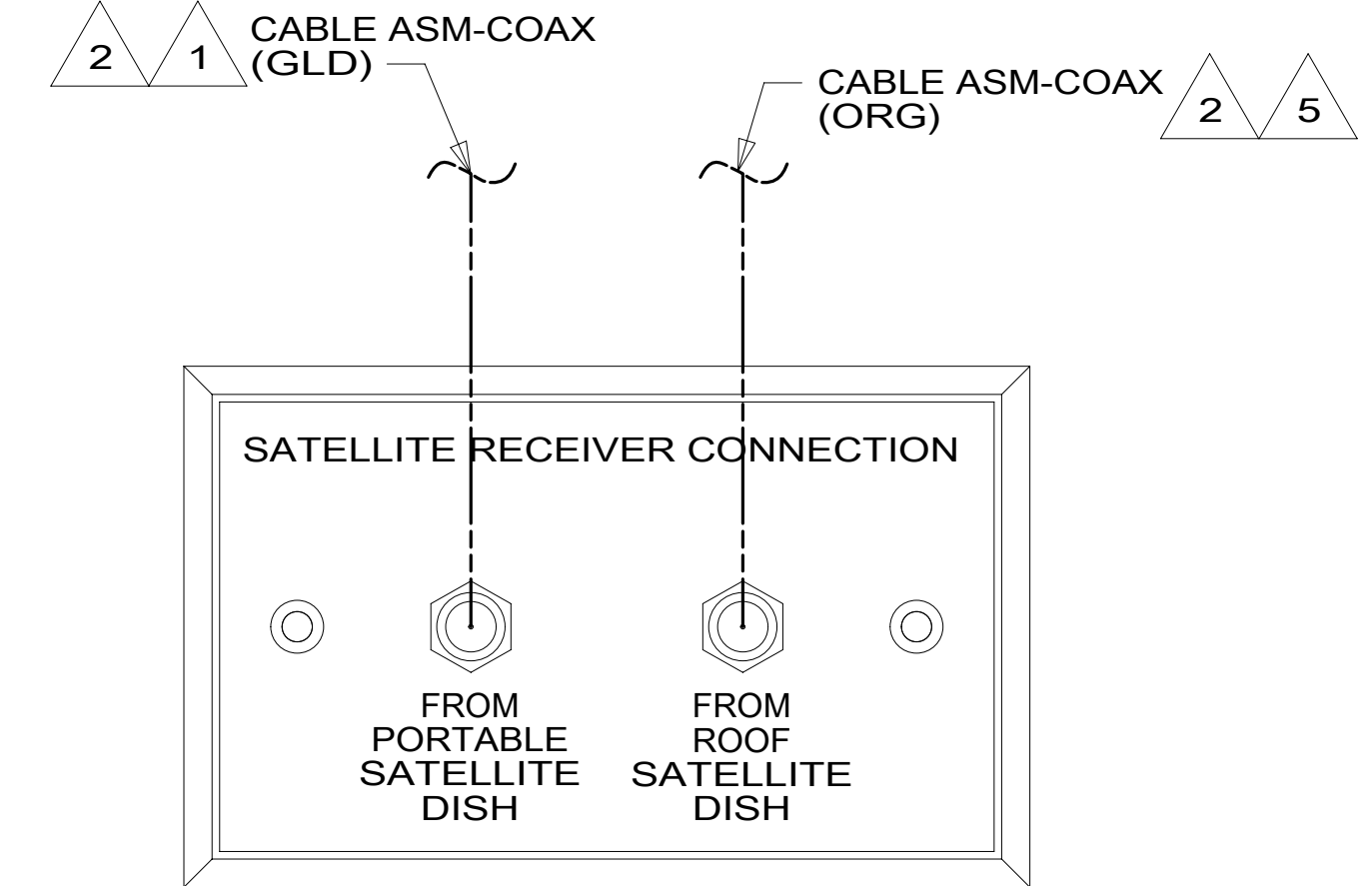
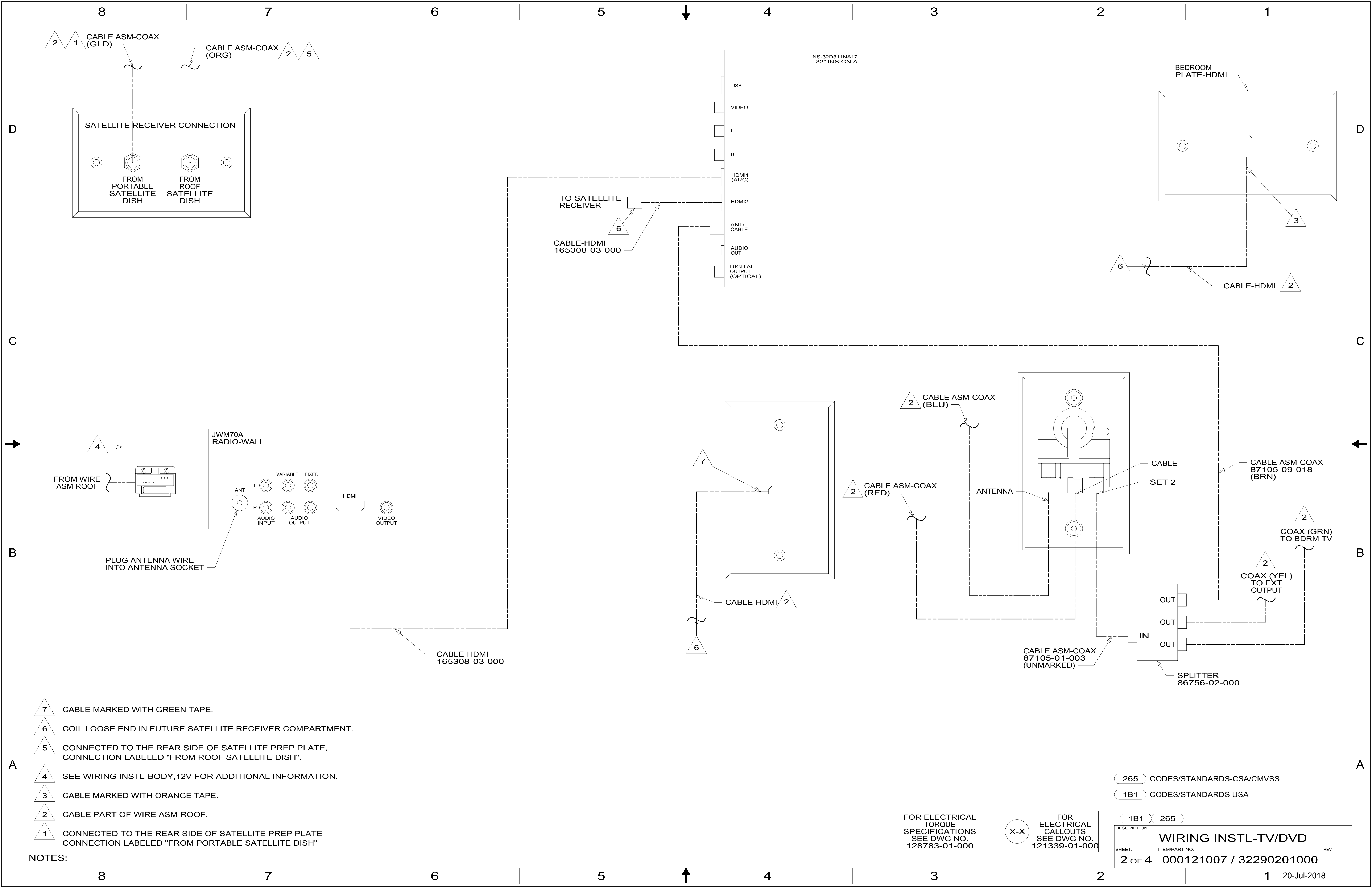
COPYRIGHT 2016 WINNEBAGO INDUSTRIES, INC.

DSNR:	ALL DIMENSIONS ARE IN MILLIMETERS
DIFFR:	
UNSPECIFIED TOLERANCES:	MATERIAL:
WHOLE DIM (X) : 3	
ONE-PLACE (X.X) : 1.5	
TWO-PLACE (X.XX) : 0.50	
ANGLE : 1°	
REFER TO ES0018 FOR FASTENER TIGHTENING GUIDELINES	WEIGHT: (LBS) FIRST USED: 18 423A
DESCRIPTION: WIRING INSTL-TV/DVD	
SHEET: 1 OF 4	ITEM/PART NO: 000121007 / 32290201000
REF:	1 20-Jul-2018

FOR ELECTRICAL TORQUE SPECIFICATIONS SEE DWG NO. 128783-01-000

FOR ELECTRICAL CALLOUTS SEE DWG NO. 121339-01-000

8 7 6 5 4 3 2 1



- NOTES:**
- 7 CABLE MARKED WITH GREEN TAPE.
  - 6 COIL LOOSE END IN FUTURE SATELLITE RECEIVER COMPARTMENT.
  - 5 CONNECTED TO THE REAR SIDE OF SATELLITE PREP PLATE, CONNECTION LABELED "FROM ROOF SATELLITE DISH".
  - 4 SEE WIRING INSTL-BODY, 12V FOR ADDITIONAL INFORMATION.
  - 3 CABLE MARKED WITH ORANGE TAPE.
  - 2 CABLE PART OF WIRE ASM-ROOF.
  - 1 CONNECTED TO THE REAR SIDE OF SATELLITE PREP PLATE CONNECTION LABELED "FROM PORTABLE SATELLITE DISH"

FOR ELECTRICAL TORQUE SPECIFICATIONS SEE DWG NO. 128783-01-000

FOR ELECTRICAL CALLOUTS SEE DWG NO. 121339-01-000

- 265 CODES/STANDARDS-CSA/CMVSS
- 1B1 CODES/STANDARDS USA

DESCRIPTION:		1B1 265	
<b>WIRING INSTL-TV/DVD</b>			
SHEET:	ITEM/PART NO.:	REV	
2 OF 4	000121007 / 32290201000		

8 7 6 5 4 3 2 1

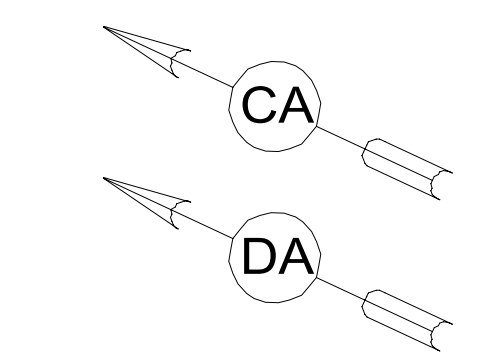
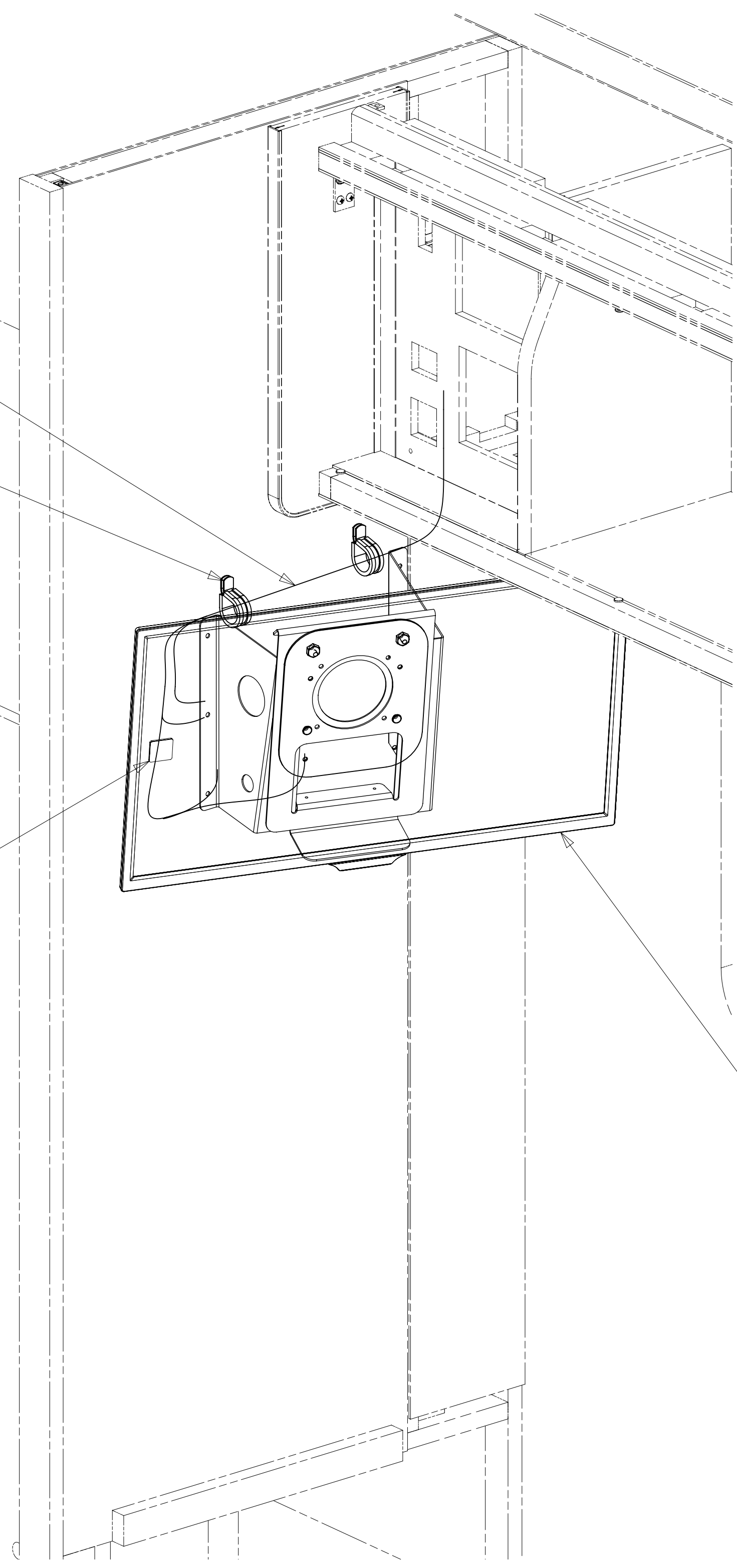


D  
C  
B  
A

D  
C  
B  
A

CONDUIT-CONVOLUTE  
041953-03-000  
(500 MM)  
  
CLAMP  
010497-01-000 (2)  
SCREW  
G11-10-08U (2)

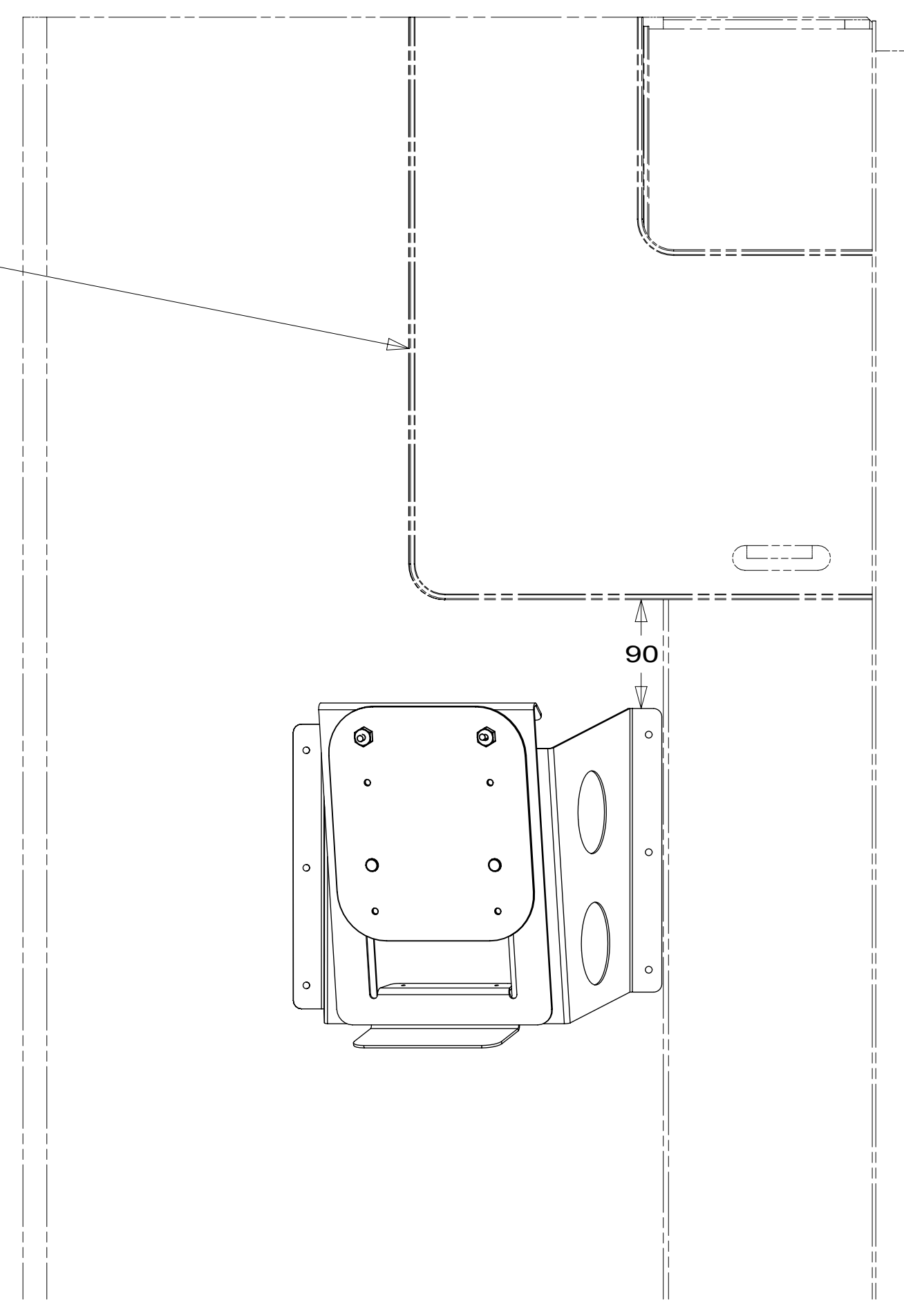
TIE-WIRE, MOUNT  
ADHESIVE 1"  
155366-01-000  
TIE-WIRE  
008343-04-000



TV-24" HDTV, INSIGNIA  
000167921 / 330227-01-000  
PLATE ASM  
000168018 / 330250-01-CHT  
NUT  
000D65-08-00U (2)  
SCREW  
000G19-10-10U (2)  
BRACKET-TV  
000034270 / 317750-01-CHT  
SCREW  
000G11-10-10U (6)  
PLATE-MOUNTING  
000032972 / 317364-01-CHT  
SCREW  
0MG02U-04-012 (4)  
WASHER  
0ME02U-04-071 (4)  
SCREW  
G11-08-024 (2)

OVHD CABINET  
(REF)

SIDEWALL  
(REF)



VIEW CA  
(TV NOT SHOWN)

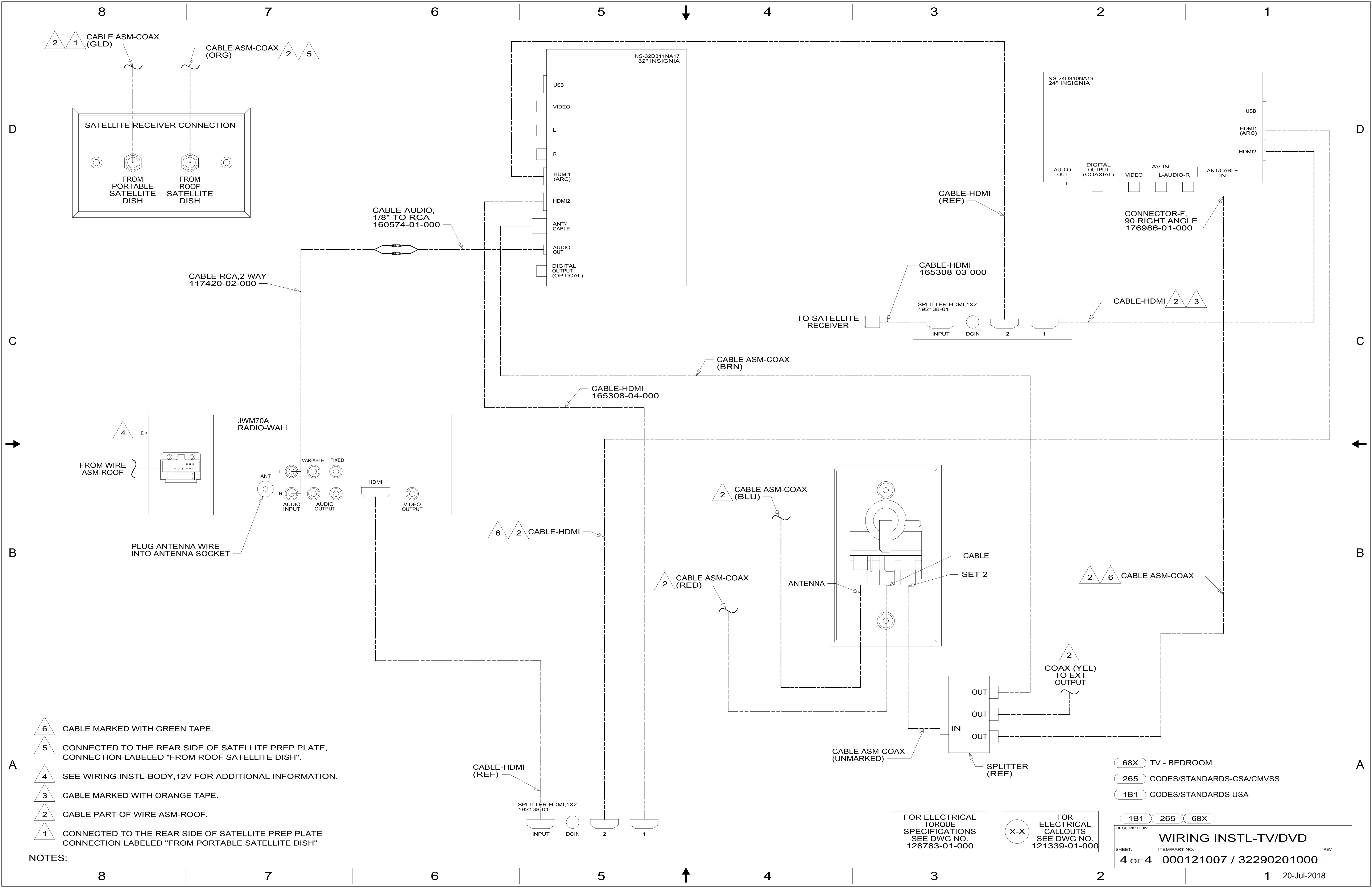
- 68X TV - BEDROOM
- 265 CODES/STANDARDS-CSA/CMVSS
- 1B1 CODES/STANDARDS USA

FOR ELECTRICAL  
TORQUE  
SPECIFICATIONS  
SEE DWG NO.  
128783-01-000

FOR  
ELECTRICAL  
CALLOUTS  
SEE DWG NO.  
121339-01-000

DESCRIPTION:	1B1 265 68X	
<b>WIRING INSTL-TV/DVD</b>		
SHEET:	ITEM/PART NO:	REV
3 OF 4	000121007 / 32290201000	

8 7 6 5 4 3 2 1 20-Jul-2018



- NOTES:
- 6 CABLE MARKED WITH GREEN TAPE.
  - 5 CONNECTED TO THE REAR SIDE OF SATELLITE PREP PLATE, CONNECTION LABELED "FROM ROOF SATELLITE DISH".
  - 4 SEE WIRING INSTL-BODY, 12V FOR ADDITIONAL INFORMATION.
  - 3 CABLE MARKED WITH ORANGE TAPE.
  - 2 CABLE PART OF WIRE ASM-ROOF.
  - 1 CONNECTED TO THE REAR SIDE OF SATELLITE PREP PLATE CONNECTION LABELED "FROM PORTABLE SATELLITE DISH"

FOR ELECTRICAL TORQUE SPECIFICATIONS SEE DWG NO. 128783-01-000

FOR ELECTRICAL CALLOUTS SEE DWG NO. 121339-01-000

68X	TV - BEDROOM	
265	CODES/STANDARDS-CSA/CMVSS	
1B1	CODES/STANDARDS USA	
1B1	265	68X
DESCRIPTION: <b>WIRING INSTL-TV/DVD</b>		
SHEET: 4 OF 4	ITEM/PART NO: 000121007 / 32290201000	REV
20-Jul-2018		