

FRONT
OF
COACH

13. APPLY 1/4" BEAD OF SILICONE (131264-05-CHT) TO FLANGE BEFORE INSTALLATION AND THEN CAP SEAL SINK COUNTERTOP WITH SILICONE (131264-05-CHT).
12. PIPE TO BE INSTALLED AFTER THE ROOF IS INSTALLED.
11. GLUE FITTING AFTER CABINET IS INSTALLED.
10. APPLY PRIMER 126427-02-000 AND CEMENT 126427-01-000 BETWEEN ELBOW AND FLEX PIPE.
9. SEE DRAWING 061607 FOR INSTALLATION OF GROMMETS.
8. SECURE DRAINAGE PIPES TO CABINET USING WIRE TIE 108046-02-000, AND SCREW 000G67-10-12U AT INTERVALS OF NOT OF NOT MORE THAN 4 FEET APART.
7. SECURE VENT PIPE TO FLOOR WITH CLAMP 000156237 / 326663-02-000 (2), SCREW 000G67-10-12U (2), BRACKET 136878-01-CHT (2).
6. VENT PIPE MUST PROJECT 51 MIN AND 64 MAX ABOVE ROOF FOR PROPER FIT AND FUNCTION. ADD S-1 (000156099 / 326607-01-CHT SEAL-VENT PIPE) AROUND PIPE ON ROOF BEFORE VENT CAP IS INSTALLED.
5. SEAL AROUND SHOWER WITH SILICONE.
4. USE SMOOTH PLUMBERS PUTTY 167459-01-000 TO SEAL STRAINER (0.2 PER STRAINER).
3. ALL PIPE AND FITTINGS TO BE ASSEMBLED WITH SOLVENT 004020-01-000 (USA), 004020-02-000 (CAN)
2. SLOPE OF TRAP ARM MUST BE 6 PER 305 mm.
1. SLOPE OF HORIZONTAL PIPING TO BE MINIMUM OF 3 PER 305 mm.

NOTES:

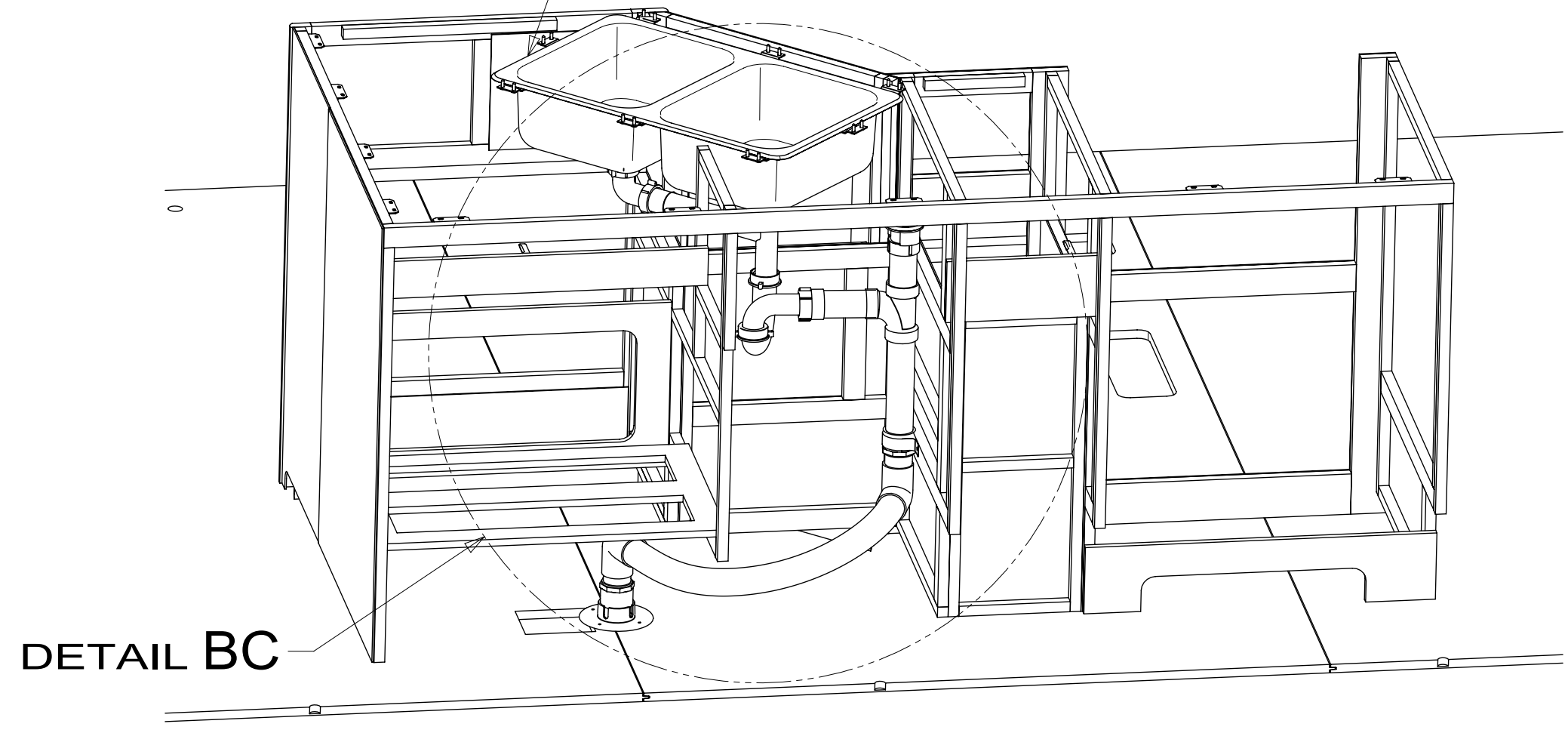
X-X

FOR
DRAINAGE
CALLOUTS
SEE DWG NO.
000211962 /
303370-01-000

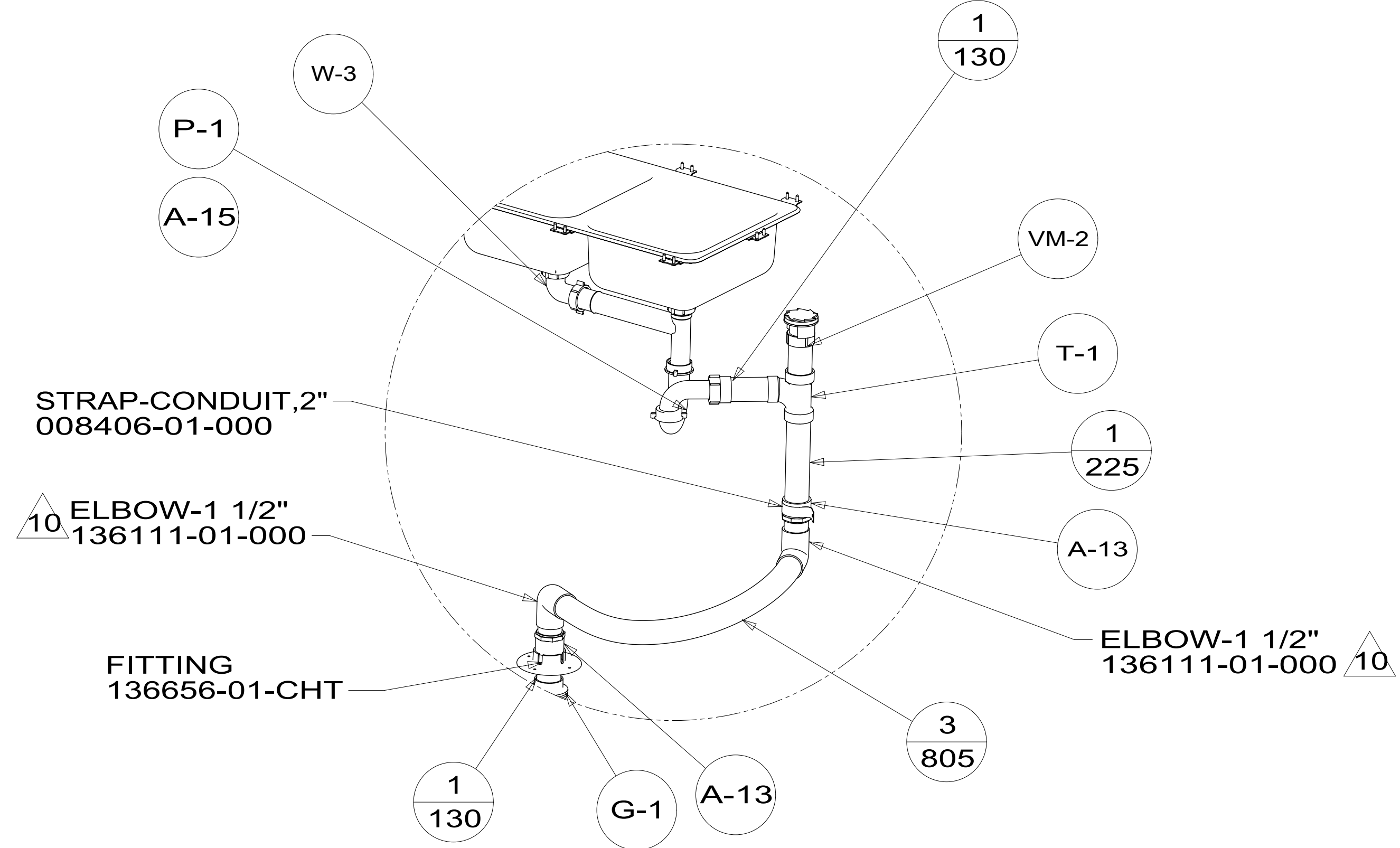
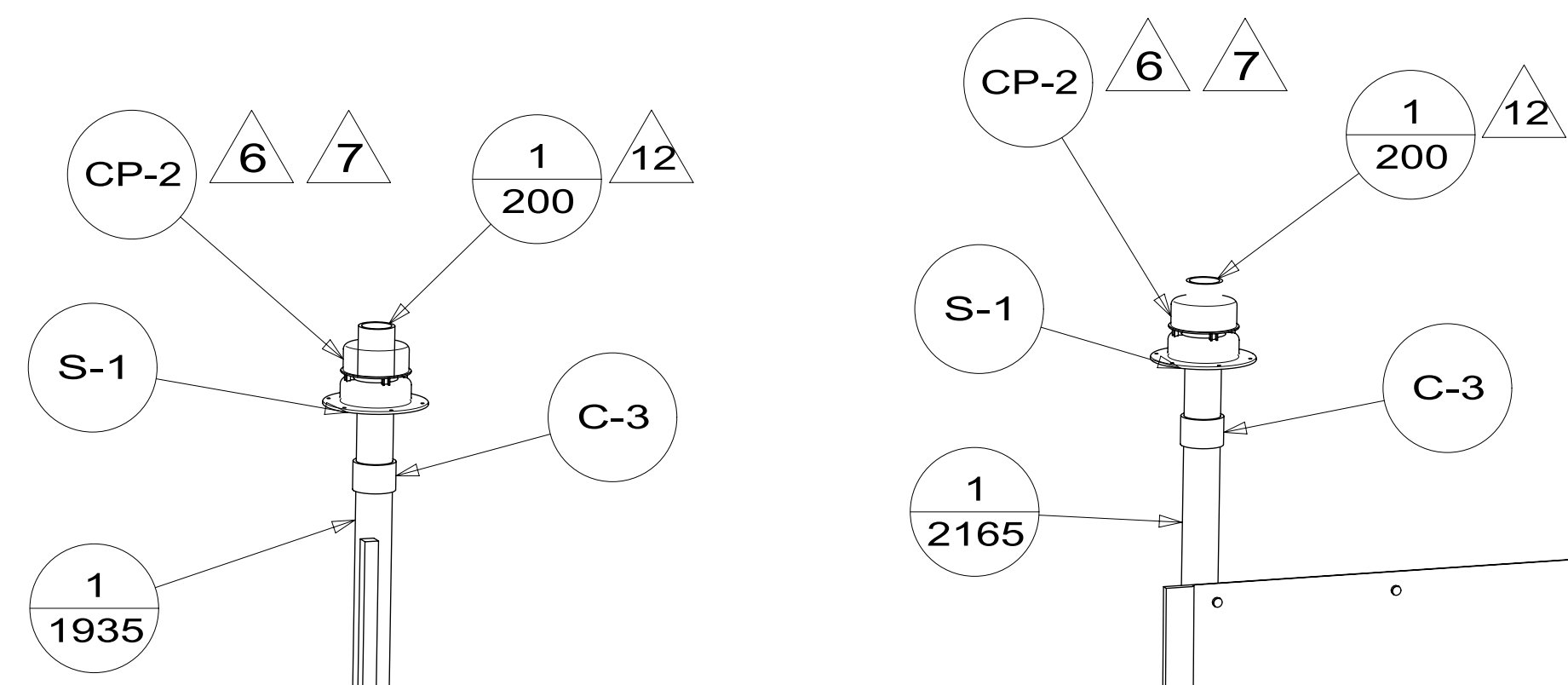
WINNEBAGO COPYRIGHT 2018 WINNEBAGO INDUSTRIES, INC.		ALL DIMENSIONS ARE IN MILLIMETERS	
DSNR:		MATERIAL:	
DIFFR:		WEIGHT: (LBS)	FIRST USED: (REF)
UNSPECIFIED TOLERANCES:			18 V29L
WHOLE DIM (X)	3		
ONE-PLACE (X.X)	1.5		
TWO-PLACE (X.XX)	0.50		
ANGLE	1°		
REFER TO ES0018 FOR FASTENER TIGHTENING GUIDELINES			
DRAINAGE SYSTEM INSTL			
SHEET:	ITEM/PART NO:	REV:	
1 OF 4	000119953 / 32265401000		

8 7 6 5 4 3 2 1

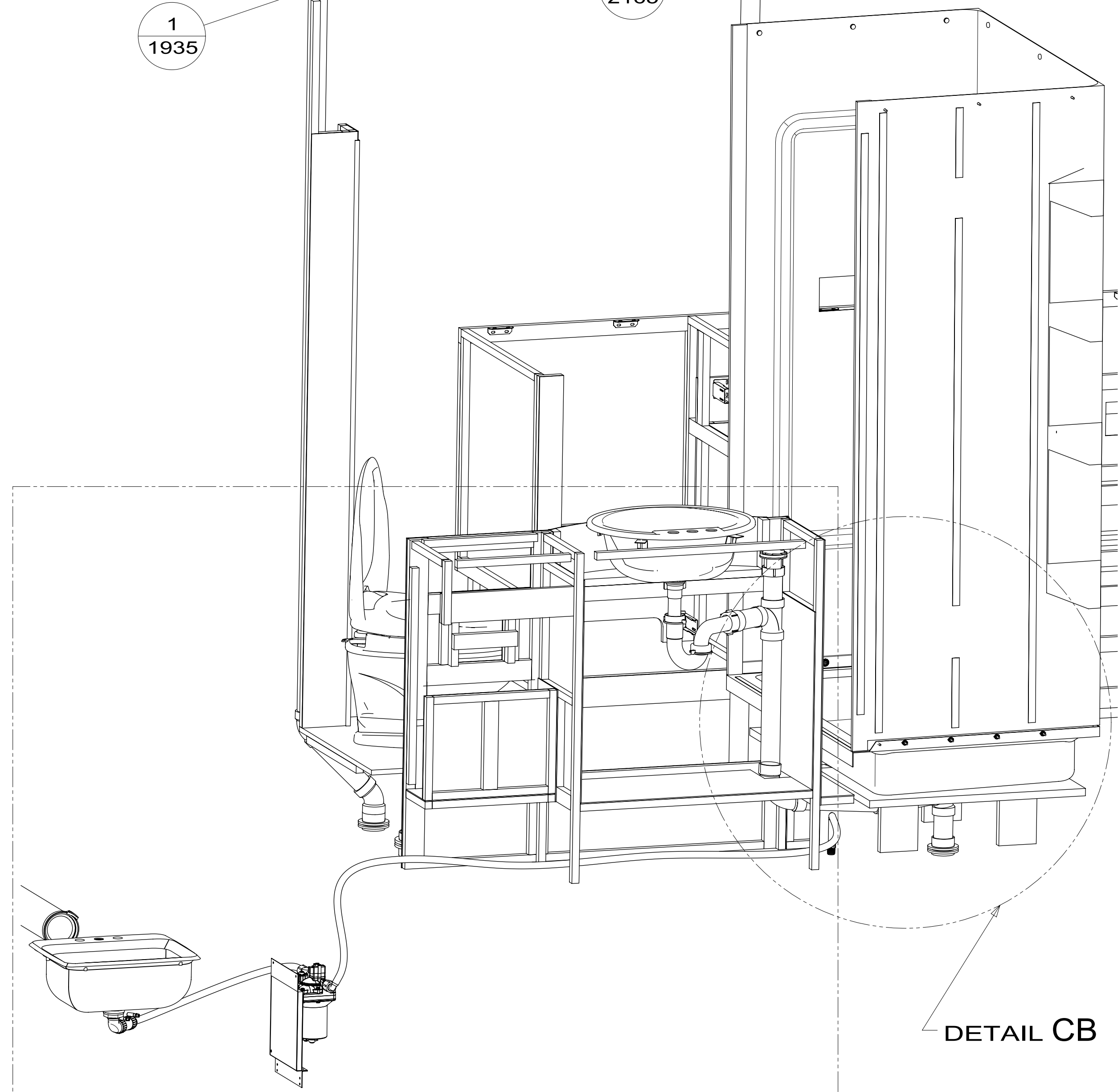
SINK-GALLEY
 000013705 / 311763-01-CHT ¹³
 STRAINER-SINK
 092303-01-000 (2) ⁴
 ANGLE-FORMED
 000159986 / 327816-01-CHT(8)
 SCREW
 000G67-10-10U (16)



VIEW BA



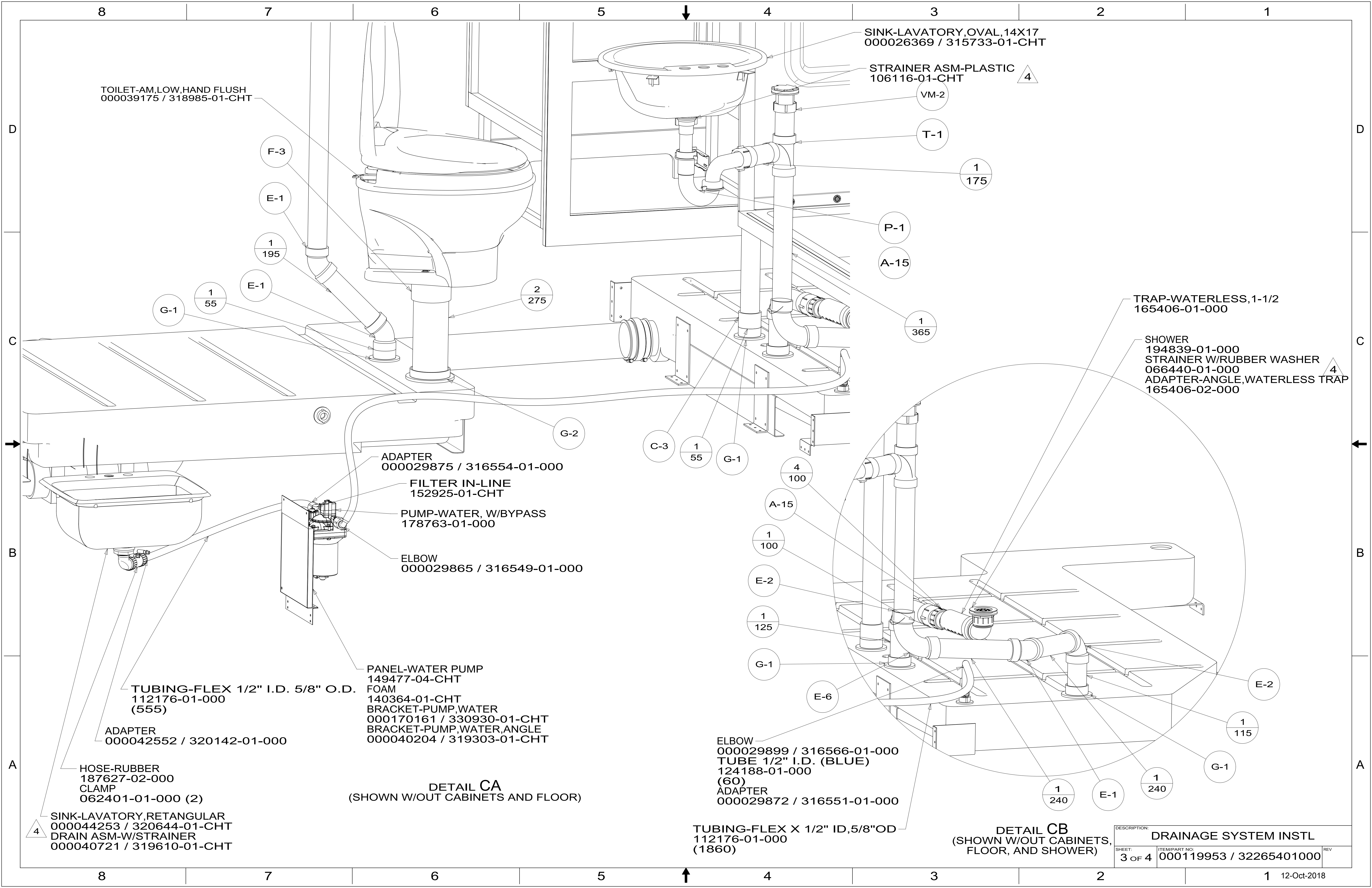
DETAIL BC
 (SHOWN W/OUT CABINETS AND FLOOR)



VIEW BB

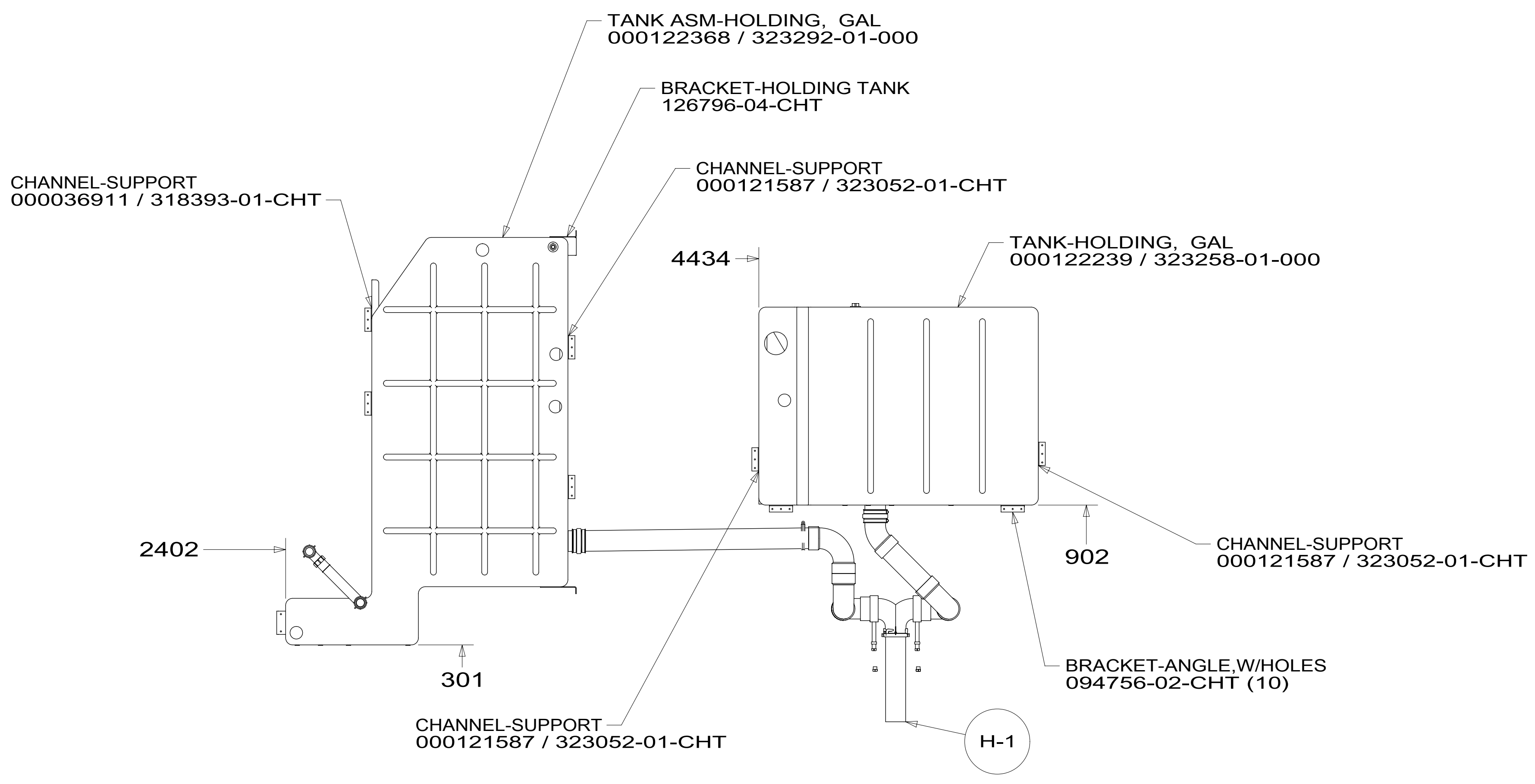
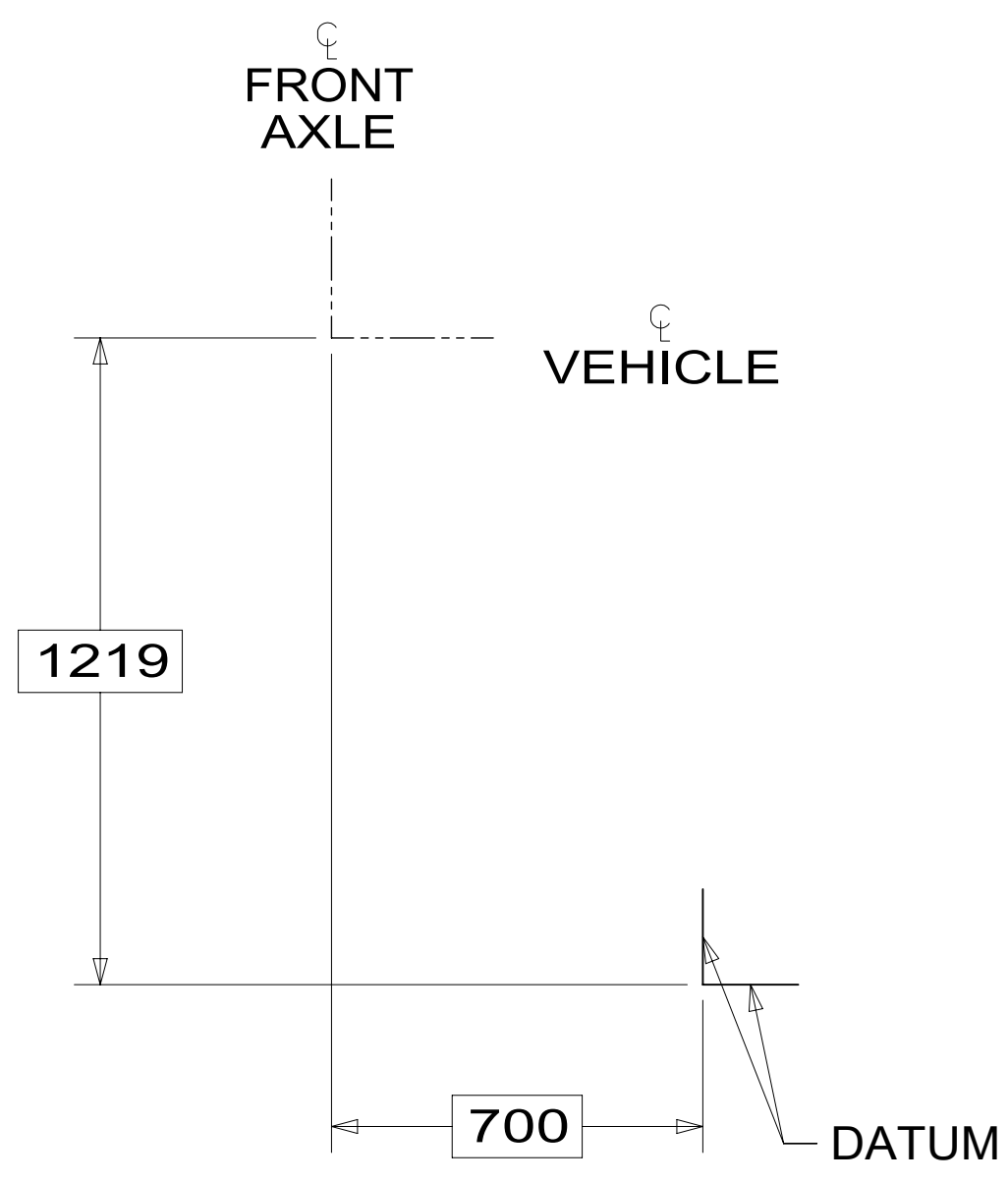
DESCRIPTION: DRAINAGE SYSTEM INSTL		
SHEET: 2 OF 4	ITEM/PART NO: 000119953 / 32265401000	REV

8 7 6 5 4 3 2 1 12-Oct-2018

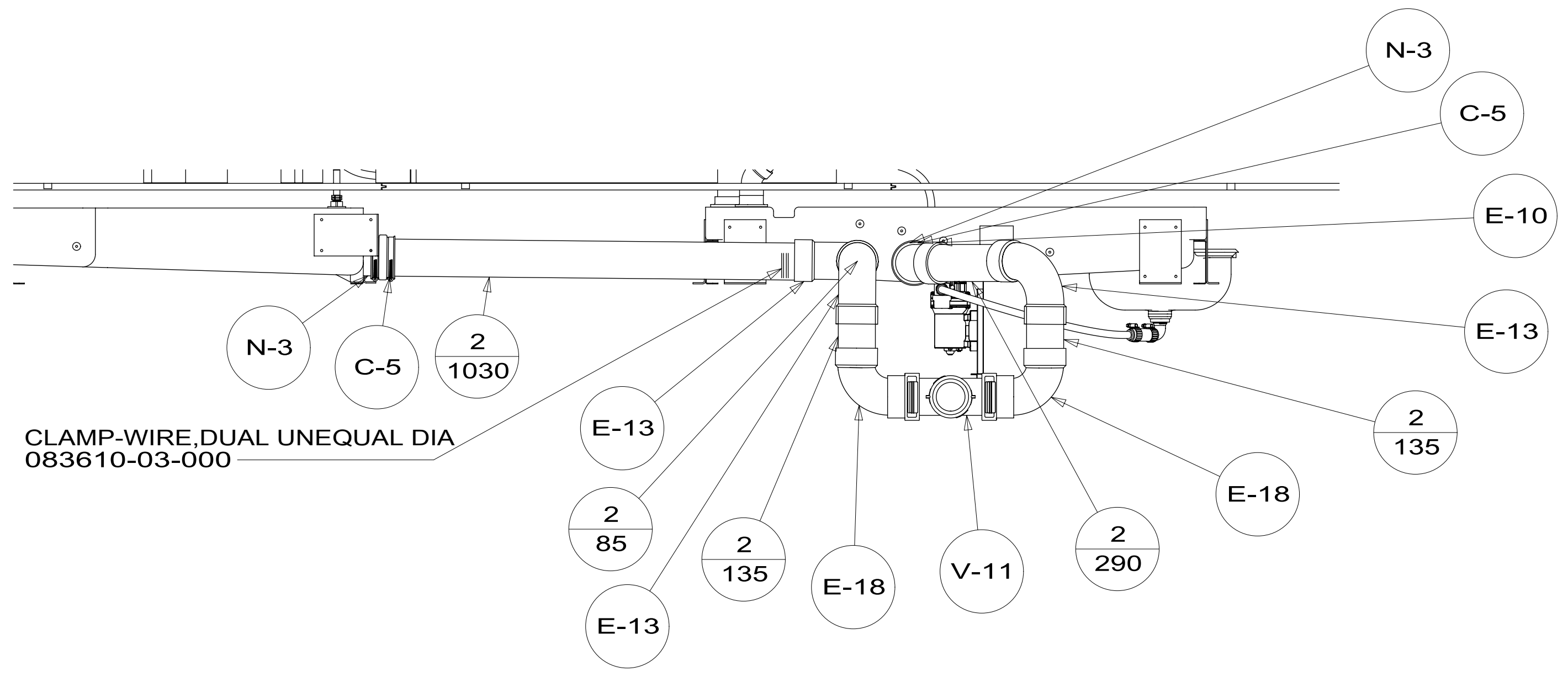


DESCRIPTION:		DRAINAGE SYSTEM INSTL	
SHEET:	ITEM/PART NO:	REV	
3 OF 4	000119953 / 32265401000		

8 7 6 5 4 3 2 1



TOP VIEW
(SHOW W/OUT FLOOR)



DESCRIPTION: DRAINAGE SYSTEM INSTL		
SHEET: 4 OF 4	ITEM/PART NO: 000119953 / 32265401000	REV
		1 12-Oct-2018

8 7 6 5 4 3 2 1