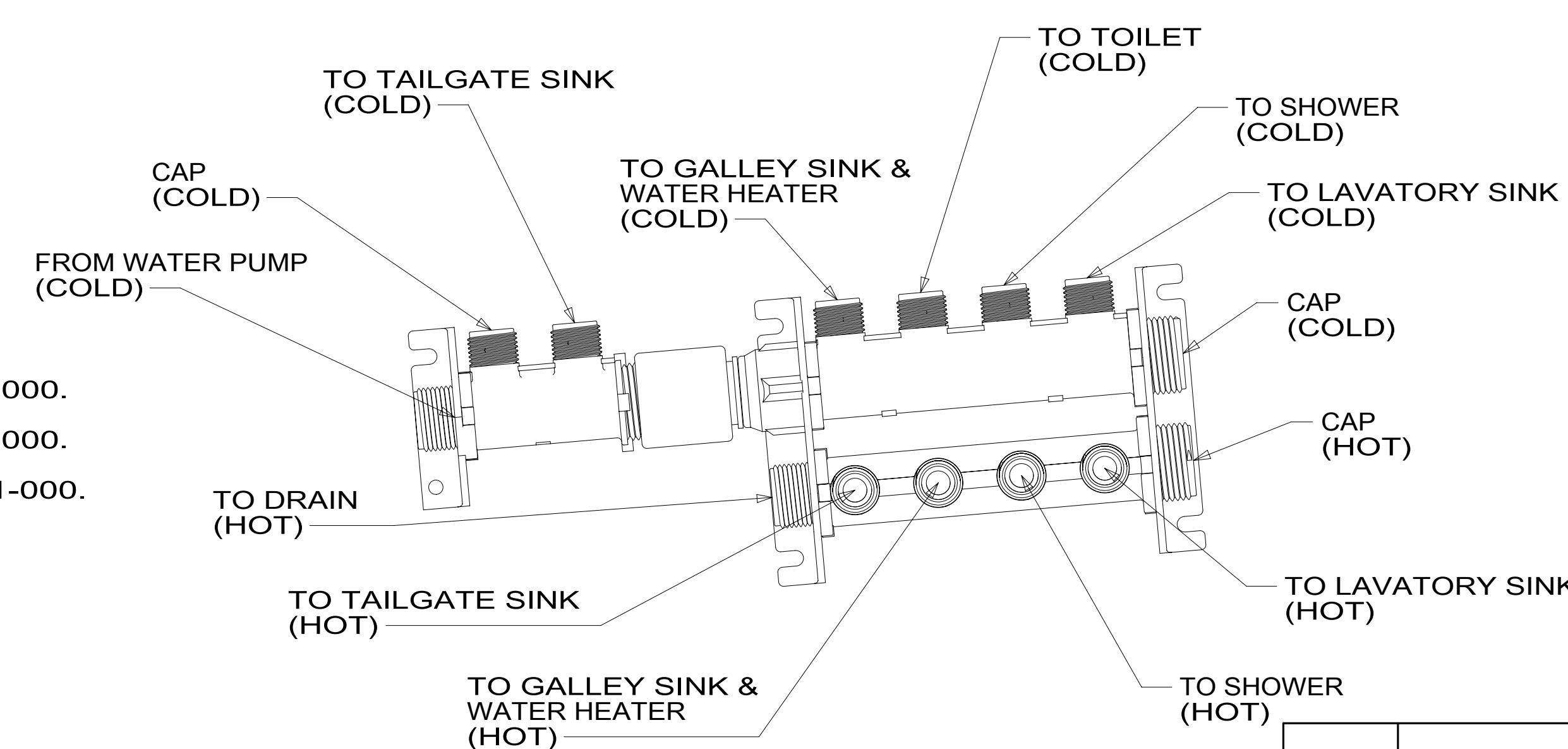


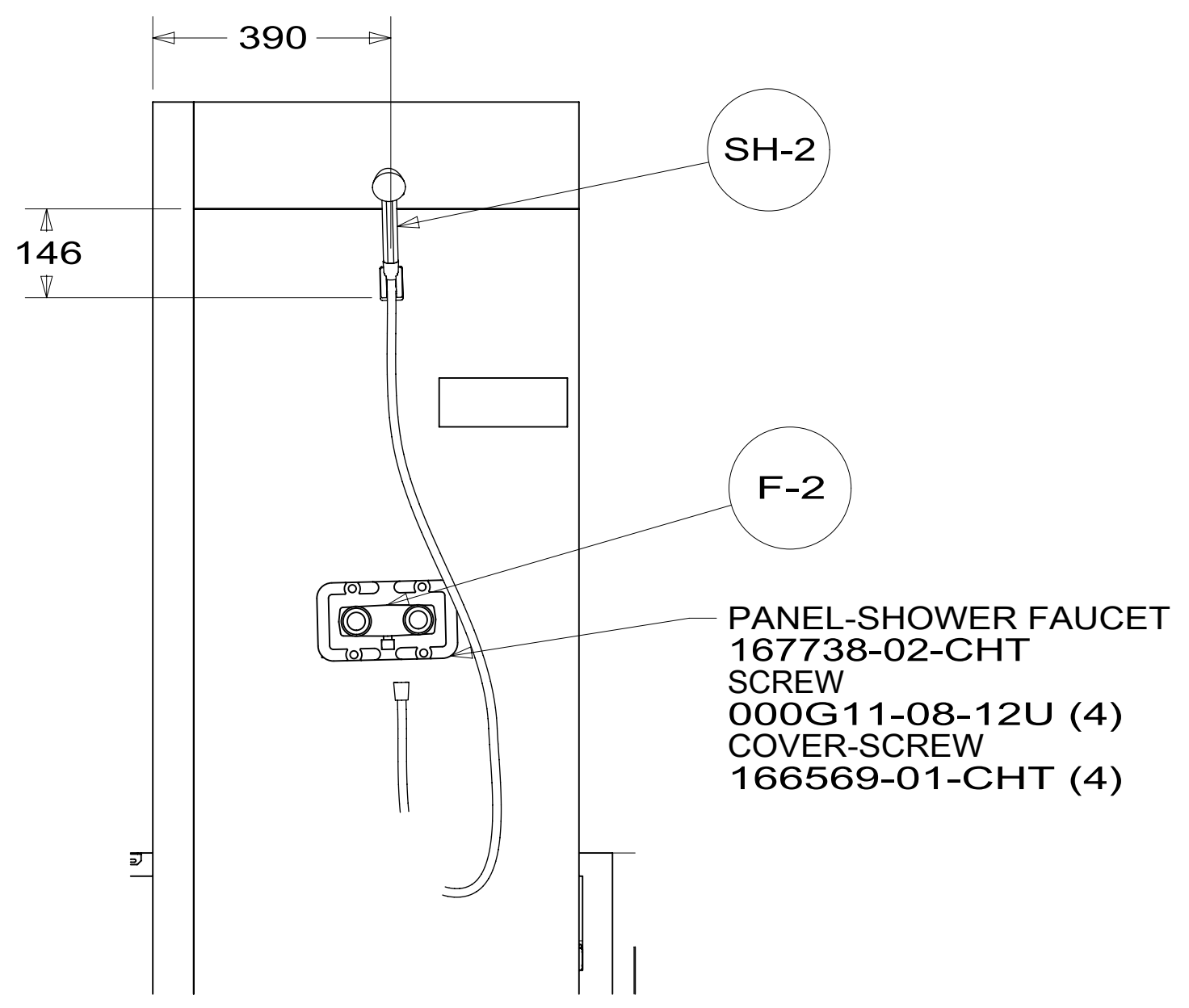
- NOTES:
1. PLASTIC FITTINGS TO BE SEALED WITH SEALANT 084456-01-000.
 2. TUBING TO BE INSTALLED WITH SUFFICIENT SLOPE TO PROVIDE DRAINAGE TO NEAREST VALVE.
 3. ALL TUBING TO BE SECURED AT 1200 INTERVALS MAXIMUM WITH CLAMP 010495-01-000 AND SCREW 000G67-10-12U OR EQUIVALENT.
 4. ADD TEFLON TAPE 010405-01-000.
 5. ADD PIPE WRAP (LADDER SCRAP 110157-02-000) INSULATION.
 6. LABEL HOT AND COLD SUPPLY TUBES AND TAPE FITTING TO TUBE BEFORE CABINET SET TO PREVENT MOVEMENT.
 7. ALL CRIMP FITTINGS TO 5/8" FLEX TUBING REQUIRE 5/8" CLAMP 000156248 / 326669-01-000.
 8. ALL CRIMP FITTINGS TO 1/2" PEX TUBING REQUIRE 1/2" CLAMP 000156249 / 326670-01-000.
 9. ALL CRIMP FITTINGS TO 3/4" PEX TUBING REQUIRE 3/4" CLAMP 000156247 / 326668-01-000.



X-X

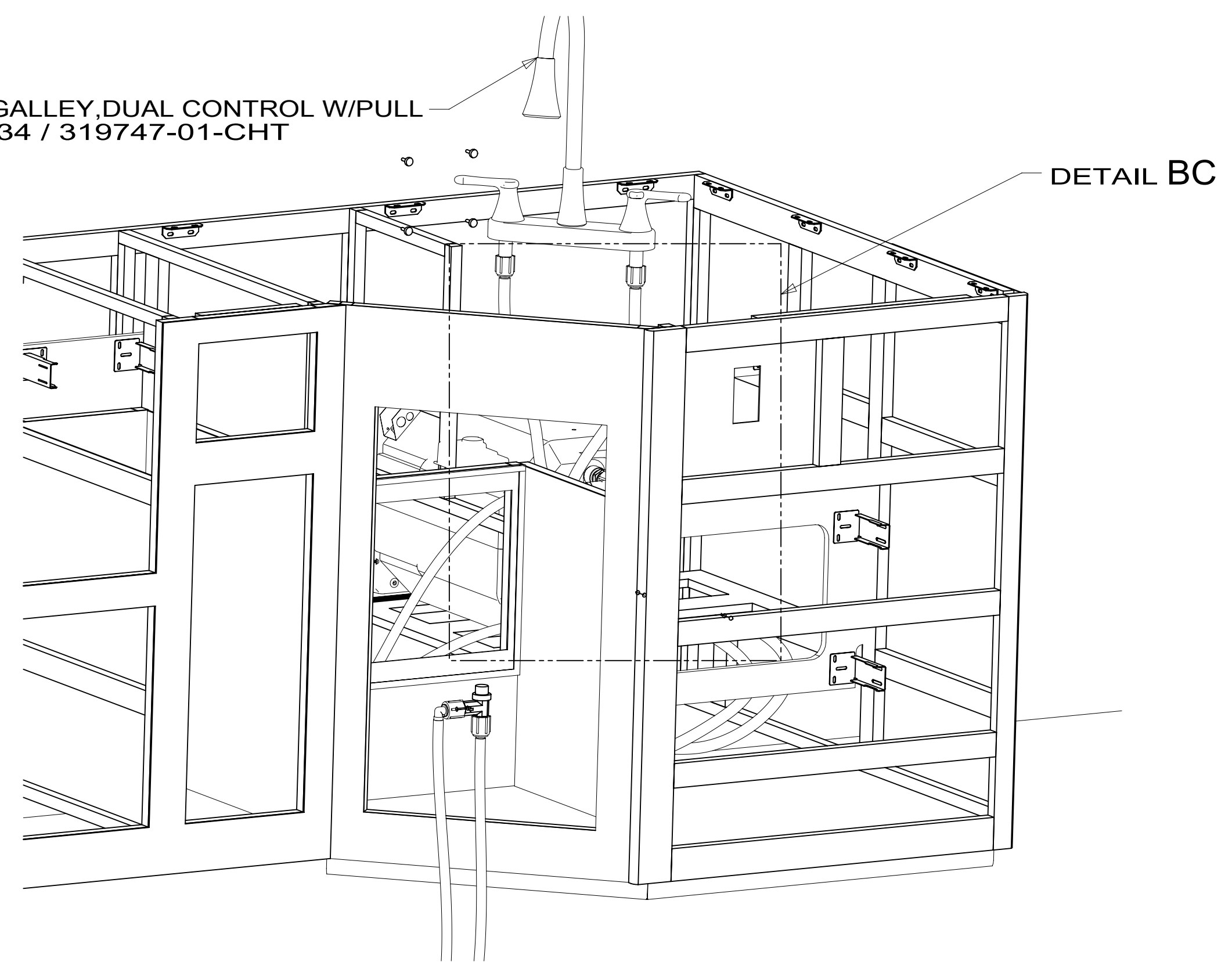
FOR WATER CALLOUTS SEE DWG NO. 000209446 / 303369-01-000

WINNEBAGO COPYRIGHT 2018 WINNEBAGO INDUSTRIES, INC.		ALL DIMENSIONS ARE IN MILLIMETERS	MATERIAL:
DSNR:			
DIFTR:			
UNSPECIFIED TOLERANCES:			
WHOLE DIM (X)	3		
ONE-PLACE (X.X)	1.5		
TWO-PLACE (X.XX)	0.50		
ANGLE	1°		
REFER TO ES0018 FOR FASTENER TIGHTENING GUIDELINES	WEIGHT: (LBS)	FIRST USED: (REF)	
	-	18 V29L	
DESCRIPTION: WATER SYSTEM INSTL			
SHEET: 1 OF 4	ITEM/PART NO: 000119952 / 32265301000	REV:	
REF:		1	13-Apr-2018

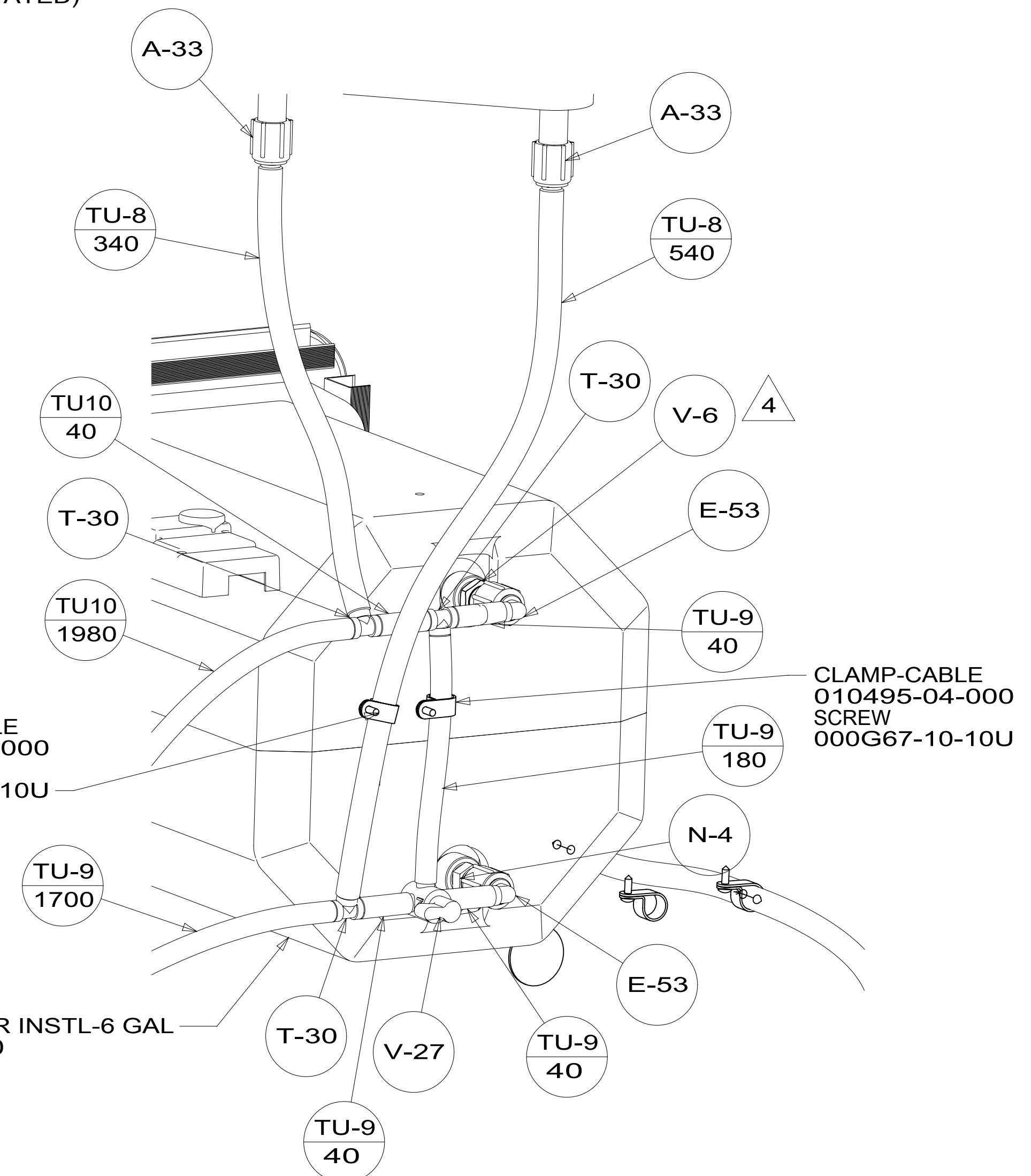


SECTION BD-BD
(ROTATED)

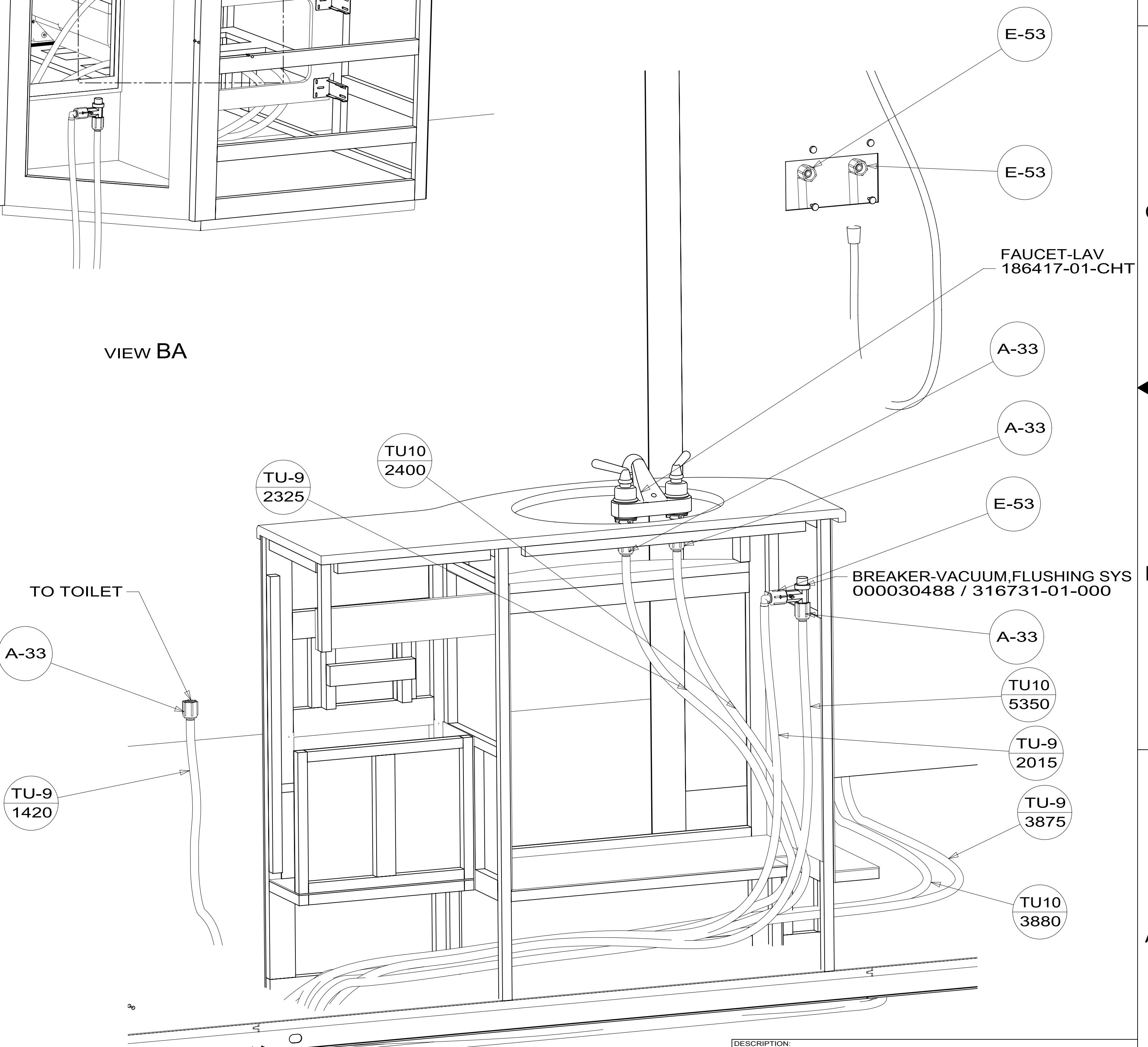
FAUCET-GALLEY, DUAL CONTROL W/PULL
000041434 / 319747-01-CHT



VIEW BA

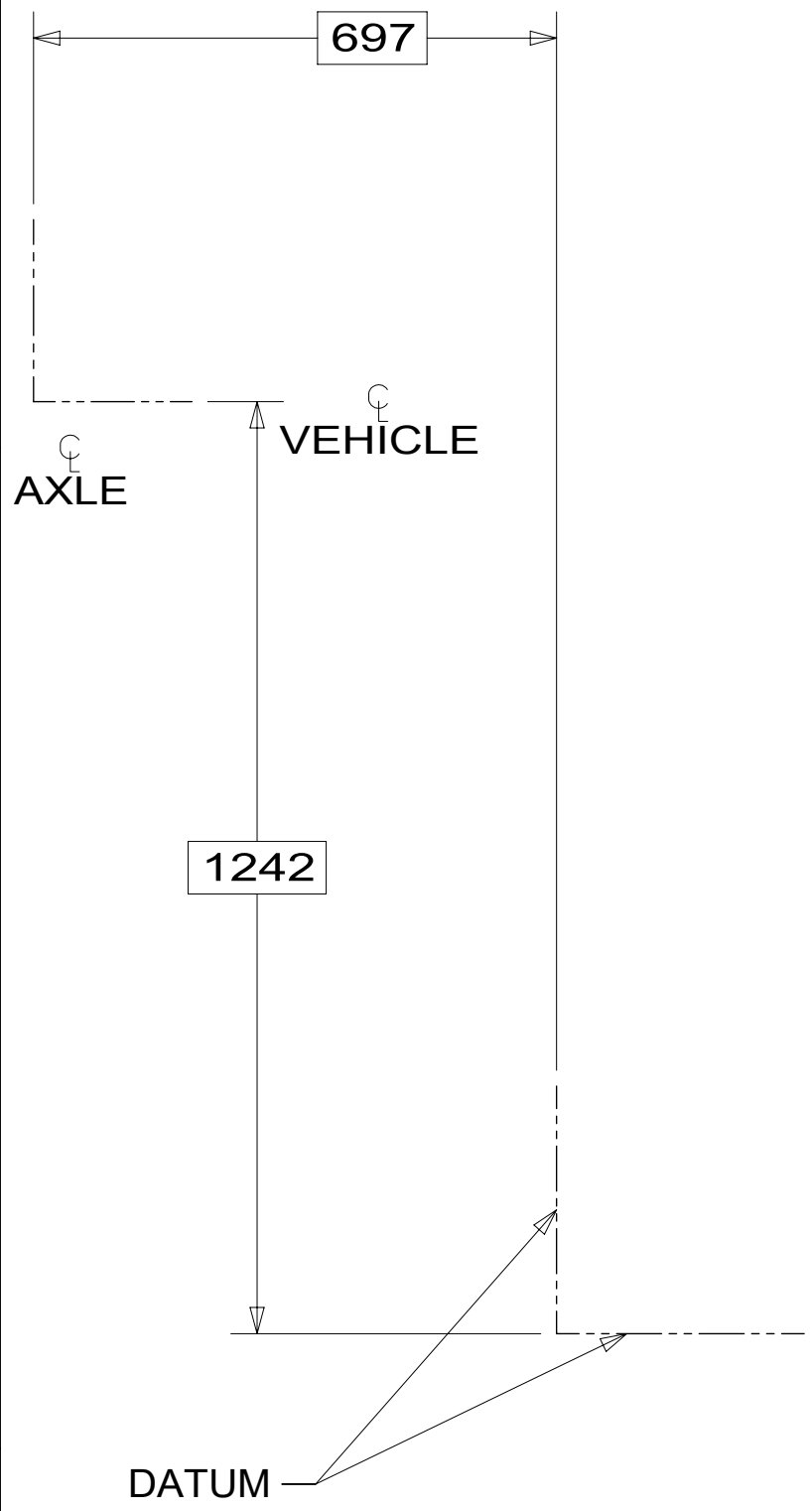
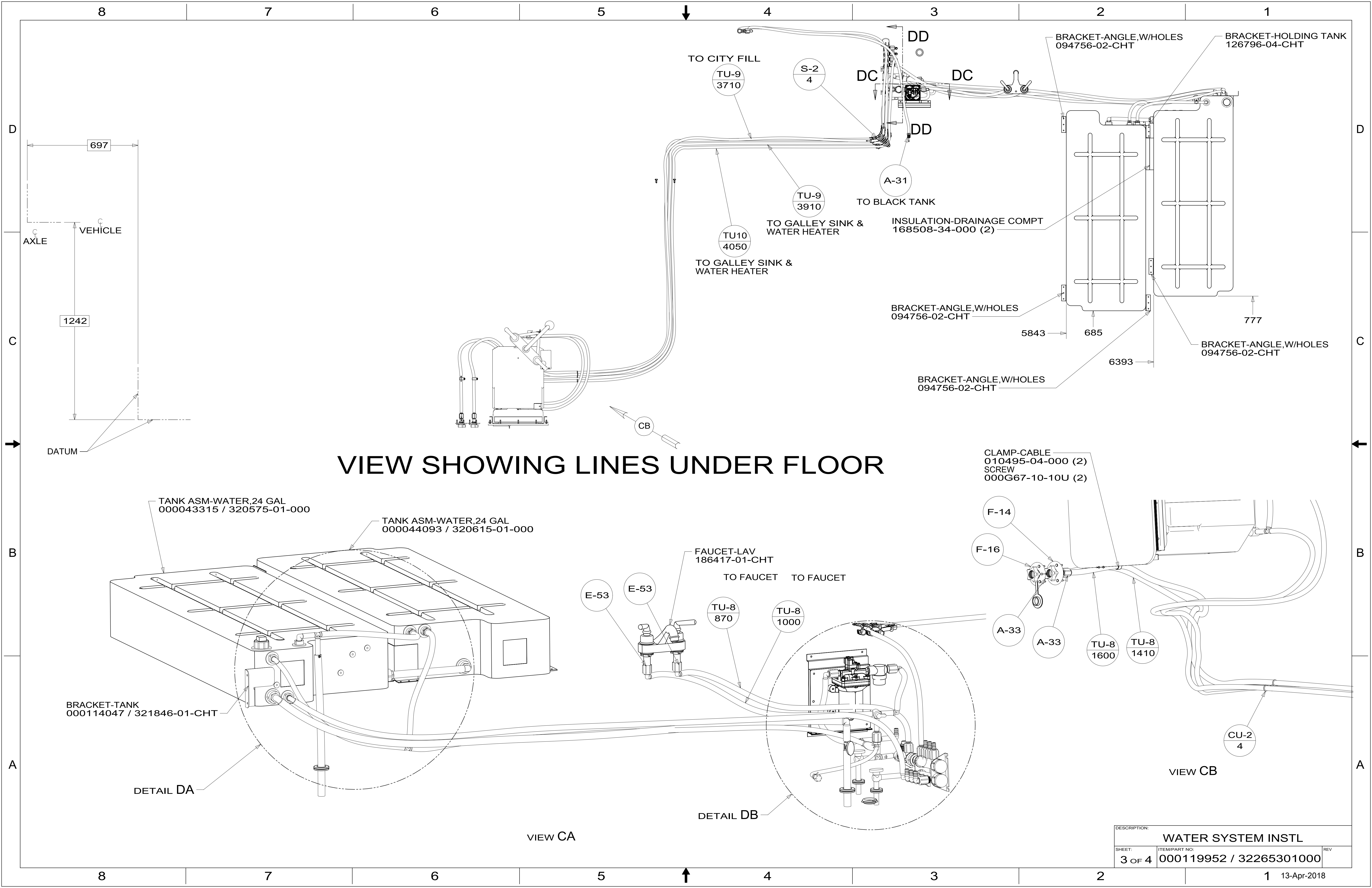


DETAIL BC

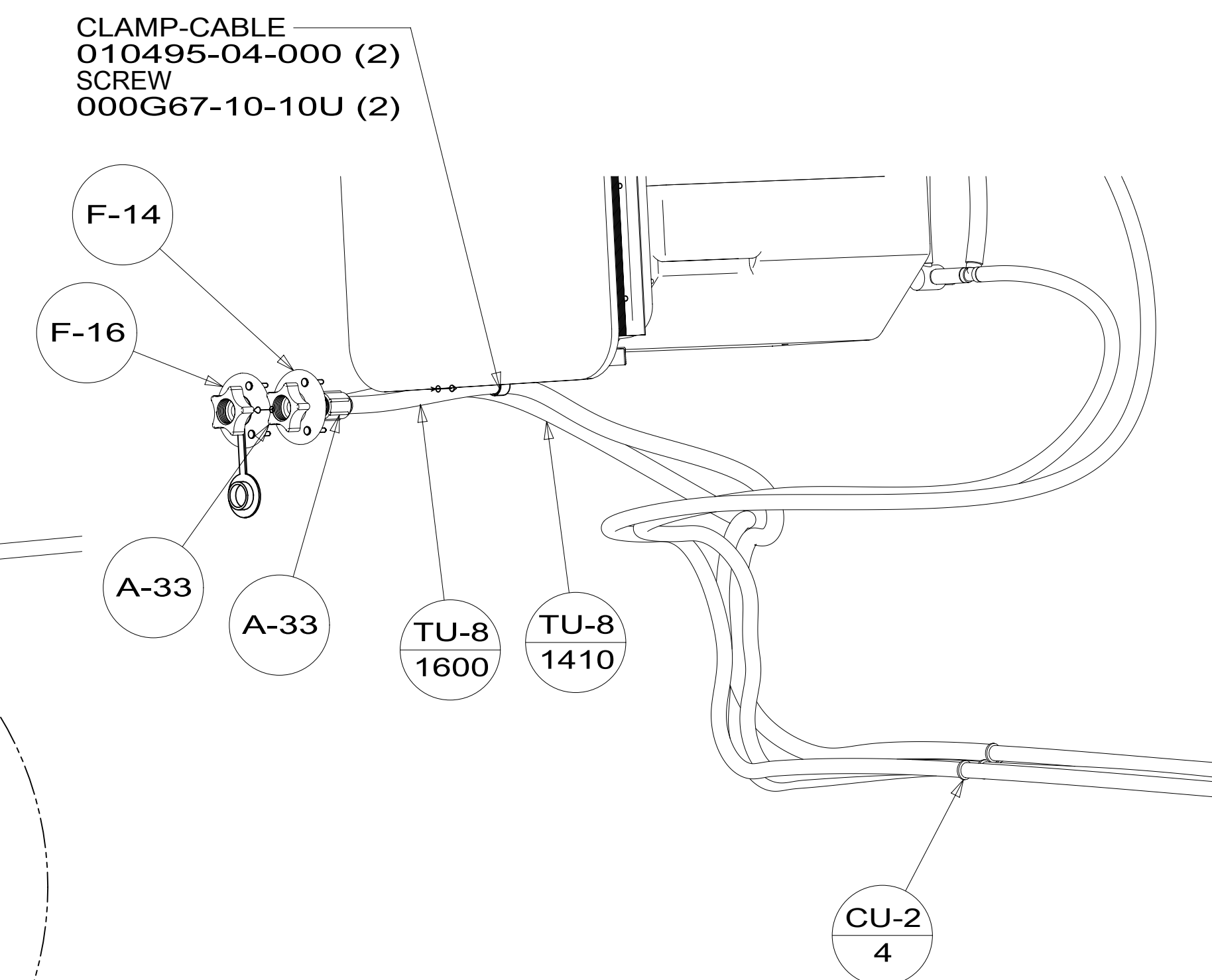
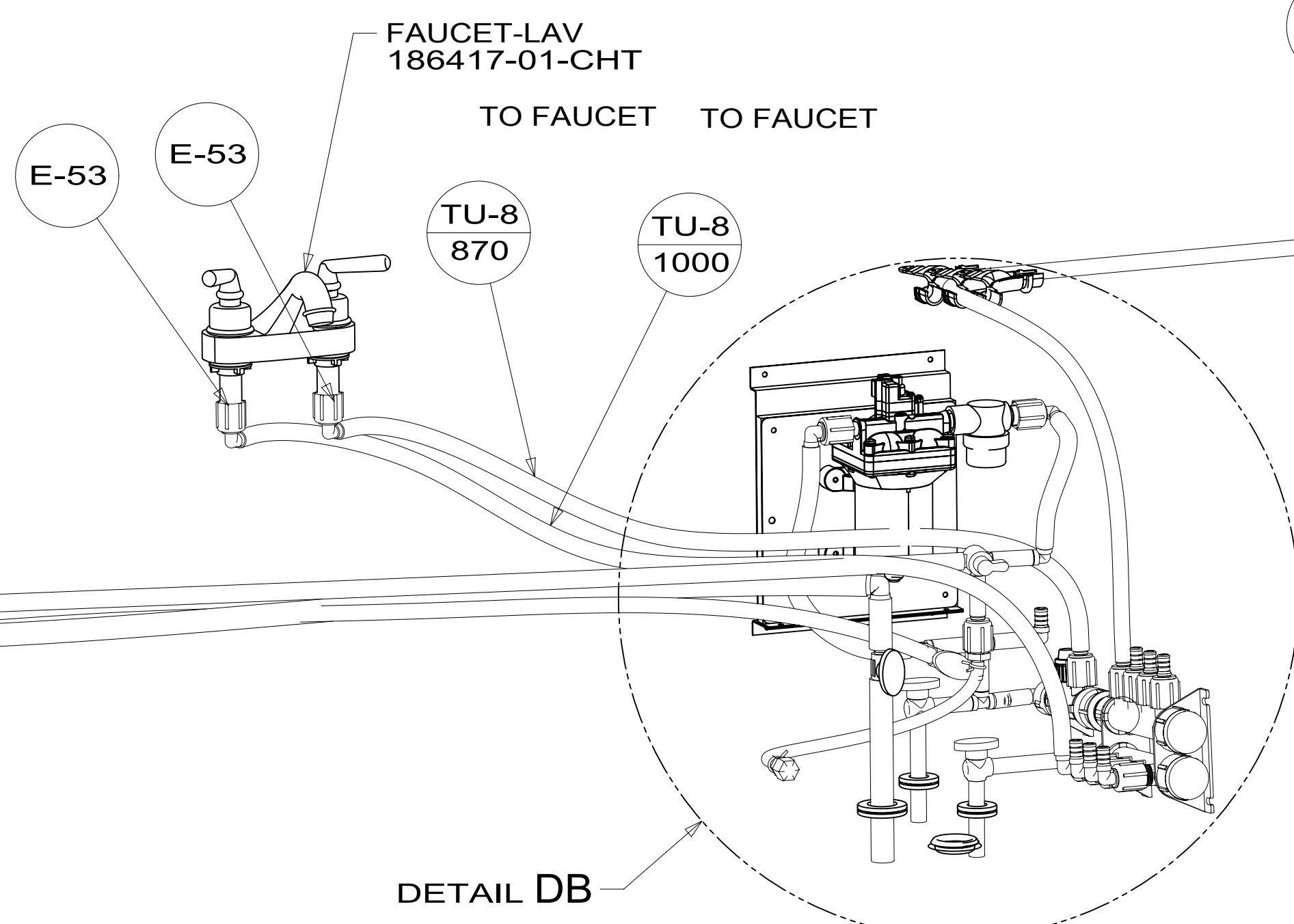
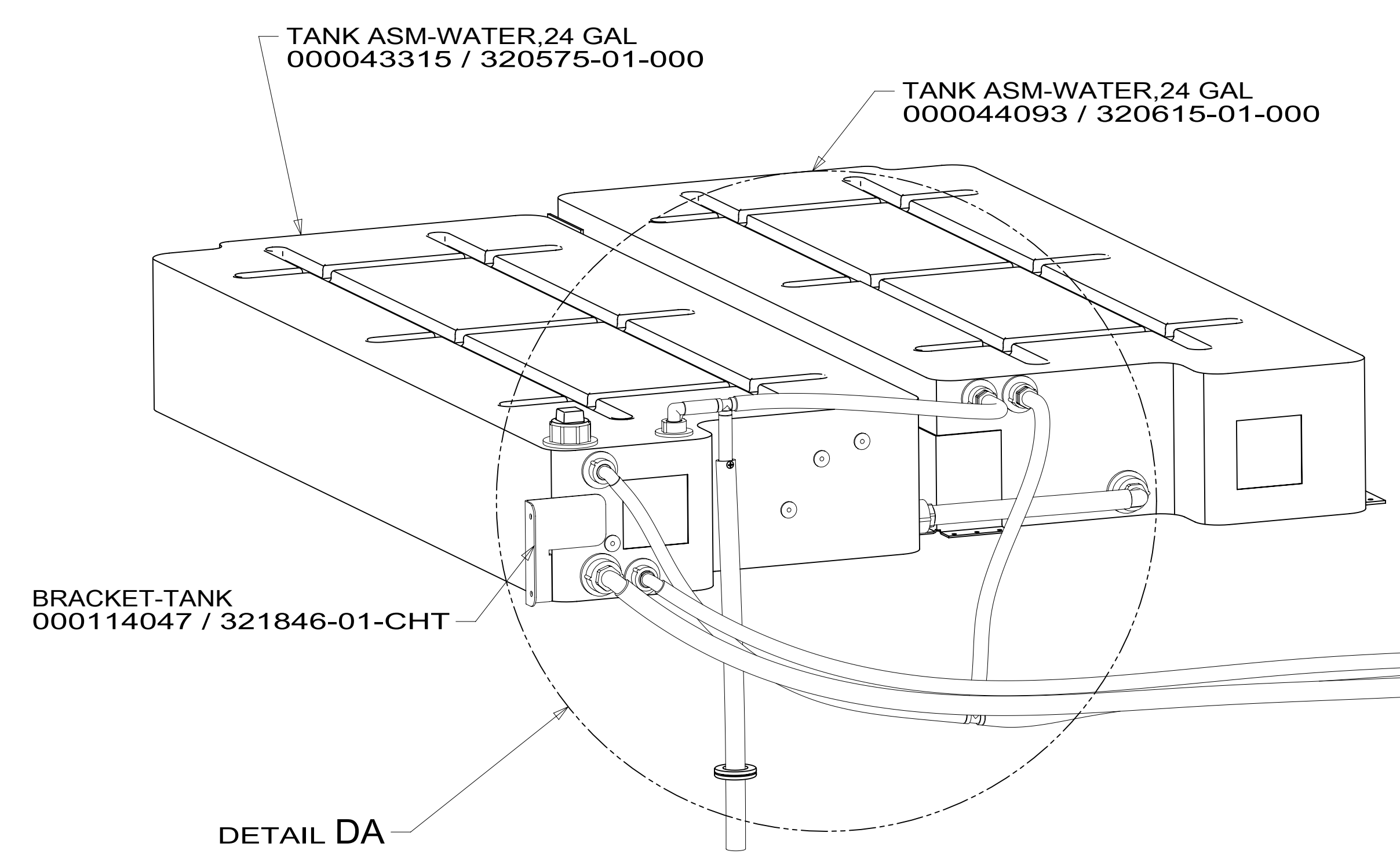


VIEW BB

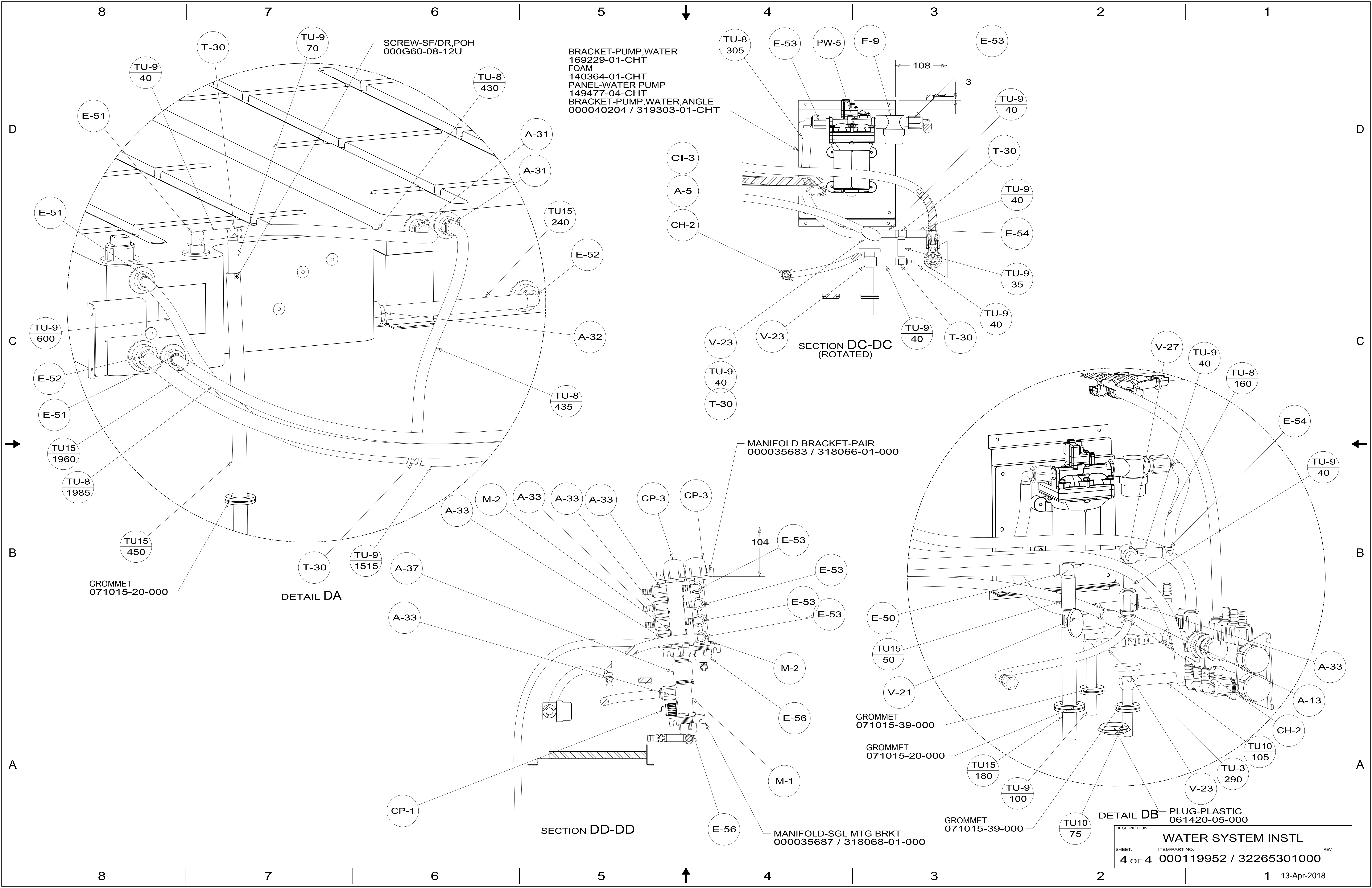
DESCRIPTION:		
WATER SYSTEM INSTL		
SHEET:	ITEM/PART NO:	REV
2 OF 4	000119952 / 32265301000	



VIEW SHOWING LINES UNDER FLOOR



DESCRIPTION:		
WATER SYSTEM INSTL		
SHEET:	ITEM/PART NO:	REV
3 OF 4	000119952 / 32265301000	



BRACKET-PUMP, WATER
 169229-01-CHT
 FOAM
 140364-01-CHT
 PANEL-WATER PUMP
 149477-04-CHT
 BRACKET-PUMP, WATER, ANGLE
 000040204 / 319303-01-CHT

SECTION DC-DC
 (ROTATED)

MANIFOLD BRACKET-PAIR
 000035683 / 318066-01-000

GROMMET
 071015-20-000

GROMMET
 071015-39-000

GROMMET
 071015-20-000

GROMMET
 071015-39-000

SECTION DD-DD

MANIFOLD-SGL MTG BRKT
 000035687 / 318068-01-000

DETAIL DA

DETAIL DB

PLUG-PLASTIC
 061420-05-000

DESCRIPTION:		
WATER SYSTEM INSTL		
SHEET:	ITEM/PART NO:	REV
4 OF 4	000119952 / 32265301000	