

WIRE ASM-GROUND EFFECT LIGHTING
000120778 / 322835-01-000

- NOTES:
- 4 CLIPS TO BE EQUALLY SPACED ALONG LED STRIP. CENTER CLIPS BETWEEN INDIVIDUAL LEDS.
 - 3 PLUG AMP INPUT INTO ZONE 2 OUTPUT FROM CONTROLLER.
 - 2. CLAMP WIRE ASM-GROUND EFFECT LIGHTING ALONG WITH WIRE ASM-CHASSIS WHERE APPLICABLE. USE TIE-WIRE 8343-04-000 TO SECURE WIRES TO FLOOR SUPPORT FRAME AT LEAST ONCE EVERY 600MM ALL OTHER PLACES.
 - 1 REST WIRE IN FRAME RAIL WHEN APPLICABLE.

FOR ELECTRICAL TORQUE SPECIFICATIONS SEE DWG NO. 128783-01-000

FOR ELECTRICAL CALLOUTS SEE DWG NO. 121339-01-000

265 CODES/STANDARDS-CSA/CMVSS
1B1 CODES/STANDARDS USA

1B1 265

WINNEBAGO
COPYRIGHT 2016 WINNEBAGO INDUSTRIES, INC.

DSNR:	ALL DIMENSIONS ARE IN MILLIMETERS	
DIFFR:		
UNSPECIFIED TOLERANCES:		
WHOLE DIM (X)	± 3	
ONE-PLACE (X.X)	± 1.5	
TWO-PLACE (X.XX)	± 0.50	
ANGLE	± 1°	
REFER TO ES0018 FOR FASTENER TIGHTENING GUIDELINES	WEIGHT: (LBS)	FIRST USED: 18 L38F
DESCRIPTION: WIRING INSTL-LIGHTING,GROUND EFFECTS		
SHEET: 1 OF 3	ITEM/PART NO: 000118651 / 32245901000	REV

REF: 1 13-Feb-2018

8 7 6 5 4 3 2 1

D

D

C

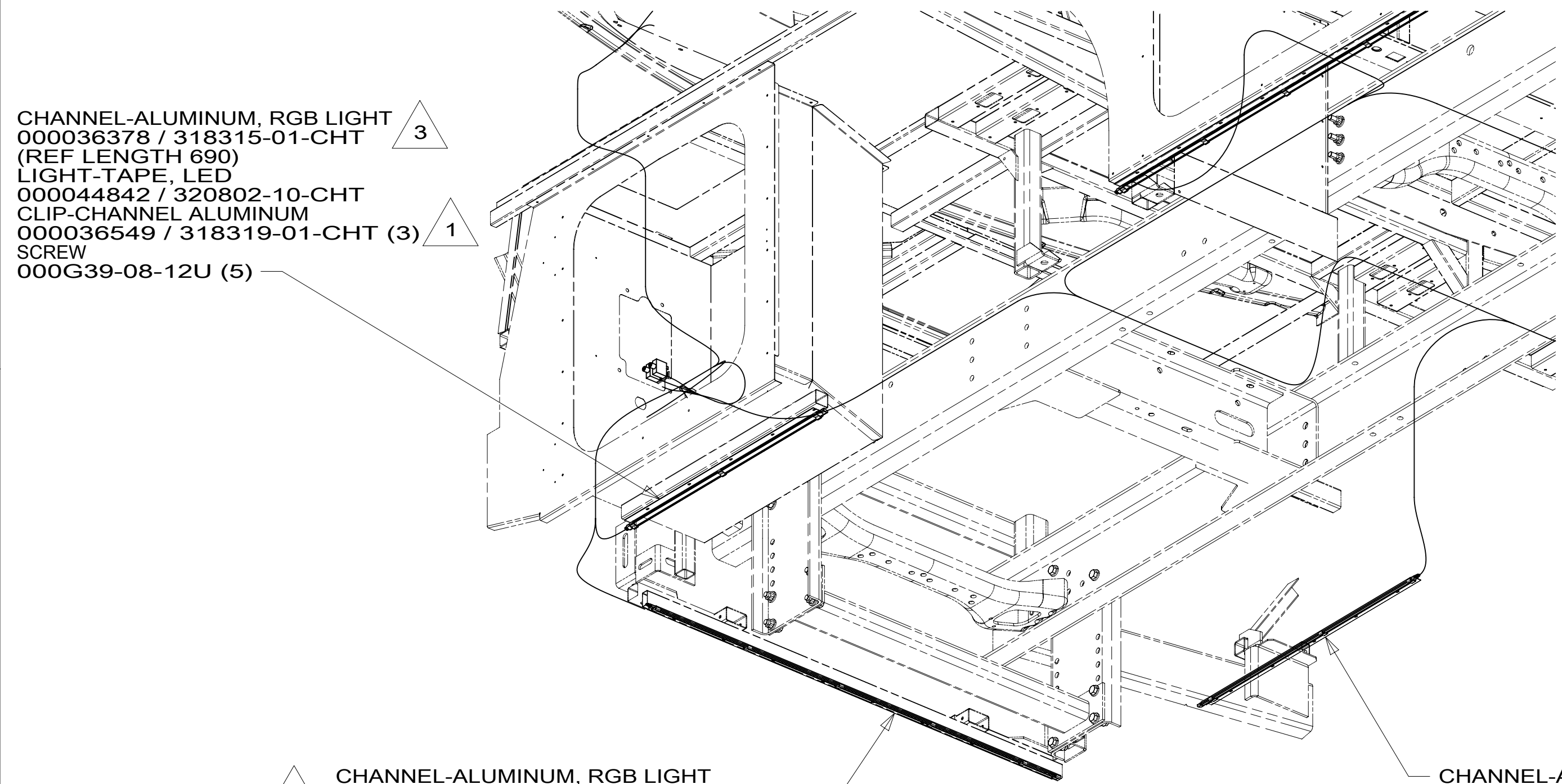
C

B

B

A

A

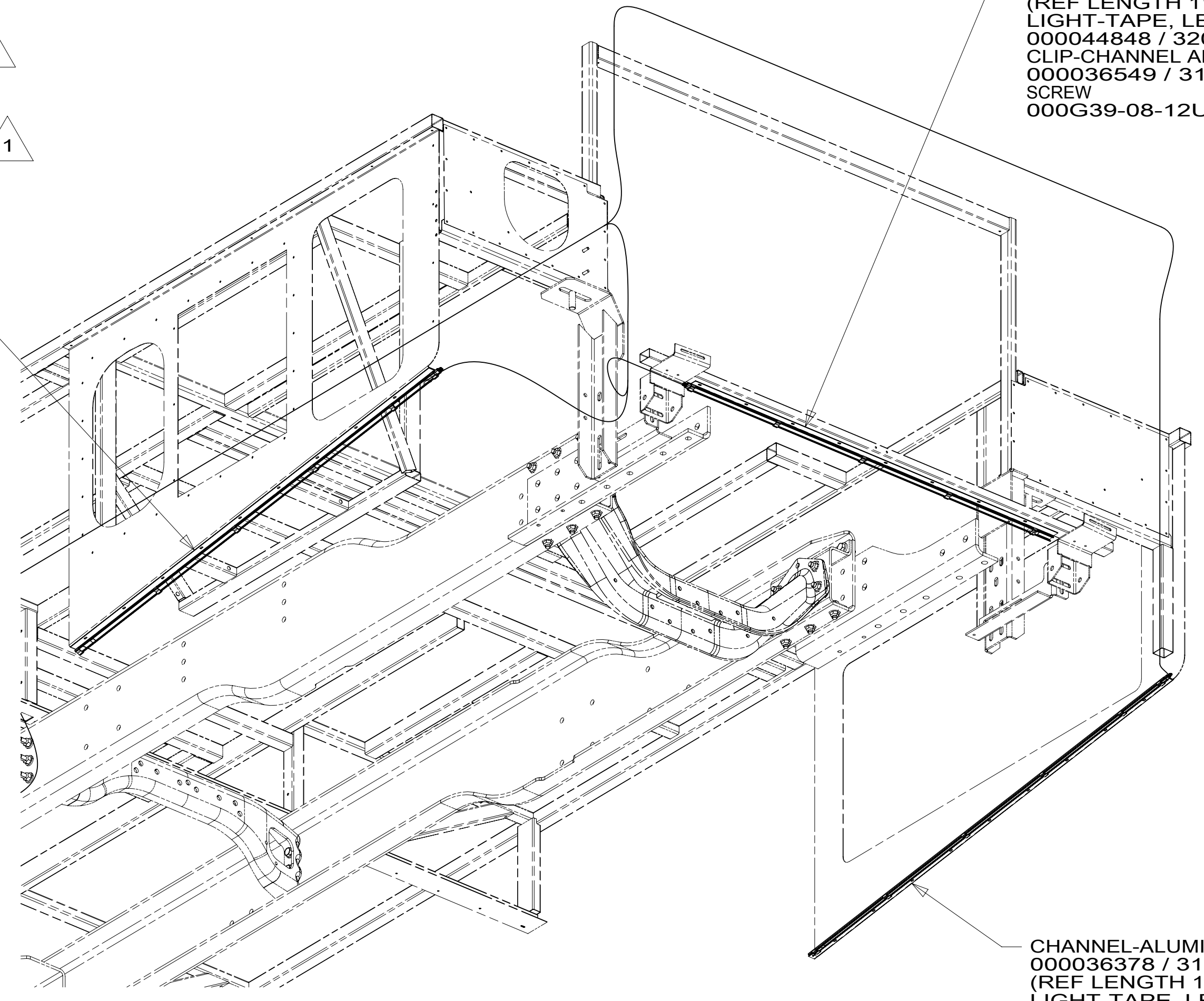


CHANNEL-ALUMINUM, RGB LIGHT
000036378 / 318315-01-CHT
(REF LENGTH 690)
LIGHT-TAPE, LED
000044842 / 320802-10-CHT
CLIP-CHANNEL ALUMINUM
000036549 / 318319-01-CHT (3) 1
SCREW
000G39-08-12U (5)

2 CHANNEL-ALUMINUM, RGB LIGHT
000036378 / 318315-01-CHT
(REF LENGTH 1242)
LIGHT-TAPE, LED
000044849 / 320802-17-CHT
CLIP-CHANNEL ALUMINUM
000036549 / 318319-01-CHT (6) 1
SCREW
000G39-08-12U (8)

CHANNEL-ALUMINUM, RGB LIGHT
000036378 / 318315-01-CHT
(REF LENGTH 1400)
LIGHT-TAPE, LED
000044851 / 320802-19-CHT
CLIP-CHANNEL ALUMINUM
000036549 / 318319-01-CHT (6) 1
SCREW
000G39-08-12U (9) 2

CHANNEL-ALUMINUM, RGB LIGHT
000036378 / 318315-01-CHT
(REF LENGTH 765)
LIGHT-TAPE, LED
000044843 / 320802-11-CHT
CLIP-CHANNEL ALUMINUM
000036549 / 318319-01-CHT (3) 1
SCREW
000G39-08-12U (5) 3



CHANNEL-ALUMINUM, RGB LIGHT
000036378 / 318315-01-CHT
(REF LENGTH 1188)
LIGHT-TAPE, LED
000044848 / 320802-16-CHT
CLIP-CHANNEL ALUMINUM
000036549 / 318319-01-CHT (6) 1
SCREW
000G39-08-12U (9) 2

CHANNEL-ALUMINUM, RGB LIGHT
000036378 / 318315-01-CHT
(REF LENGTH 1400)
LIGHT-TAPE, LED
000044851 / 320802-19-CHT
CLIP-CHANNEL ALUMINUM
000036549 / 318319-01-CHT (6) 1
SCREW
000G39-08-12U (9) 2

VIEW BA

VIEW BB

- NOTES:
- 4. CUT MOUNTING CHANNELS TO LEAVE 3-7MM GAPS AT BOTH ENDS.
 - 3. ALIGN WITH REAR FACE OF MOUNTING SURFACE.
 - 2. CENTER ALUMINUM CHANNEL(S) ON MOUNTING SURFACE.
 - 1. CLIPS TO BE EQUALLY SPACED ALONG LED STRIP. CENTER CLIPS BETWEEN INDIVIDUAL LEDS.

265 CODES/STANDARDS-CSA/CMVSS
1B1 CODES/STANDARDS USA

FOR ELECTRICAL TORQUE SPECIFICATIONS SEE DWG NO. 128783-01-000

FOR ELECTRICAL CALLOUTS SEE DWG NO. 121339-01-000

DESCRIPTION:	
WIRING INSTL-LIGHTING,GROUND EFFECTS	
SHEET:	ITEM/PART NO. REV
2 OF 3	000118651 / 32245901000

8 7 6 5 4 3 2 1 13-Feb-2018

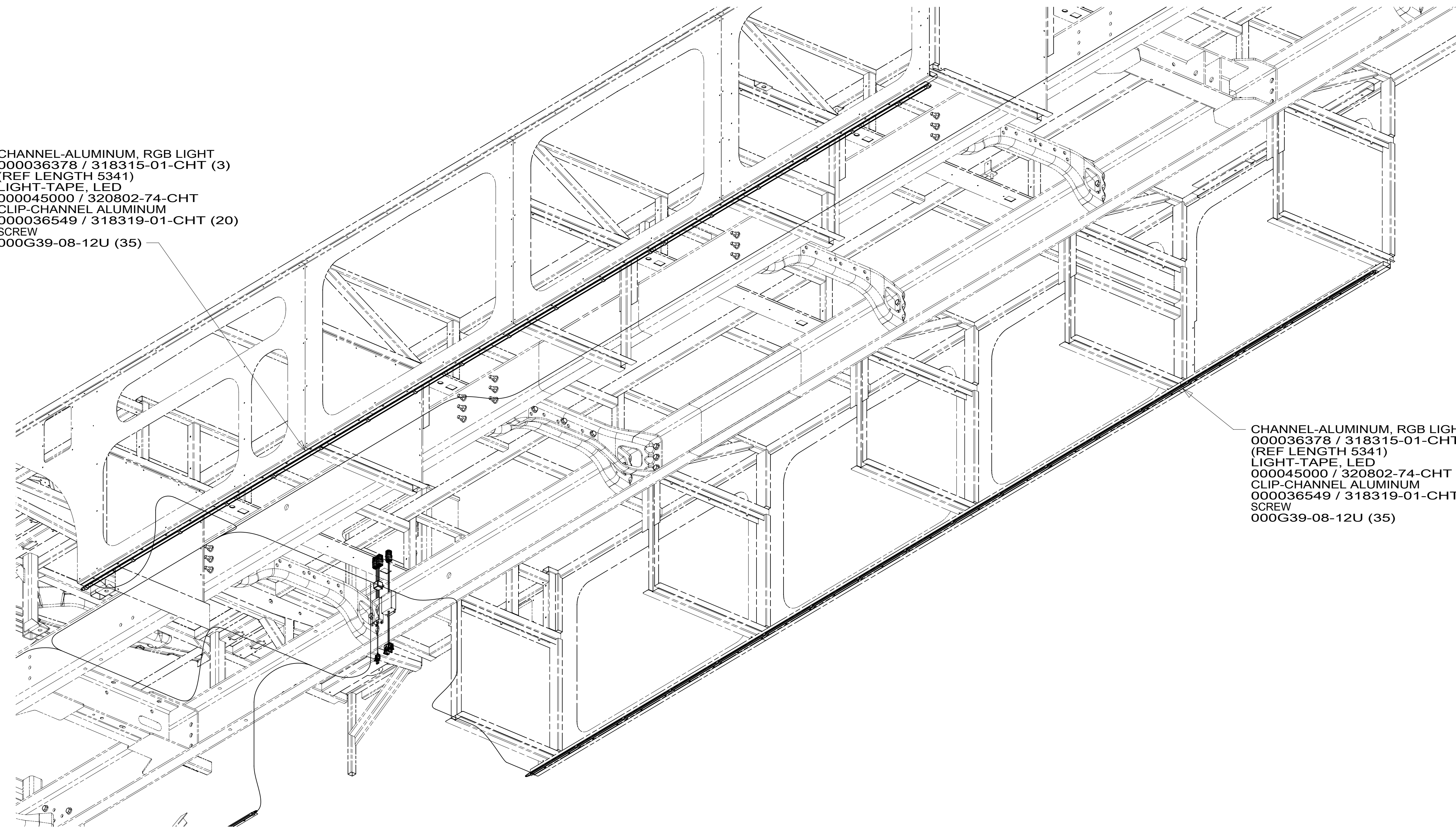
8 7 6 5 4 3 2 1

D
C
B
A

D
C
B
A

2 CHANNEL-ALUMINUM, RGB LIGHT
000036378 / 318315-01-CHT (3)
(REF LENGTH 5341)
LIGHT-TAPE, LED
000045000 / 320802-74-CHT
1 CLIP-CHANNEL ALUMINUM
000036549 / 318319-01-CHT (20)
SCREW
000G39-08-12U (35)

CHANNEL-ALUMINUM, RGB LIGHT 2
000036378 / 318315-01-CHT (3)
(REF LENGTH 5341)
LIGHT-TAPE, LED
000045000 / 320802-74-CHT
CLIP-CHANNEL ALUMINUM 1
000036549 / 318319-01-CHT (19)
SCREW
000G39-08-12U (35)



VIEW CA

- NOTES:
- 3. CUT MOUNTING CHANNELS TO LEAVE 3-7MM GAPS AT ENDS.
 - 2 CENTER ALUMINUM CHANNELS ON MOUNTING SURFACE.
 - 1 CLIPS TO BE EQUALLY SPACED ALONG LED STRIP. CENTER CLIPS BETWEEN INDIVIDUAL LEDS.

265 CODES/STANDARDS-CSA/CMVSS
1B1 CODES/STANDARDS USA

FOR ELECTRICAL TORQUE SPECIFICATIONS SEE DWG NO. 128783-01-000

FOR ELECTRICAL CALLOUTS SEE DWG NO. 121339-01-000

DESCRIPTION:	
WIRING INSTL-LIGHTING,GROUND EFFECTS	
SHEET:	ITEM/PART NO. REV
3 OF 3	000118651 / 32245901000

8 7 6 5 4 3 2 1 13-Feb-2018