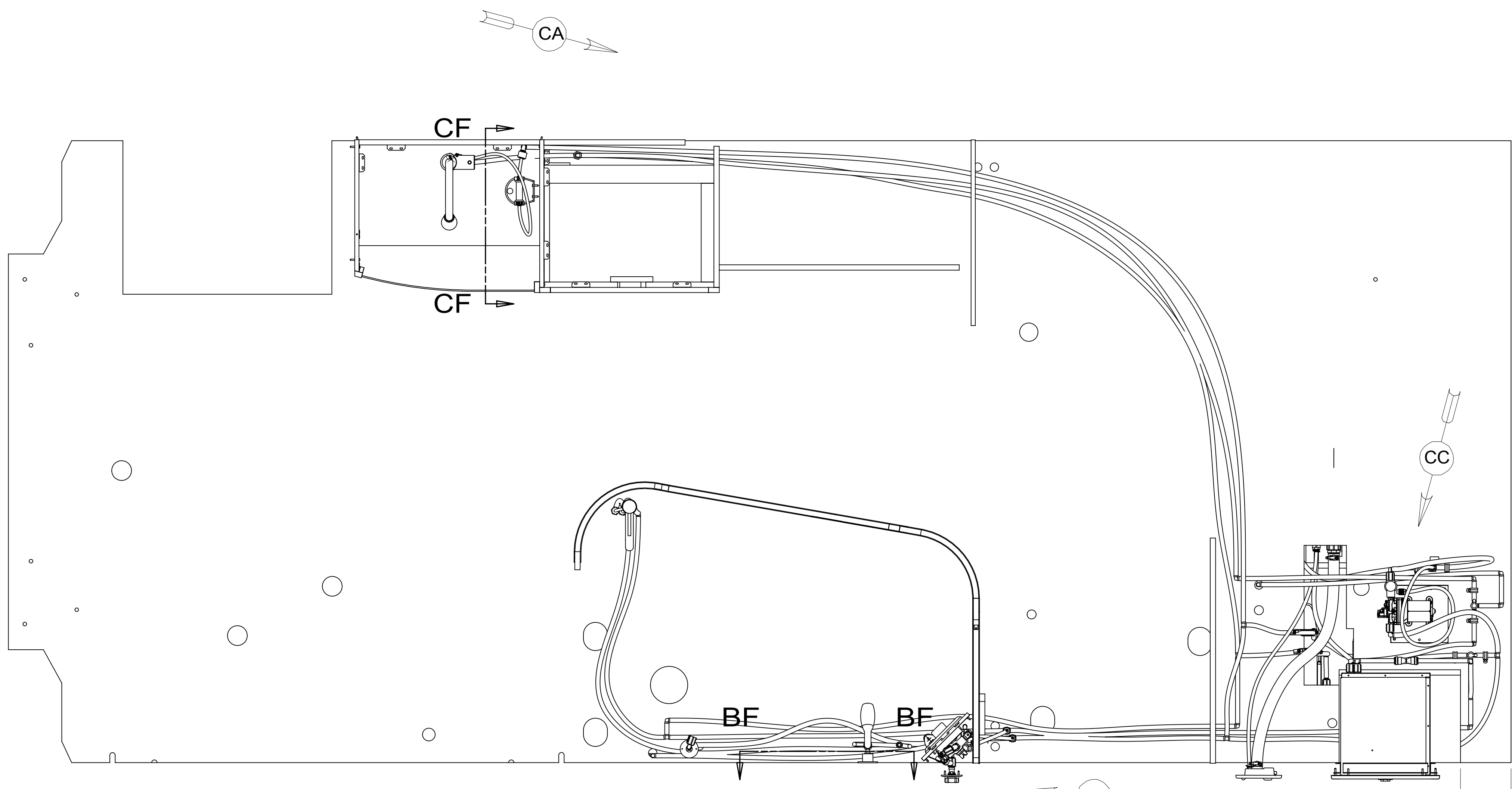


REV	ZONE	REVISION RECORD	DATE	DFTR-ORIG
A	---	INITIAL RELEASE	05/16/17	9080-7487
B	SHT4	SH-2 WAS SH-1 CHG PANEL	06/05/17	9080-1600
C	SHT3	323557-01-CHT WAS 185364-01-CHT	06/27/17	9080-4373
D	SHT3	REPL. GALLEY FAUCET. REMOVE CABLE FROM WATER HEATER INSTL	08/28/17	7941
E	SHT2	CHG FAUCET AND TRIM KIT	09/01/17	9080-1600
F	SHT3	UPDATED PANEL	10-02-17	0626-4373
G	S3B7	ADD E-9 TO GALLEY FAUCET	10/04/17	3660
H	SHT3	CHG FILTER AREA	11/17/17	9080-4373
J	---	UPDATE	01/16/18	9080-1600
K	---	ADDED SHOWER HEAD	04-27-18	0626-6437
L	S2	BLK TANK FLUSH SYS CHANGE	7-18-18	3699
M	SHT2	REPLACE VACCUM BREAKER WITH V-7	8/3/18	2803
N		CANCELLED REV		
P	SHT2	UPDATE LENGTH OF LINE BY CHECK VALVE	8/14/18	2803



FRONT OF COACH

- 11 GALLEY FAUCET TO BE INSTALLED SO THE ON/OFF HANDLE CLEARS WINDOW SHADE.
- 10 INSTALL BYPASS FOR SYSTEM TESTING AND SHIPPING.
- 9. ALL CRIMP FITTINGS TO PEX TUBING REQUIRE 5/8" CLAMP 000156248 / 326669-01-000.
- 8 INSTALL BETWEEN MOUNTING PLATE AND RETAINING NUTS.
- 7 LAVATORY FAUCET SPOUT TO BE TURNED 180 DEGREES SO THE ON/OFF HANDLE IS FACING TOWARD THE SHOWER.
- 6 INSTALL CONNECTOR WITH TAPERED END AWAY FROM FAUCET.
- 5 ADD PIPE WRAP (LADDER SCRAP 110157-02-000) INSULATION.
- 4 ADD TEFLON TAPE 010405-01-000.
- 3. ALL TUBING TO BE SECURED AT 1200 INTERVALS MAXIMUM WITH CLAMP 010495-01-000 AND SCREW 000G67-10-12B OR EQUIVALENT.
- 2. TUBING TO BE INSTALLED WITH SUFFICIENT SLOPE TO PROVIDE DRAINAGE TO NEAREST VALVE.
- 1. PLASTIC FITTINGS TO BE SEALED WITH SEALANT 084456-01-000.

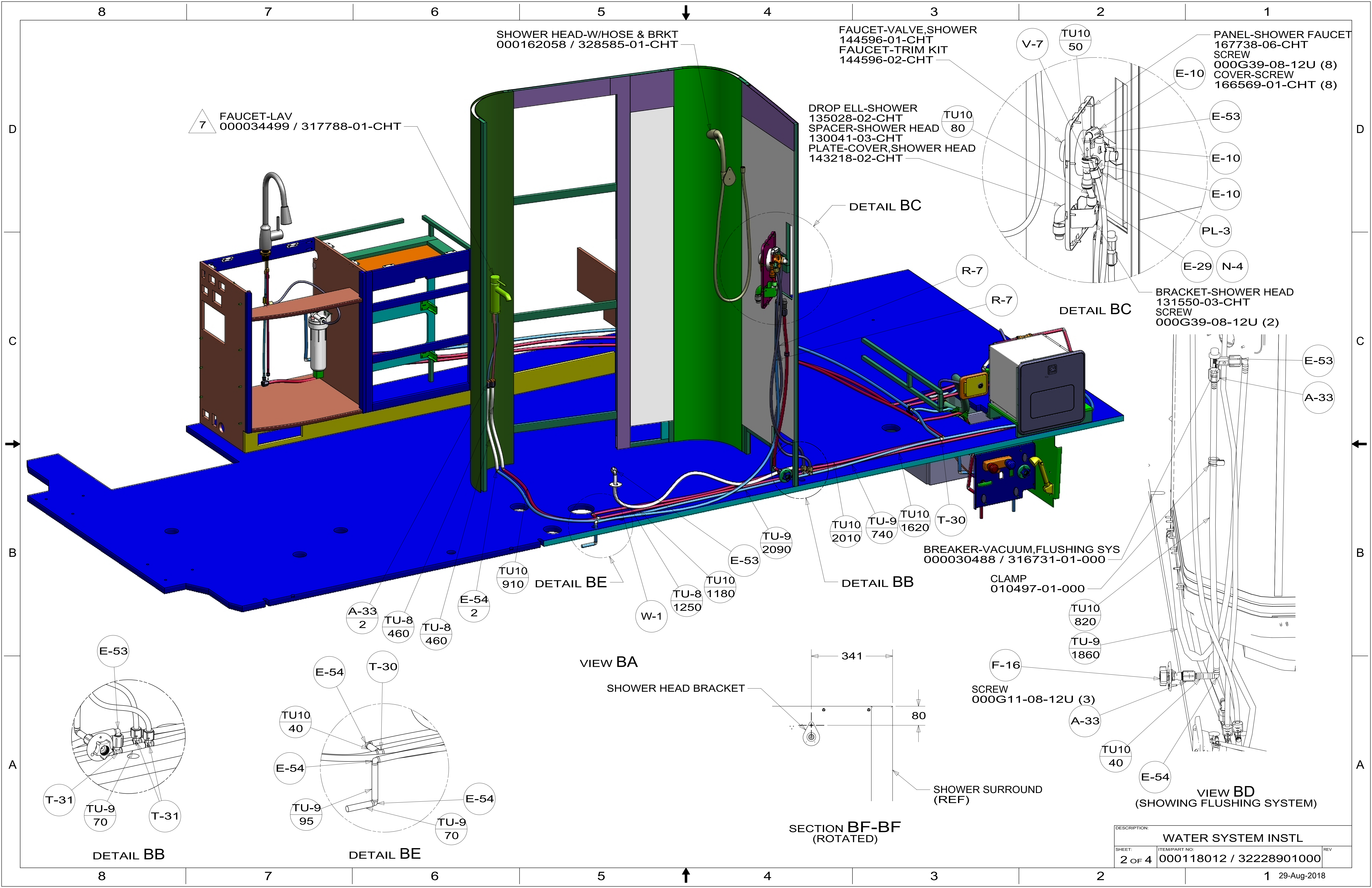
- 1BU WTR HTR TKLS W/RECIRCUL PUMP
- 1B1 CODES/STANDARDS USA
- 265 CODES/STANDARDS-CSA/CMVSS

**WINNEBAGO**  
COPYRIGHT 2018 WINNEBAGO INDUSTRIES, INC.

DSNR:	ALL DIMENSIONS ARE IN MILLIMETERS	
DFTR:		
UNSPECIFIED TOLERANCES:		MATERIAL:
WHOLE DIM (X)	3	
ONE-PLACE (X.X)	1.5	
TWO-PLACE (X.XX)	0.50	
ANGLE	1°	
REFER TO ES0018 FOR FASTENER TIGHTENING GUIDELINES	WEIGHT: (LBS)	FIRST USED: (REF)
		18 524V
DESCRIPTION: <b>WATER SYSTEM INSTL</b>		
SHEET: 1 OF 4	ITEM/PART NO: 000118012 / 32228901000	REV:

X-X  
FOR WATER CALLOUTS SEE DWG NO. 000209446 / 303369-01-000





SHOWER HEAD-W/HOSE & BRKT  
000162058 / 328585-01-CHT

FAUCET-VALVE,SHOWER  
144596-01-CHT  
FAUCET-TRIM KIT  
144596-02-CHT

7 FAUCET-LAV  
000034499 / 317788-01-CHT

PANEL-SHOWER FAUCET  
167738-06-CHT  
SCREW  
000G39-08-12U (8)  
COVER-SCREW  
166569-01-CHT (8)

DROP ELL-SHOWER  
135028-02-CHT  
SPACER-SHOWER HEAD  
130041-03-CHT  
PLATE-COVER,SHOWER HEAD  
143218-02-CHT

DETAIL BC

BRACKET-SHOWER HEAD  
131550-03-CHT  
SCREW  
000G39-08-12U (2)

BREAKER-VACUUM,FLUSHING SYS  
000030488 / 316731-01-000

CLAMP  
010497-01-000

SCREW  
000G11-08-12U (3)

VIEW BA

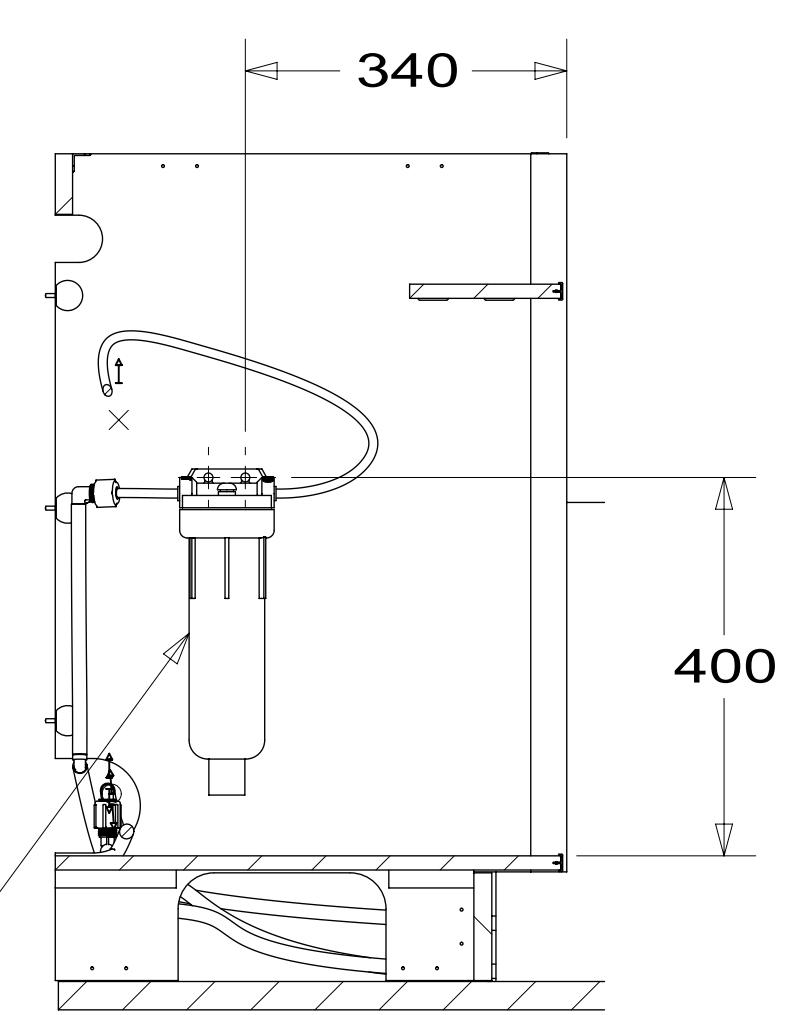
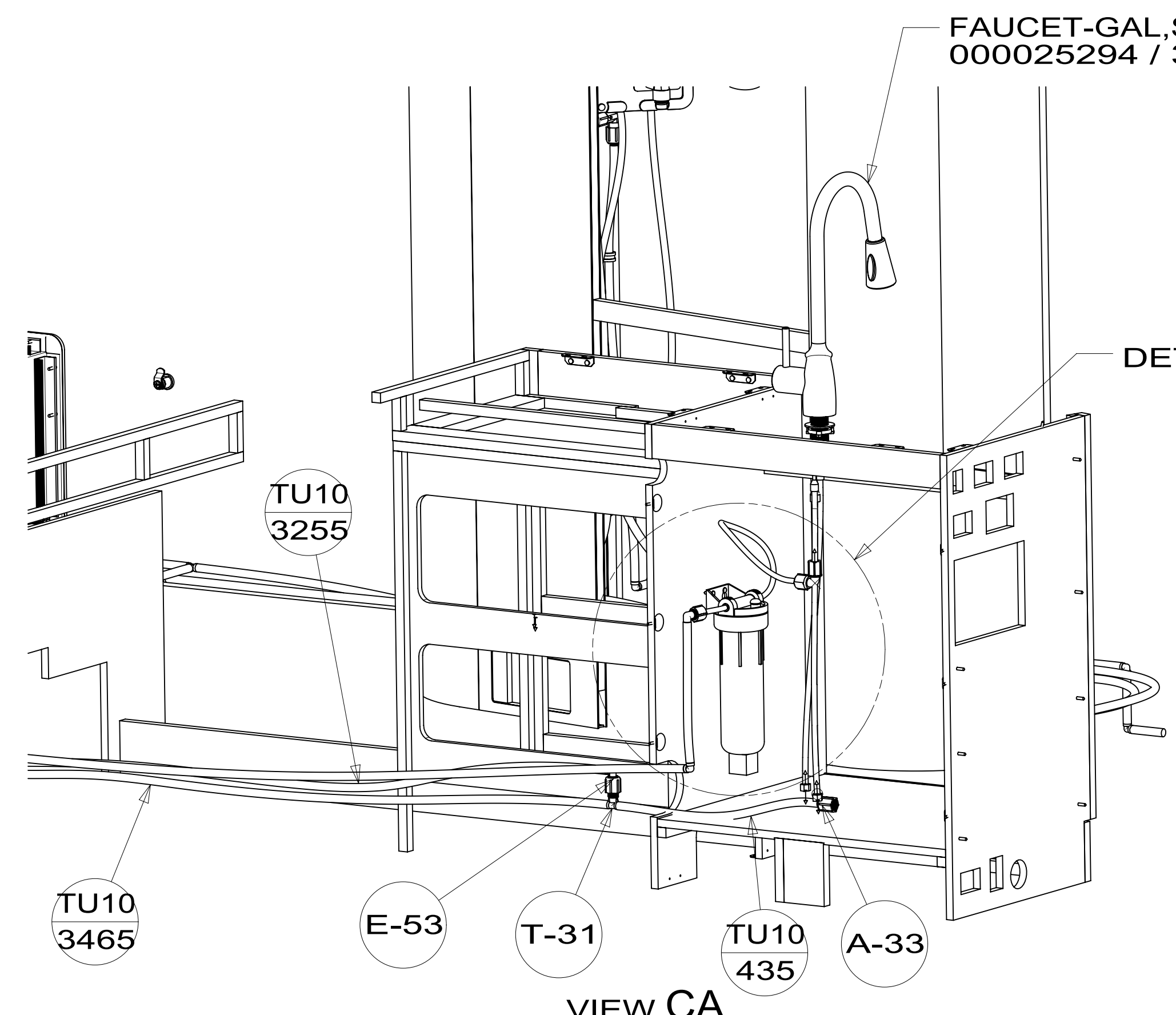
SHOWER HEAD BRACKET

SECTION BF-BF  
(ROTATED)

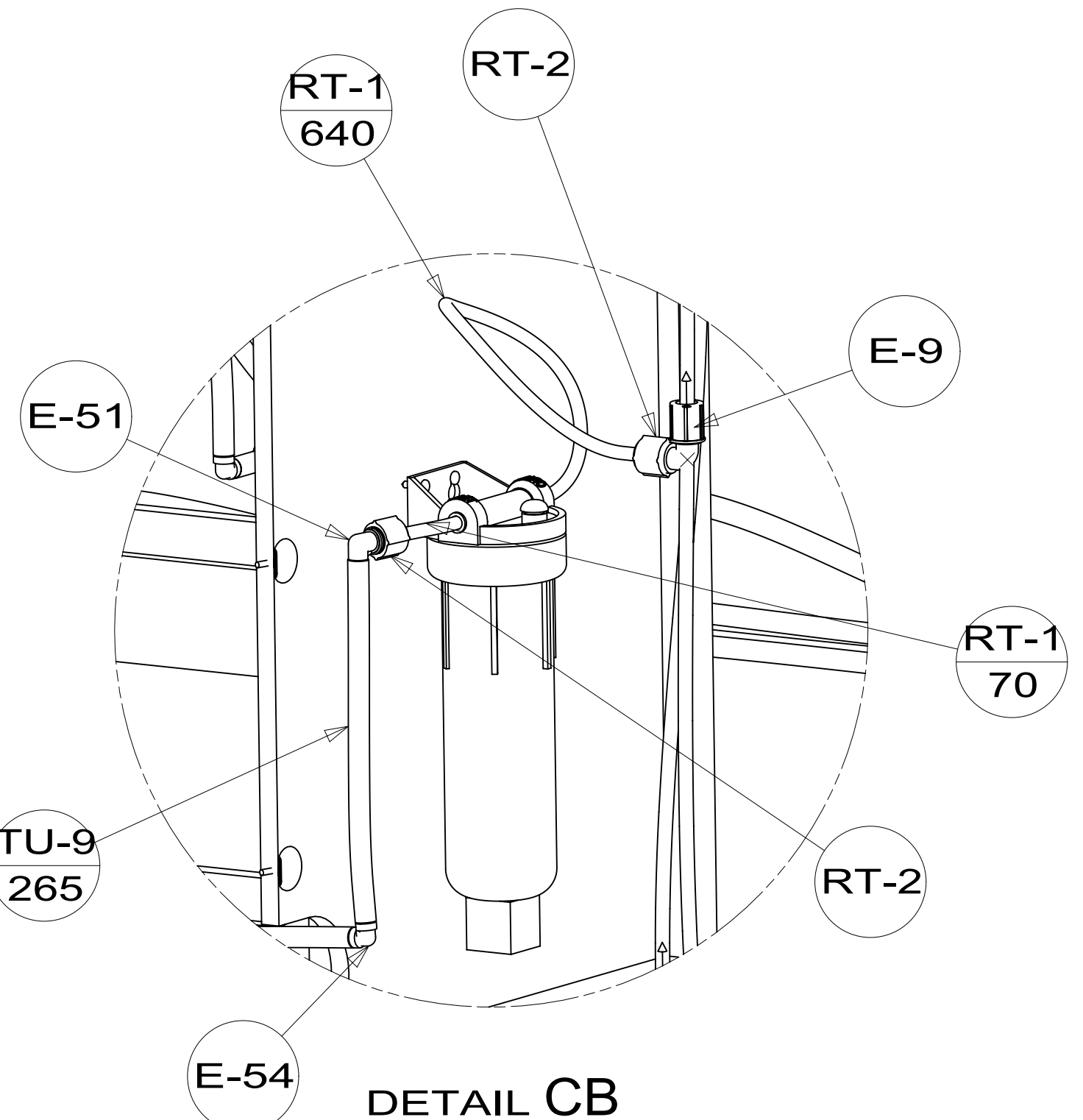
VIEW BD  
(SHOWING FLUSHING SYSTEM)

DESCRIPTION: WATER SYSTEM INSTL		
SHEET: 2 OF 4	ITEM/PART NO: 000118012 / 32228901000	REV



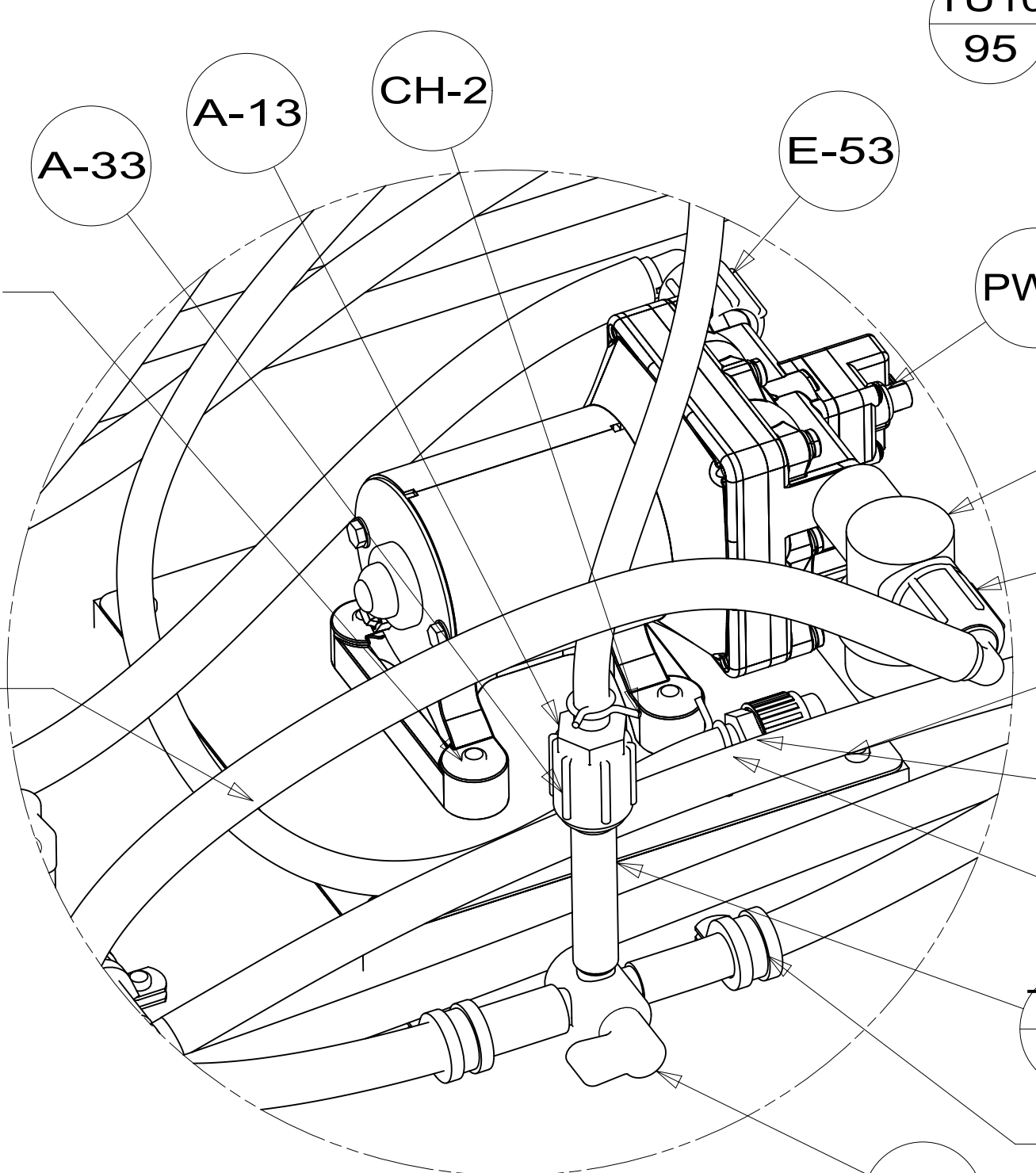


10 FILTER KIT-WATER,SINK  
000038865 / 318913-01-000  
SCREW  
000G67-10-12U(2)



SCREW-PAN,HEAD  
000G39-08-16U (4)

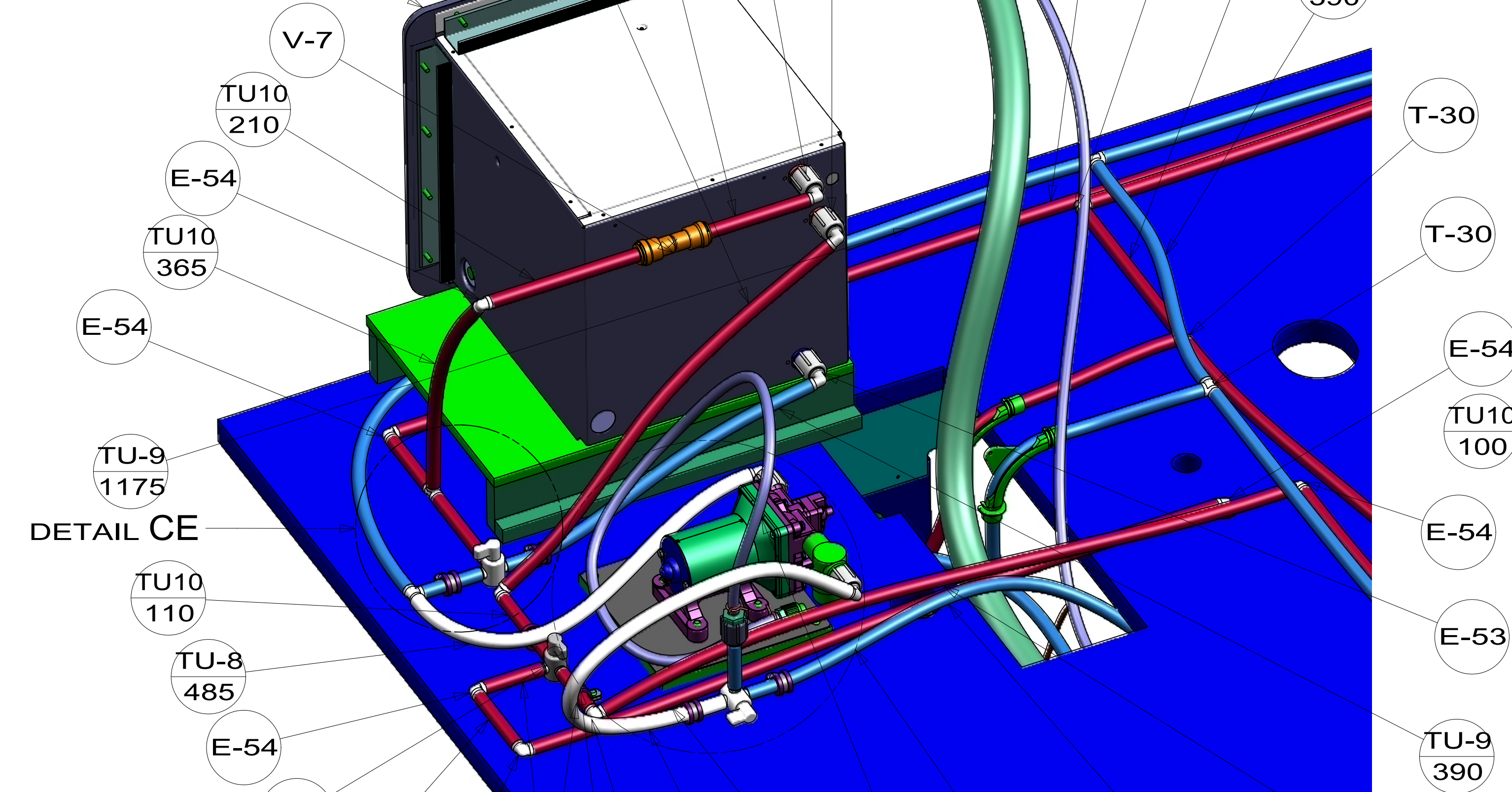
PANEL-WATER PUMP  
149477-08-CHT  
FOAM  
140364-01-CHT  
SCREW  
000G39-08-24U (4)



CLAMP  
010497-01-000(2)  
SCREW  
000G39-08-12U(2)

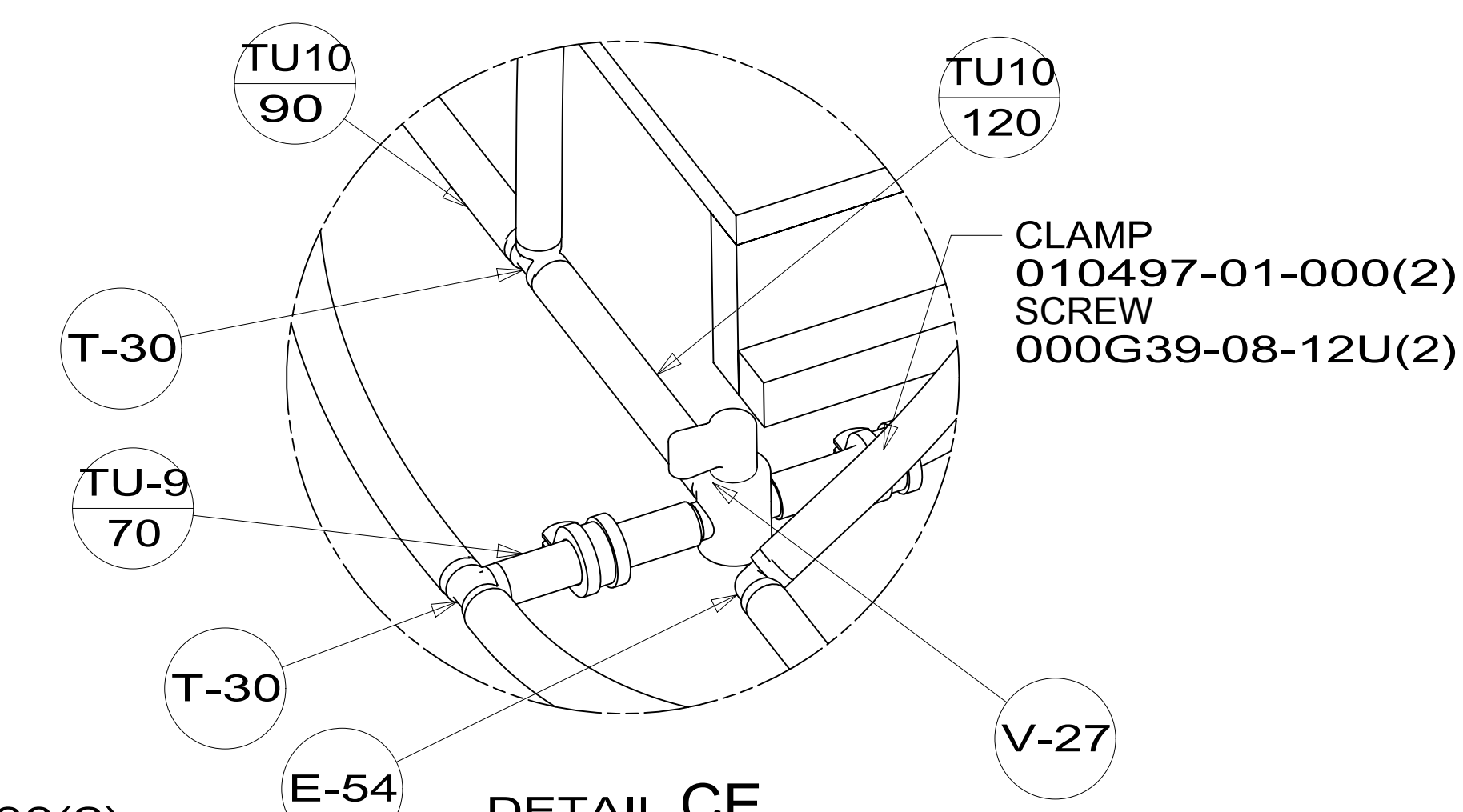
DETAIL CD

1BU WATER HEATER INSTL  
000027981 / 316161-01-000  
PLATFORM ASM  
141210-03-000



CLAMP  
010497-01-000 (2)  
SCREW  
000G39-08-12U (2)

VIEW CC



DETAIL CE

DESCRIPTION:		
WATER SYSTEM INSTL		
SHEET:	ITEM/PART NO.:	REV
3 OF 4	000118012 / 32228901000	



INSULATION  
000038766 / 317684-02-000

INSULATION-DRAINAGE COMPT  
168508-26-000

INSULATION  
000033981 / 317684-01-000 (2)

STRAP-TANK,WATER  
118994-01-CHT(2)  
NUT  
000D39-06-00U(8)  
WASHER  
000E13-18-00U(4)

TANK ASM-WATER  
000038575 / 318889-01-000

INSULATION  
000033962 / 317685-01-000 (2)

INSULATION  
000038767 / 317684-03-000

PANEL  
000038662 / 318872-01-CHT  
SCREW  
000G39-08-12U(4)

PANEL-SIDE,COMPARTMENT  
170356-12-CHT  
SCREW  
000G39-08-08U(2)

PANEL-SERVICE CENTER  
166877-10-CHT  
SCREW  
000G39-08-08U(2)

VALVE-1.5  
062421-05-000

PANEL-CLOSEOUT  
151869-05-CHT  
SCREW  
000G39-08-12U(2)

PANEL-ELECTRICAL  
000121190 / 322974-01-CHT

SCREW  
000G11-08-12U (3)

DETAIL DE

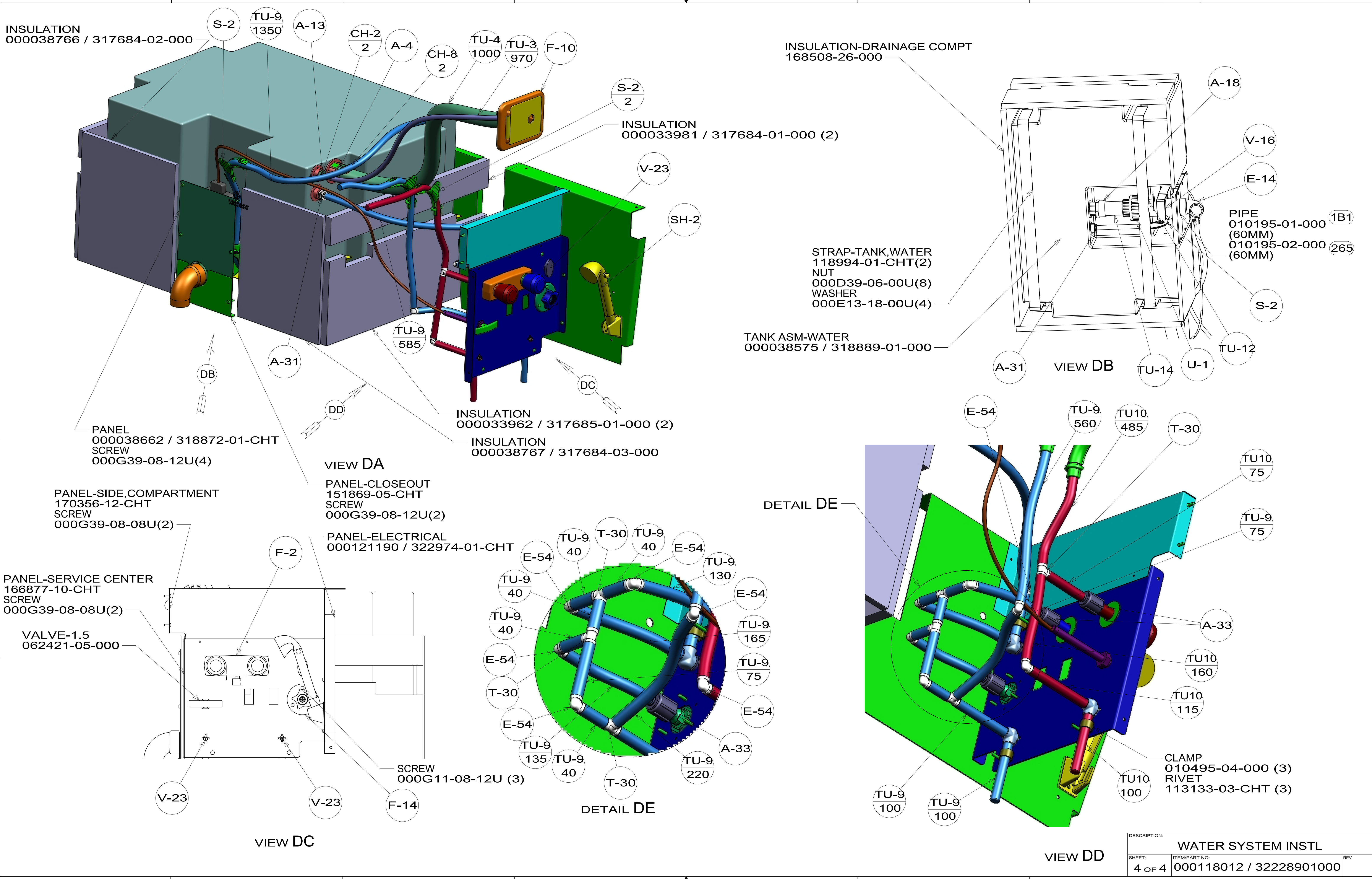
VIEW DC

VIEW DA

DETAIL DE

VIEW DB

VIEW DD



DESCRIPTION:		
WATER SYSTEM INSTL		
SHEET:	ITEM/PART NO.:	REV
4 OF 4	000118012 / 32228901000	