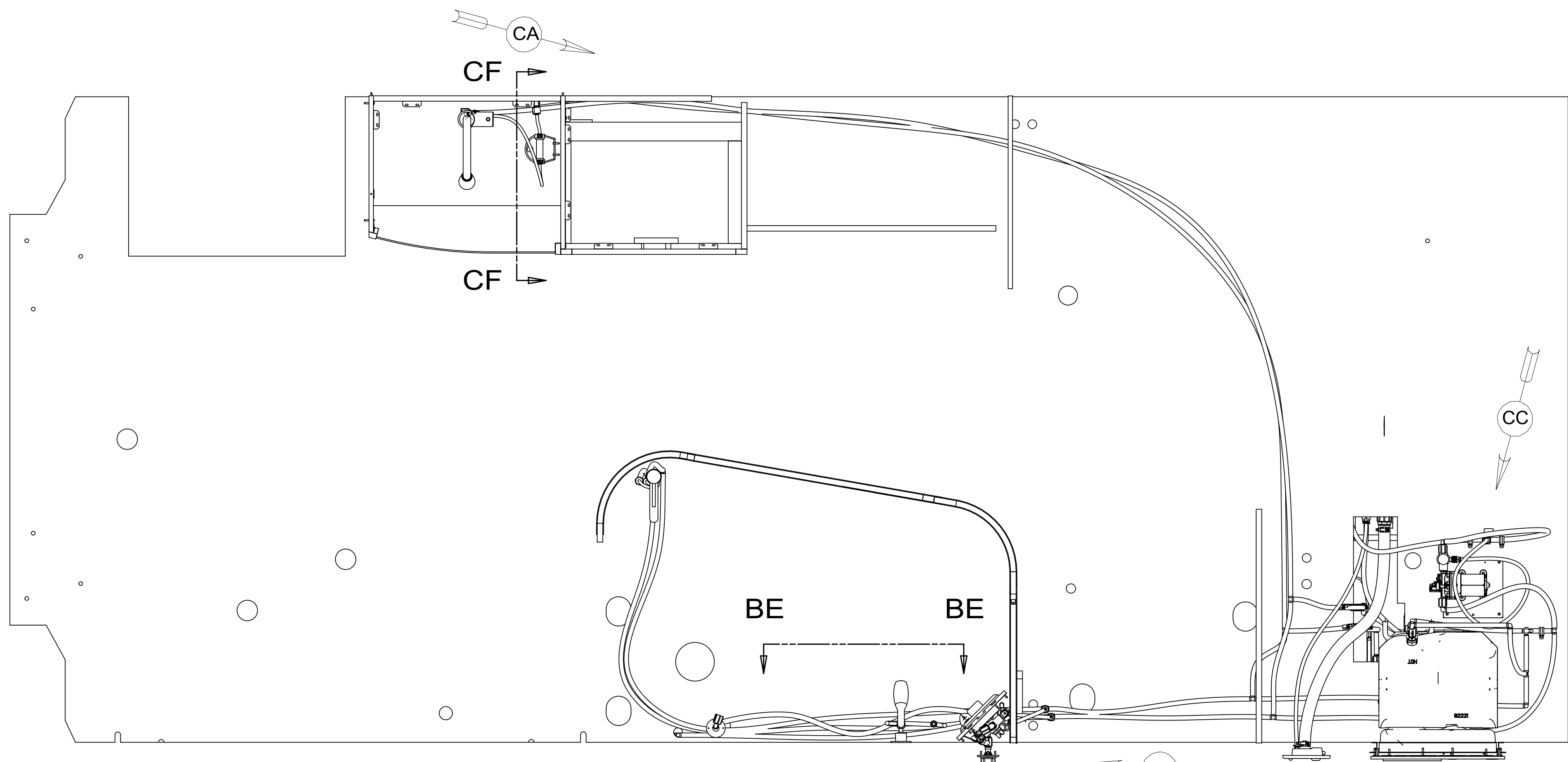


REV	ZONE	REVISION RECORD	DATE	DFTR-ORIG
A	---	INITIAL RELEASE	05/15/17	9080-7487
B	---	SH-2 WAS SH-1 AND CHG PANEL	06/02/17	9080-1600
C	SHT3	323557-01-CHT WAS 185364-01-CHT	06/27/17	9080-4373
D	SHT3	REPL. GALLEY FAUCET	08/28/17	7941
E	SHT2	CHG FAUCET AND TRIM KIT	09/01/17	9080-1600
F	SHT3	149477-08 WAS -04	09-29-17	0626-4373
G	S3B7	ADD E-9 TO GALLEY FAUCET	10/04/17	3660
H	SHT3	CHG TO WATER FILTER AREA	11/20/17	9080-4373
J	SHT3	UPDATED TUBES AND FITTINGS ON VIEW CC	12-14-17	8378-4373
K	---	UPDATE	01/16/18	9080-1600
L	SHT2	328585-01-CHT WAS 187372-01-CHT	04/27/18	9080-6437
M	SHT2	CHG FLUSHING SYS BREAKER AND INLET	7-18-18	3699
N	SHT2	REPLACE VACCUM BREAKER WITH V-7	8/3/18	2803
P	SHT2	UPDATE TU-10 AROUND CHECK VALVE	8/15/18	2803



- 11 GALLEY FAUCET TO BE INSTALLED SO THE ON/OFF HANDLE CLEARS WINDOW SHADE.
- 10 INSTALL BYPASS PLUG FOR SYSTEM TESTING AND SHIPPING.
- 9. ALL CRIMP FITTINGS TO PEX TUBING REQUIRE 5/8" CLAMP 000156248 / 326669-01-000.
- 8 INSTALL BETWEEN MOUNTING PLATE AND RETAINING NUTS.
- 7 LAVATORY FAUCET SPOUT TO BE TURNED 180 DEGREES SO THE ON/OFF HANDLE IS FACING TOWARD THE SHOWER.
- 6 INSTALL CONNECTOR WITH TAPERED END AWAY FROM FAUCET.
- 5 ADD PIPE WRAP (LADDER SCRAP 110157-02-000) INSULATION.
- 4 ADD TEFLON TAPE 010405-01-000.
- 3. ALL TUBING TO BE SECURED AT 1200 INTERVALS MAXIMUM WITH CLAMP 010495-01-000 AND SCREW 000G67-10-12u OR EQUIVALENT.
- 2. TUBING TO BE INSTALLED WITH SUFFICIENT SLOPE TO PROVIDE DRAINAGE TO NEAREST VALVE.
- 1. PLASTIC FITTINGS TO BE SEALED WITH SEALANT 084456-01-000.

- 53B WTR HTR-6GAL ELECTRIC/LP GAS
- 1B1 CODES/STANDARDS USA
- 265 CODES/STANDARDS-CSA/CMVSS
- 29B WATER PURIFIER

WINNEBAGO
COPYRIGHT 2018 WINNEBAGO INDUSTRIES, INC.

DSNR:	ALL DIMENSIONS ARE IN MILLIMETERS	
DFTR:	MATERIAL:	
UNSPECIFIED TOLERANCES:	WHOLE DIM (X) :	3
ONE-PLACE (X.X) :	TWO-PLACE (X.XX) :	1.5
ANGLE :		0.50
		1°
REFER TO ES0018 FOR FASTENER TIGHTENING GUIDELINES	WEIGHT: (LBS)	FIRST USED: (REF)
		18 524V
DESCRIPTION: WATER SYSTEM INSTL		
SHEET: 1 OF 4	ITEM/PART NO: 000117995 / 32228201000	REV
	REF:	1 29-Aug-2018

X-X
FOR WATER CALLOUTS SEE DWG NO. 000209446 / 303369-01-000

FAUCET-LAV
7
000034499 / 317788-01-CHT

SHOWER HEAD-W/HOSE & BRKT
000162058 / 328585-01-CHT

FAUCET-VALVE,SHOWER
144596-01-CHT
FAUCET-TRIM KIT
144596-02-CHT

PANEL-SHOWER
167738-06-CHT
SCREW
000G39-08-12U (8)
COVER-SCREW
166569-01-CHT (8)

DROP ELL-SHOWER
135028-02-CHT
SPACER-SHOWER HEAD
130041-03-CHT
PLATE-COVER
143218-02-CHT

DETAIL BC

DETAIL BC

BRACKET-SHOWER HEAD
131550-03-CHT
SCREW
000G39-08-12U (8)

BREAKER-VACUUM,FLUSHING SYS
000030488 / 316731-01-000

CLAMP
010497-01-000

SCREW
000G11-08-12U (3)

SHOWER SURROUND
(REF)

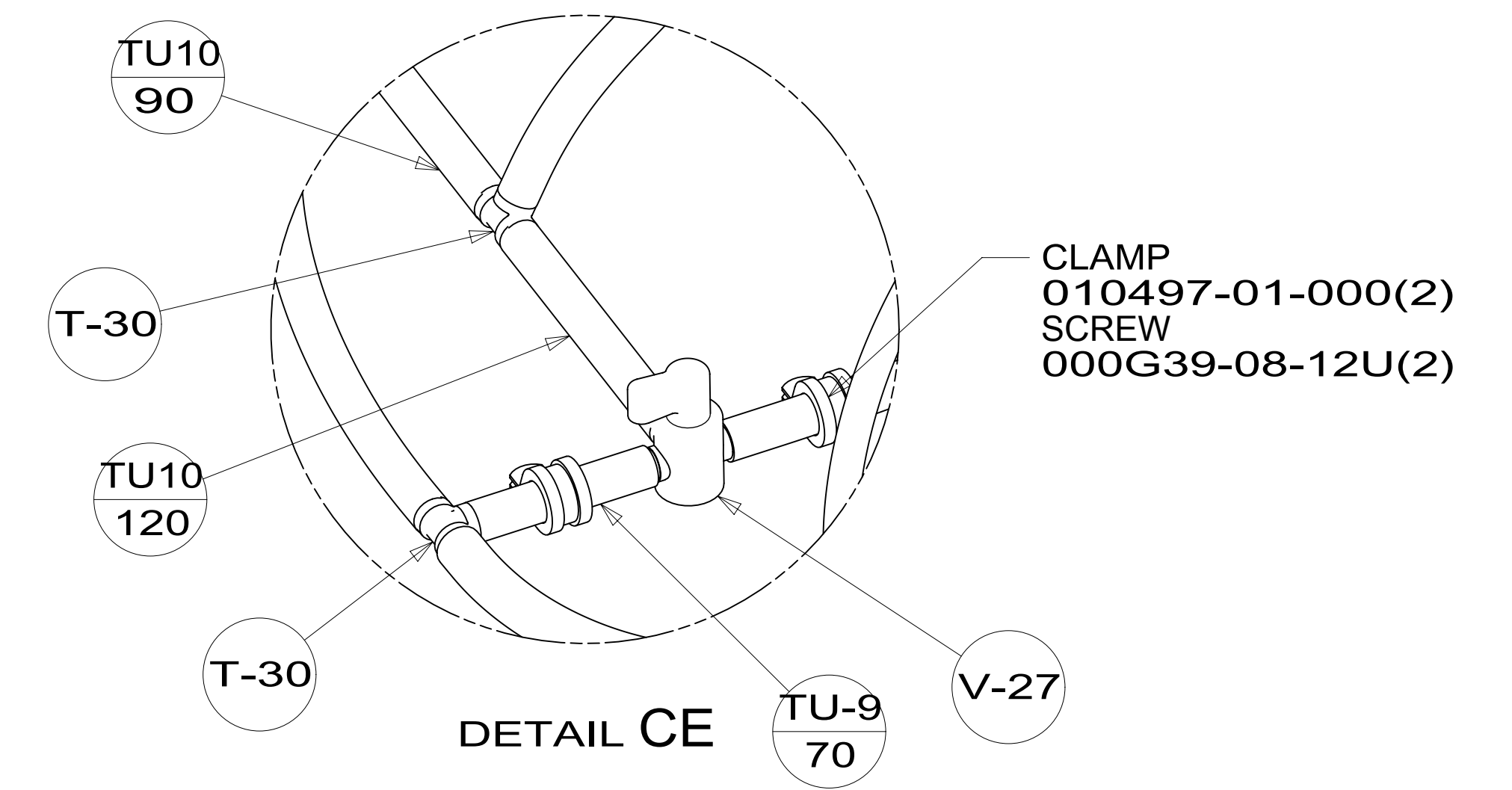
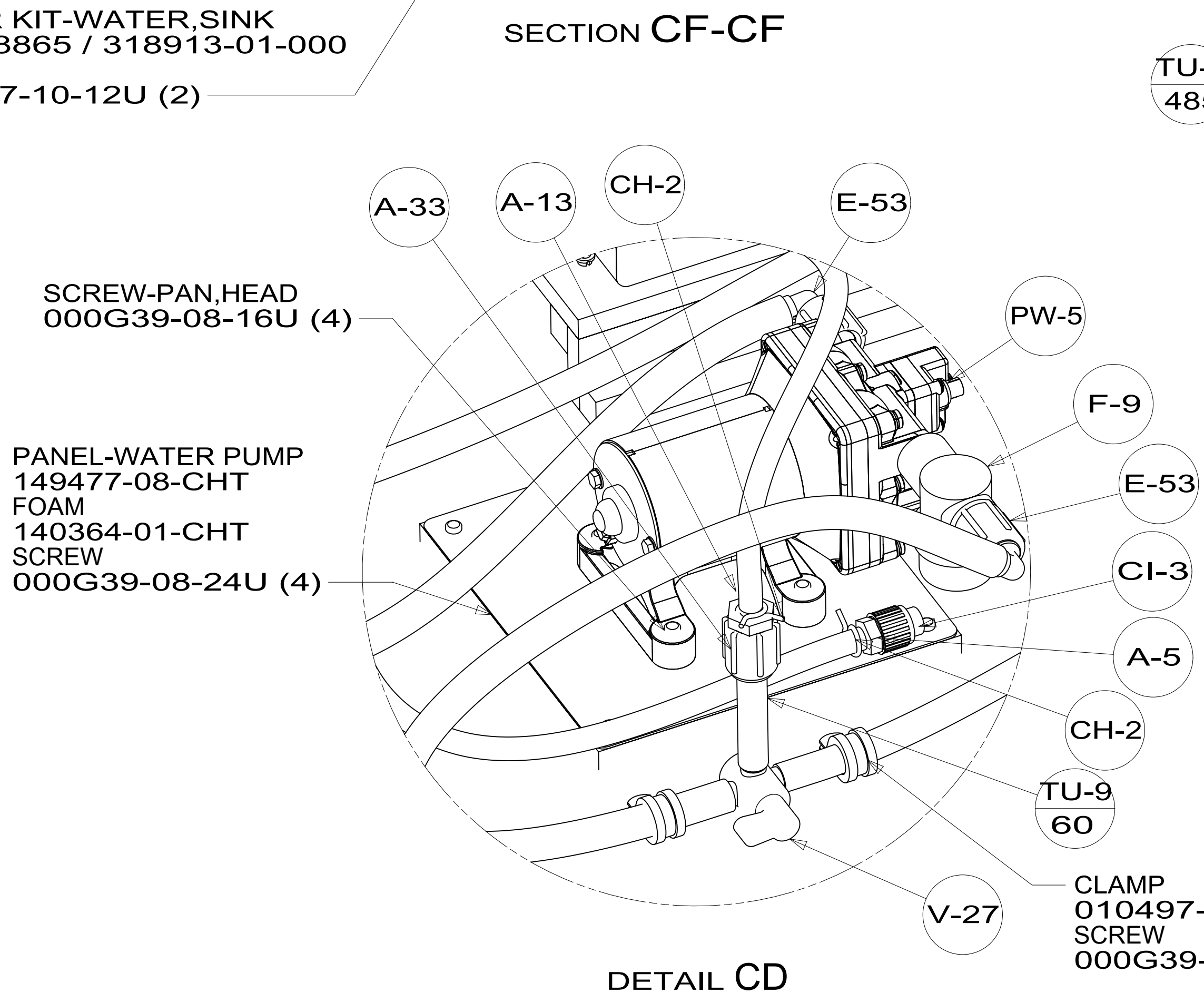
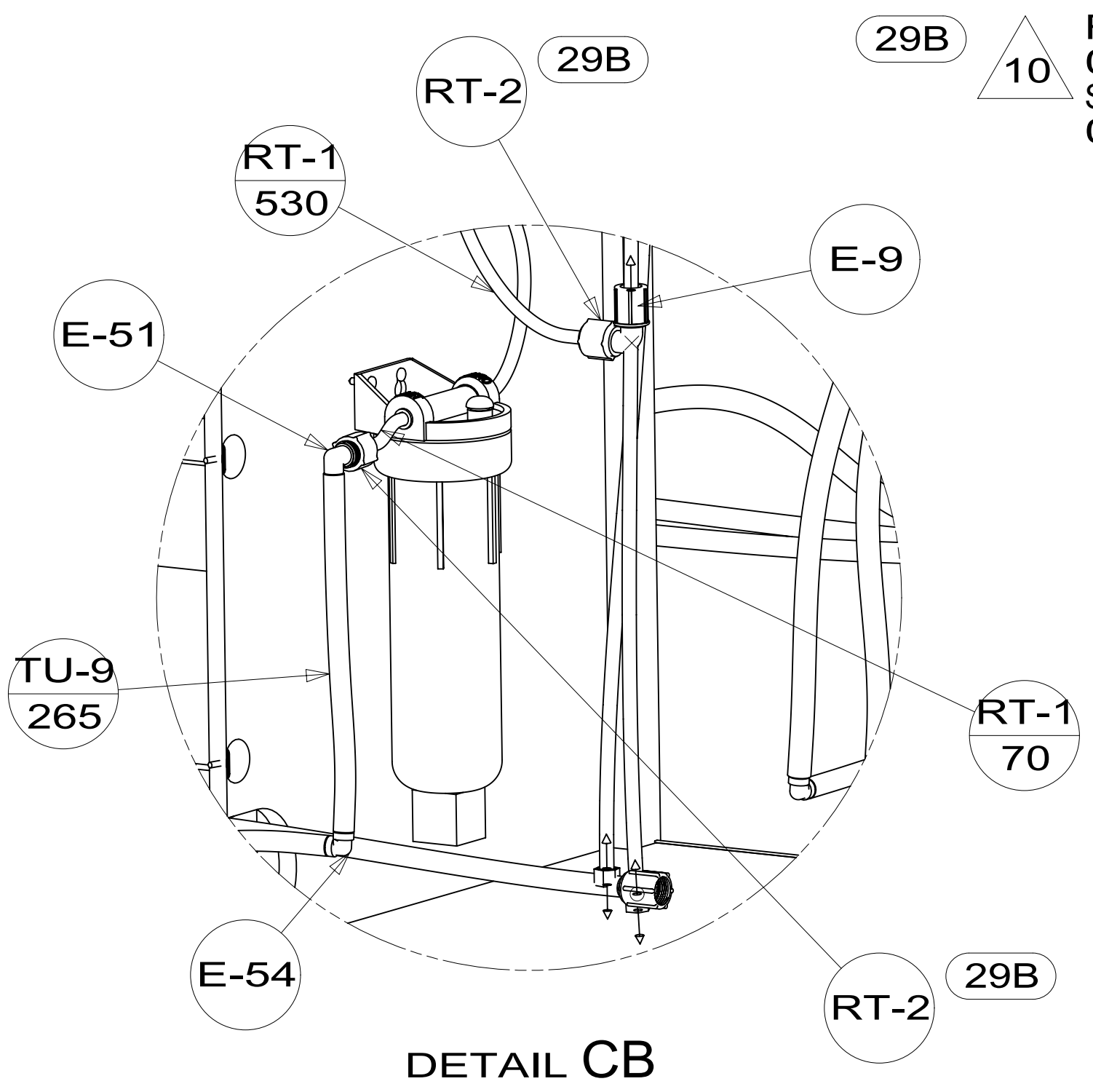
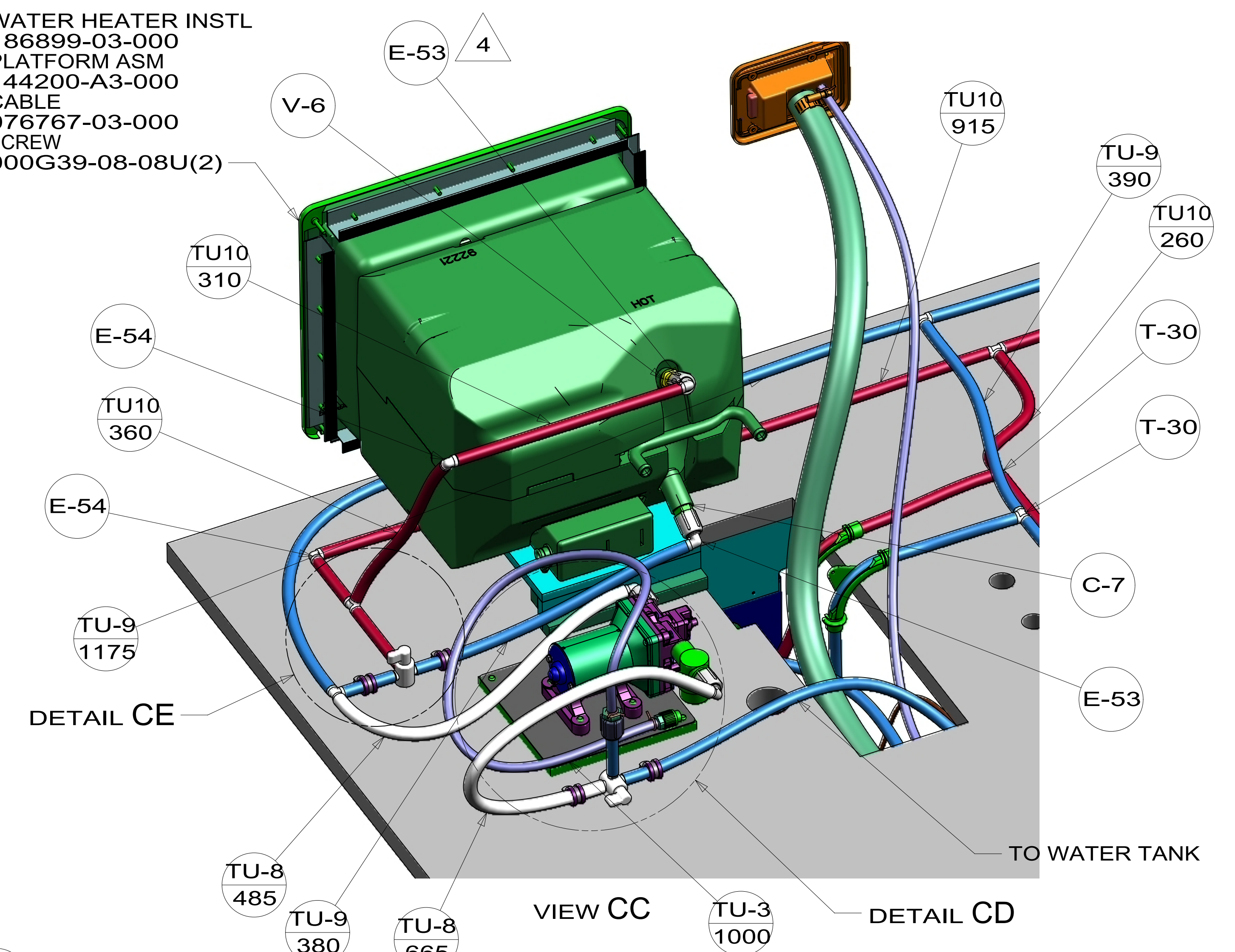
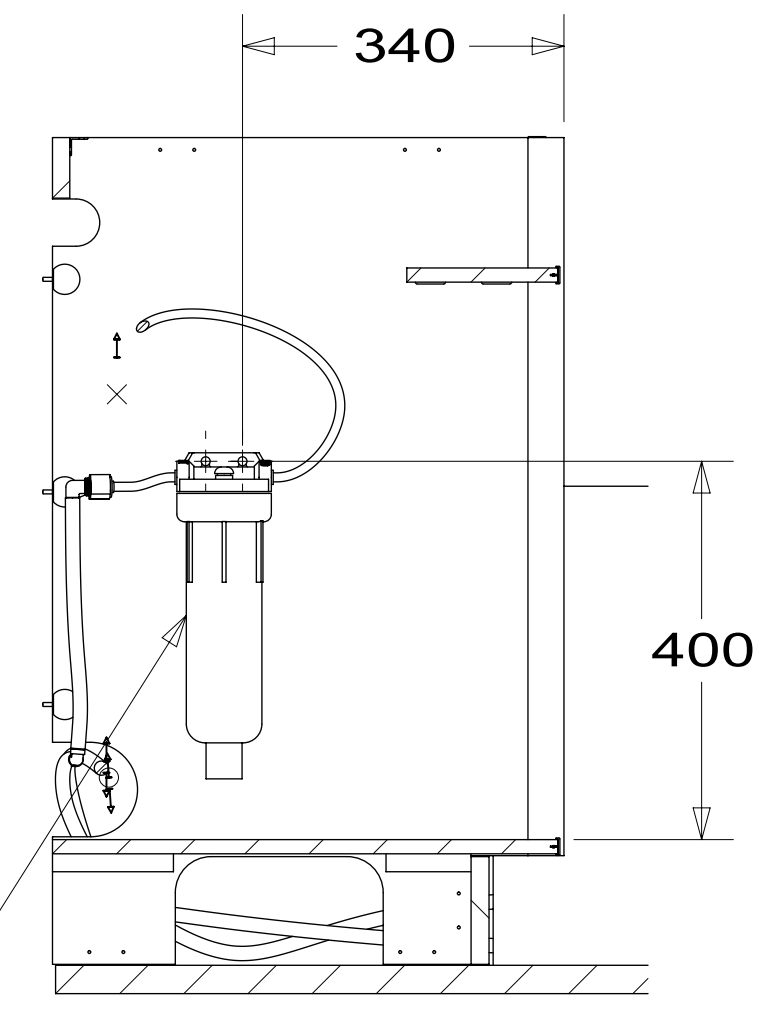
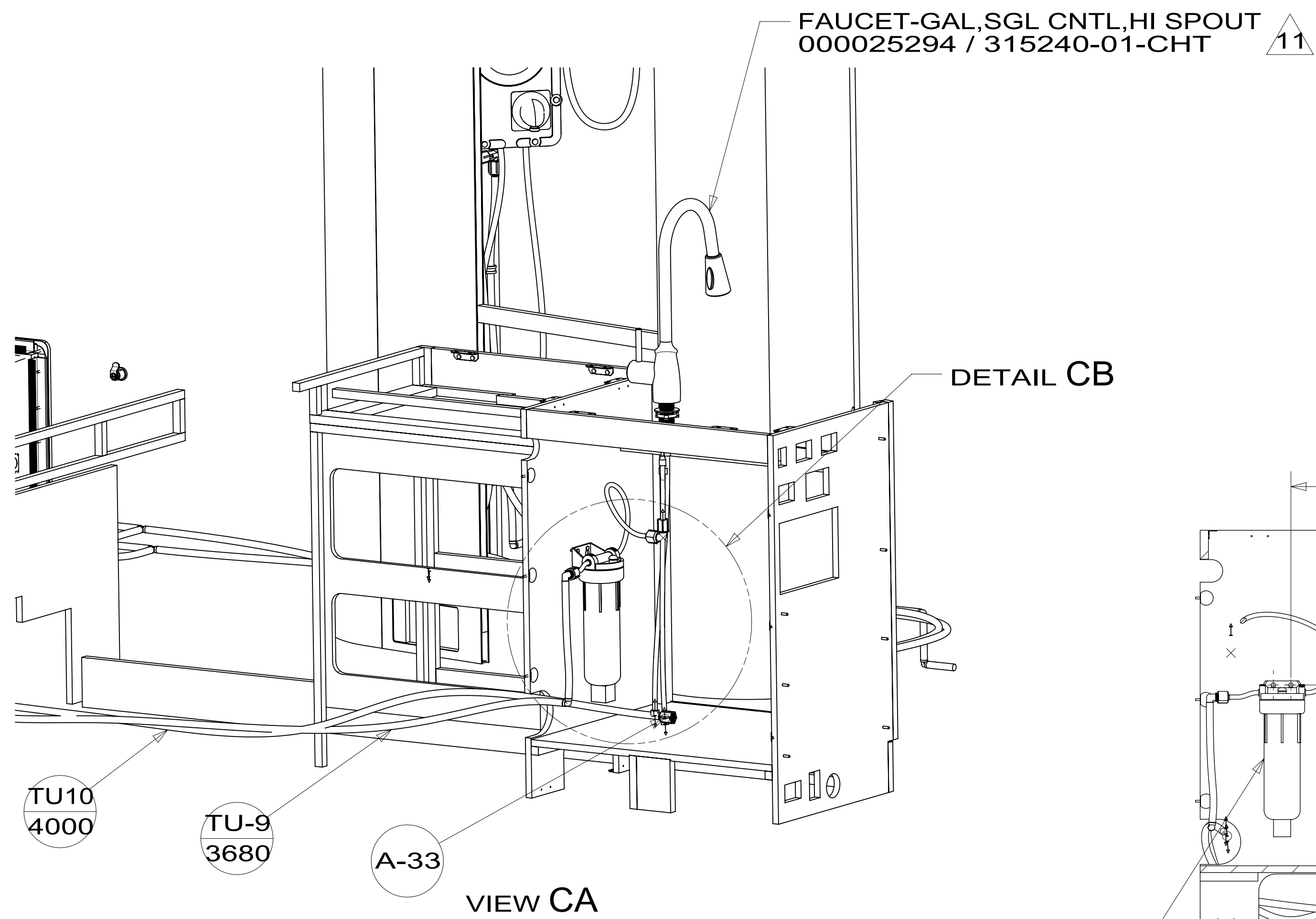
VIEW BD
(SHOWING FLUSHING SYSTEM)

SECTION BE-BE
(ROTATED)

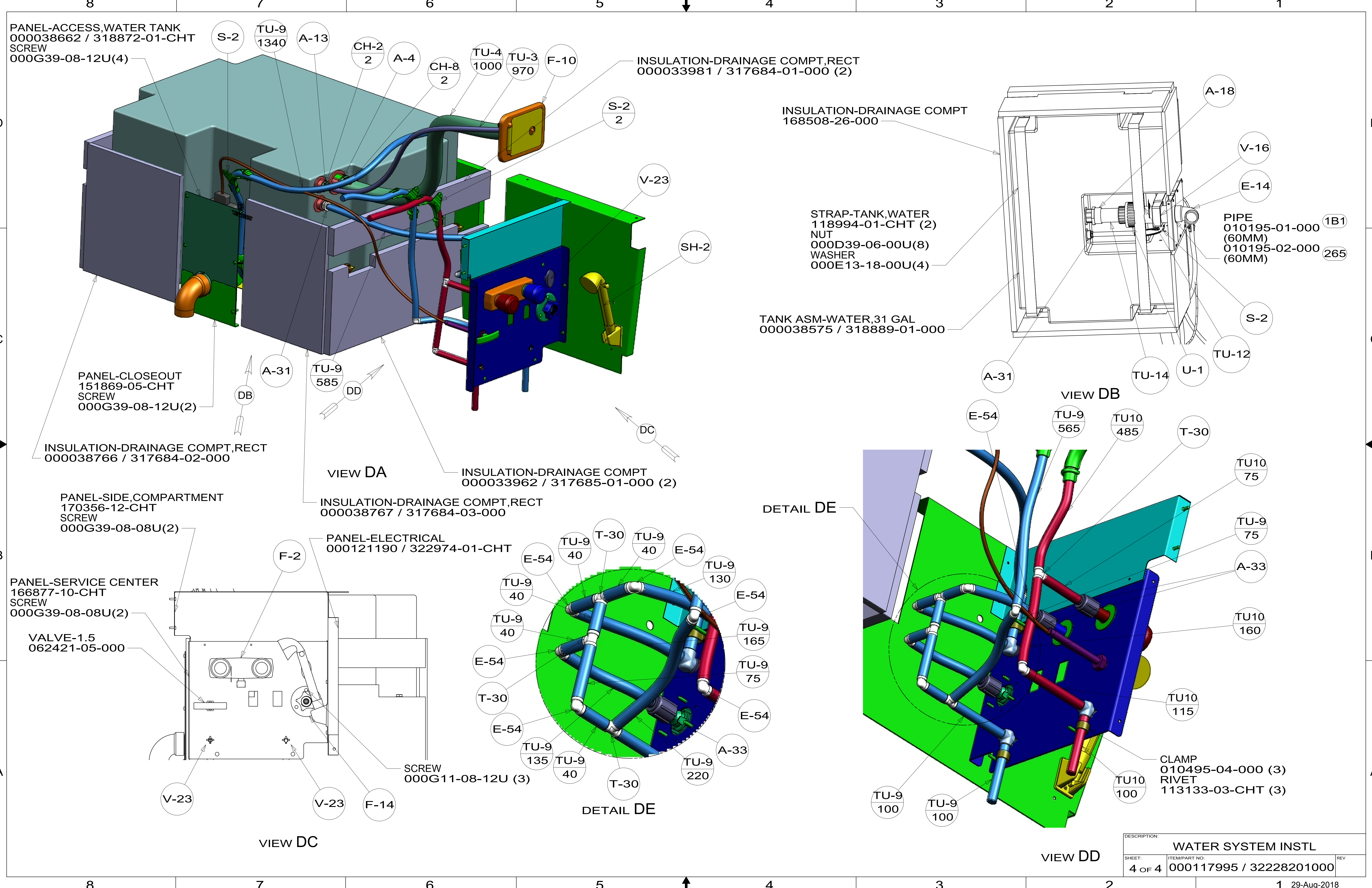
VIEW BA

DETAIL BB

DESCRIPTION: WATER SYSTEM INSTL		
SHEET: 2 OF 4	ITEM/PART NO: 000117995 / 32228201000	REV



DESCRIPTION:		
WATER SYSTEM INSTL		
SHEET:	ITEM/PART NO:	REV
3 OF 4	000117995 / 32228201000	
		1 29-Aug-2018



DESCRIPTION:		
WATER SYSTEM INSTL		
SHEET:	ITEM/PART NO.:	REV
4 OF 4	000117995 / 32228201000	