

- 10. LAVATORY FAUCET SPOUT TO BE TURNED 180 DEGREES SO THE ON/OFF HANDLE IS FACING TOWARD THE CENTER OF THE COACH.
- 9. INSTALL BYPASS PLUG FOR SYSTEM TESTING AND SHIPPING.
- 8. ALL CRIMP FITTINGS TO 1/2" PEX TUBING REQUIRE 1/2" CLAMP 000156249 / 326670-01-000.
- 7. ALL CRIMP FITTINGS TO 5/8" PEX TUBING REQUIRE 5/8" CLAMP 000156248 / 326669-01-000.
- 6. LABEL HOT AND COLD SUPPLY TUBES AND TAPE FITTING TO TUBE BEFORE CABINET SET TO PREVENT MOVEMENT.
- 5. ADD PIPE WRAP (LADDER SCRAP 110157-02-000) INSULATION.
- 4. ADD TEFLON TAPE 010405-02-000.
- 3. ALL TUBING TO BE SECURED AT 1200 INTERVALS MAXIMUM WITH CLAMP 010495-01-000 AND SCREW 000G67-10-12U OR EQUIVALENT.
- 2. TUBING TO BE INSTALLED WITH SUFFICIENT SLOPE TO PROVIDE DRAINAGE TO NEAREST VALVE.
- 1. PLASTIC FITTINGS TO BE SEALED WITH SEALANT 084456-01-000.

NOTES:

53B WTR HTR-6GAL ELECTRIC/LP GAS

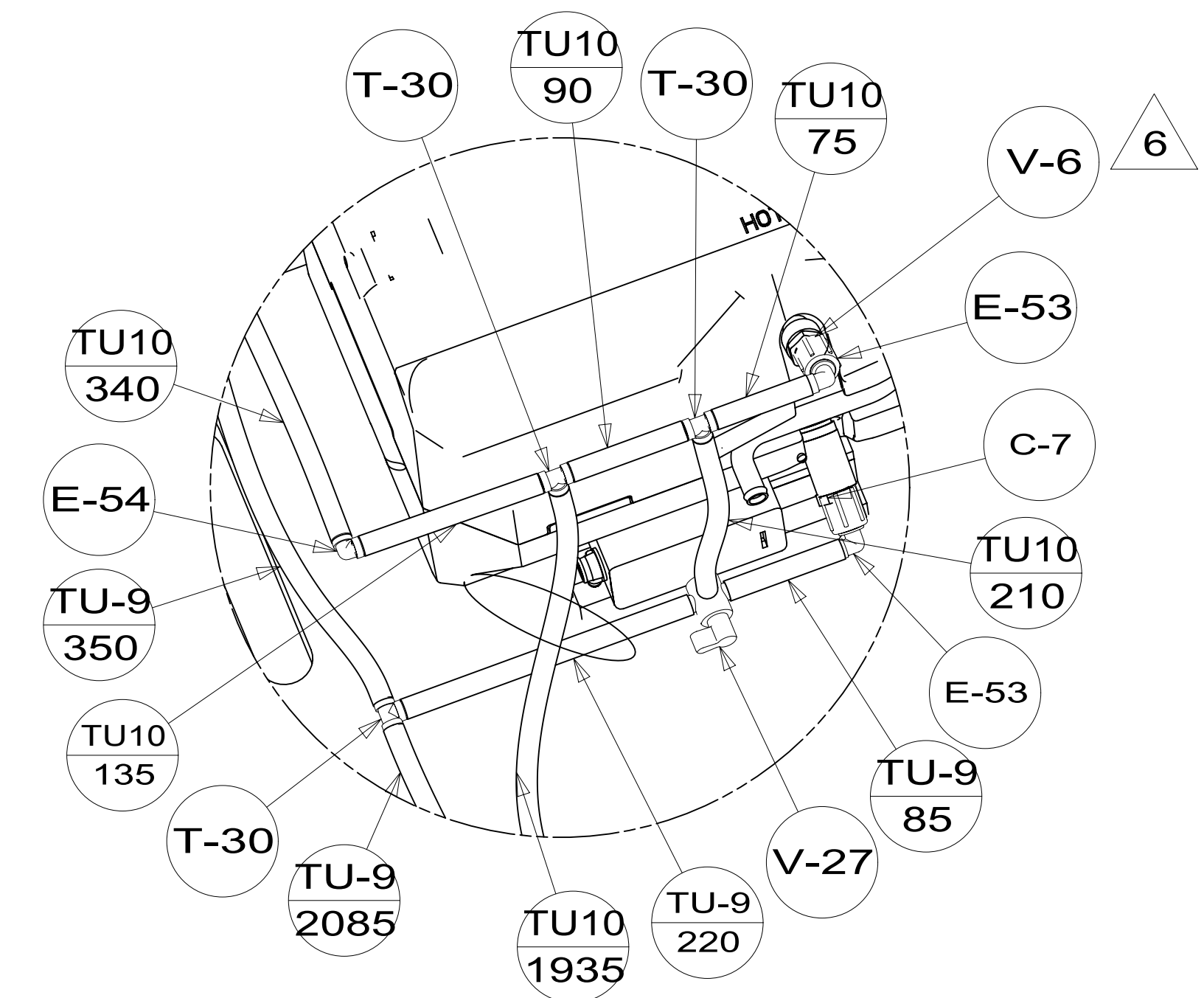


DSNR:		ALL DIMENSIONS ARE IN MILLIMETERS	
DIFTR:		MATERIAL:	
UNSPECIFIED TOLERANCES:			
WHOLE DIM (X)	: 3		
ONE-PLACE (X.X)	: 1.5		
TWO-PLACE (X.XX)	: 0.50		
ANGLE	: 1°		
REFER TO ES0018 FOR FASTENER TIGHTENING GUIDELINES		WEIGHT: (LBS)	FIRST USED: (REF)
			18 524J
DESCRIPTION: WATER SYSTEM INSTL			
SHEET:	ITEM/PART NO:	REV	
1 OF 4	000114730 / 32217401000		

X-X

FOR WATER CALLOUTS SEE DWG NO. 000209446 / 303369-01-000

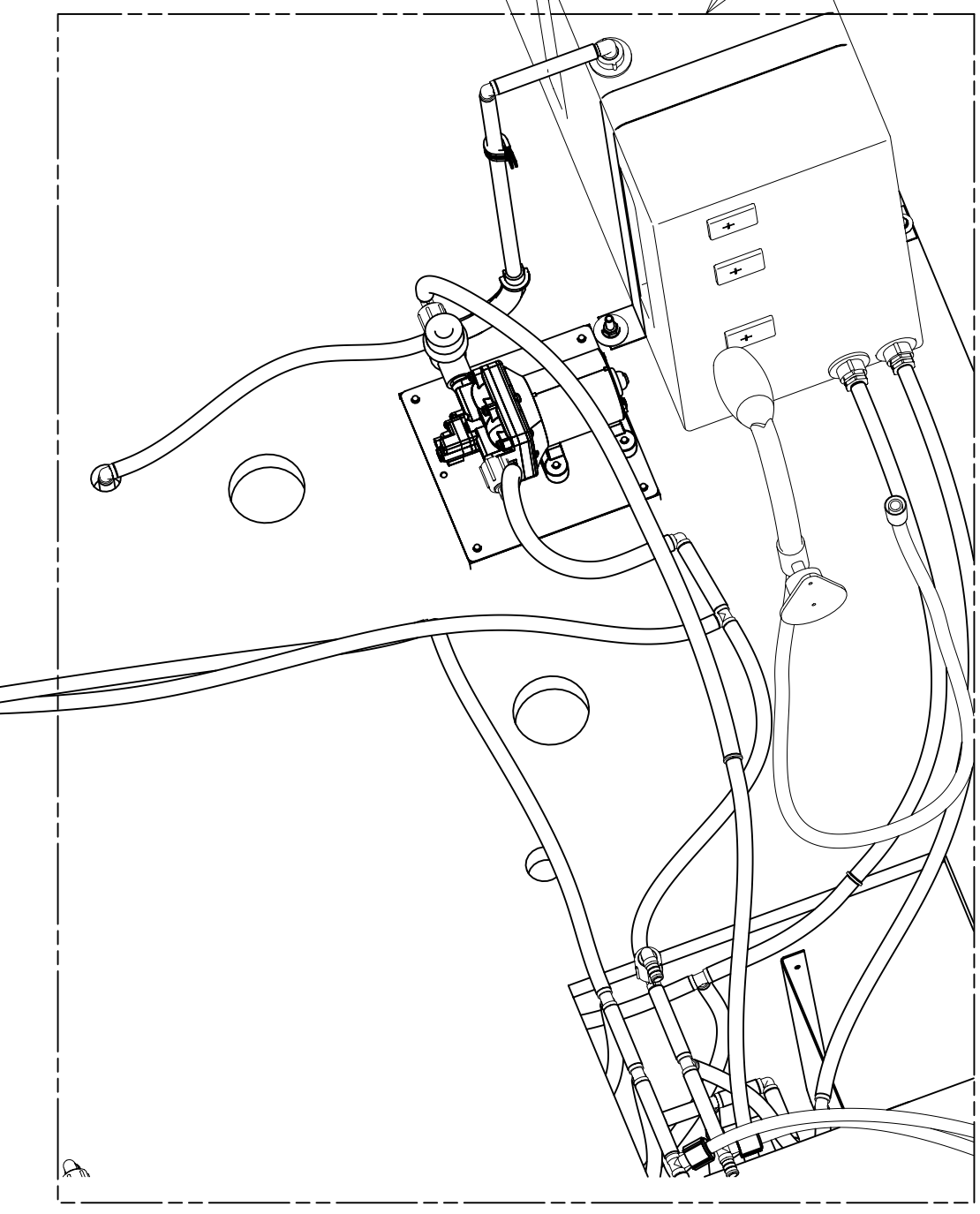
- STRAP-TANK, WATER
118994-26-CHT (2)
- SCREW
000G42-04-24U (2)
- WASHER
000E13-16-00U (2)
- SCREW
000G39-10-08U (2)
- NUT
000D39-05-00U (2)
- WASHER
000E13-22-00U (2)



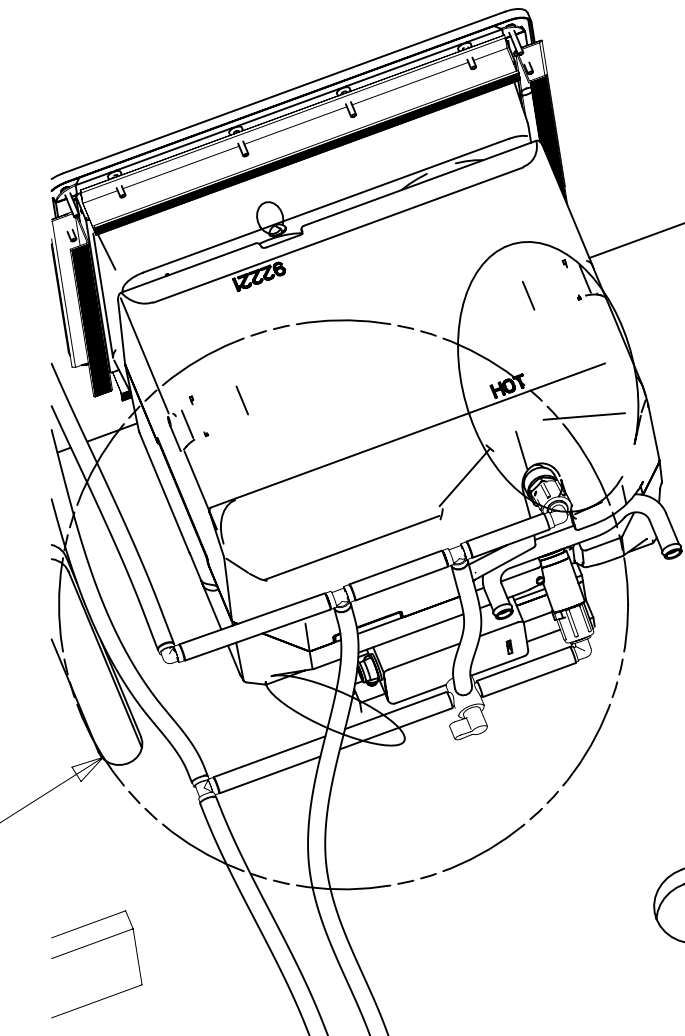
- CH-8 2
- CH-2 2
- F-10
- TU-3 275
- TU-4 165
- A-4
- E-28

TANK ASM-WATER
000121496 / 323048-01-000

DETAIL CC

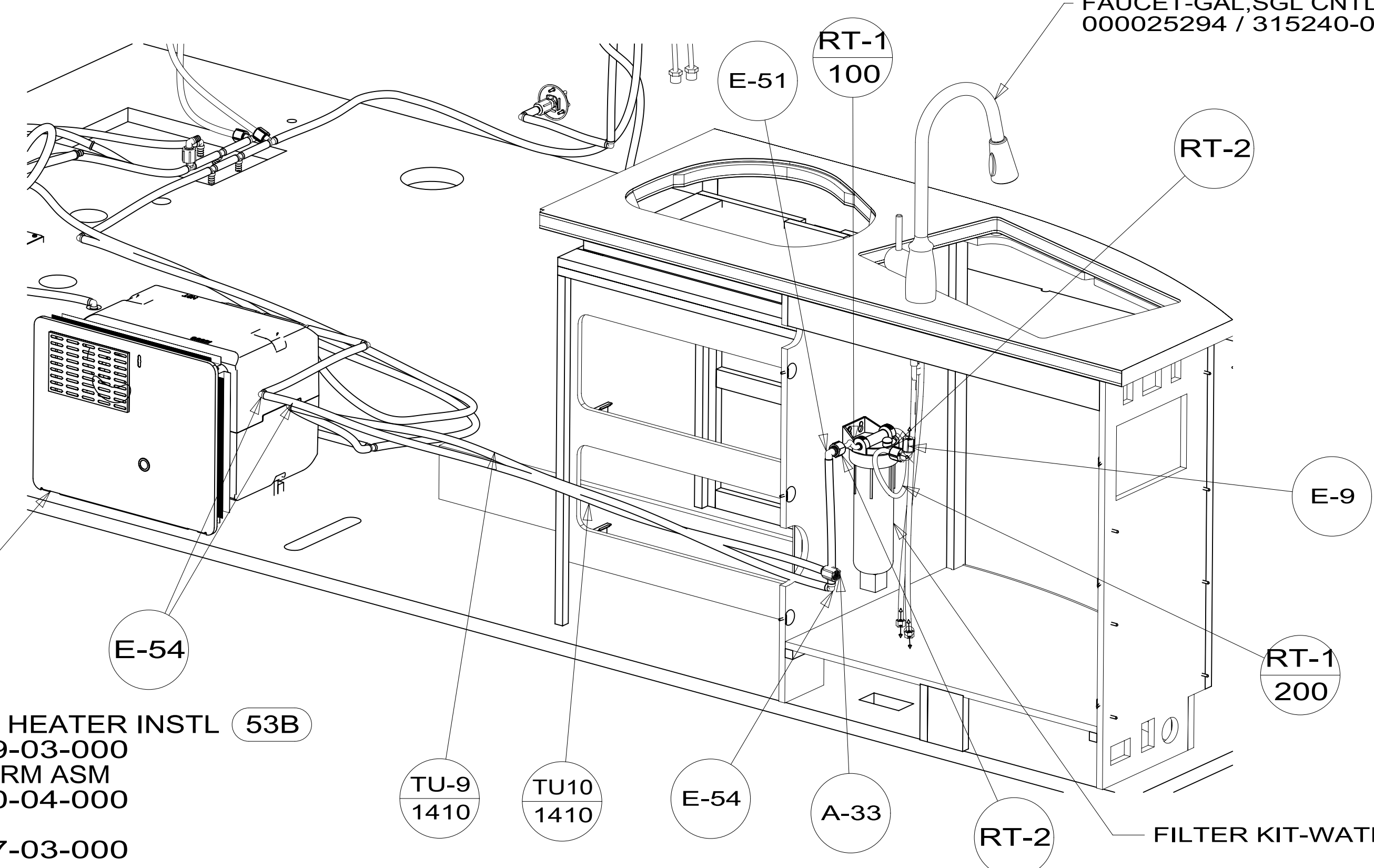


DETAIL BC



DETAIL BC
(SHOWN W/OUT CABINETS)

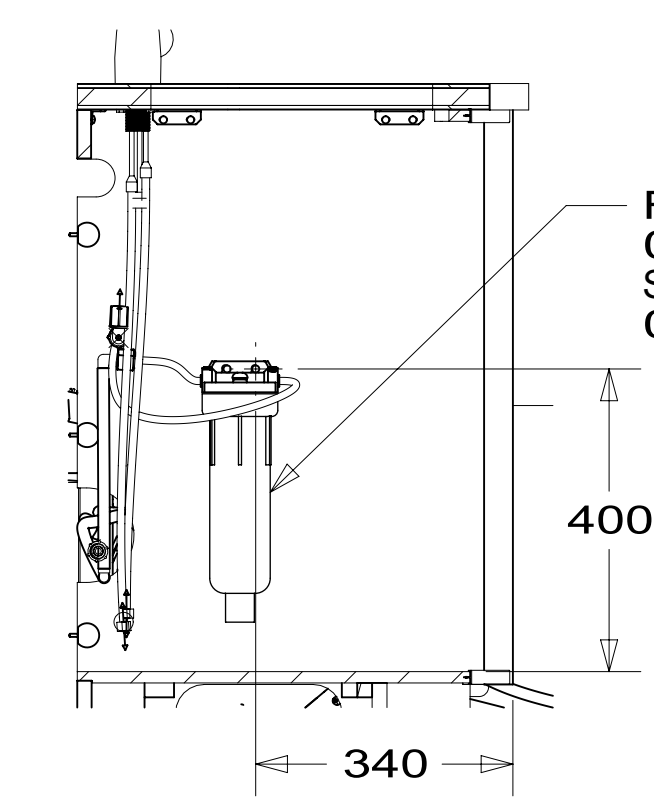
FAUCET-GAL, SGL CNTL, HI SPOUT
000025294 / 315240-01-CHT



VIEW BA

- WATER HEATER INSTL 53B
186899-03-000
- PLATFORM ASM
144200-04-000
- CABLE
076767-03-000
- SCREW
000G39-08-08U (2)

VIEW BB

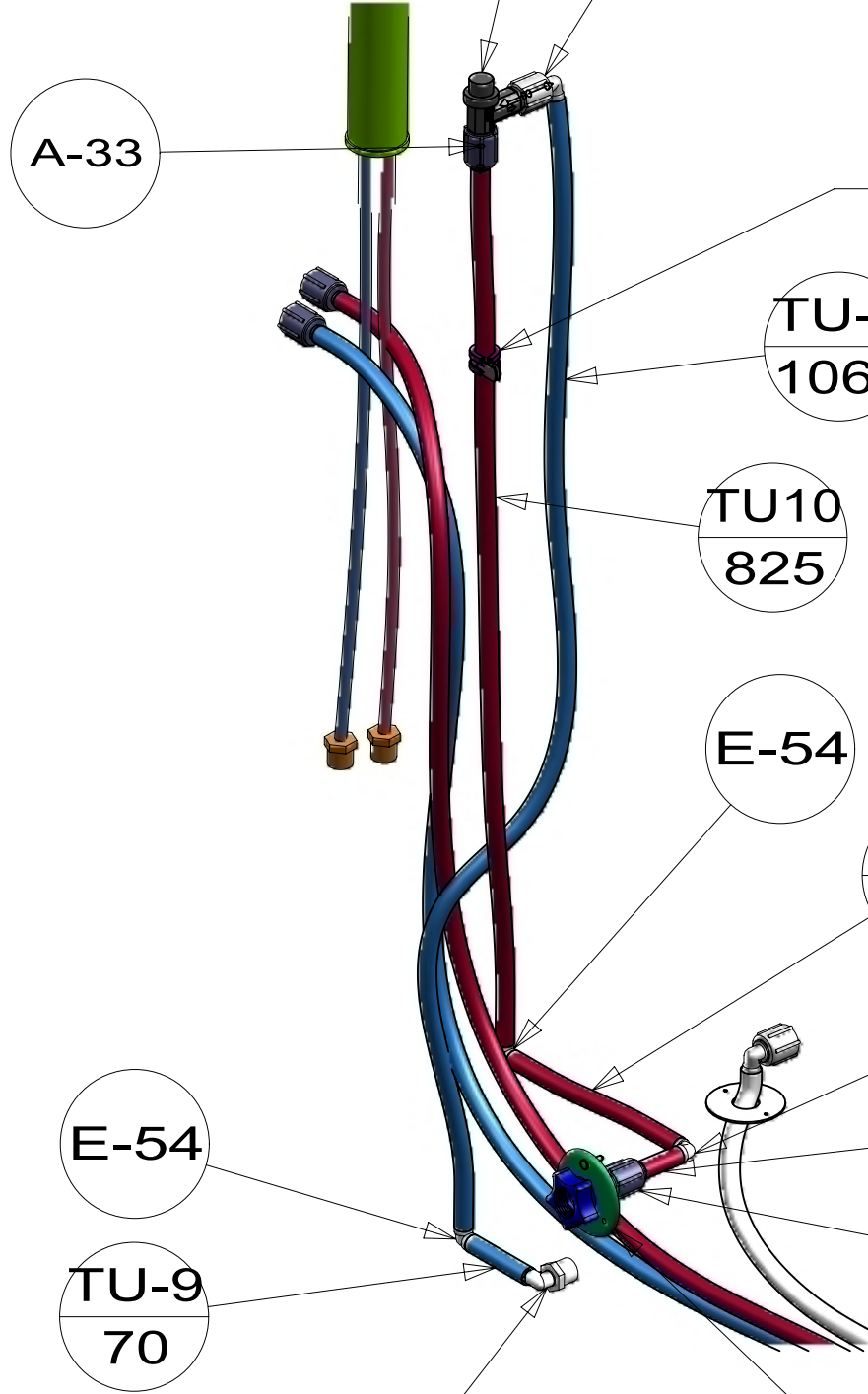


SECTION BD-BD

FILTER KIT-WATER, SINK (REF)

DESCRIPTION: WATER SYSTEM INSTL		
SHEET: 2 OF 4	ITEM/PART NO: 000114730 / 32217401000	REV
		1 28-Aug-2018

BREAKER-VACUUM,FLUSHING SYS
000030488 / 316731-01-000



CLAMP
010497-01-000

TU-9
1060

TU10
825

PANEL-SHOWER FAUCET
167738-06-CHT

SCREW
000G39-08-12U (8)

COVER-SCREW
166569-01-CHT (8)

SHOWER SURROUND
REF

SHOWER HEAD-W/HOSE & BRKT
000162058 / 328585-01-CHT

234

138

FAUCET-TRIM KIT, CHATEAU
144596-02-CHT

SPACER-SHOWER HEAD
130041-03-CHT

DROP ELL-SHOWER
135028-02-CHT

SECTION CB-CB

PANEL-WATER PUMP
149477-08-CHT

FOAM
140364-01-CHT

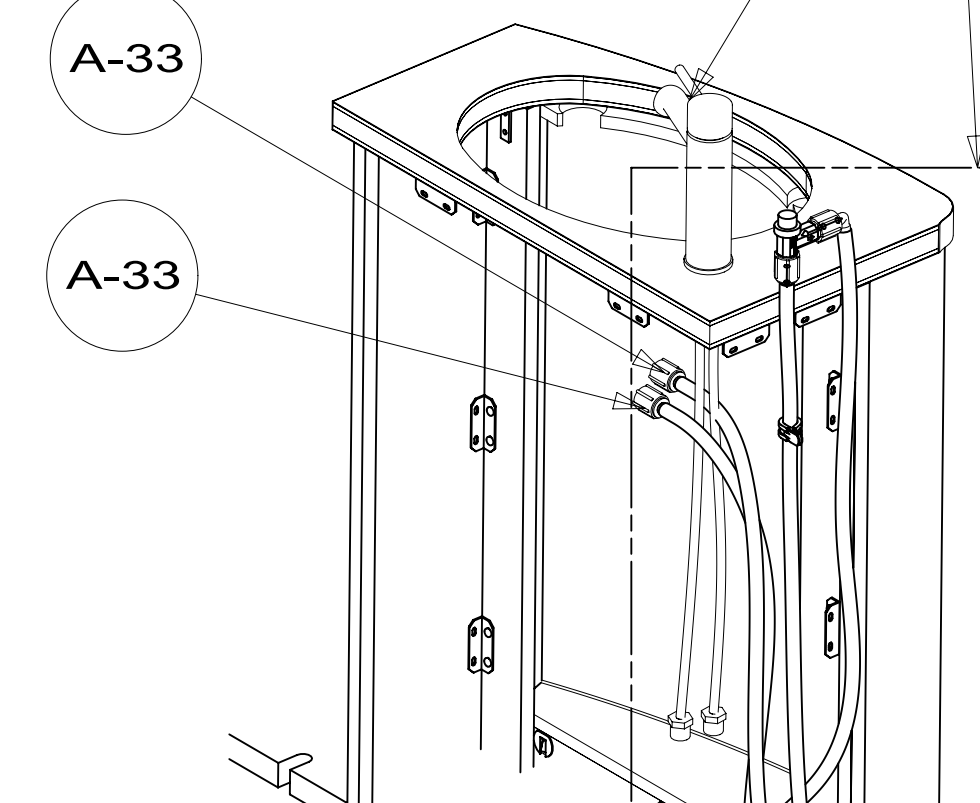
SCREW
000G39-08-16U (4)

TANK FITTING (REF)

DETAIL CE

F-16 SCREW
000G11-08-12U (3)

FAUCET-LAV, SGL CTRL, NO WASTE
10 000034499 / 317788-01-CHT



DETAIL CE

FAUCET-VALVE, SHOWER, POSI-TEM
144596-01-CHT

E-10

PL-3

E-29

N-4

BRACKET-SHOWER HEAD
131550-03-CHT

PLATE-COVER, SHOWER HEAD
143218-02-CHT

SCREW
000G39-08-12U (2)

TU10
85

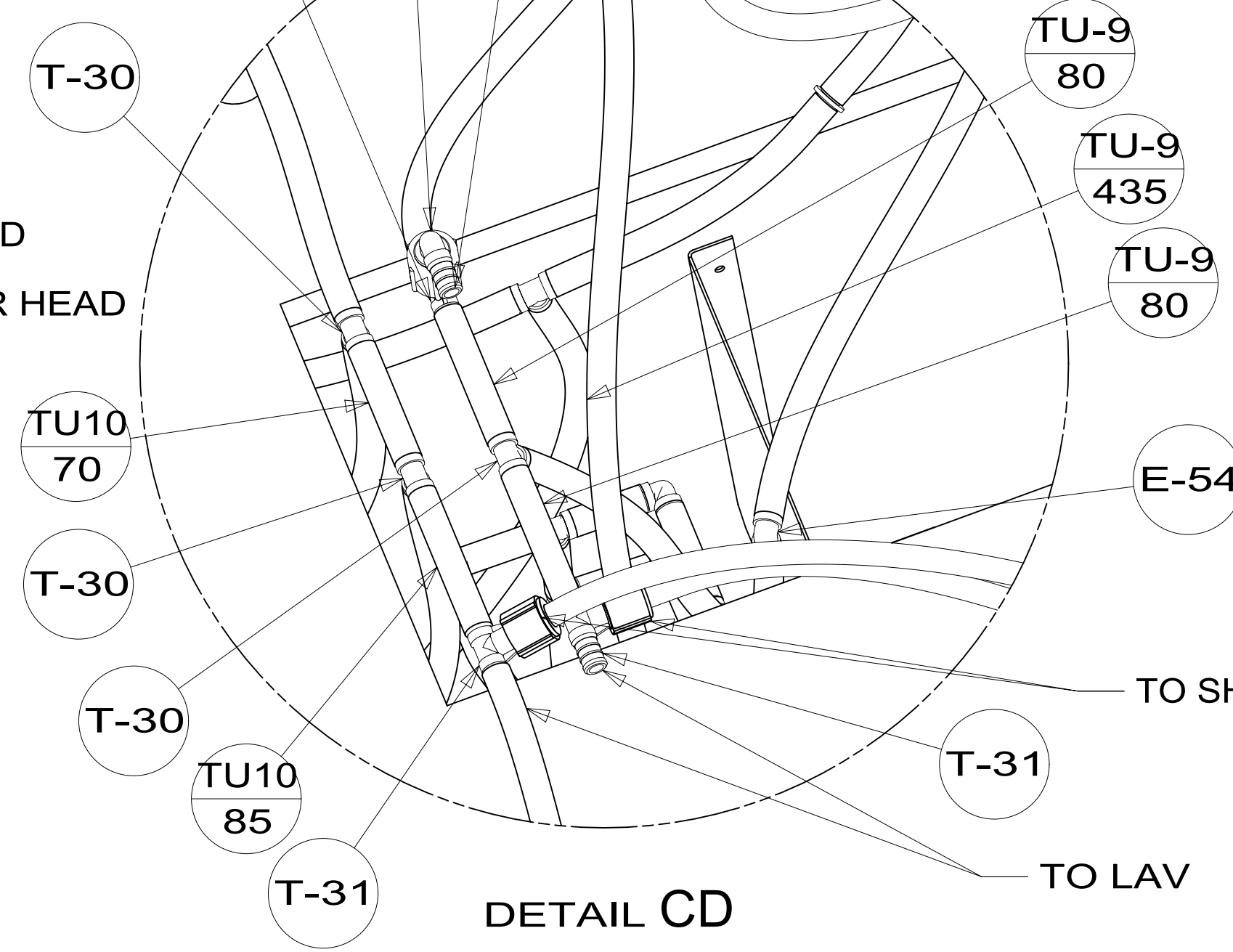
V-7

R-8

VIEW CA

4 5

TO TOILET



DETAIL CD

TU-9
80

TU-9
435

TU-9
80

E-54

T-30

TU10
85

T-31

DETAIL CC

TO SHOWER

TO LAV

CLAMP
010497-01-000

S-2

TU-9
915

E-54

TU-9
105

E-51

PW-5

SCREW
000G39-08-20U(4)

TU-8
425

E-54

A-31

A-31

TU-9
80

TU-9
580

TU-9
830

T-30

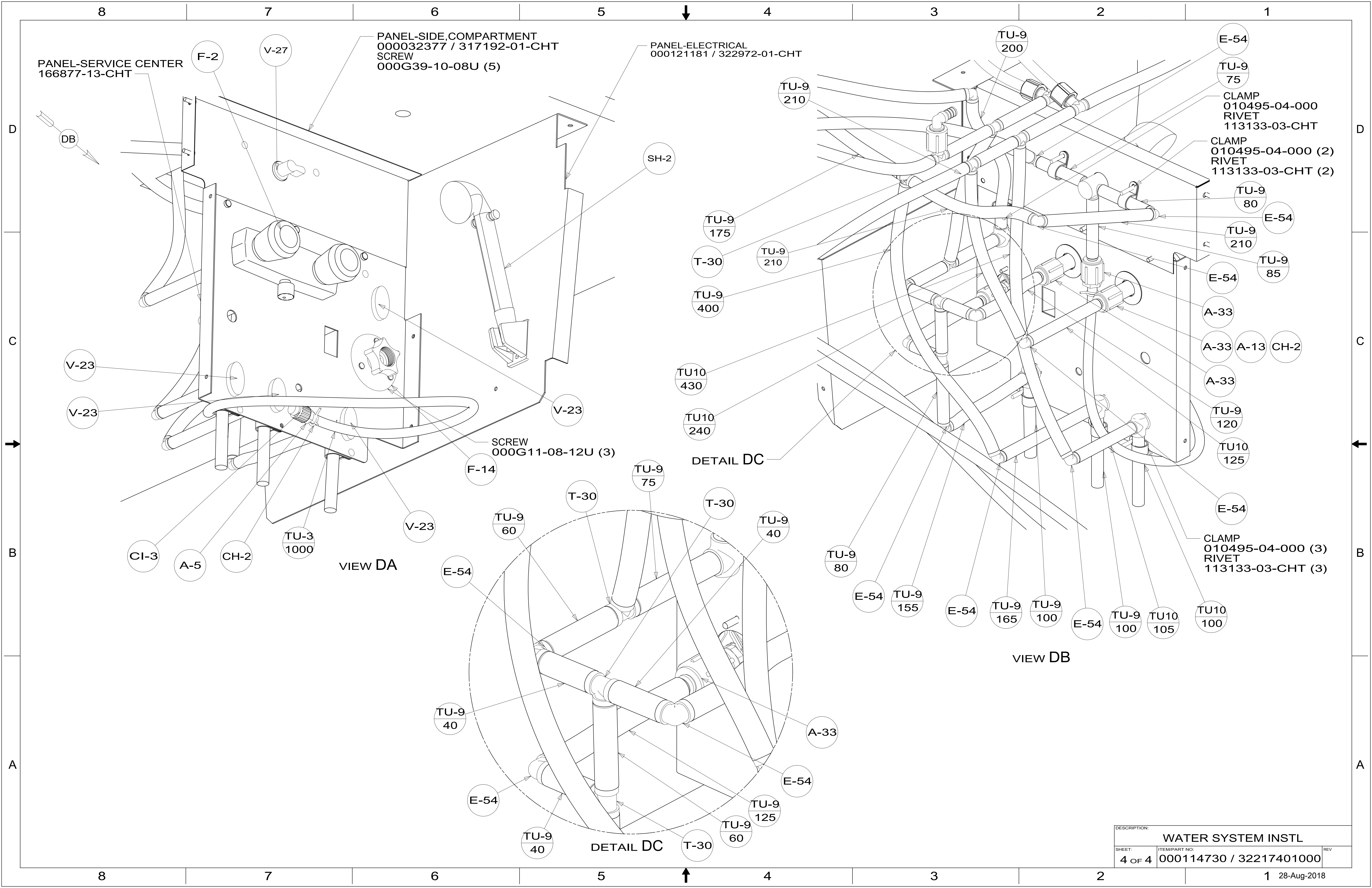
TU-8
670

TU-9
415

CU-2

CU-2

DESCRIPTION: WATER SYSTEM INSTL		
SHEET: 3 OF 4	ITEM/PART NO: 000114730 / 32217401000	REV
		1 28-Aug-2018



DESCRIPTION:		
WATER SYSTEM INSTL		
SHEET:	ITEM/PART NO:	REV:
4 OF 4	000114730 / 32217401000	