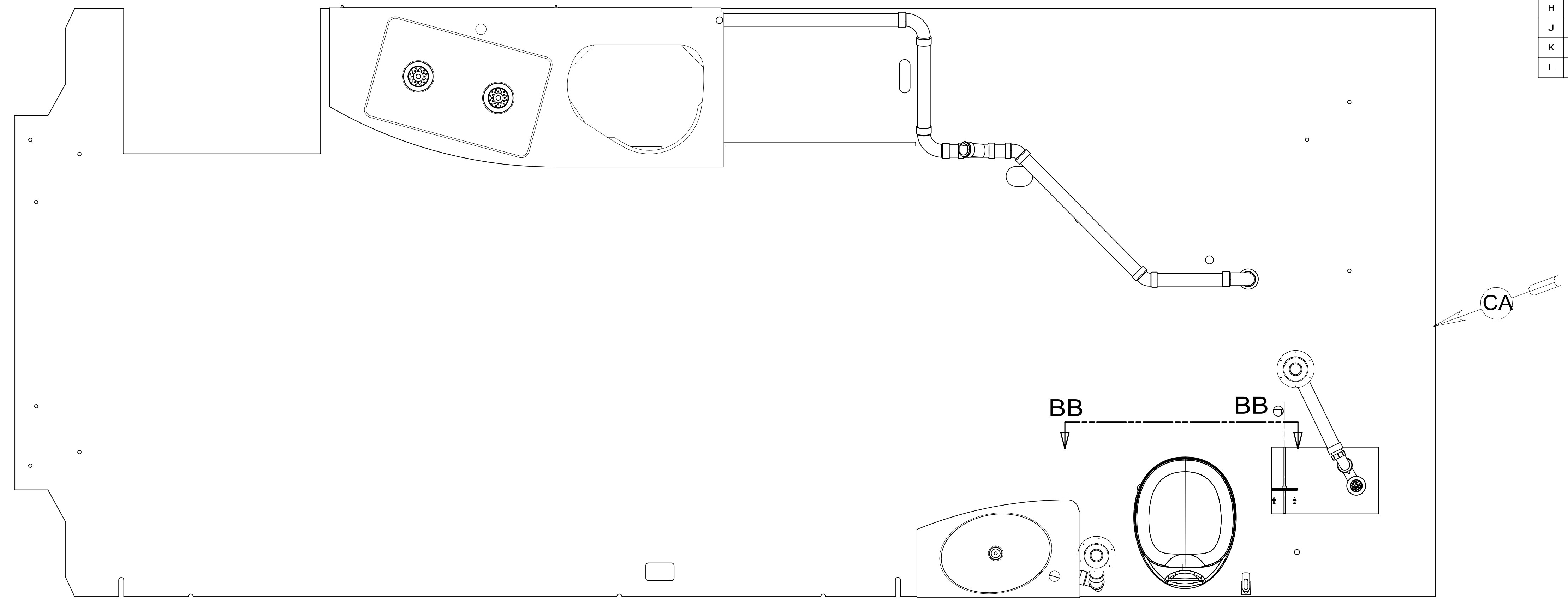


REV	ZONE	REVISION RECORD	DATE	DFTR-ORIG
A	---	INITIAL RELEASE	06/13/17	3650-6018
B	SHT2	PILOT CHGS LINE	08/09/17	9080-6018
C	SHT2	CHG W-2 TO W-3	9-1-17	8378-1600
D	SHT2	P-1 WAS P-2	09/15/17	9080-4373
E	SHT4	C-5 WAS C-2	11/03/17	9080
F	SHT2	UPDATED TUBES	11-3-17	9080
G	SHT3	011069-02-000 WAS 011069-06-000	12/21/17	9080-4373
H	----	NO DWG CHANGE, UPDATED DRAINAGE PARTS PER 000211962 REV E	1-16-18	8378-1600
J	---	000156082 WAS 127440-02-CHT	3-14-18	8378
K	SHT4	REPLACE PAD-HEATER 133972-04-000 (2) WITH 000167187 (2)	6/27/18	0654-5643
L	SHT3	UPDATED TAIL PIECE	7-25-18	8378-4186



FRONT OF COACH

- 9 REPLACE SUPPLIED STUD AND WINGNUT WITH FASTENER AND INSTALL WITH SUPPLIED RETAINING ANGLE.
- 8 PREPARE THE SURFACE PER MANUFACTURERS INSTRUCTIONS BEFORE APPLYING THE HEATING PAD.
- 7 USE SMOOTH PLUMBERS PUTTY 167459-01-000 TO SEAL STRAINER (.2 PER STAINER).
- 6 VENT PIPE MUST PROJECT 51 MIN AND 64 MAX ABOVE ROOF FOR PROPER FIT AND FUNCTION.
- 5. SEAL AROUND SHOWER WITH SILICONE.
- 4 SECURE VENT PIPE TO FLOOR WITH CLAMP 000156237 / 326663-02-000 (2), SCREW 000G67-10-12U (2), BRACKET 136878-01-CHT (2).
- 3. ALL PIPE AND FITTINGS TO BE ASSEMBLED WITH SOLVENT 004020-01-000 (USA), 004020-02-000 (CAN).
- 2. SLOPE OF TRAP ARM MUST BE 6 PER 305 mm.
- 1. SLOPE OF HORIZONTAL PIPING TO BE MIN 3 PER 305 mm.

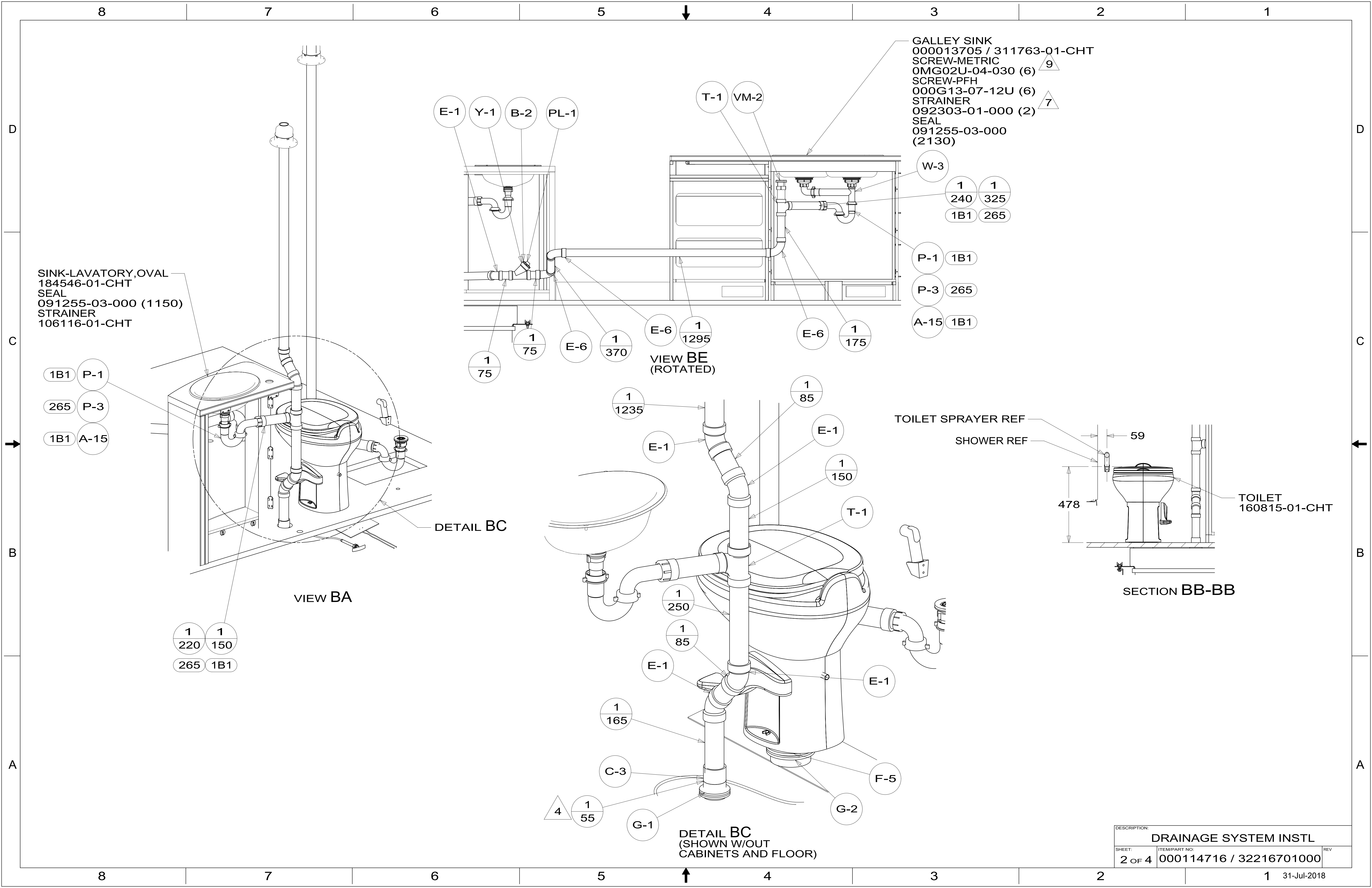
- 1B1 CODES/STANDARDS USA
- 265 CODES/STANDARDS-CSA/CMVSS
- 23T DRAINAGE SYSTEM-HEATED
- 1JD DRAINAGE SYSTEM-HEATED-W/O

**WINNEBAGO**  
COPYRIGHT 2018 WINNEBAGO INDUSTRIES, INC.

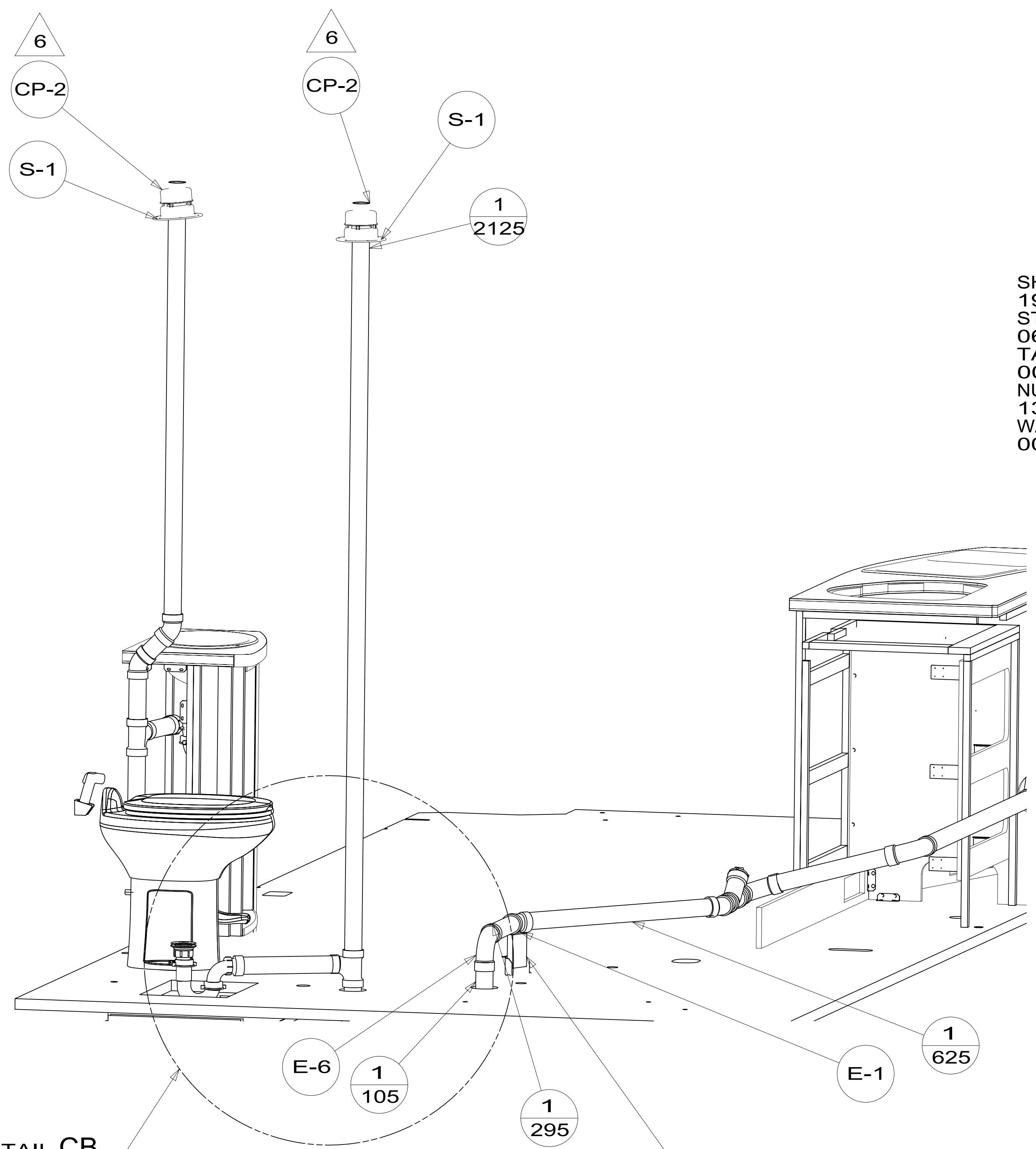
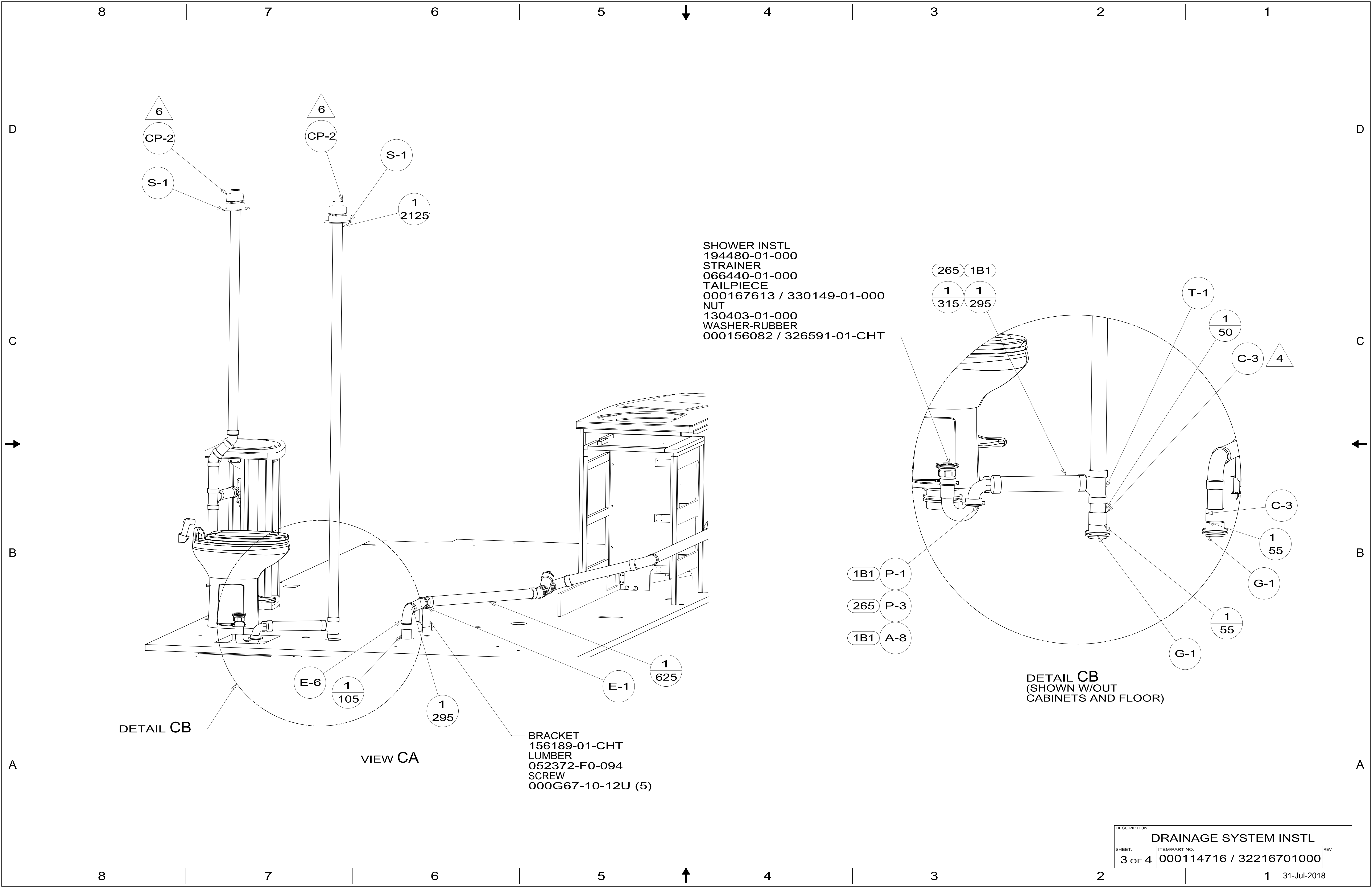
DSNR:	ALL DIMENSIONS ARE IN MILLIMETERS	
DFTR:	MATERIAL:	
UNSPECIFIED TOLERANCES:	WHOLE DIM (X) :	3
	ONE-PLACE (X.X) :	1.5
	TWO-PLACE (X.XX) :	0.50
	ANGLE :	1°
REFER TO ES0018 FOR FASTENER TIGHTENING GUIDELINES	WEIGHT: (LBS)	FIRST USED: (REF)
		18 524J
DESCRIPTION: <b>DRAINAGE SYSTEM INSTL</b>		
SHEET: 1 OF 4	ITEM/PART NO: 000114716 / 32216701000	REV:

FOR DRAINAGE CALLOUTS SEE DWG NO. 000211962 / 303370-01-000

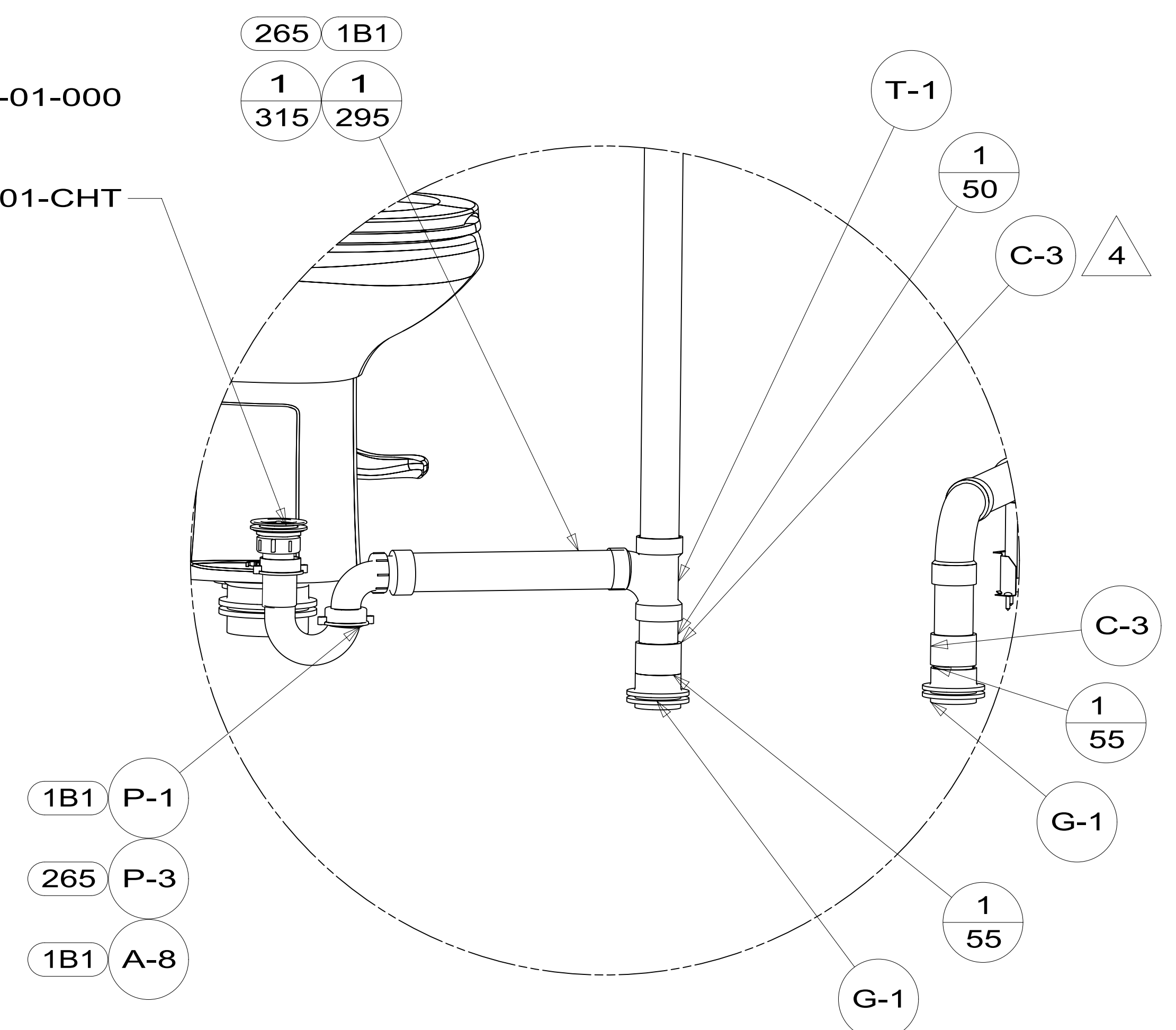
NOTES:



DESCRIPTION:		
DRAINAGE SYSTEM INSTL		
SHEET:	ITEM/PART NO:	REV
2 OF 4	000114716 / 32216701000	



SHOWER INSTL  
 194480-01-000  
 STRAINER  
 066440-01-000  
 TAILPIECE  
 000167613 / 330149-01-000  
 NUT  
 130403-01-000  
 WASHER-RUBBER  
 000156082 / 326591-01-CHT

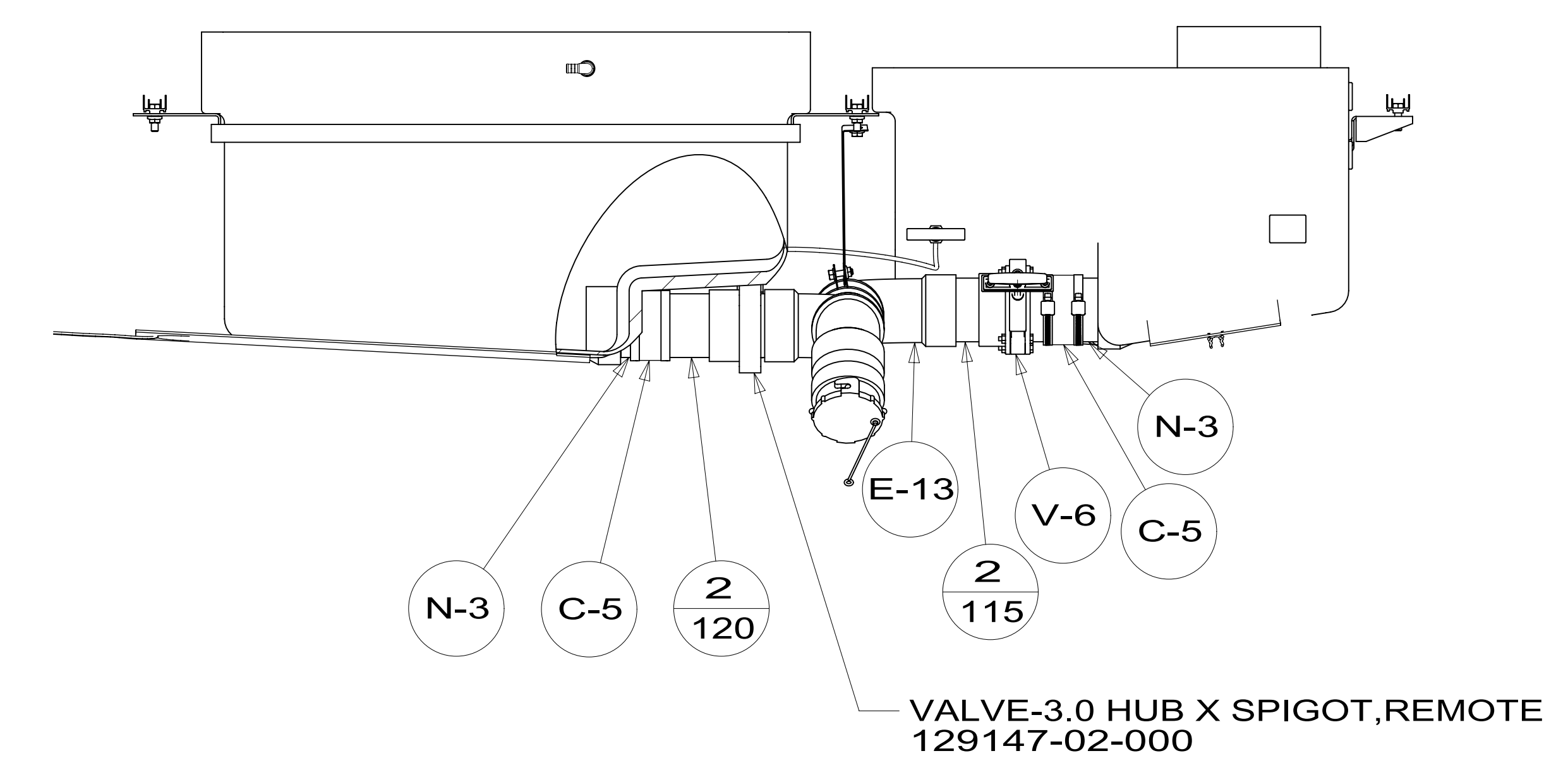


**DETAIL CB**  
 (SHOWN W/OUT  
 CABINETS AND FLOOR)

BRACKET  
 156189-01-CHT  
 LUMBER  
 052372-F0-094  
 SCREW  
 000G67-10-12U (5)

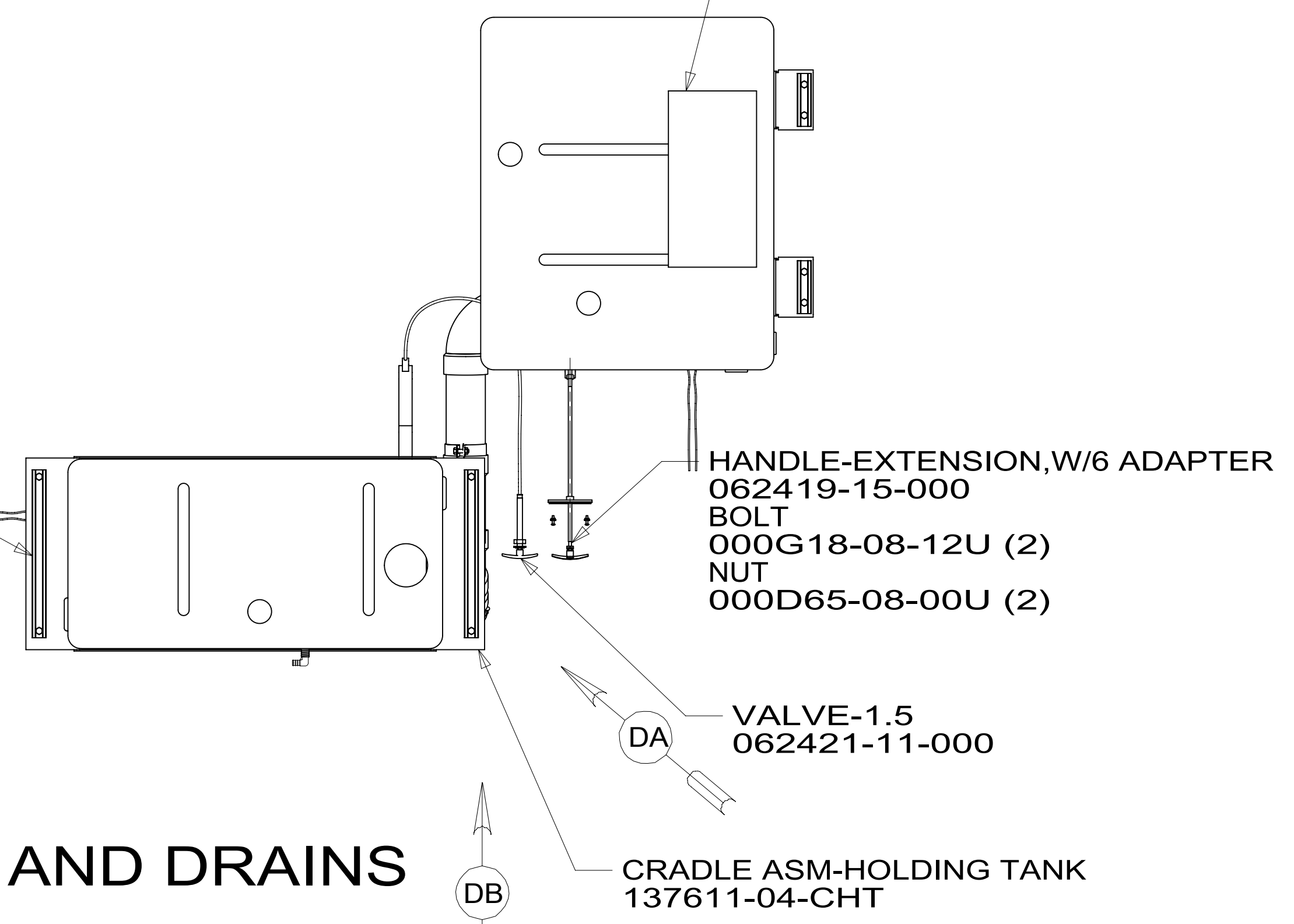
DESCRIPTION:		
<b>DRAINAGE SYSTEM INSTL</b>		
SHEET:	ITEM/PART NO.:	REV
3 OF 4	000114716 / 32216701000	

8 7 6 5 4 3 2 1

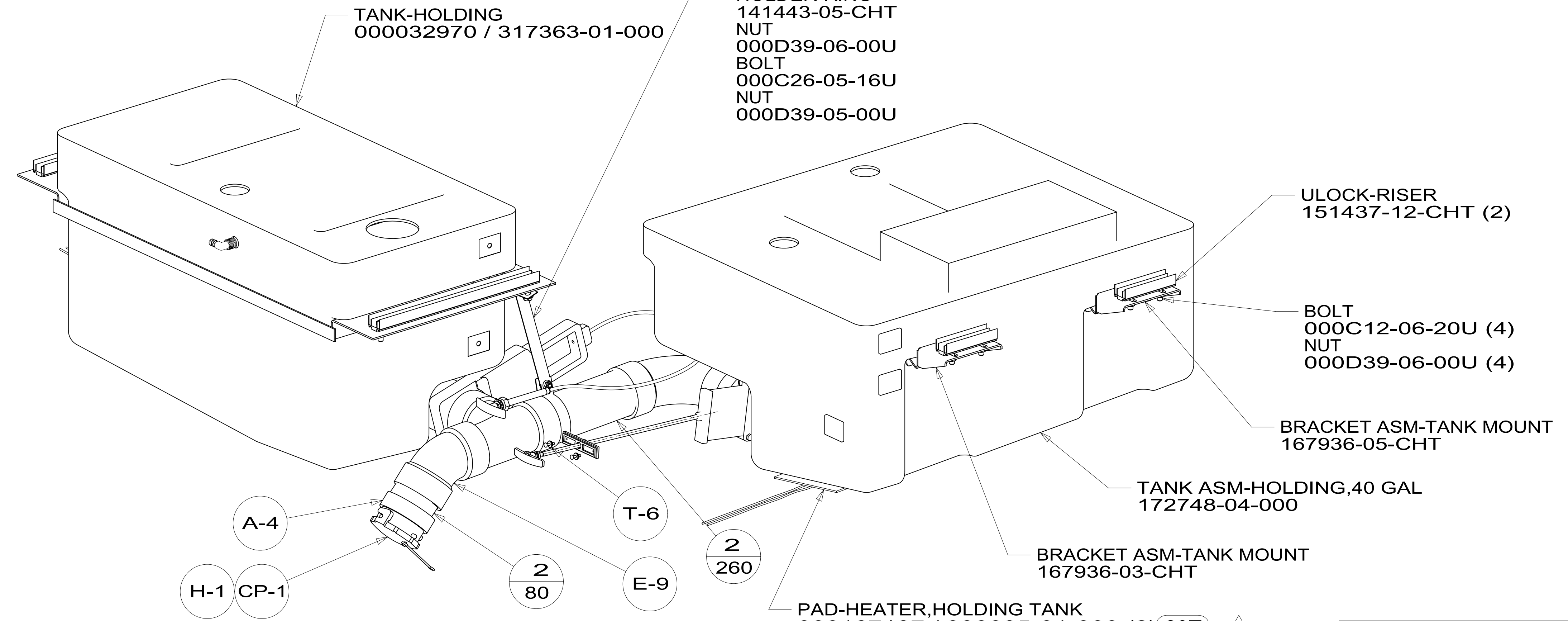


VIEW DB

- ULOCK-RISER 151437-10-CHT (2)
- BOLT 000C12-06-20U (4)
- NUT 000D39-06-00U (4)



SHOWING TANKS AND DRAINS



VIEW DA

8

8 7 6 5 4 3 2 1

DESCRIPTION:		
DRAINAGE SYSTEM INSTL		
SHEET:	ITEM/PART NO:	REV
4 OF 4	000114716 / 32216701000	