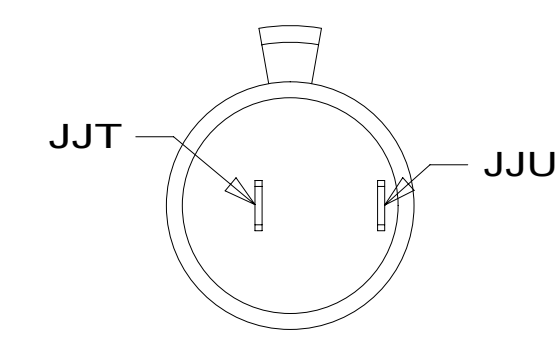
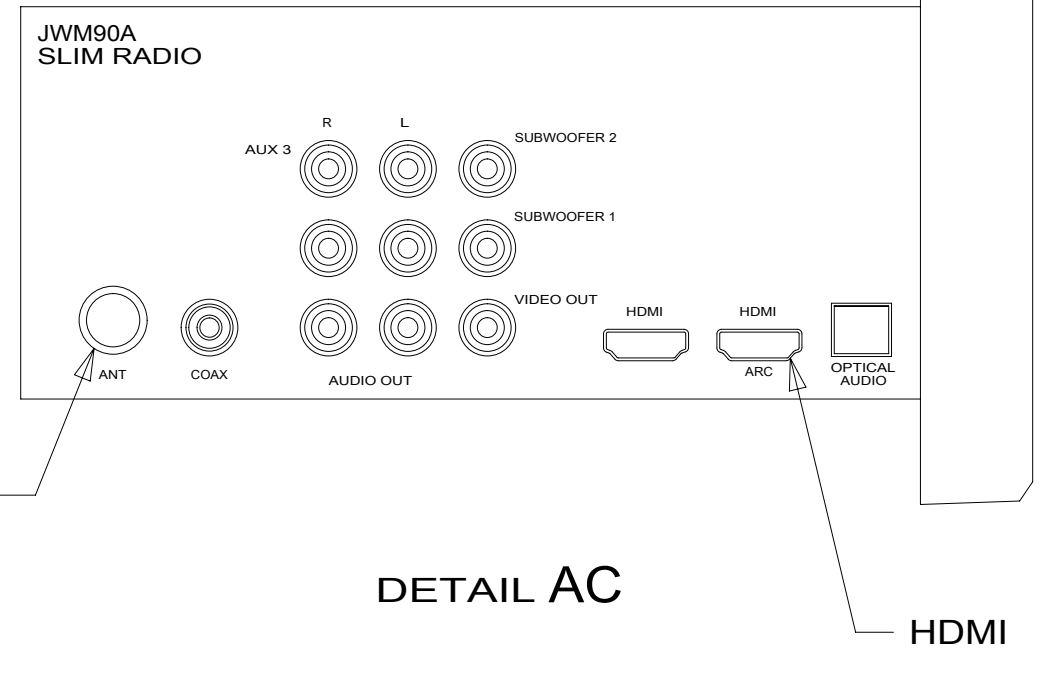


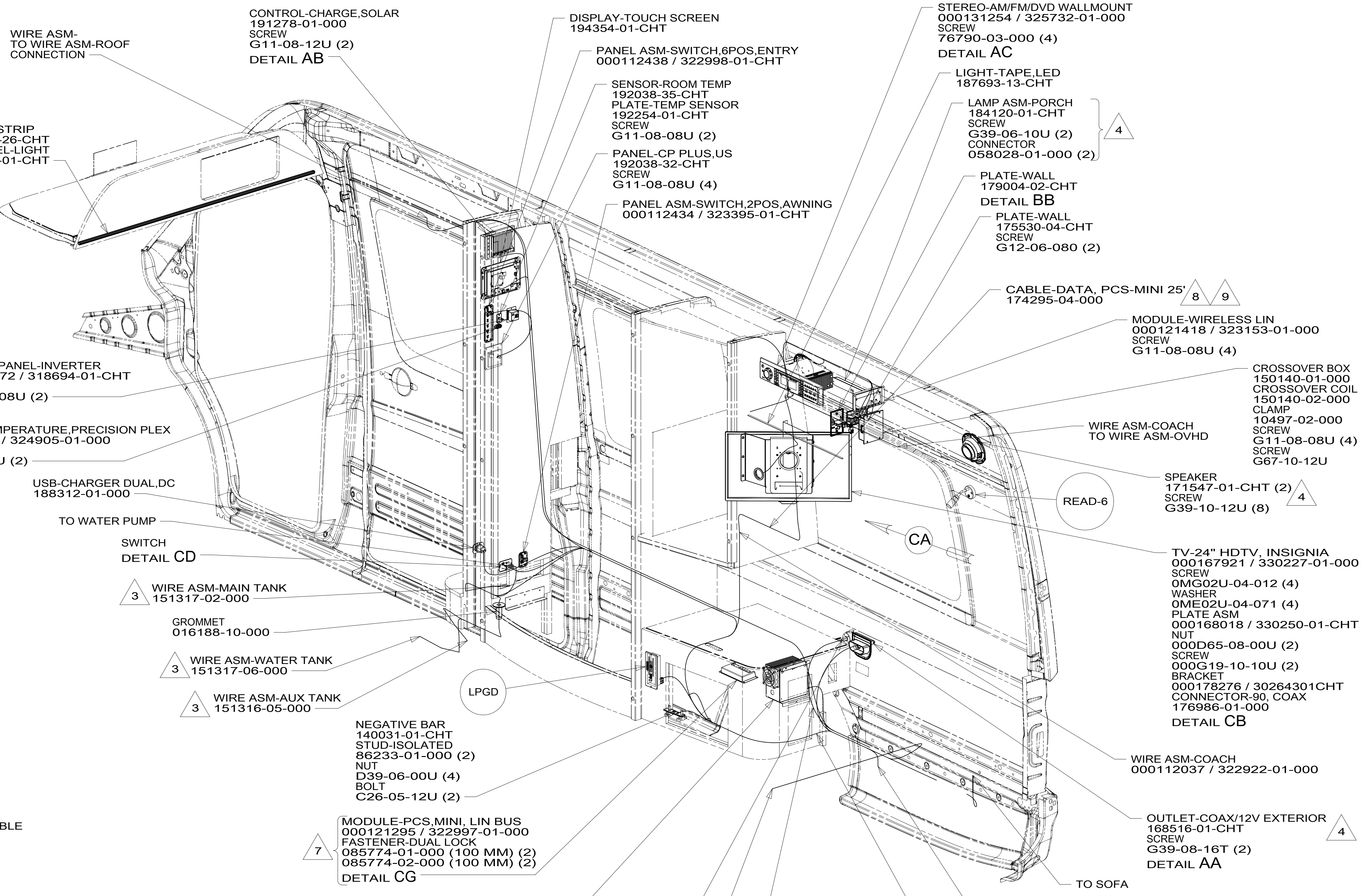
DETAIL AB 6



DETAIL AA



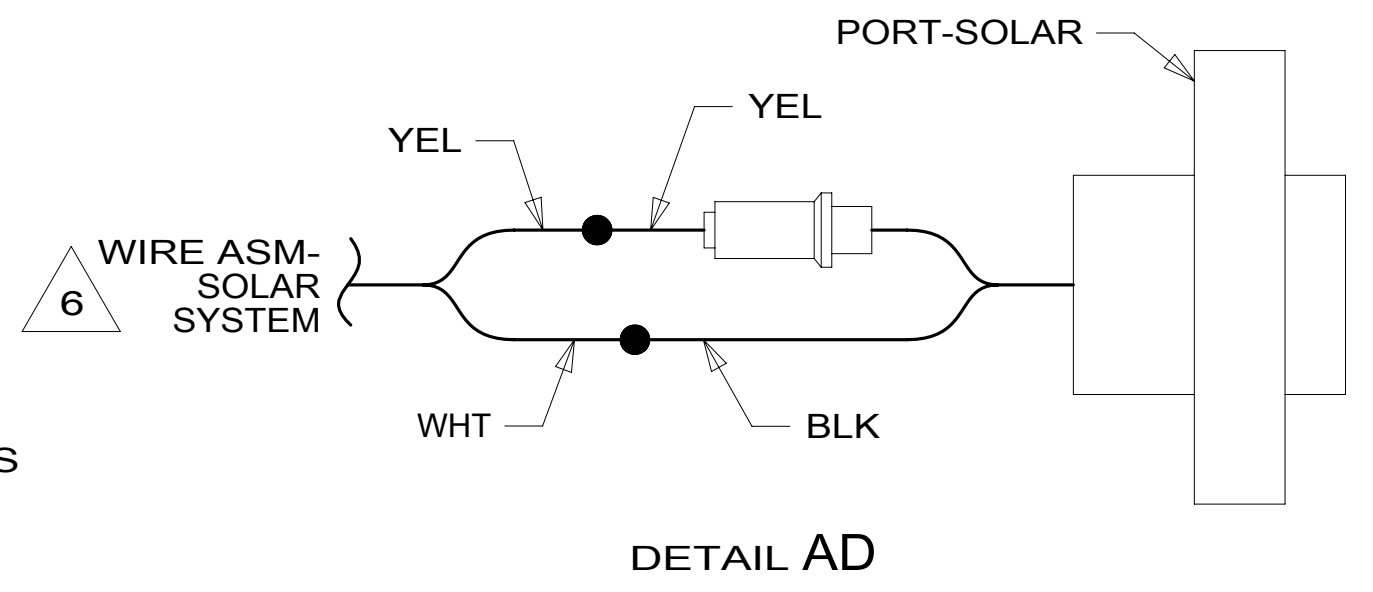
DETAIL AC



- 9 ROUTE DATA CABLE FROM A/C MODULE WITH RED 110 V CABLE TO PCS MODULE NEAR CONVERTER.
- 8 WIRE TO BE MARKED WITH WRAP OF ORG TAPE 19MM WIDE WITHIN 50MM OF END.
- 7 MOUNT TO TOP OF WHEEL WELL. CLEAN SURFACES.
- 6 SEE WIRE ASM-SOLAR SYSTEM AND WIRING INSTL-CHASSIS FOR ADDITIONAL INFORMATION.
- 5 CUT TO LENGTH NEEDED TO FIT CABINET.
- 4 MOUNT ON EXTERIOR SURFACE OF VAN SIDEWALL.
- 3 PLACE CROSS LOCATOR ON SENSORS OVER DIMPLES ON TANK.

2. ROUTE TANK SENSOR WIRES SO THEY DO NOT PASSOVER SENSORS. USE WIRE TIE MOUNT 155366-01-000 AND WIRE TIE 8343-01-000 AS NEEDED. TANK SURFACE MUST BE CLEANED USING ISOPROPYL ALCOHOL AND PRIMED WITH PRIMER 94.
1. AT MINIMUM ALL WIRES TO BE SUPPORTED AND SECURED PER CODE REQUIREMENTS. USE CLAMP 10495 OR 10497 OR WIRE TIE 8343 OR 108046 AND SCREW G67-XX-XXX OR G56-XX-XXX AS APPROPRIATE FOR INSTALLATION.

NOTES:



DETAIL AD

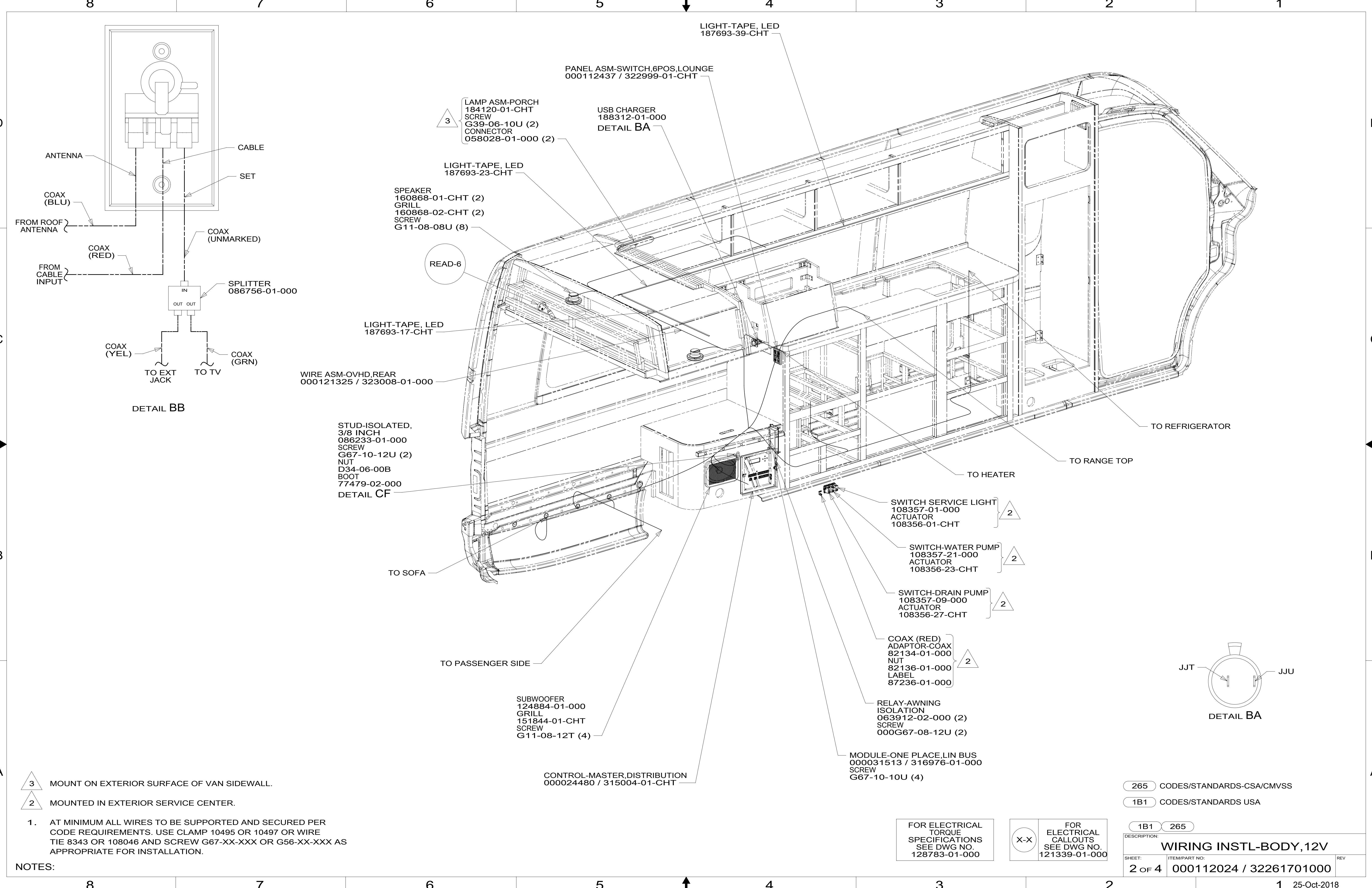
FOR ELECTRICAL TORQUE SPECIFICATIONS SEE DWG NO. 128783-01-000

FOR ELECTRICAL CALLOUTS SEE DWG NO. 121339-01-000

265 CODES/STANDARDS-CSA/CMVSS  
 1B1 CODES/STANDARDS USA  
 1B1 265



DSNR:		ALL DIMENSIONS ARE IN MILLIMETERS	
DIFFR:		MATERIAL:	
UNSPECIFIED TOLERANCES:	WHOLE DIM (X)	±	3
	ONE-PLACE (X.X)	±	1.5
	TWO-PLACE (X.XX)	±	0.50
	ANGLE	±	1°
REFER TO ES0018 FOR FASTENER TIGHTENING GUIDELINES		WEIGHT: (LBS)	FIRST USED:
			18 170B
<b>DESCRIPTION:</b>			
<b>WIRING INSTL-BODY, 12V</b>			
SHEET:	ITEM/PART NO.:	REF:	REV
1 OF 4	000112024 / 32261701000		



- 3 MOUNT ON EXTERIOR SURFACE OF VAN SIDEWALL.
- 2 MOUNTED IN EXTERIOR SERVICE CENTER.

1. AT MINIMUM ALL WIRES TO BE SUPPORTED AND SECURED PER CODE REQUIREMENTS. USE CLAMP 10495 OR 10497 OR WIRE TIE 8343 OR 108046 AND SCREW G67-XX-XXX OR G56-XX-XXX AS APPROPRIATE FOR INSTALLATION.

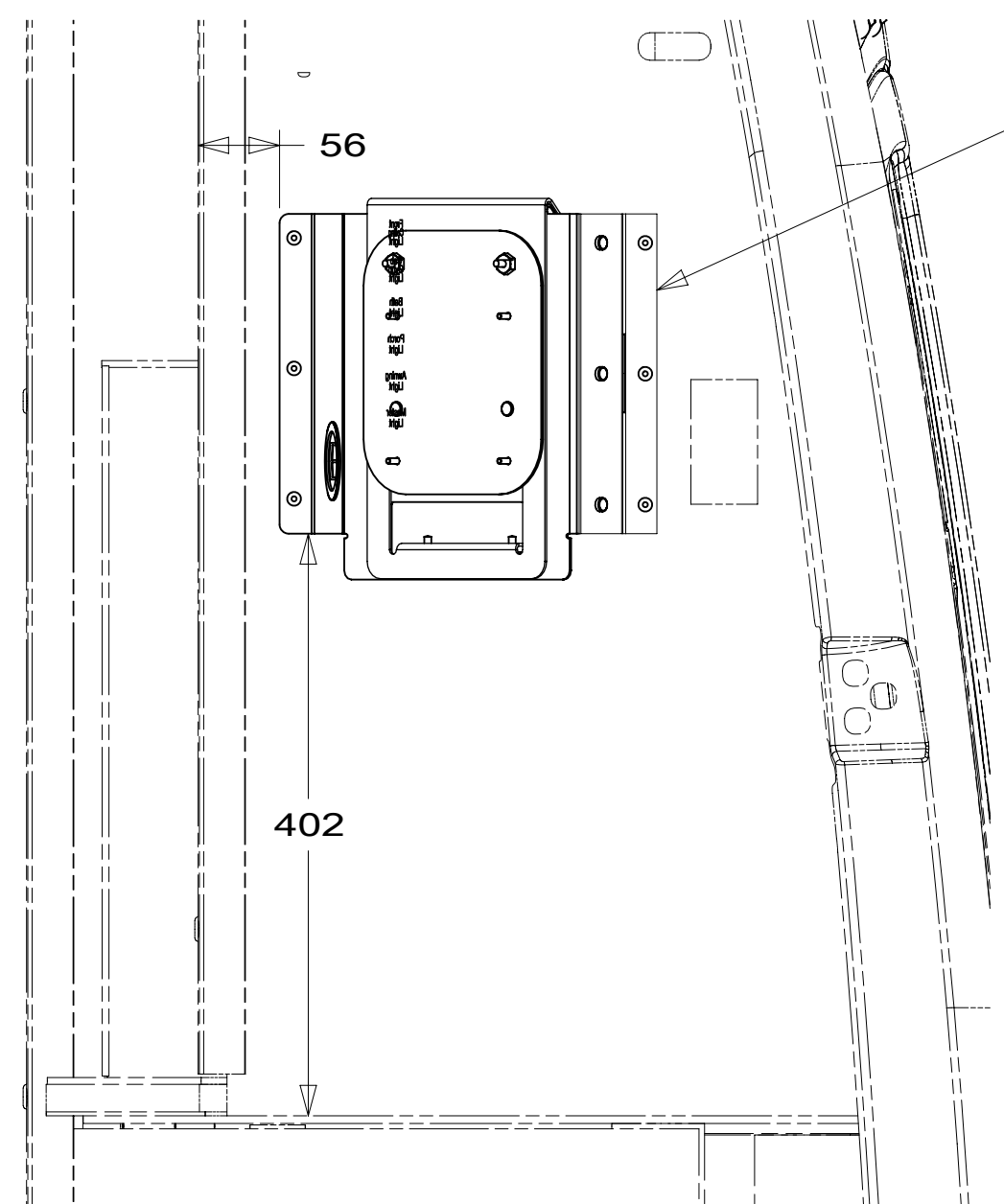
NOTES:

FOR ELECTRICAL TORQUE SPECIFICATIONS SEE DWG NO. 128783-01-000

FOR ELECTRICAL CALLOUTS SEE DWG NO. 121339-01-000

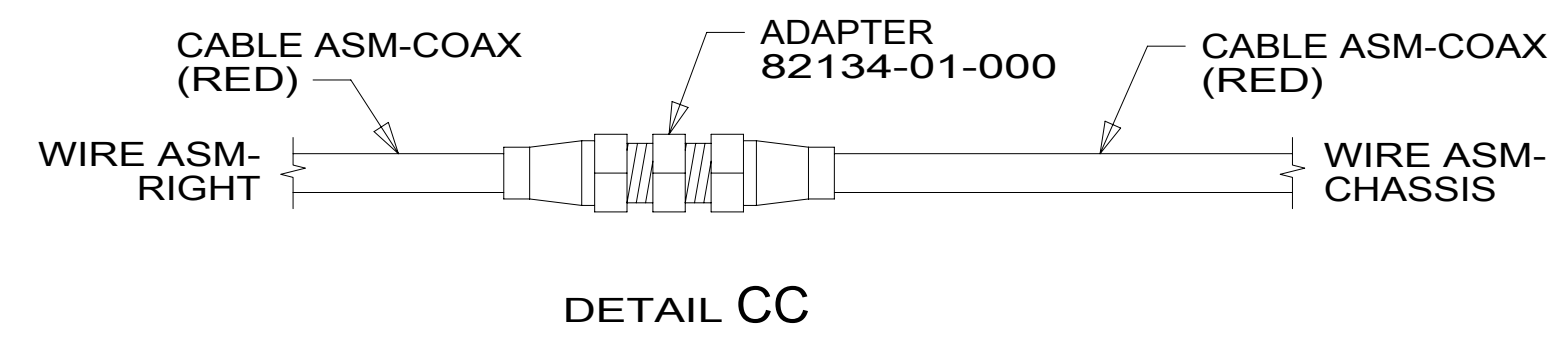
- 265 CODES/STANDARDS-CSA/CMVSS
- 1B1 CODES/STANDARDS USA

<span style="border: 1px solid black; padding: 2px;">1B1</span> <span style="border: 1px solid black; padding: 2px;">265</span>	
DESCRIPTION: <b>WIRING INSTL-BODY, 12V</b>	
SHEET: 2 OF 4	ITEM/PART NO: 000112024 / 32261701000
REV 1 25-Oct-2018	

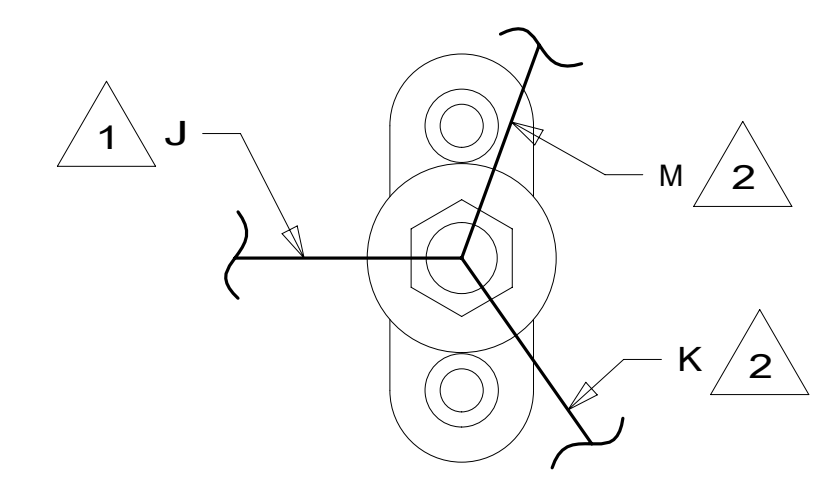


- BRACKET-TV,24INSIGNIA  
000178331 / 302677-01-CHT
- BRACKET-TV  
192438-02-CHT
- SCREW  
G39-10-08U (5)
- G11-10-12U (6)
- GROMMET  
114208-05-000 (2)

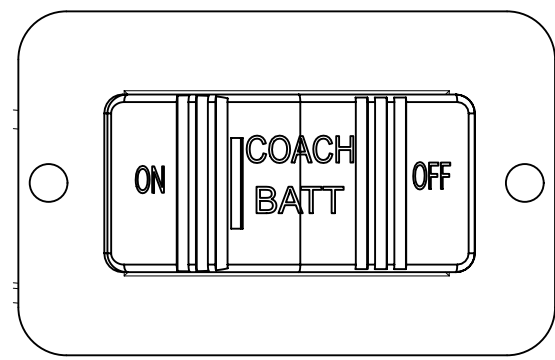
VIEW CA  
(TV NOT SHOWN)



DETAIL CC

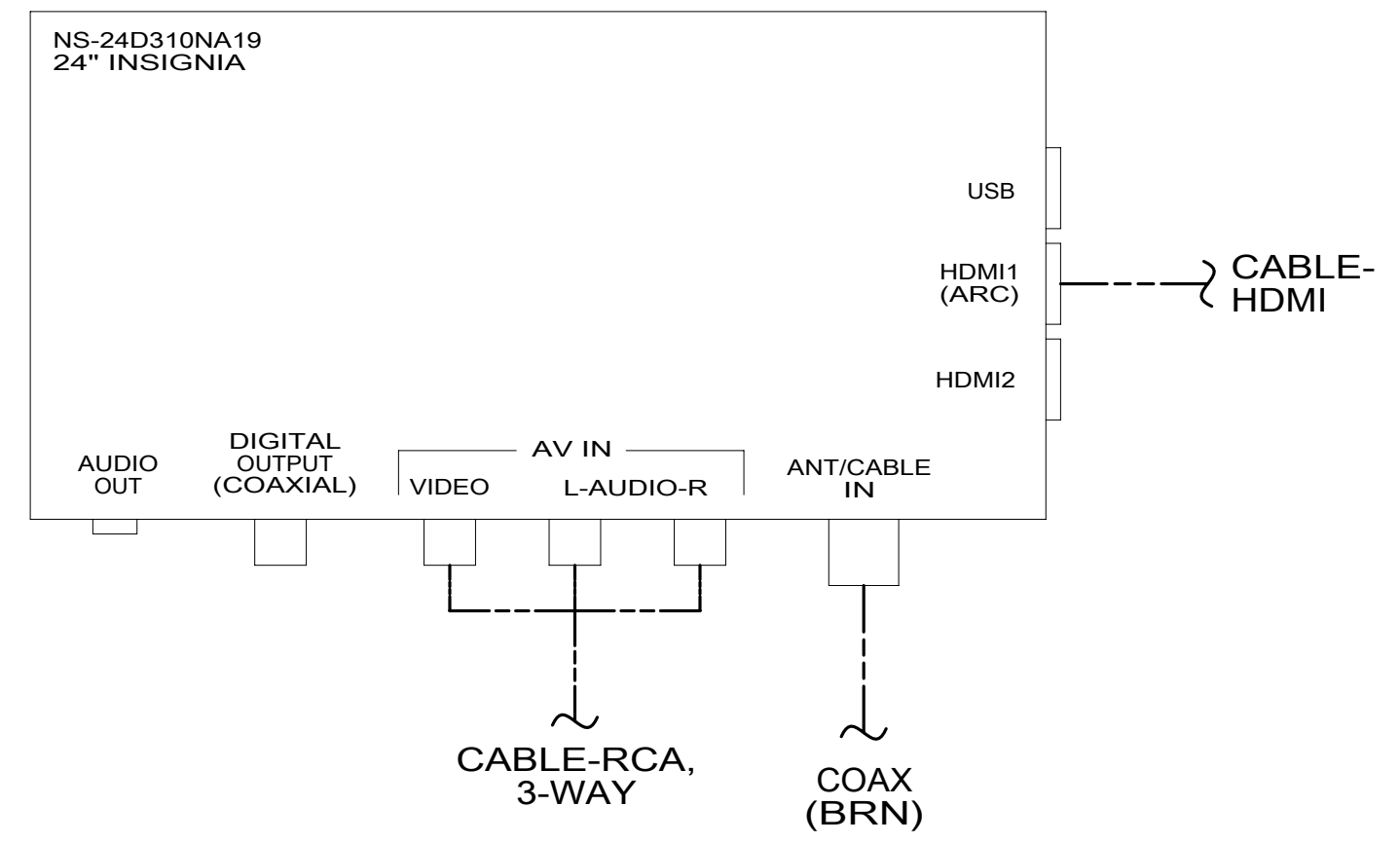


DETAIL CF

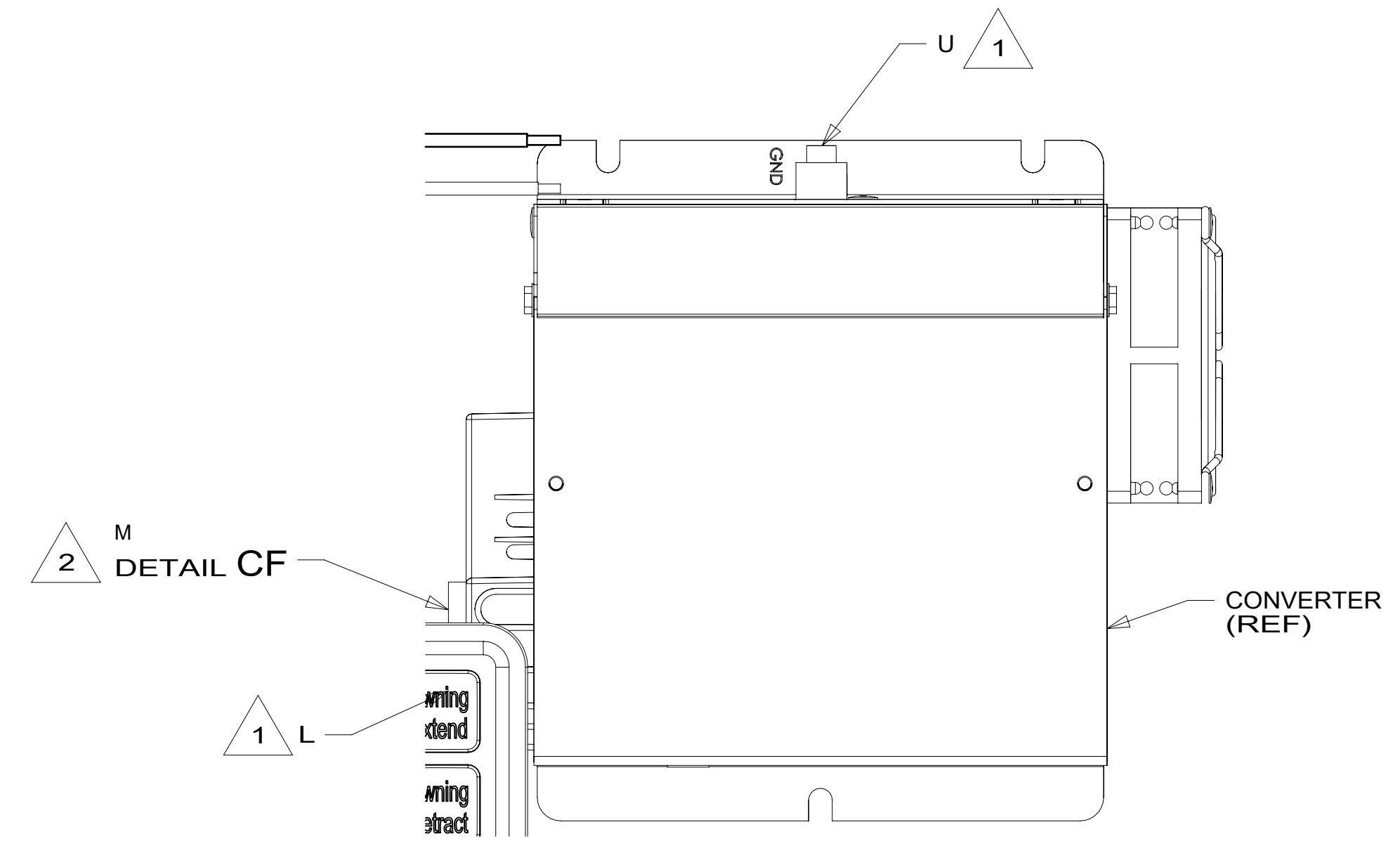


DETAIL CD

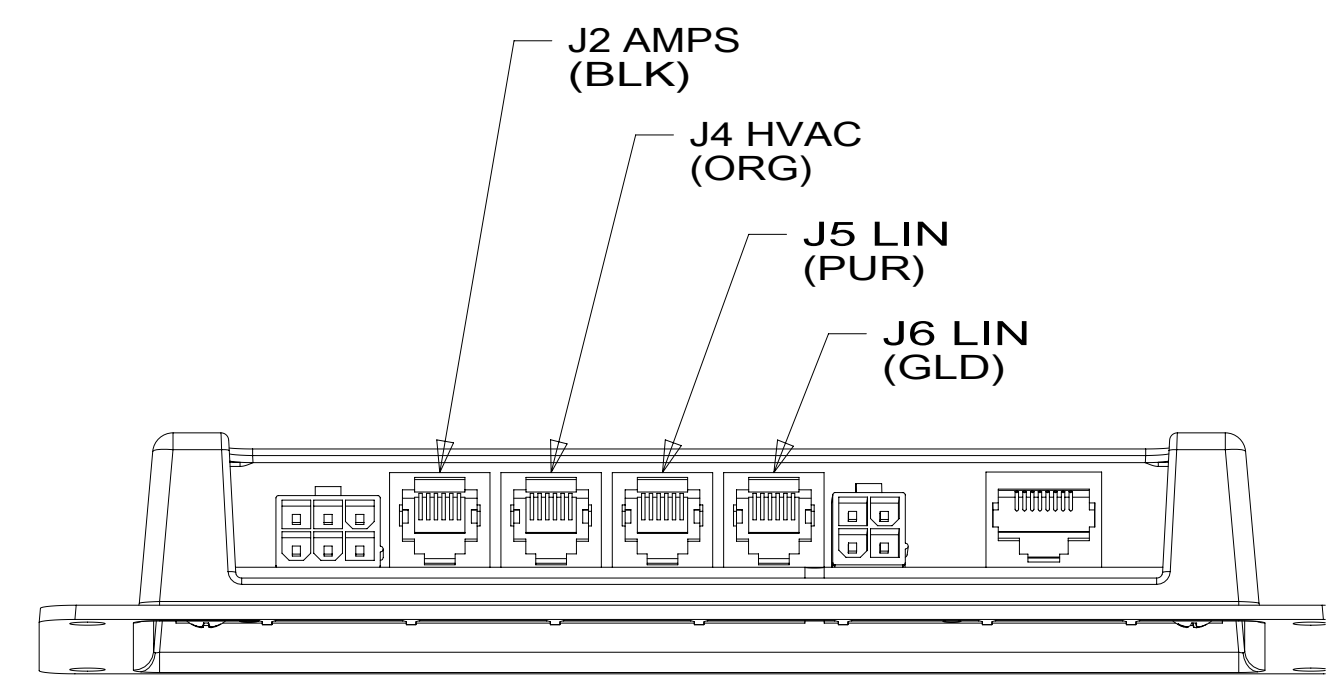
- SWITCH-BATTERY,DISC  
108357-18-000
- ACTUATOR-SWITCH  
108356-19-CHT
- PLATE-SWITCH  
144363-02-CHT
- SCREW  
G11-06-10U (2)
- WIRE ASM-THERMISTOR  
186796-01-000



DETAIL CB



DETAIL CE



DETAIL CG

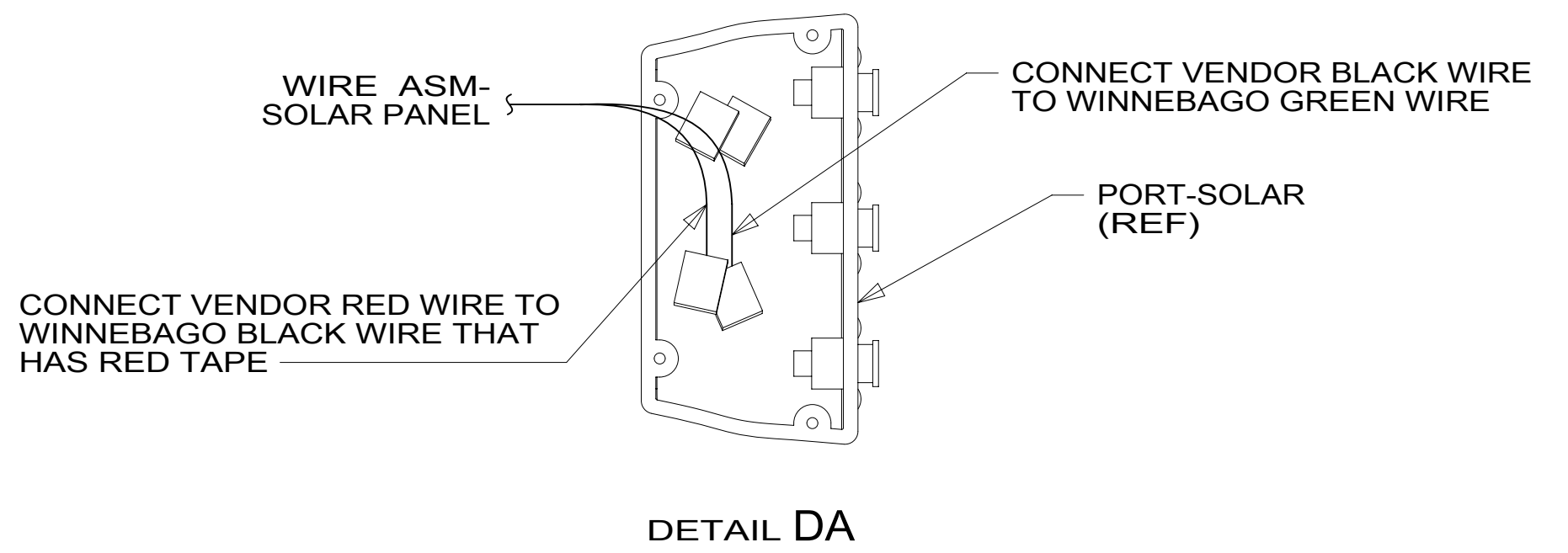
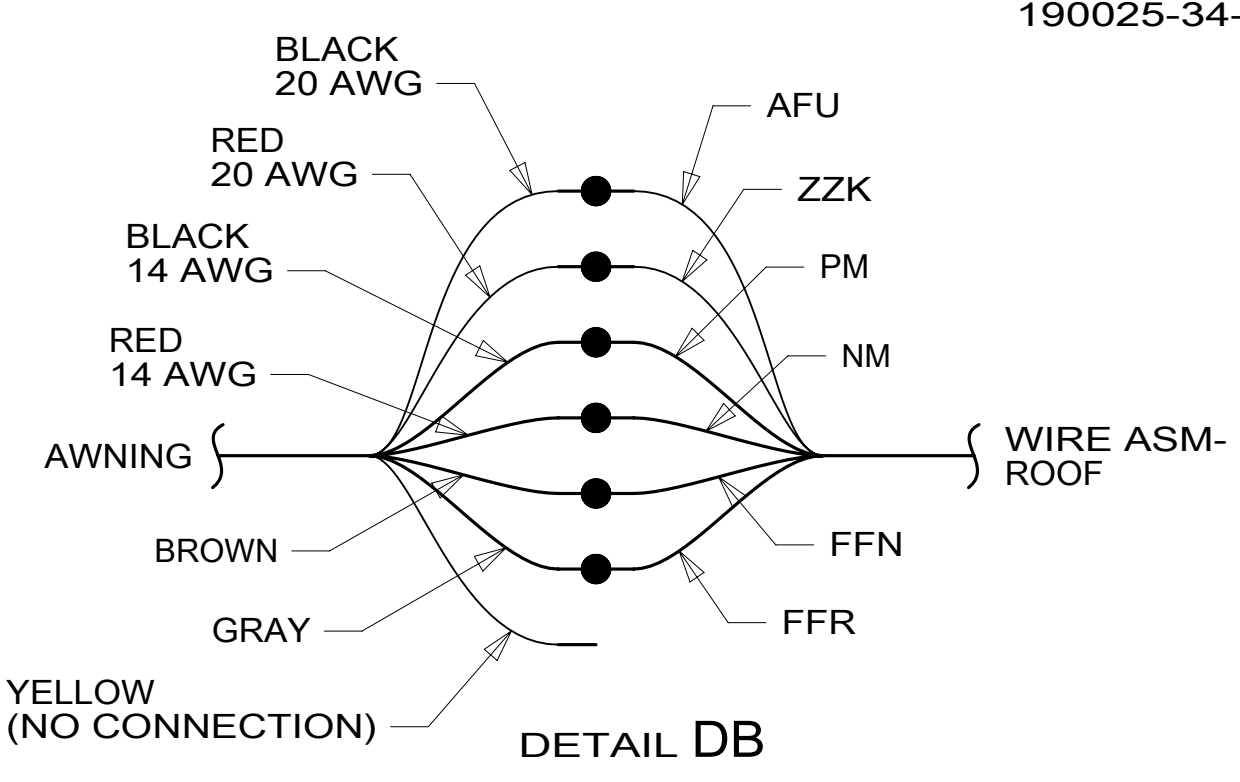
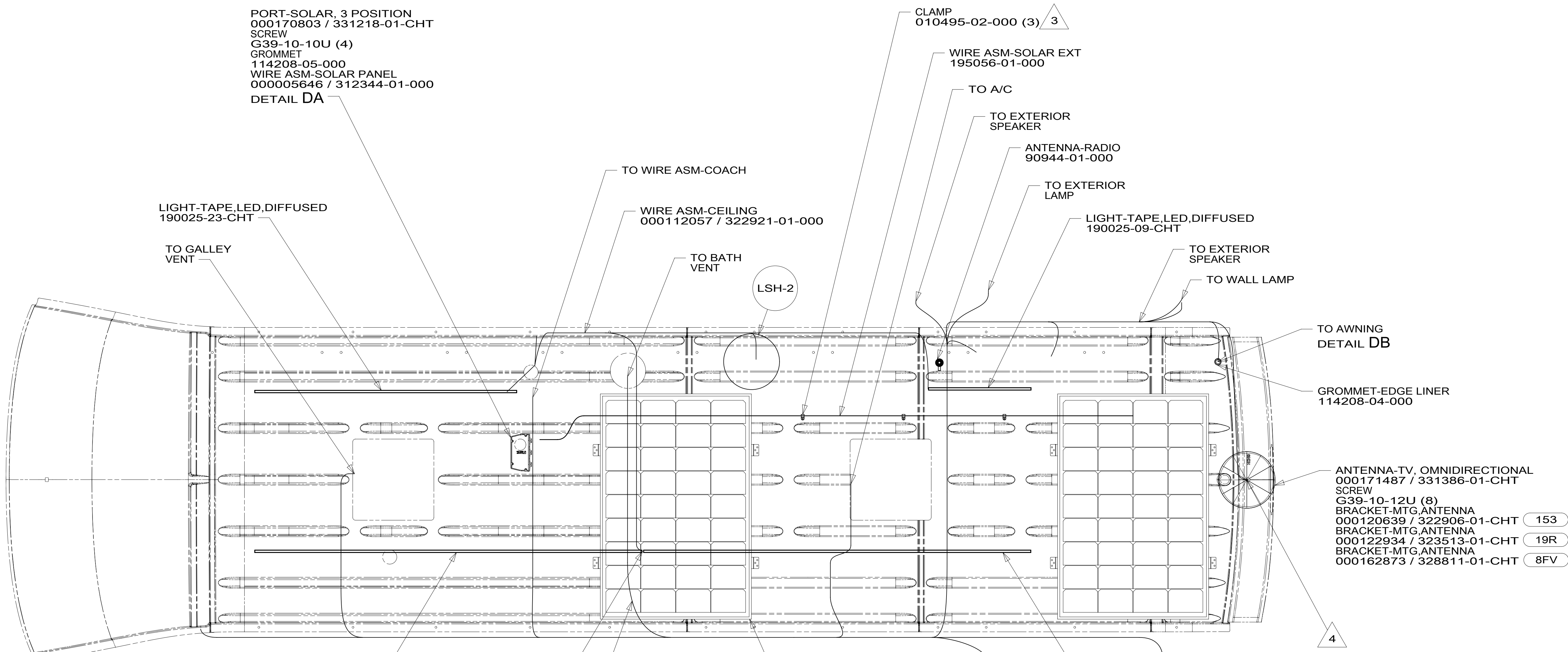
- NOTES:
- 2 CIRCUIT FROM WIRE ASM-COACH.
  - 1 CIRCUIT FROM WIRE ASM-CHASSIS

FOR ELECTRICAL TORQUE SPECIFICATIONS SEE DWG NO. 128783-01-000

FOR ELECTRICAL CALLOUTS SEE DWG NO. 121339-01-000

- 265 CODES/STANDARDS-CSA/CMVSS
- 1B1 CODES/STANDARDS USA

DESCRIPTION:		1B1	265
<b>WIRING INSTL-BODY, 12V</b>			
SHEET:	ITEM/PART NO.:	REV	
3 OF 4	000112024 / 32261701000		



- 5 USE NUTS AND BOLTS SUPPLIED WITH MOUNTING FEET TO ATTACH BRACKET TO SOLAR PANEL WITH 35B
- 4 DRILL 19 MM HOLE THROUGH PLUG.
- 3 ATTACH CLAMPS WHEN MOUNTING A/C SUPPORT PANEL. SEE A/C SYSTEM INSTALLATION FOR ADDITIONAL INFORMATION.
- 2 MOUNTED ON EXTERIOR SURFACE OF ROOF.
1. AT MINIMUM ALL WIRES TO BE SUPPORTED AND SECURED PER CODE REQUIREMENTS. USE CLAMP 10495 OR 10497 OR WIRE TIE 8343 OR 108046 AND SCREW G67-XX-XXX OR G56-XX-XXX AS APPROPRIATE FOR INSTALLATION.

FOR ELECTRICAL TORQUE SPECIFICATIONS SEE DWG NO. 128783-01-000

FOR ELECTRICAL CALLOUTS SEE DWG NO. 121339-01-000

- 8FV MERCEDES CHASSIS UPGRADE PKG
- 19R RADIO/REARVIEW MONITOR SYS
- 153 LG SCREEN-INFO/GPS SIRIUSXM
- 35B LUGGAGE RACK
- 265 CODES/STANDARDS-CSA/CMVSS
- 1B1 CODES/STANDARDS USA

DESCRIPTION: <b>WIRING INSTL-BODY, 12V</b>	
SHEET: 4 OF 4	ITEM/PART NO: 000112024 / 32261701000
REV 25-Oct-2018	