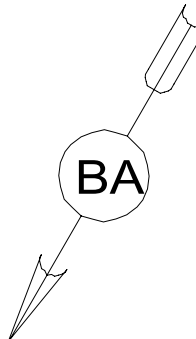
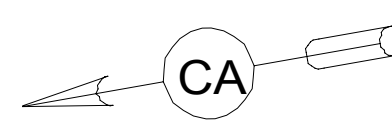
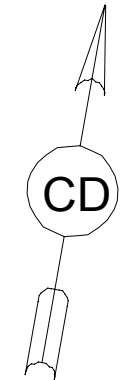
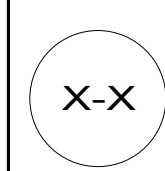


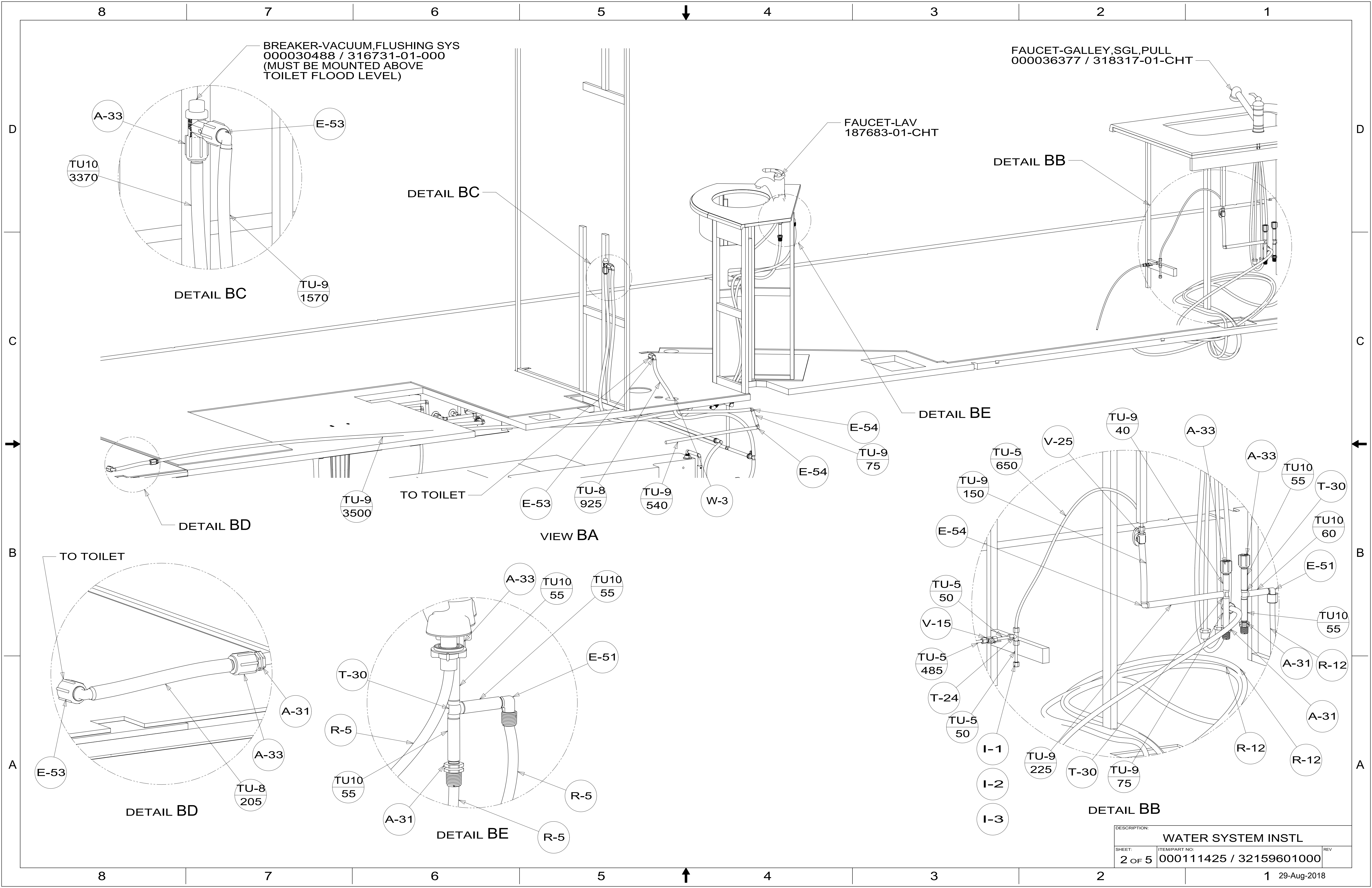
- 1BU WTR HTR TKLS W/RECIRCUL PUMP
- 21M WASHER/DRYER PREP
- 21S WASHER & DRYER-PAIR



DSNR:		ALL DIMENSIONS ARE IN MILLIMETERS	
DFT:		MATERIAL:	
UNSPECIFIED TOLERANCES:			
WHOLE DIM (X)	3		
ONE-PLACE (X.X)	1.5		
TWO-PLACE (X.XX)	0.50		
ANGLE	1°		
REFER TO ES0018 FOR FASTENER TIGHTENING GUIDELINES		WEIGHT: (LBS)	FIRST USED: (REF)
			18 L38F
DESCRIPTION: WATER SYSTEM INSTL			
SHEET:	ITEM/PART NO.:	REV	
1 OF 5	000111425 / 32159601000		
REF:		1 29-Aug-2018	

FOR WATER CALLOUTS SEE DWG NO. 000209446 / 303369-01-000





BREAKER-VACUUM, FLUSHING SYS
000030488 / 316731-01-000
(MUST BE MOUNTED ABOVE
TOILET FLOOD LEVEL)

FAUCET-GALLEY, SGL, PULL
000036377 / 318317-01-CHT

FAUCET-LAV
187683-01-CHT

DETAIL BC

DETAIL BB

DETAIL BC

DETAIL BE

DETAIL BD

VIEW BA

DETAIL BB

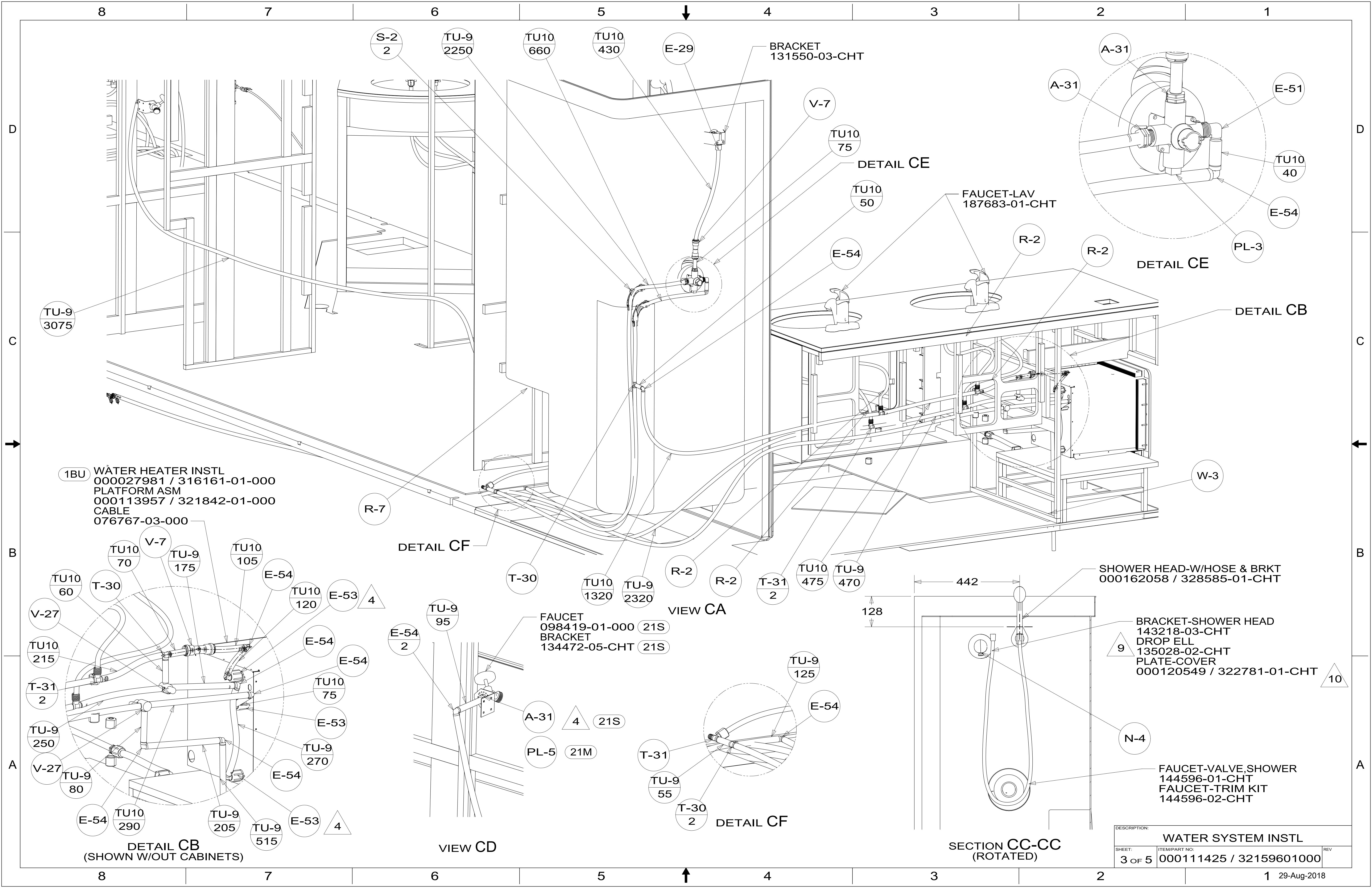
TO TOILET

TO TOILET

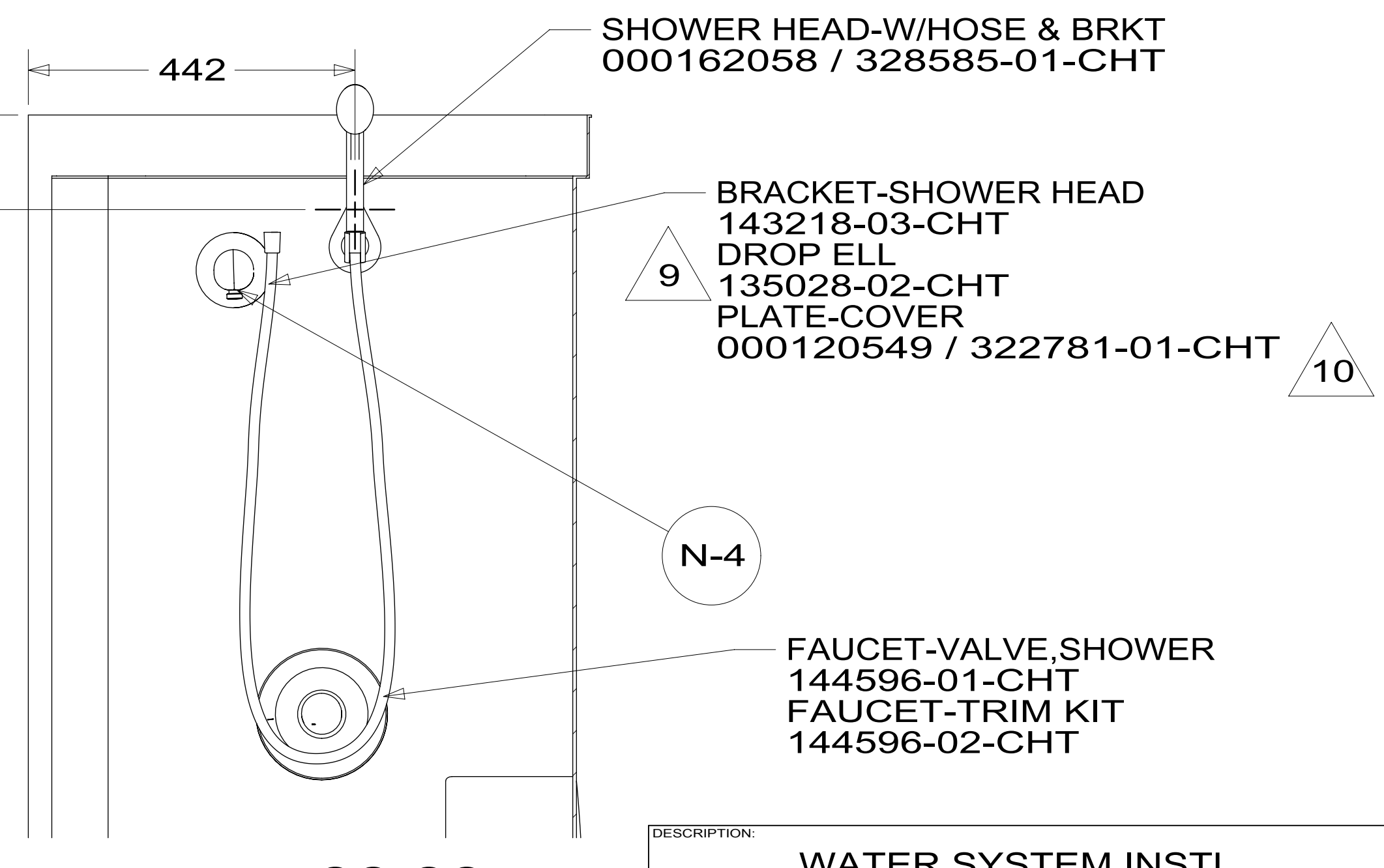
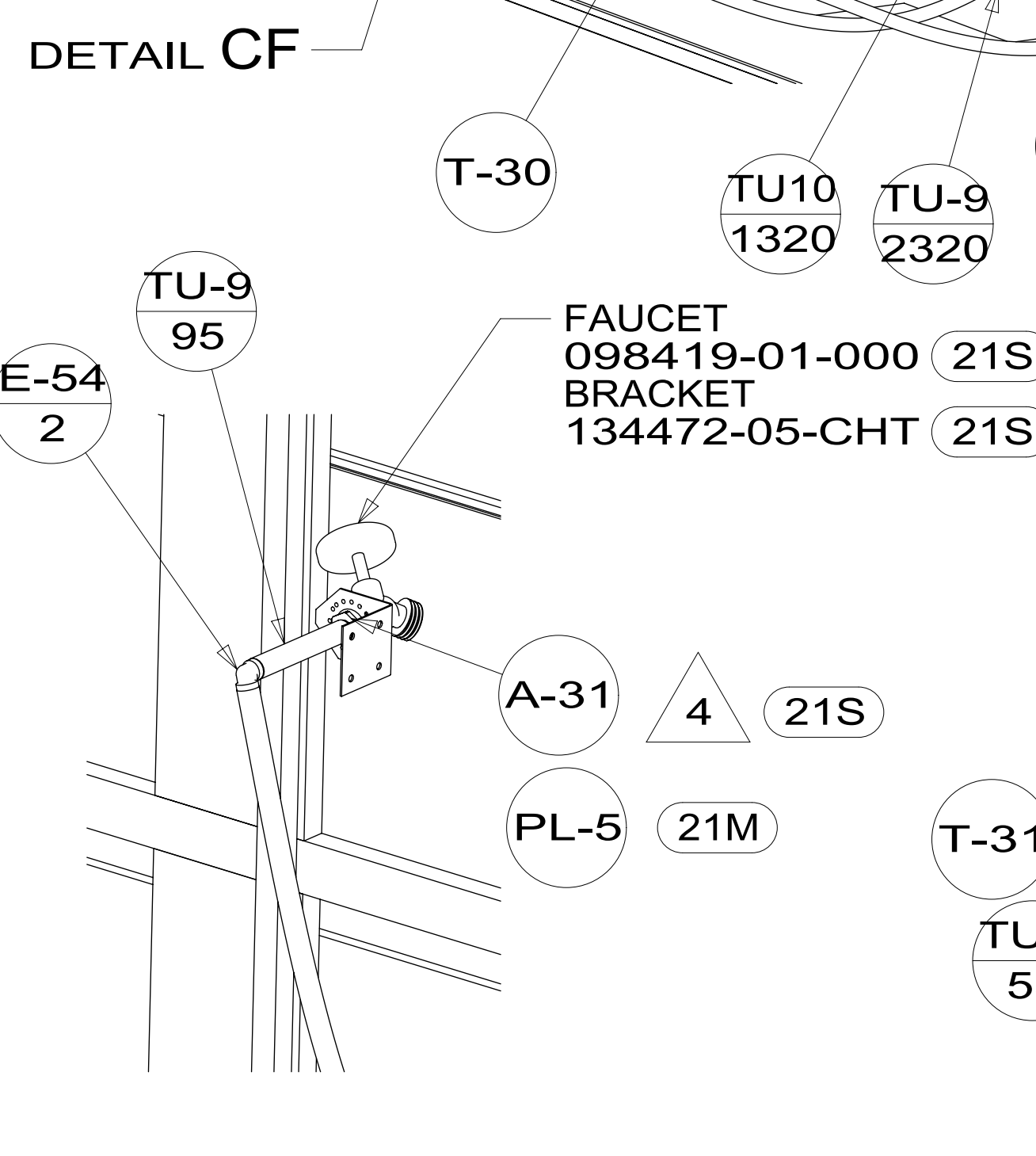
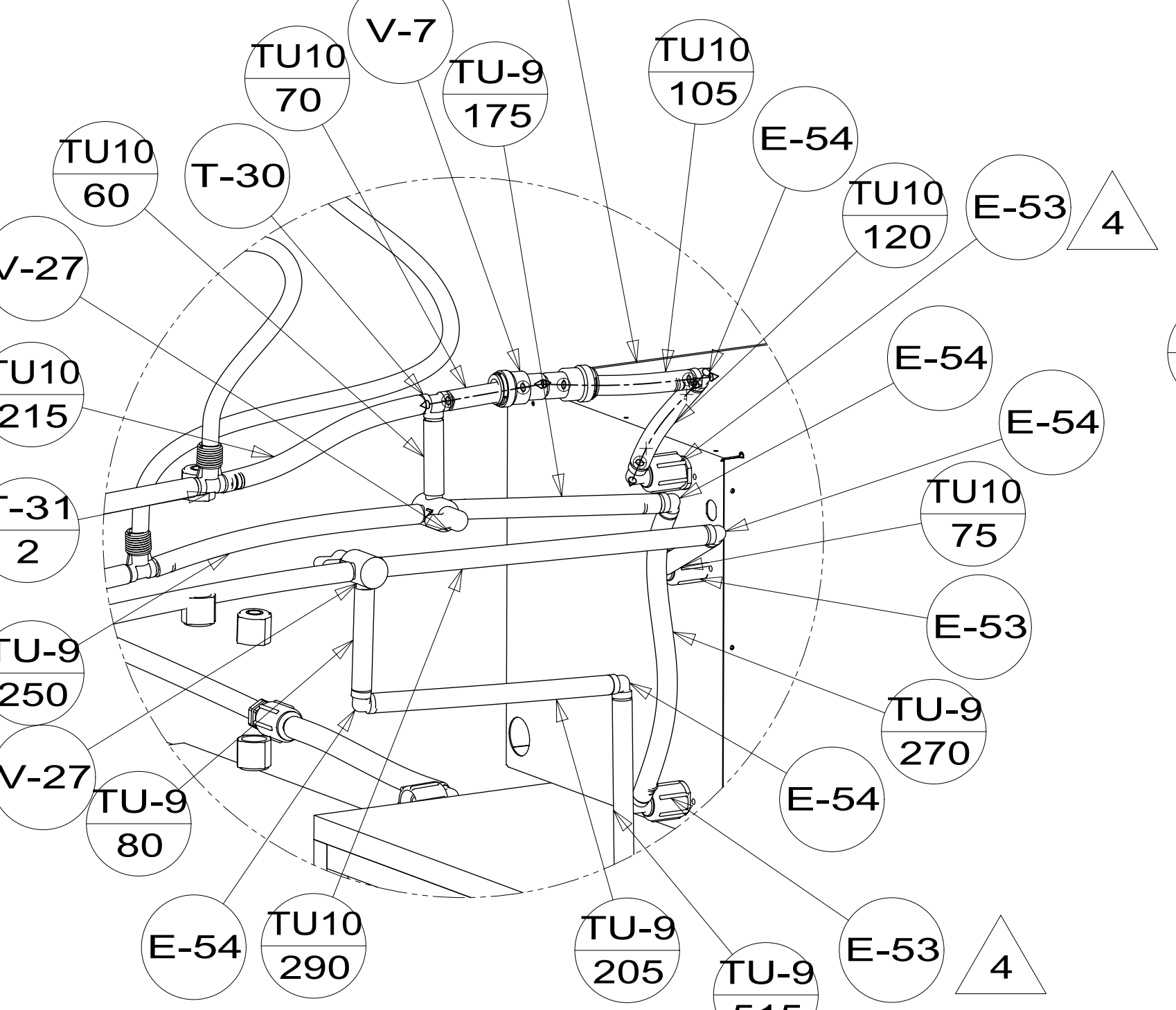
DETAIL BD

DETAIL BE

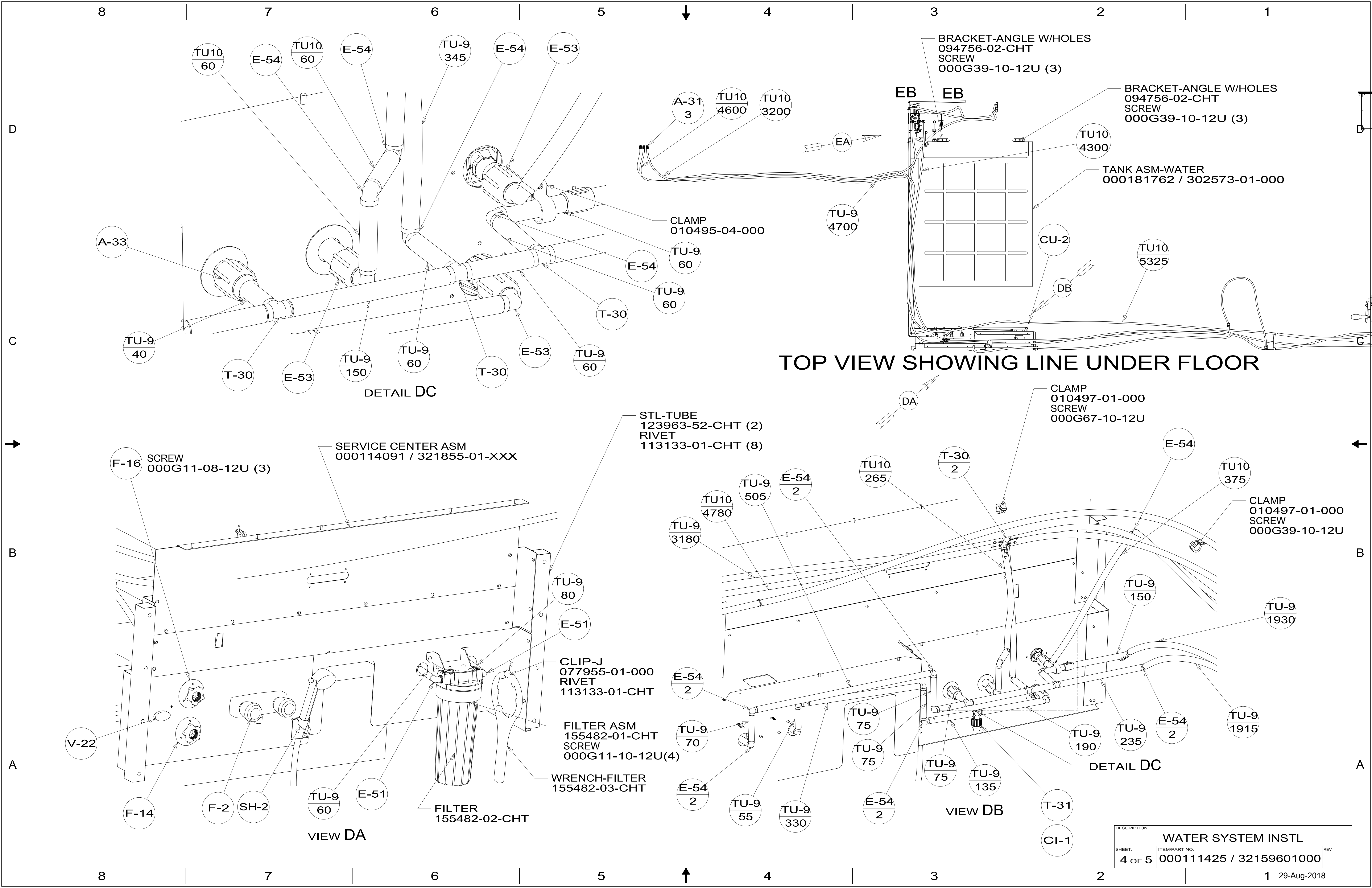
DESCRIPTION: WATER SYSTEM INSTL		
SHEET: 2 OF 5	ITEM/PART NO: 000111425 / 32159601000	REV

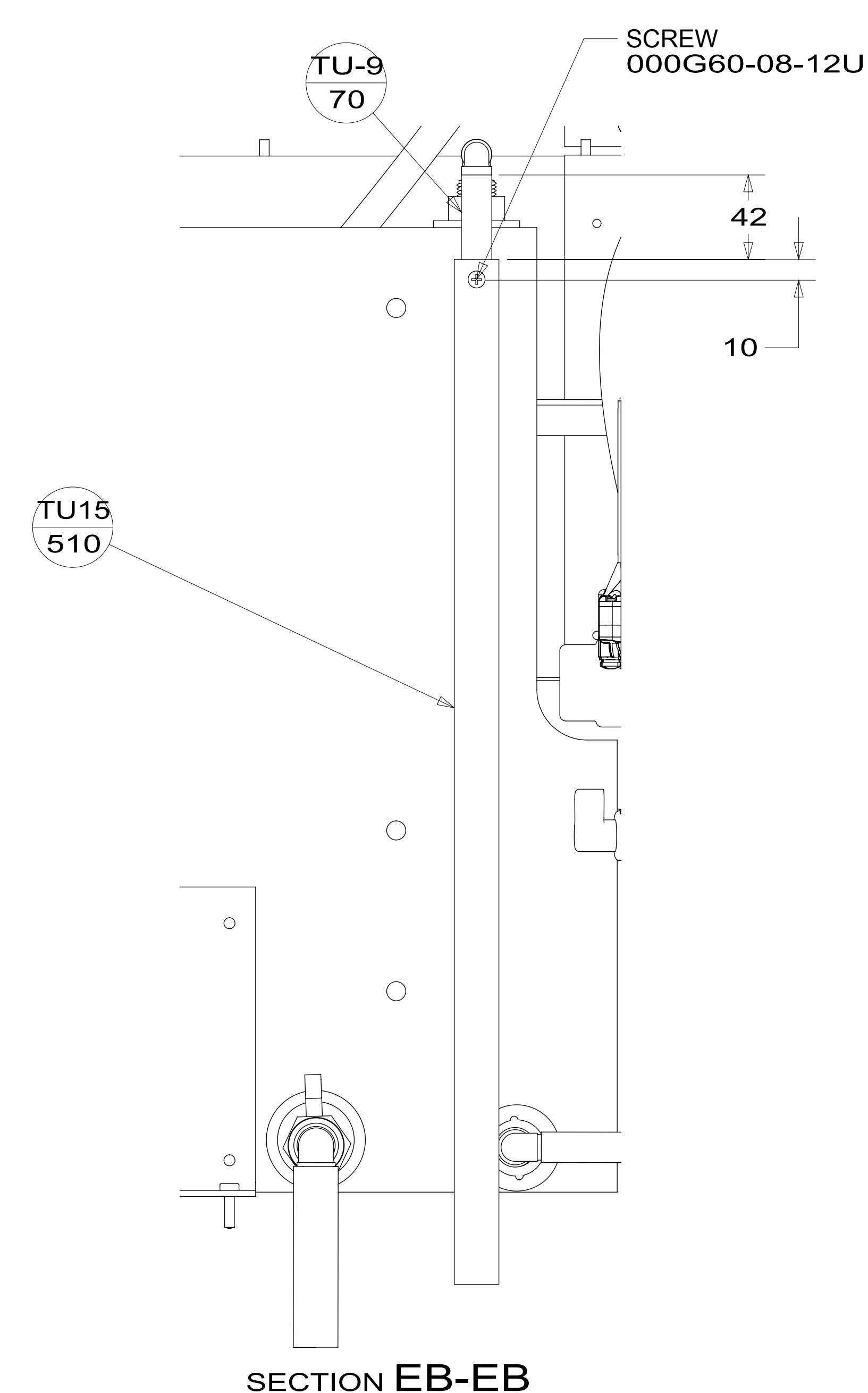
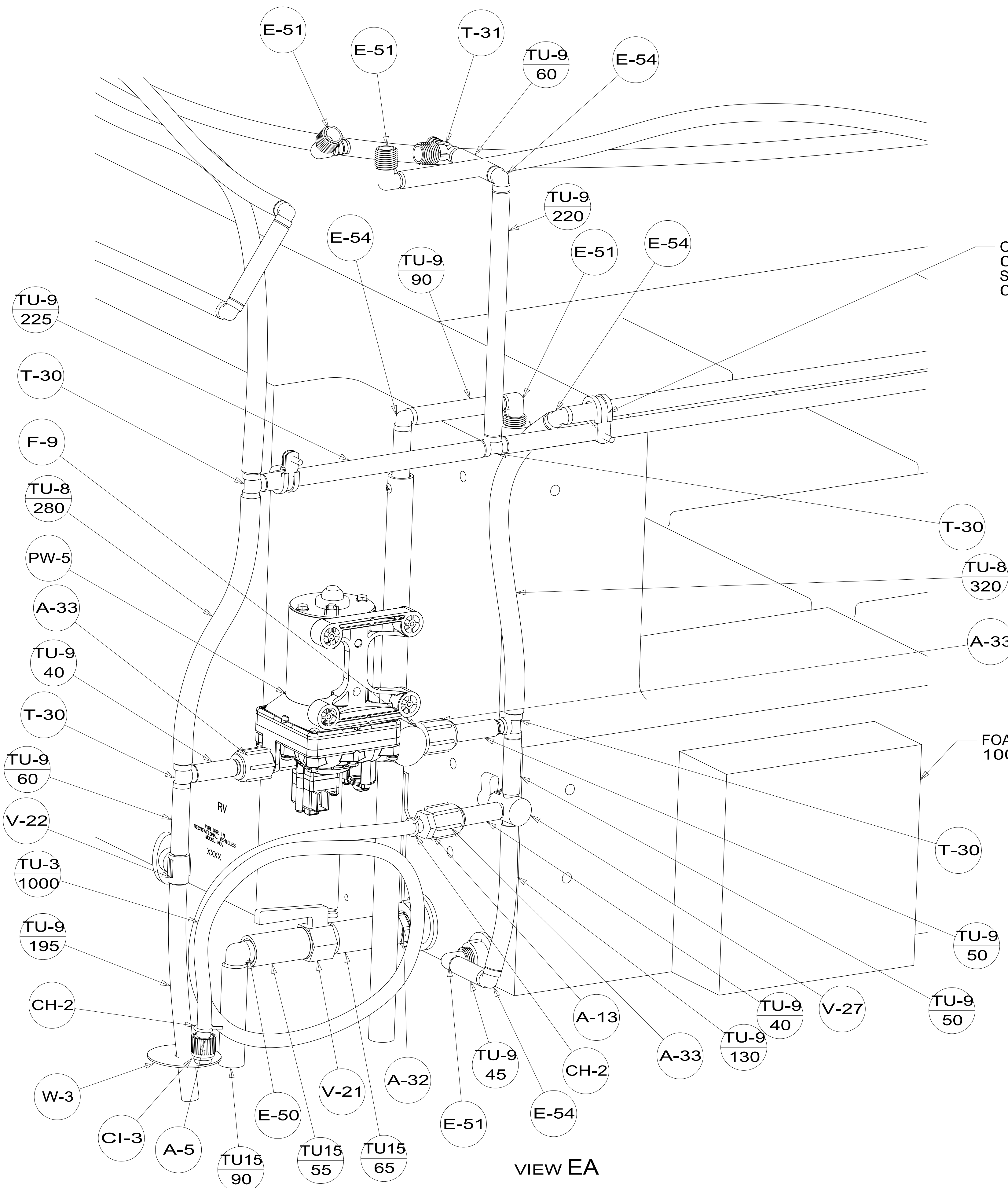
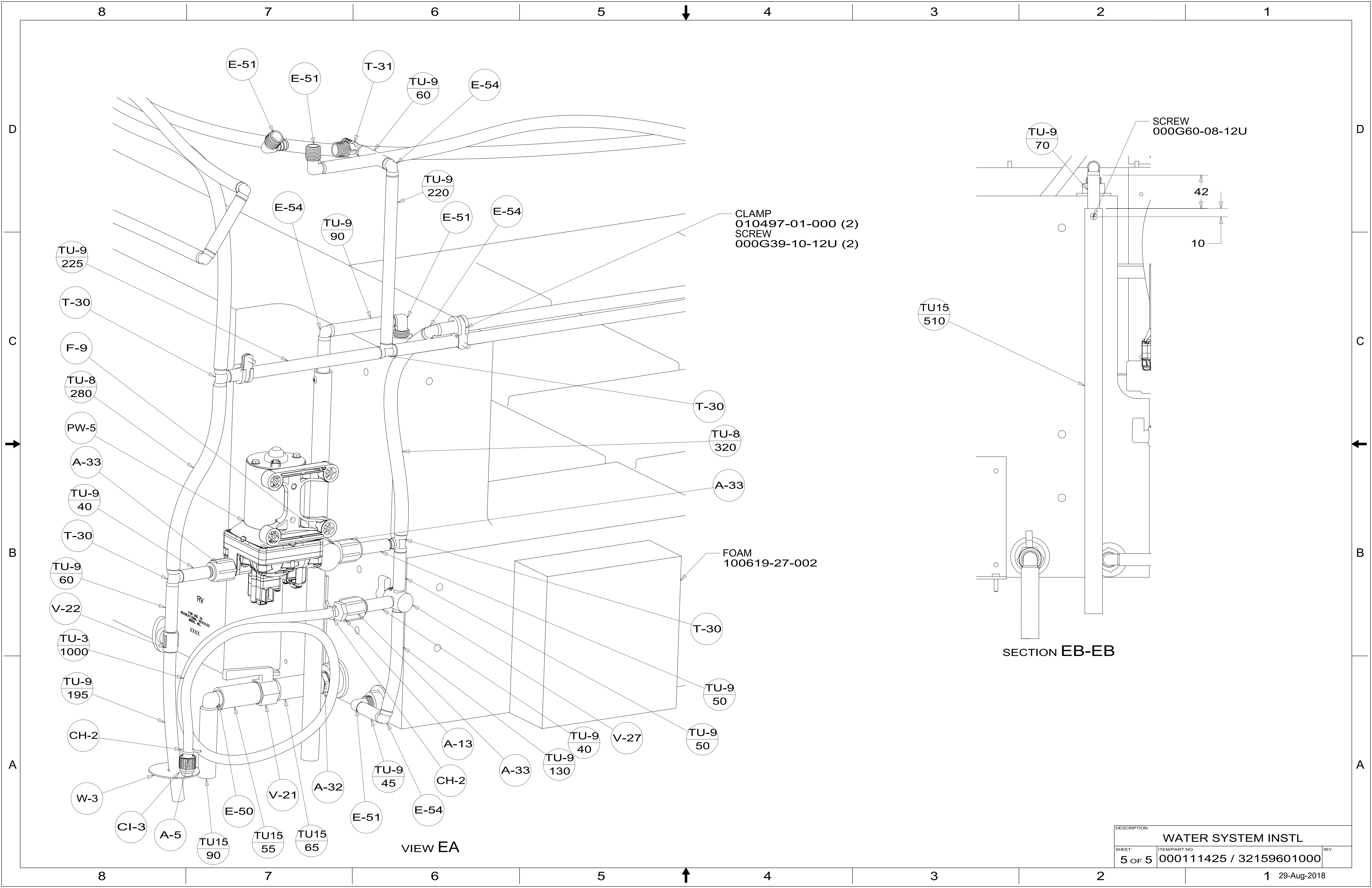


1BU WATER HEATER INSTL
 000027981 / 316161-01-000
 PLATFORM ASM
 000113957 / 321842-01-000
 CABLE
 076767-03-000



DESCRIPTION:		
WATER SYSTEM INSTL		
SHEET:	ITEM/PART NO:	REV
3 OF 5	000111425 / 32159601000	





DESCRIPTION:		
WATER SYSTEM INSTL		
SHEET:	ITEM/PART NO:	REV
5 OF 5	000111425 / 32159601000	