

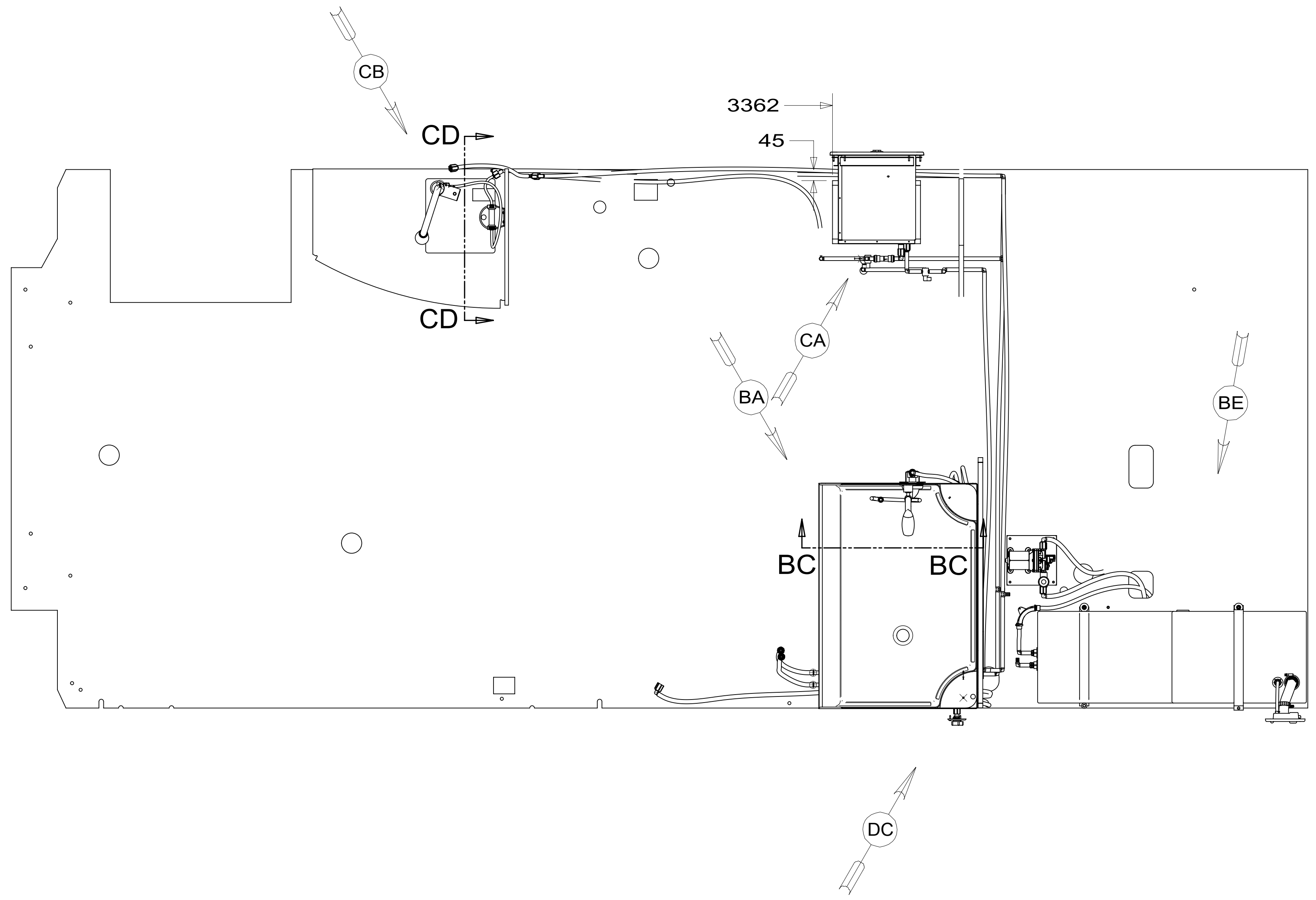
8 7 6 5 4 3 2 1

D

C

B

A



- 9. ALL CRIMP FITTINGS TO 3/4" PEX TUBING REQUIRE 3/4" CLAMP 000156247 / 326668-01-000.
- 8. ALL CRIMP FITTINGS TO 1/2" PEX TUBING REQUIRE 1/2" CLAMP 000156249 / 326670-01-000.
- 7. ALL CRIMP FITTINGS TO 5/8" FLEX TUBING REQUIRE 5/8" CLAMP 000156248 / 326669-01-000.
- 6. LABEL HOT AND COLD SUPPLY TUBES AND TAPE FITTING TO TUBE BEFORE CABINET SET TO PREVENT MOVEMENT.
- 5. ADD PIPE WRAP (LADDER SCRAP 110157-02-000) INSULATION.
- 4. ADD TEFLON TAPE 010405-01-000.
- 3. ALL TUBING TO BE SECURED AT 1200 INTERVALS MAXIMUM WITH CLAMP 010495-01-000 AND SCREW 000G67-10-12U OR EQUIVALENT.
- 2. TUBING TO BE INSTALLED WITH SUFFICIENT SLOPE TO PROVIDE DRAINAGE TO NEAREST VALVE.
- 1. PLASTIC FITTINGS TO BE SEALED WITH SEALANT 084456-01-000.

NOTES:

53E WINTERIZATION PACKAGE



DSNR:		ALL DIMENSIONS ARE IN MILLIMETERS	
DIFTR:		MATERIAL:	
UNSPECIFIED TOLERANCES:			
WHOLE DIM (X)	3		
ONE-PLACE (X.X)	1.5		
TWO-PLACE (X.XX)	0.50		
ANGLE	1°		
REFER TO ES0018 FOR FASTENER TIGHTENING GUIDELINES		WEIGHT: (LBS)	FIRST USED: (REF)
			18 524G
DESCRIPTION: WATER SYSTEM INSTL			
SHEET:	ITEM/PART NO:	REV	
1 OF 4	000046908 / 32128801000		

FOR WATER CALLOUTS SEE DWG NO. 000209446 / 303369-01-000

8 7 6 5 4 3 2 1

↑

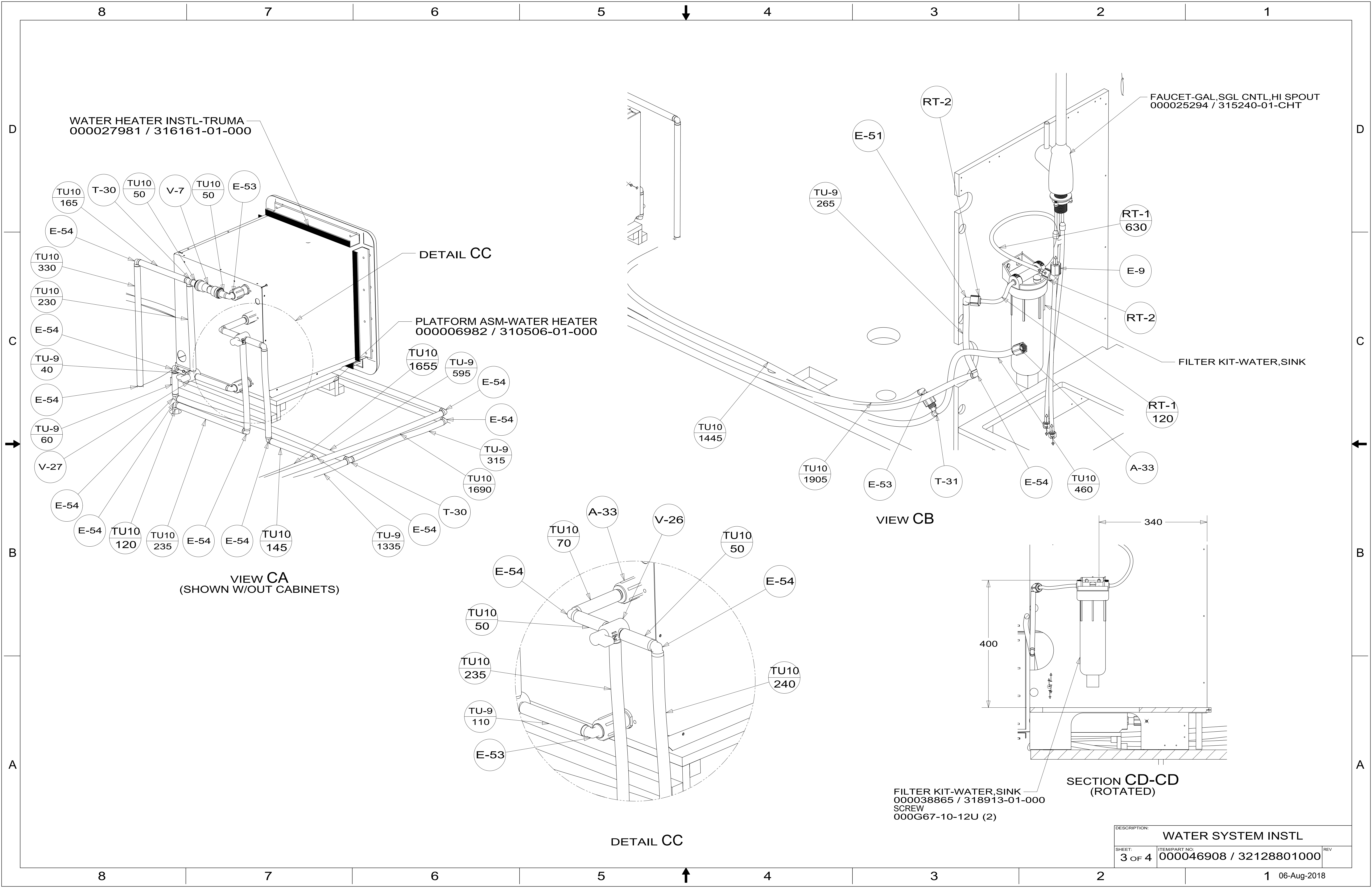
D

C

B

A





WATER HEATER INSTL-TRUMA  
000027981 / 316161-01-000

DETAIL CC

PLATFORM ASM-WATER HEATER  
000006982 / 310506-01-000

FAUCET-GAL,SGL CNTL,HI SPOUT  
000025294 / 315240-01-CHT

FILTER KIT-WATER,SINK

VIEW CA  
(SHOWN W/OUT CABINETS)

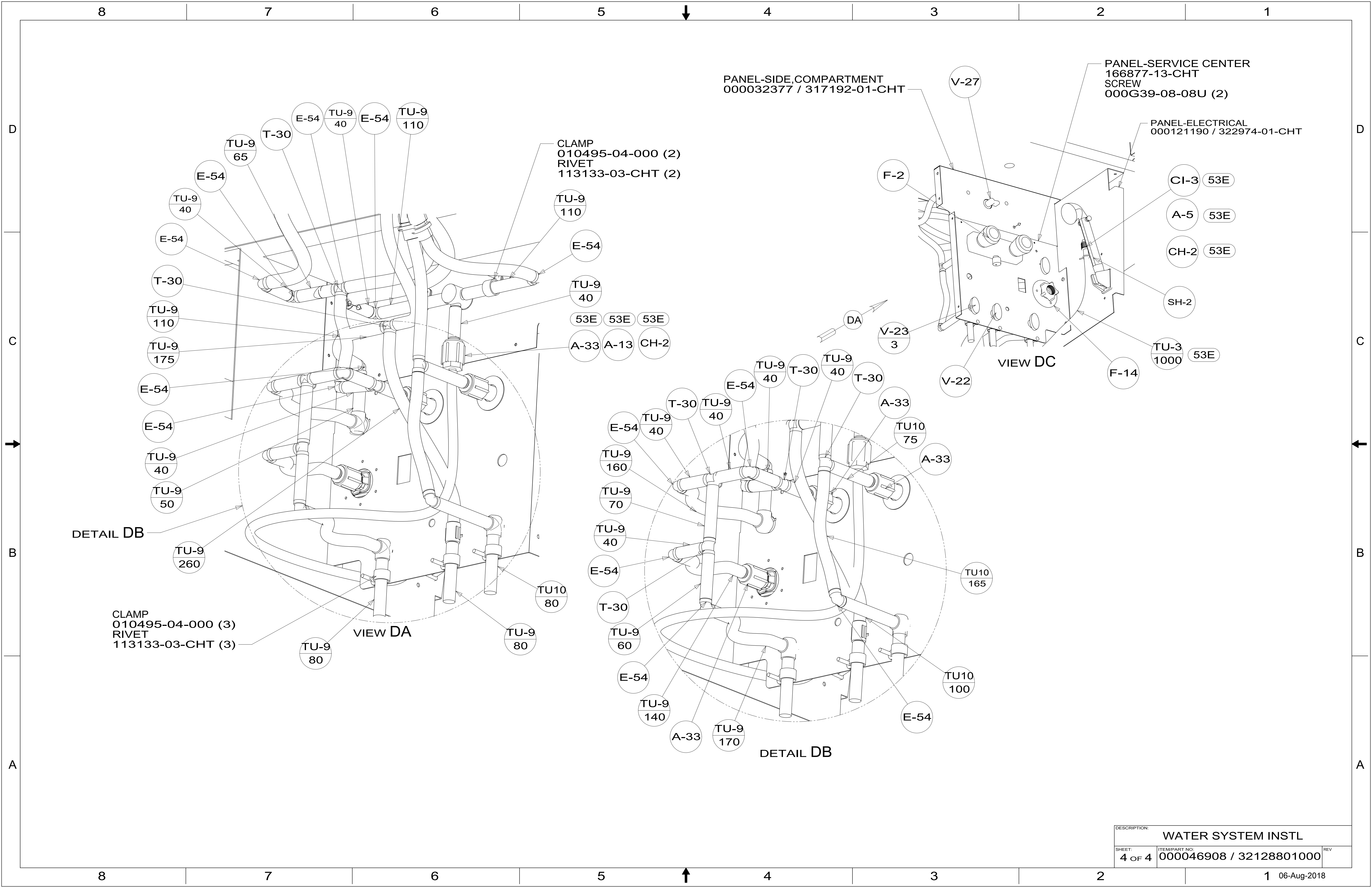
VIEW CB

SECTION CD-CD  
(ROTATED)

DETAIL CC

FILTER KIT-WATER,SINK  
000038865 / 318913-01-000  
SCREW  
000G67-10-12U (2)

DESCRIPTION: <b>WATER SYSTEM INSTL</b>		
SHEET: <b>3 OF 4</b>	ITEM/PART NO: <b>000046908 / 32128801000</b>	REV



DESCRIPTION:		
WATER SYSTEM INSTL		
SHEET:	ITEM/PART NO.:	REV
4 OF 4	000046908 / 32128801000	
		1 06-Aug-2018