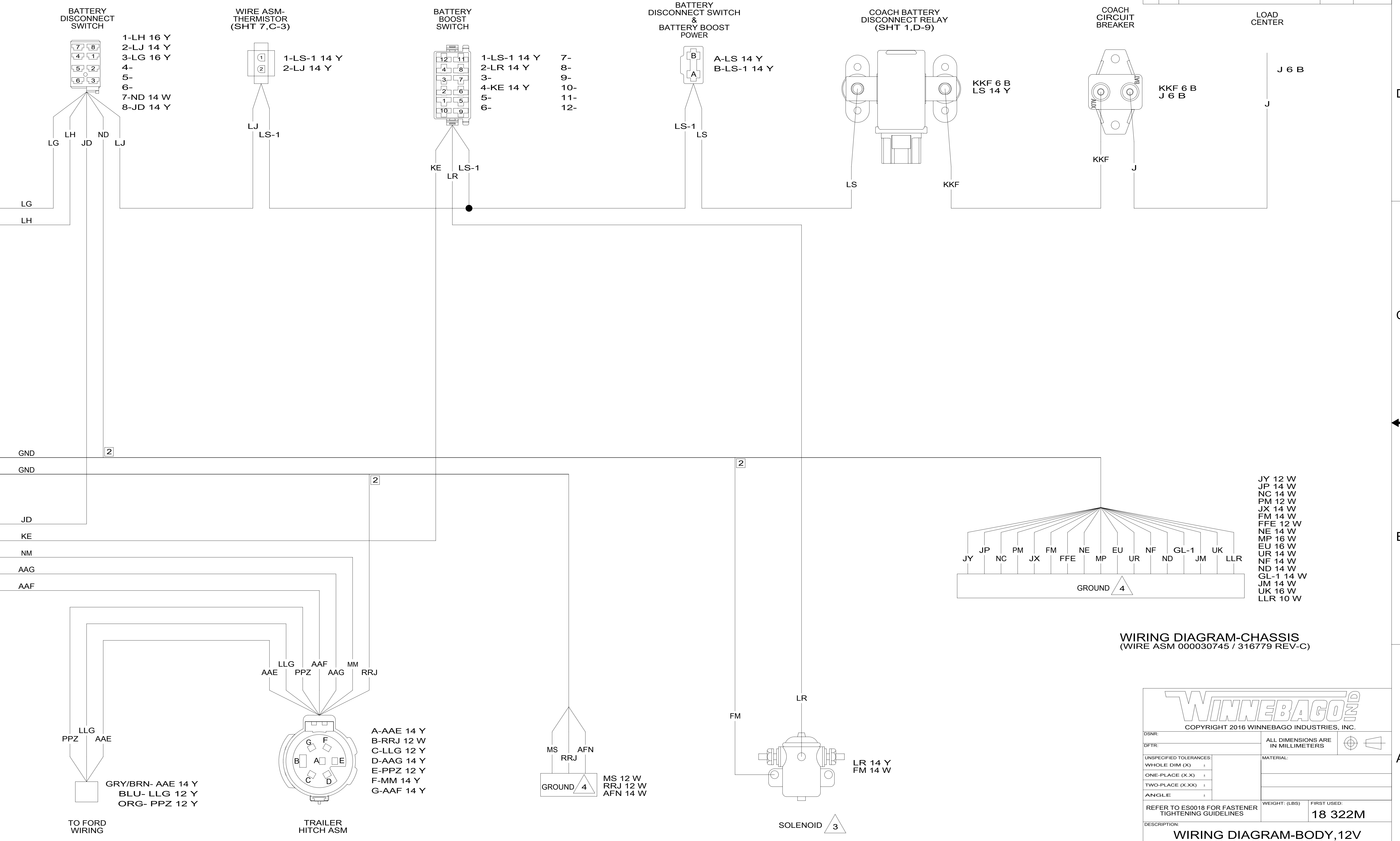


REV	ZONE	REVISION RECORD	DATE	DFTR-ORIG
A	---	INITIAL RELEASE	04/10/17	3672



WIRING DIAGRAM-CHASSIS
 (WIRE ASM 000030745 / 316779 REV-C)

WINNEBAGO
 COPYRIGHT 2016 WINNEBAGO INDUSTRIES, INC.

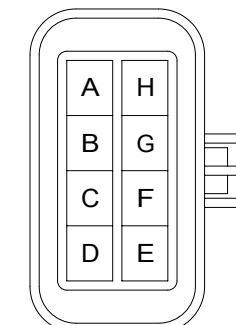
DSNR:	ALL DIMENSIONS ARE IN MILLIMETERS
DFTR:	
UNSPECIFIED TOLERANCES:	MATERIAL:
WHOLE DIM (X) ±	
ONE-PLACE (X.X) ±	
TWO-PLACE (X.XX) ±	
ANGLE ±	
REFER TO ES0018 FOR FASTENER TIGHTENING GUIDELINES	WEIGHT: (LBS) FIRST USED: 18 322M
DESCRIPTION: WIRING DIAGRAM-BODY, 12V	
SHEET: F1	ITEM/PART NO.: 000046413 / 32158001000
1 OF 8	REV: 1

REF: 1 27-Jun-2017

WIRE ASM-RIGHT (SHT 3,D-1)

- 1-JH 14 Y
- 2-JB 14 Y
- 3-JJ 14 Y
- 4-JM 14 W
- 5-NM 12 Y
- 6-PM 12 W
- 7-JA 14 Y
- 8-JP 14 W
- 9-LP 16 Y
- 10-LL 16 W
- 11-LM 16 W
- 12-LN 16 W

GENERATOR



- A-LN 16 W
- B-LM 16 W
- C-LL 16 W
- D-
- E-LP 16 Y
- F-
- G-
- H-

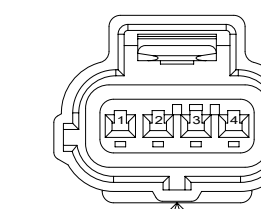
WIRE ASM-RIGHT (SHT 3,A-13)

- 1-FFE 12 W
- 2-FFD 12 Y
- 3-JU 14 Y
- 4-JW 14 Y
- 5-
- 6-

WIRE ASM-LEFT (SHT 2,A-10)

- 1-JU 14 Y
- 2-JW 14 Y
- 3-JX 14 W
- 4-FFD 12 Y
- 5-FFE 12 W
- 6-XH 16 Y

COACH BATTERY DISCONNECT RELAY (SHT 1,D-3)



- 1-LH 16 Y
- 2-FM 14 W
- 3-FM 14 W
- 4-LG 16 Y

JH
JB
JJ
NM
XH

LN
LM
LL
LP

FFE
JU
JW

JW
JU
XH
JX
FFE

FM
FM
LH
LG

LG
LH

GND
GND

2 2 2
2 2 2

2

2 2

2 2

GND
GND

JD
KE

2

JD
KE

PE
JC

JC
PE
JD
KE
JA
NC
ND
UR
MS
MM
DY

- 1-JC 14 Y
- 2-NC 14 W
- 3-PE 14 Y
- 4-JD 14 Y
- 5-ND 14 W
- 6-JA 14 Y
- 7-
- 8-MM 14 Y
- 9-MS 12 W
- 10-KE 14 Y
- 11-DY 14 W
- 12-UR 14 W

WIRE ASM-LEFT (SHT 2,D-10)

EMERGENCY BRAKE SWITCH



FORD DASH WIRING



WIRE ASM-CAMERA SWITCHER (SHT 8,C-5)

- 1-TR 14 Y
- 2-DY 14 W
- 3-

TO FORD WIRING

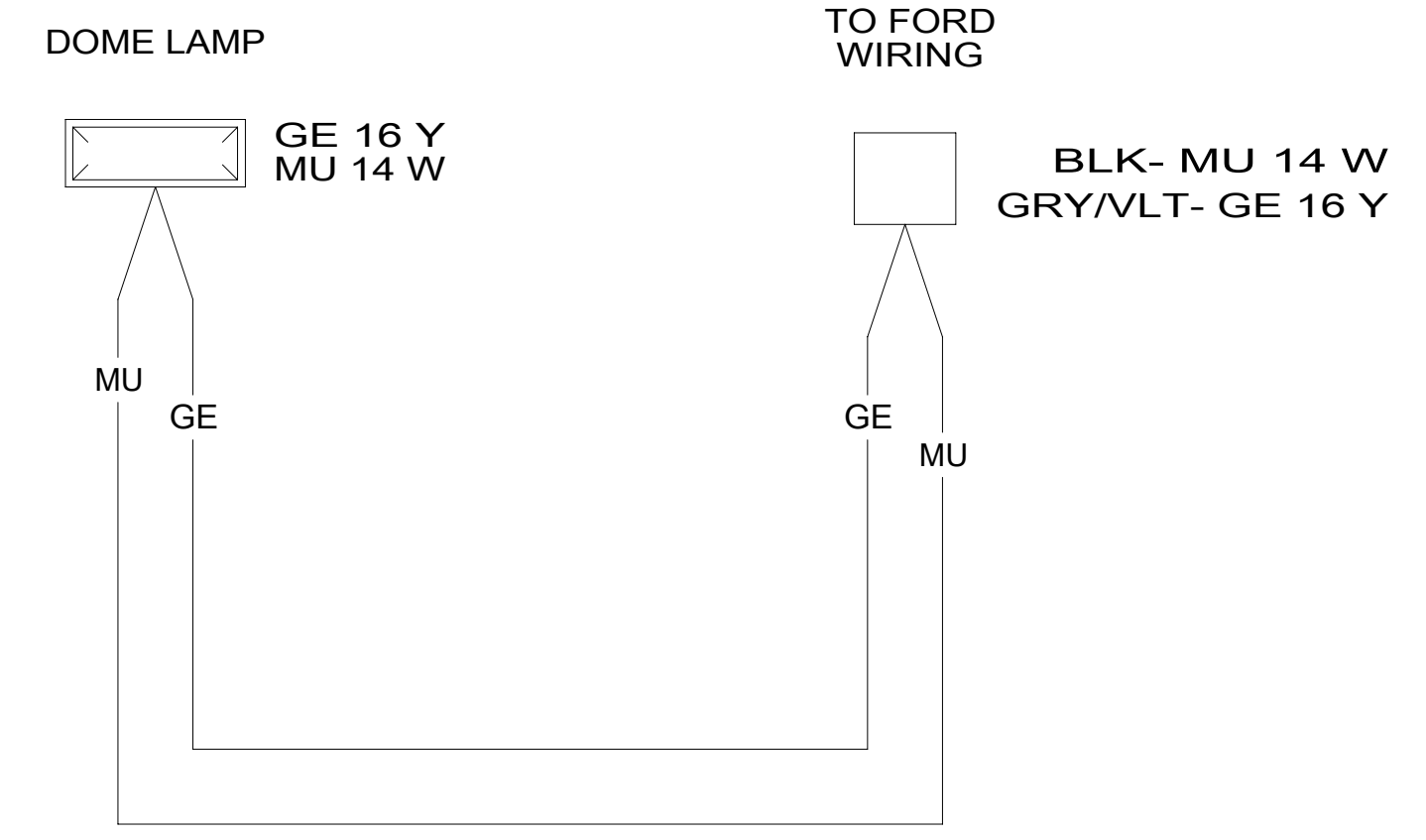
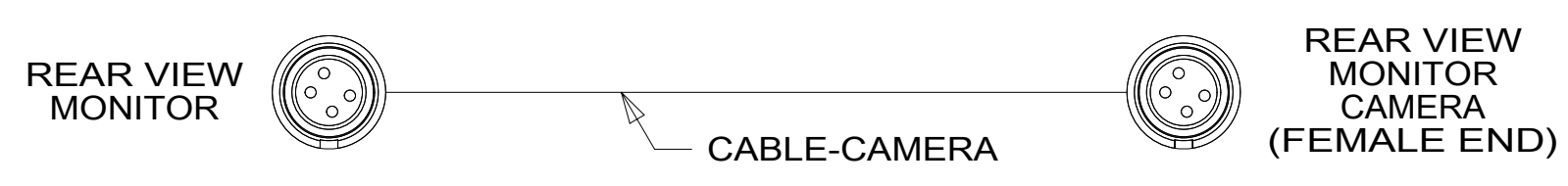
- BLU/WHT- TR 14 Y
- GRY/BRN- SD 14 Y
- VLT/ORG- SC 14 Y
- VLT/WHT- X 14 Y
- (CAV #3)

WIRE ASM-BACKWALL (SHT 5,D-2)

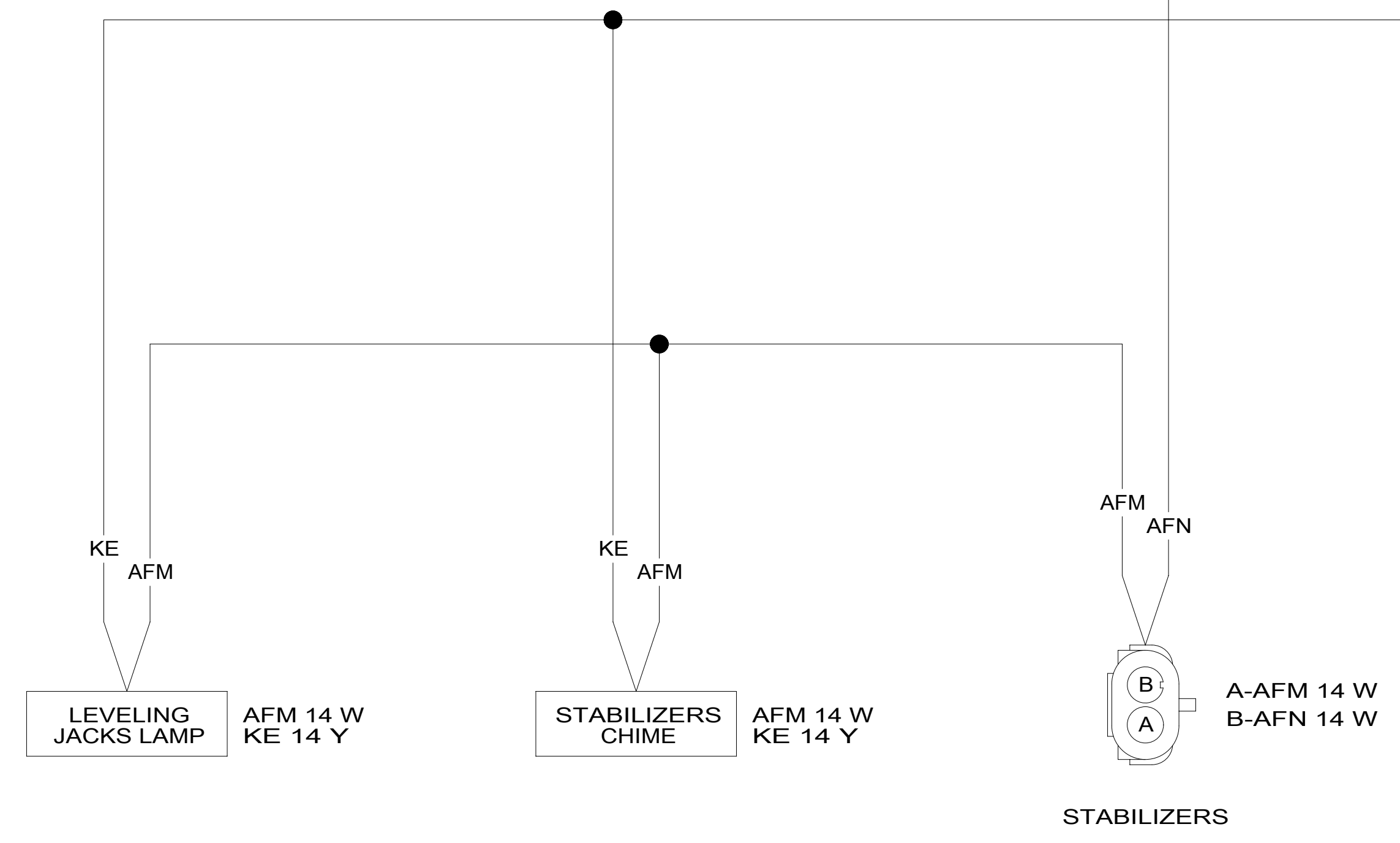
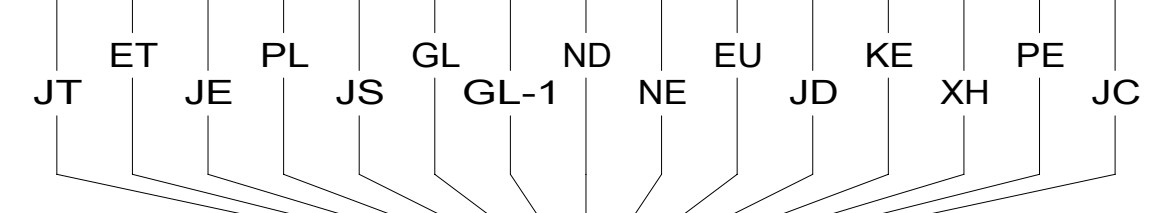
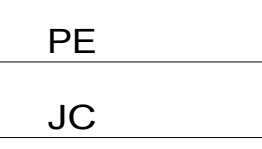
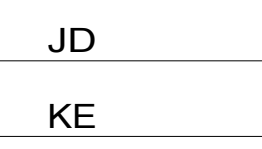
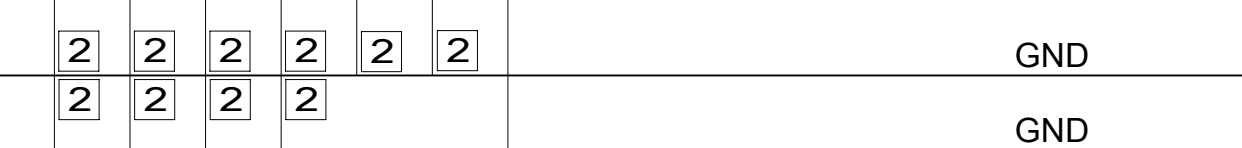
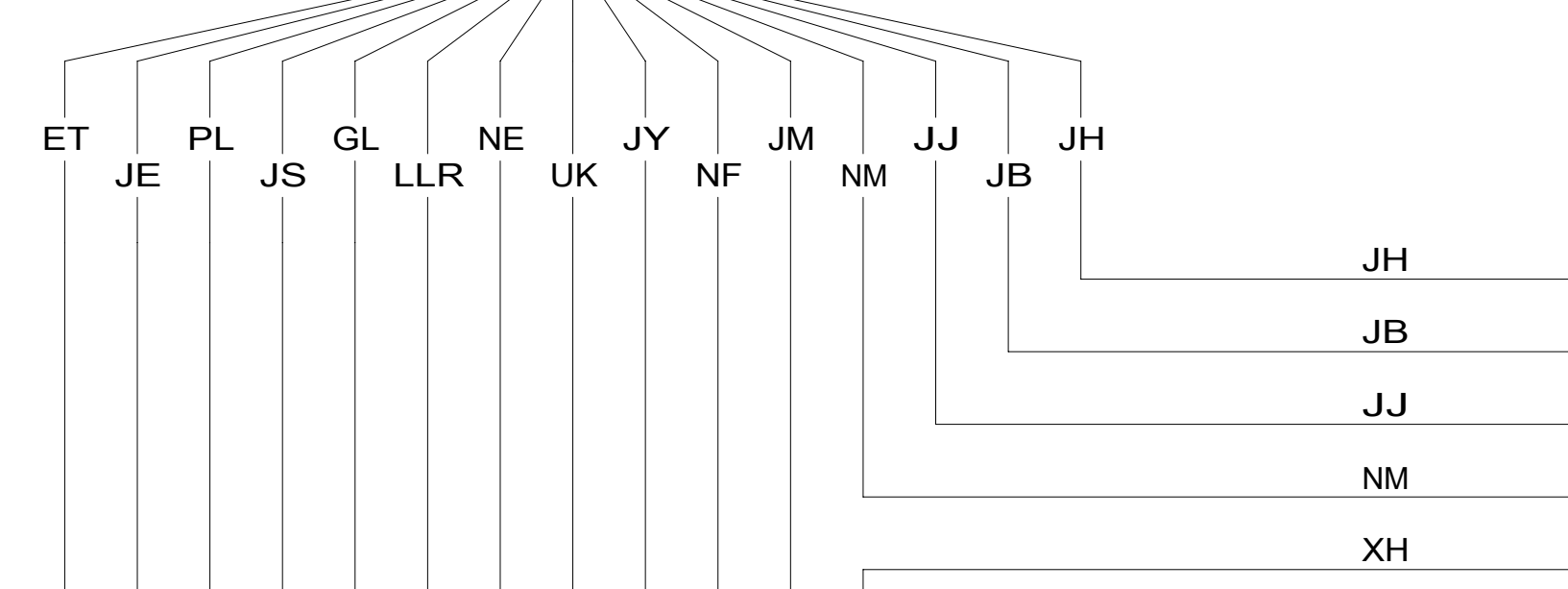
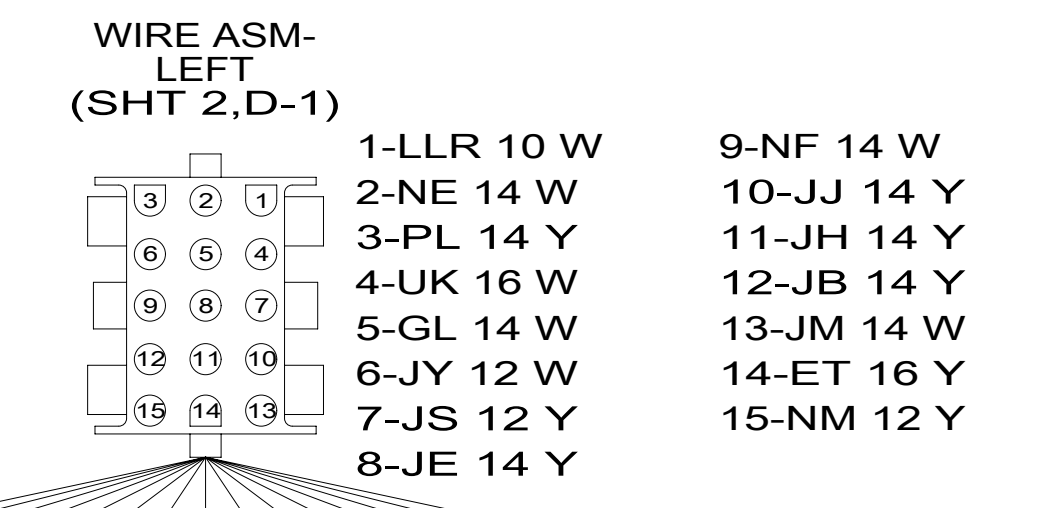
- A-SC 14 Y
- B-X 14 Y
- C-TR 14 Y
- D-SD 14 Y
- E-MM 14 Y
- F-MS 12 W
- G-
- H-

TO FORD WIRING

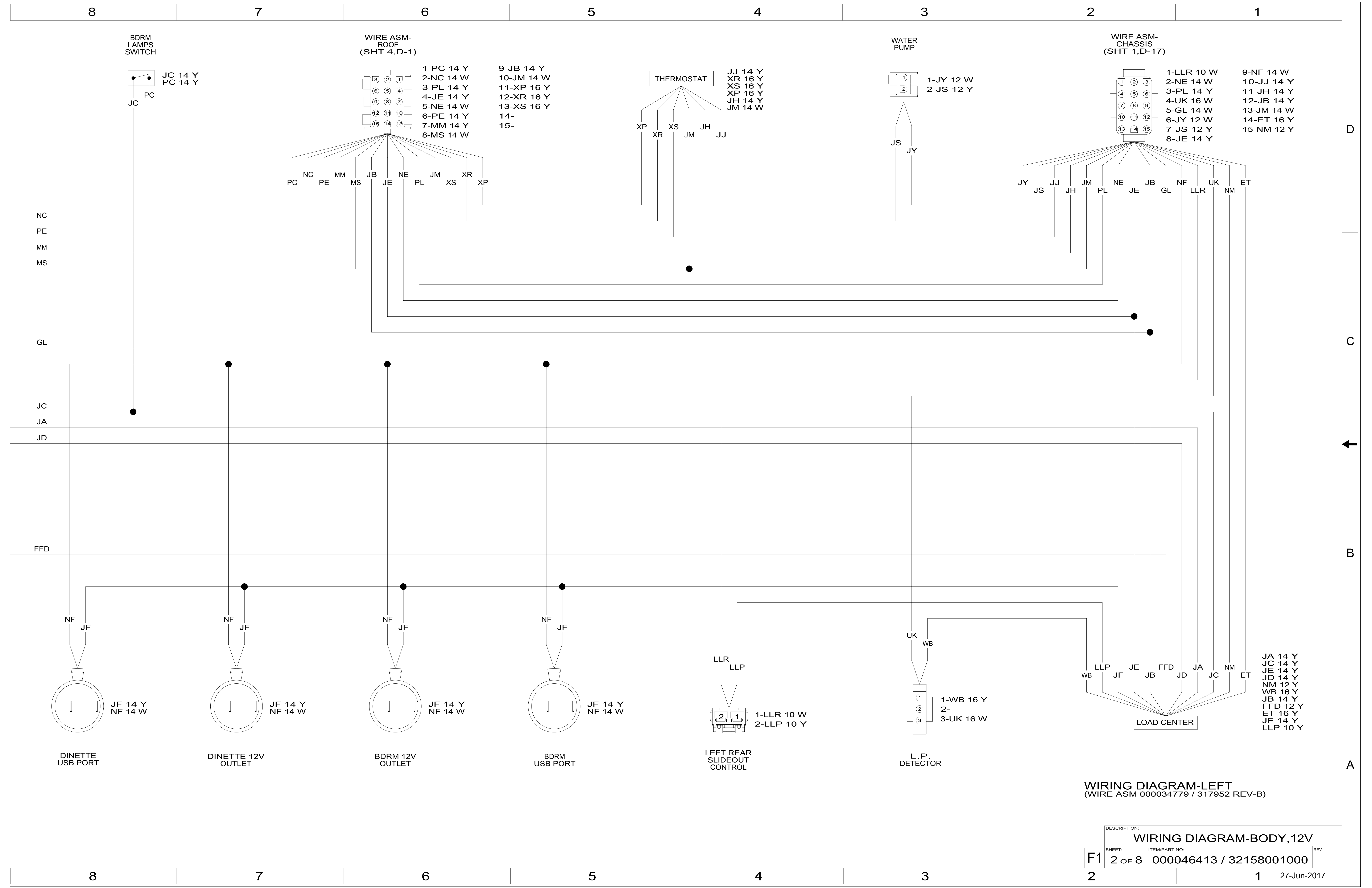
- YEL- AAF 14 Y
- GRN- AAG 14 Y
- BRN- MM 14 Y



WIRE ASM- ADAPTOR, FORD (RUN ONLY) (SHT 8,D-6)



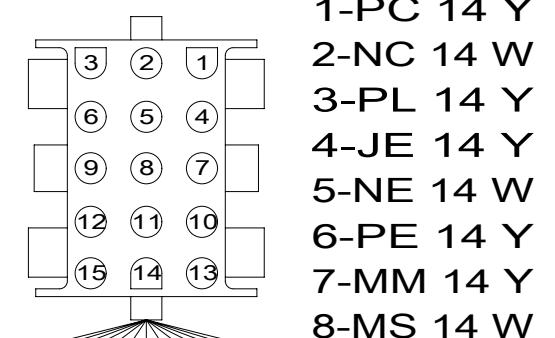
- 4 GOUNDS ARE SHOWN AS A SINGLE LINE FOR EASE IN TRACING. EACH GROUND CIRCUIT IS SEPERATE IN THE HARNESS.
- 3 SEE MANUFACTURERS DIAGRAM FOR ADDITIONAL INFORMATION.
- 2 NOT A SPLICE POINT. INDICATES ENTRY INTO WIRING HARNESS.
1. SPLICES ARE THEORETICAL AND MAY DIFFER IN THE HARNESS.



BDRM LAMPS SWITCH

JC 14 Y
PC 14 Y

WIRE ASM-ROOF (SHT 4,D-1)



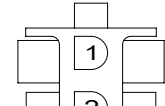
- 1-PC 14 Y
- 2-NC 14 W
- 3-PL 14 Y
- 4-JE 14 Y
- 5-NE 14 W
- 6-PE 14 Y
- 7-MM 14 Y
- 8-MS 14 W

- 9-JB 14 Y
- 10-JM 14 W
- 11-XP 16 Y
- 12-XR 16 Y
- 13-XS 16 Y
- 14-
- 15-

THERMOSTAT

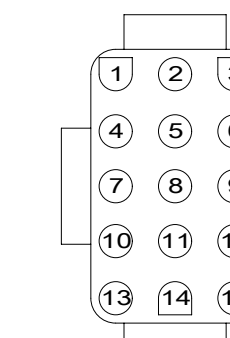
- JJ 14 Y
- XR 16 Y
- XS 16 Y
- XP 16 Y
- JH 14 Y
- JM 14 W

WATER PUMP



- 1-JY 12 W
- 2-JS 12 Y

WIRE ASM-CHASSIS (SHT 1,D-17)



- 1-LLR 10 W
- 2-NE 14 W
- 3-PL 14 Y
- 4-UK 16 W
- 5-GL 14 W
- 6-JY 12 W
- 7-JS 12 Y
- 8-JE 14 Y

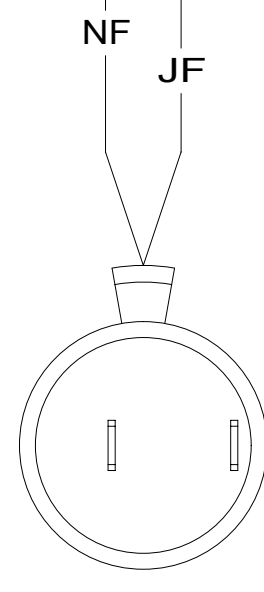
- 9-NF 14 W
- 10-JJ 14 Y
- 11-JH 14 Y
- 12-JB 14 Y
- 13-JM 14 W
- 14-ET 16 Y
- 15-NM 12 Y

NC
PE
MM
MS

GL

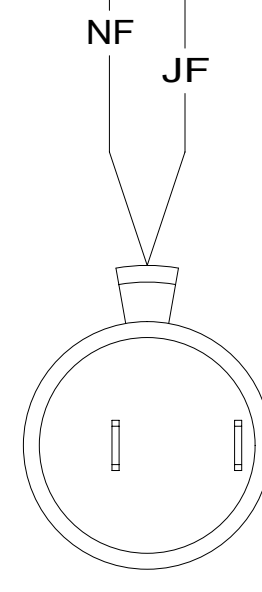
JC
JA
JD

FFD



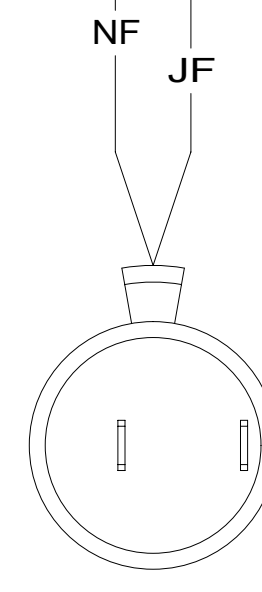
JF 14 Y
NF 14 W

DINETTE USB PORT



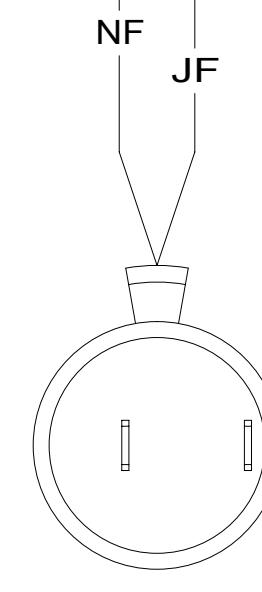
JF 14 Y
NF 14 W

DINETTE 12V OUTLET



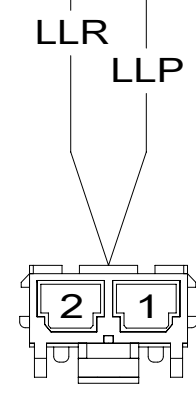
JF 14 Y
NF 14 W

BDRM 12V OUTLET



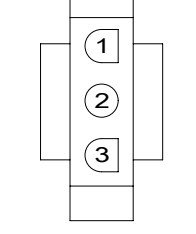
JF 14 Y
NF 14 W

BDRM USB PORT



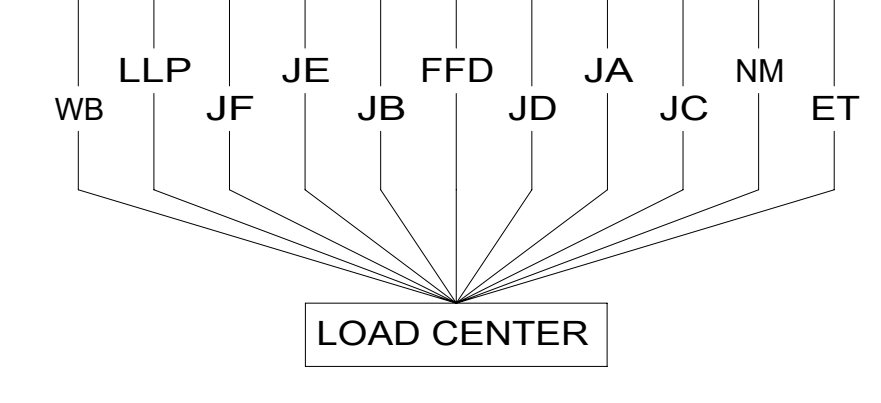
1-LLR 10 W
2-LLP 10 Y

LEFT REAR SLIDEOUT CONTROL



1-WB 16 Y
2-
3-UK 16 W

L.P. DETECTOR

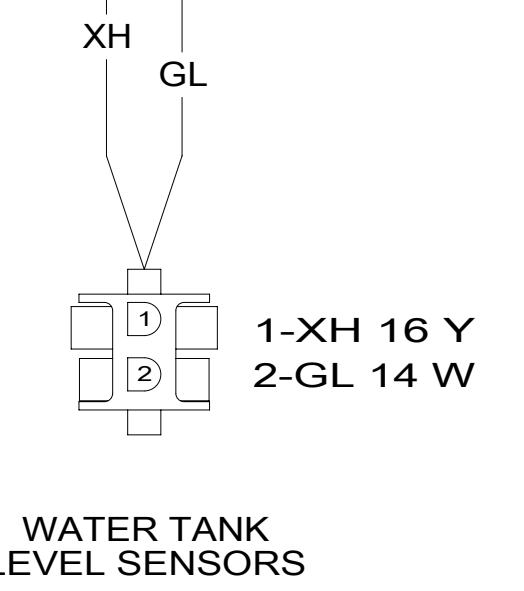
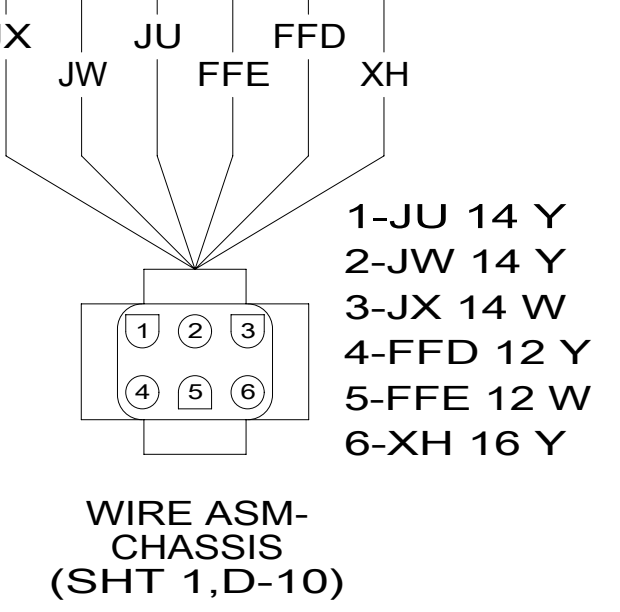
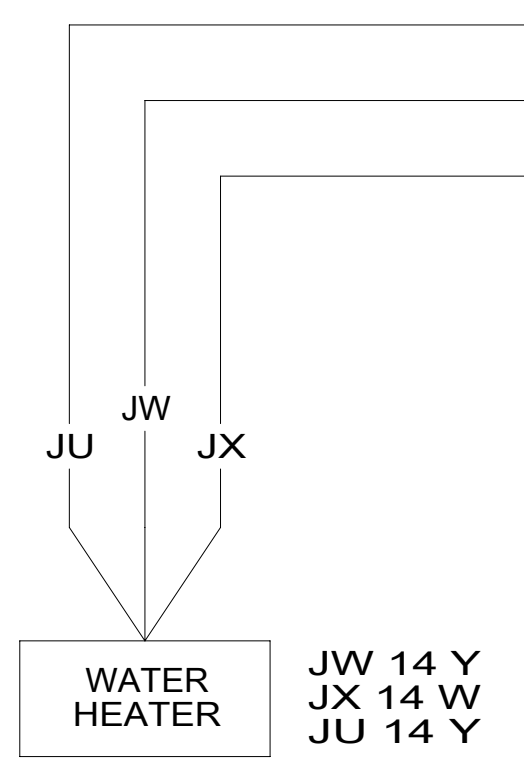
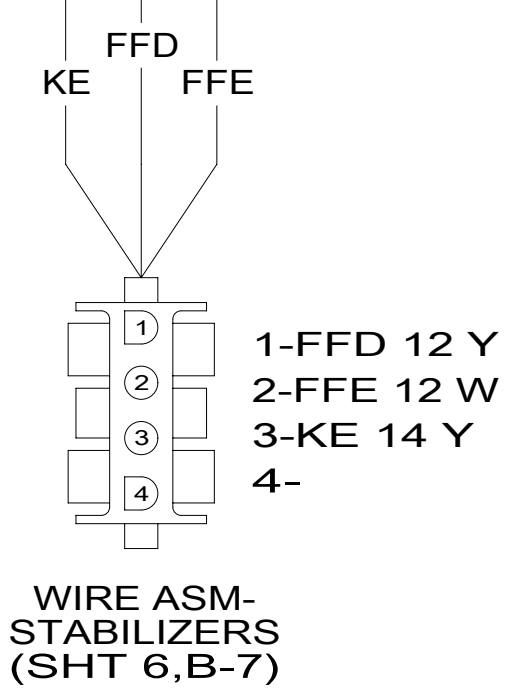
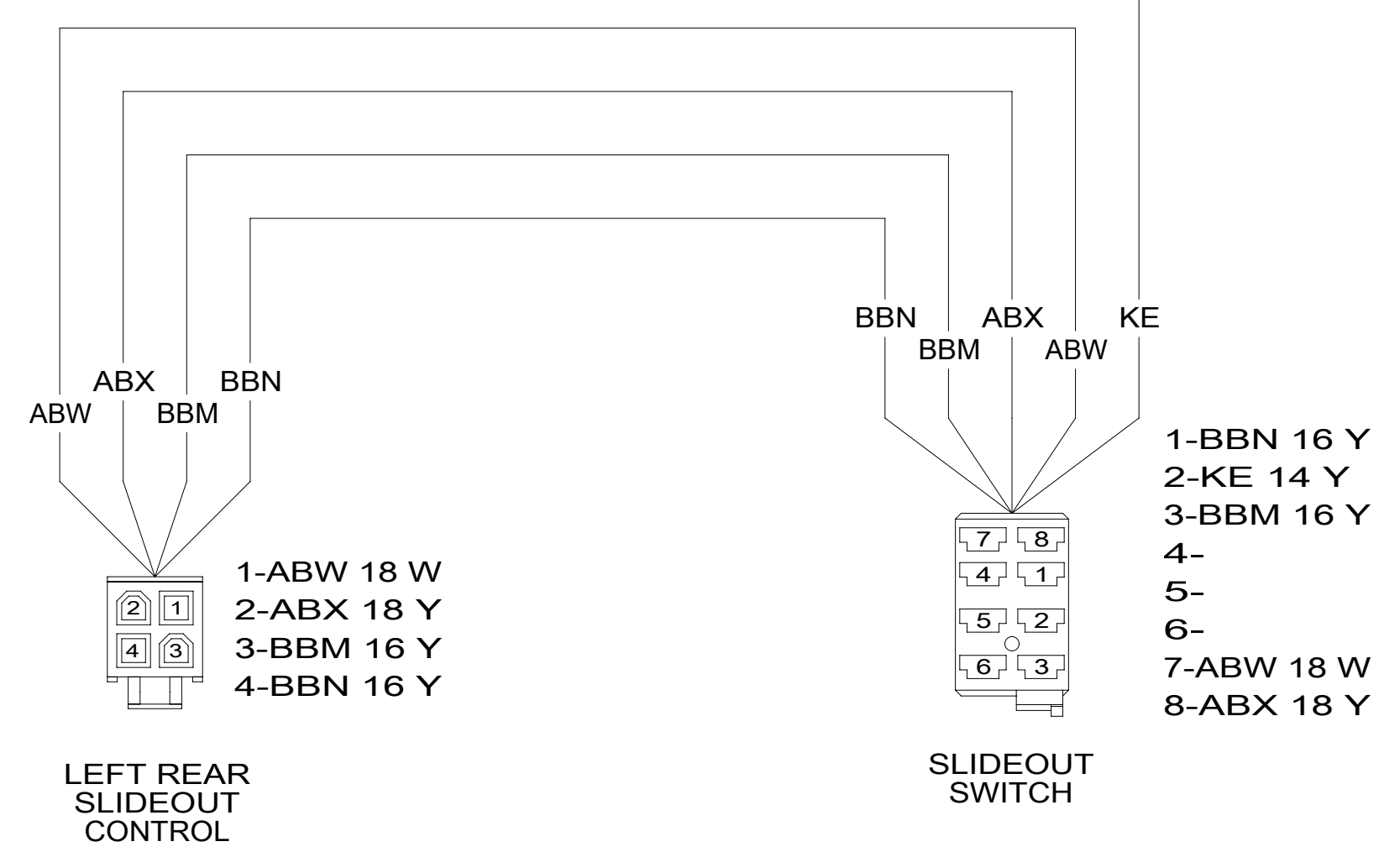


- JA 14 Y
- JC 14 Y
- JE 14 Y
- JD 14 Y
- NM 12 Y
- WB 16 Y
- JB 14 Y
- FFD 12 Y
- ET 16 Y
- JF 14 Y
- LLP 10 Y

WIRING DIAGRAM-LEFT
(WIRE ASM 000034779 / 317952 REV-B)

WIRING DIAGRAM-BODY, 12V

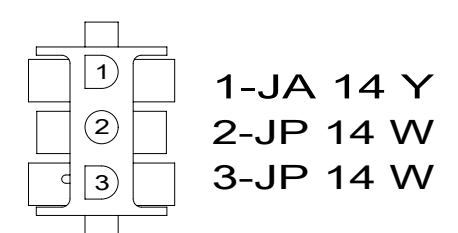
SHEET: F1 2 OF 8 ITEM/PART NO: 000046413 / 32158001000 REV: []



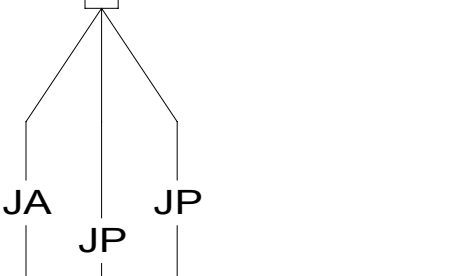
1. SPLICES ARE THEORETICAL AND MAY DIFFER IN THE HARNESS.

NOTES:

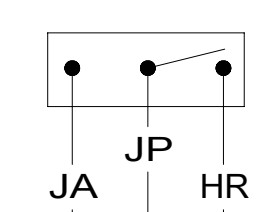
RANGE HOOD



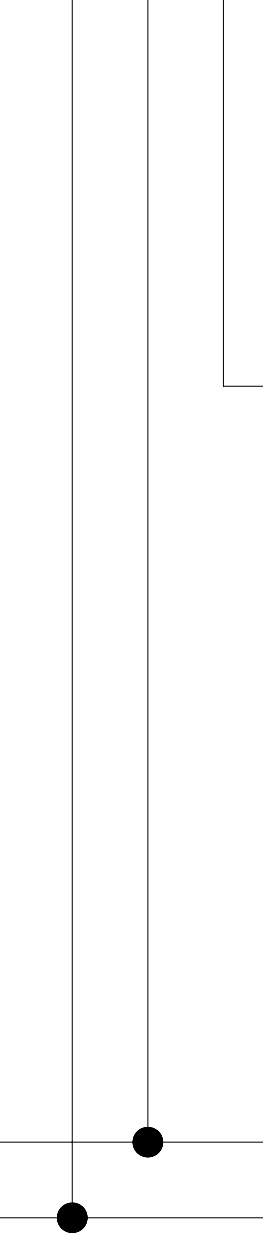
- 1-JA 14 Y
- 2-JP 14 W
- 3-JP 14 W



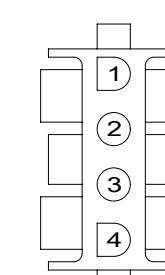
TANK HEATER SWITCH



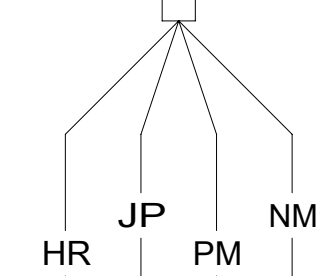
- HR 14 Y
- JP 14 W
- JA 14 Y



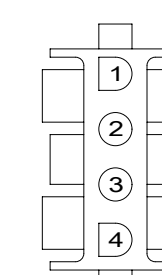
WIRE ASM-HEATER RELAY (SHT 7,D-4)



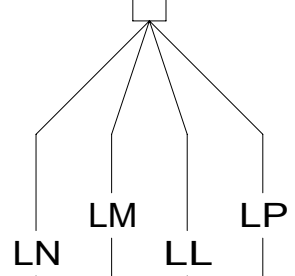
- 1-NM 14 Y
- 2-PM 14 W
- 3-HR 14 Y
- 4-JP 14 W



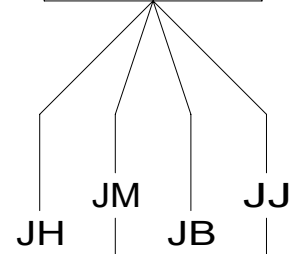
MONITOR PANEL



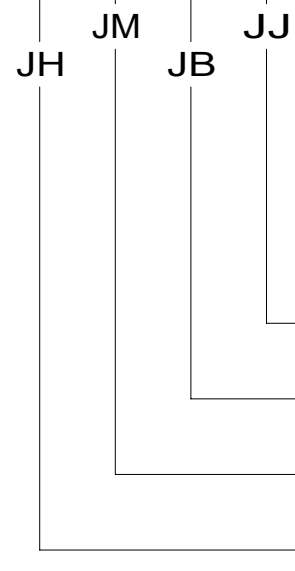
- 1-LP 16 Y
- 2-LL 16 W
- 3-LM 16 W
- 4-LN 16 W



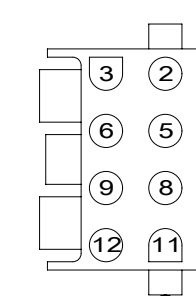
FURNACE



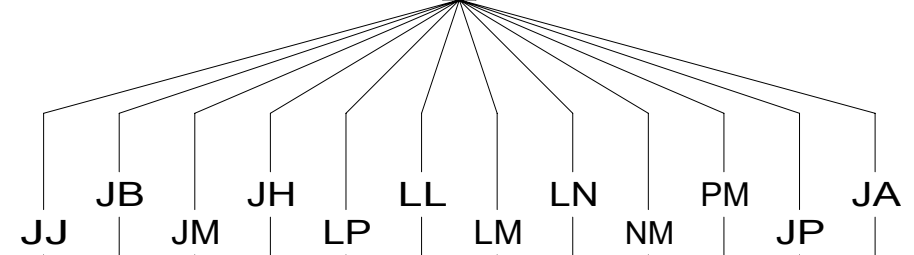
- JJ 14 Y
- JB 14 Y
- JM 14 W
- JH 14 Y



WIRE ASM-CHASSIS (SHT 1,D-15)



- 1-JH 14 Y
- 2-JB 14 Y
- 3-JJ 14 Y
- 4-JM 14 W
- 5-NM 14 Y
- 6-PM 14 W



- 7-JA 14 Y
- 8-JP 14 W
- 9-LP 16 Y
- 10-LL 16 W
- 11-LM 16 W
- 12-LN 16 W

JA

PL

KE

JE

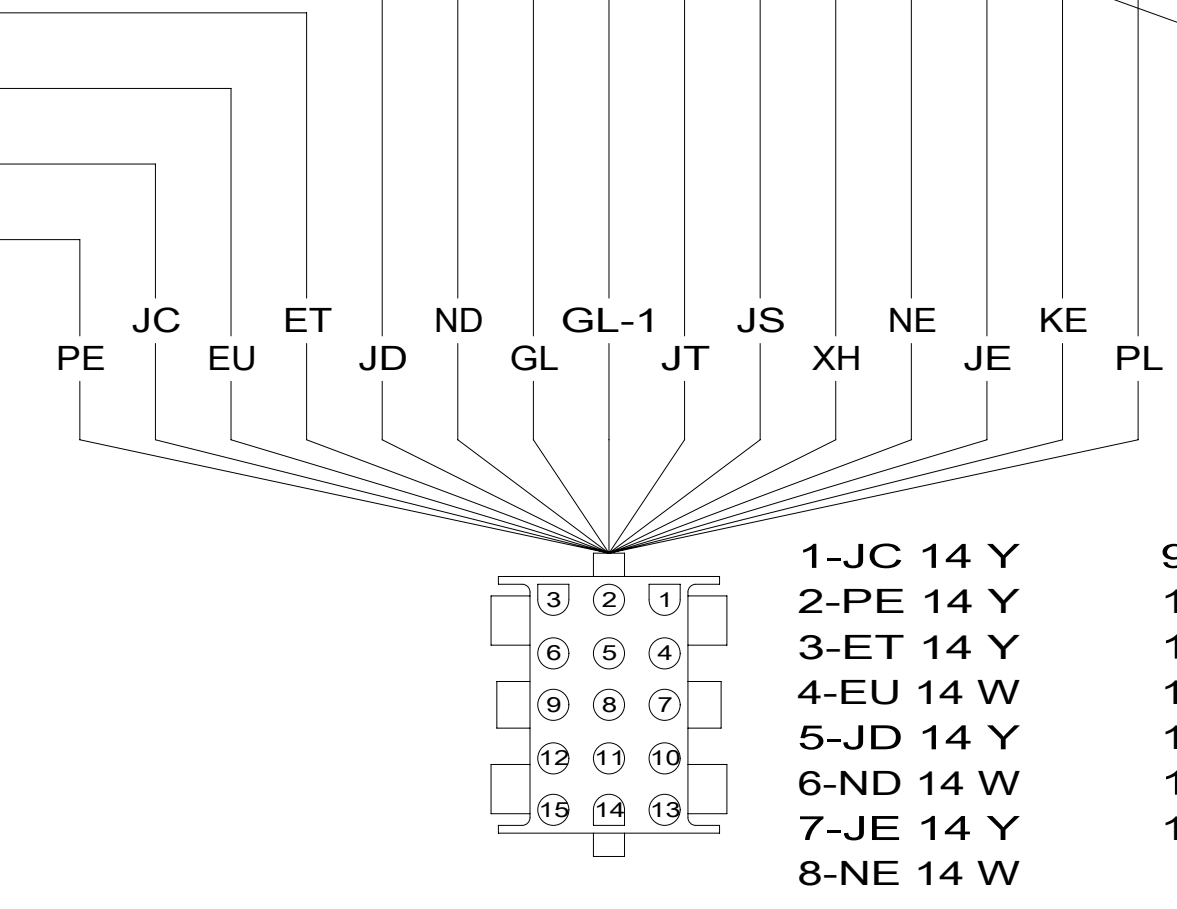
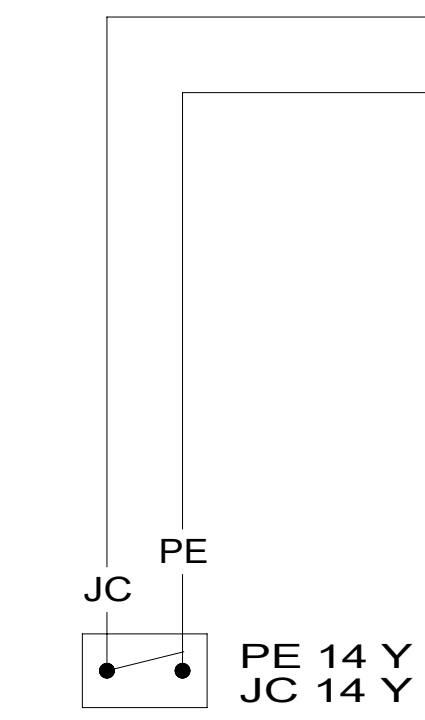
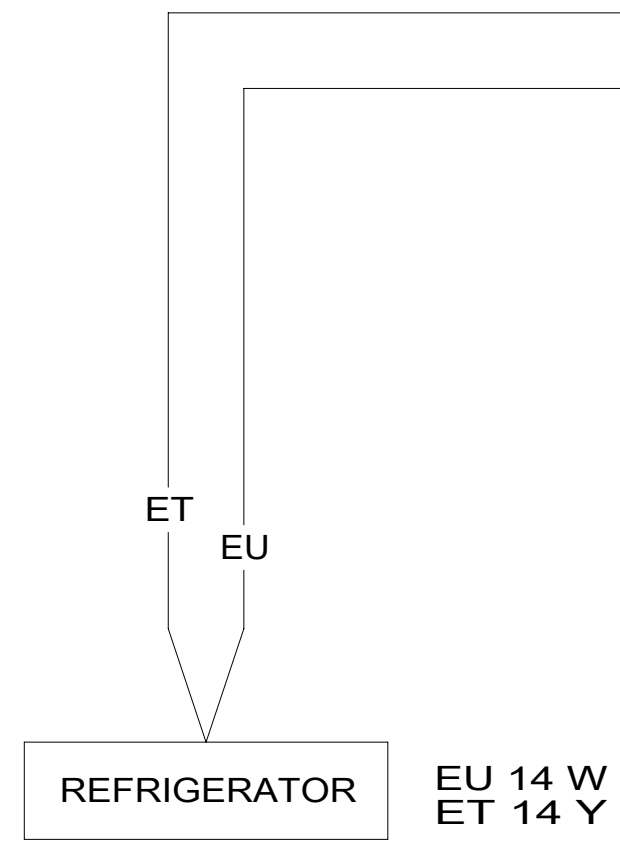
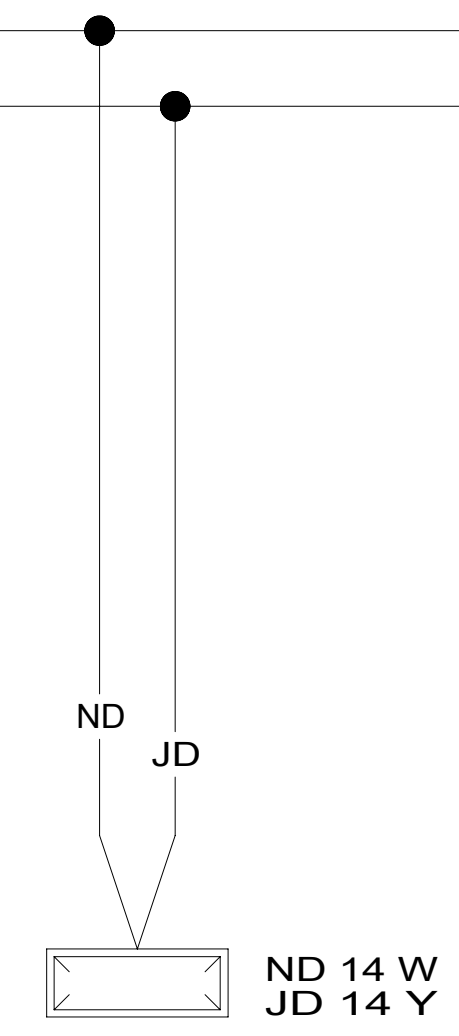
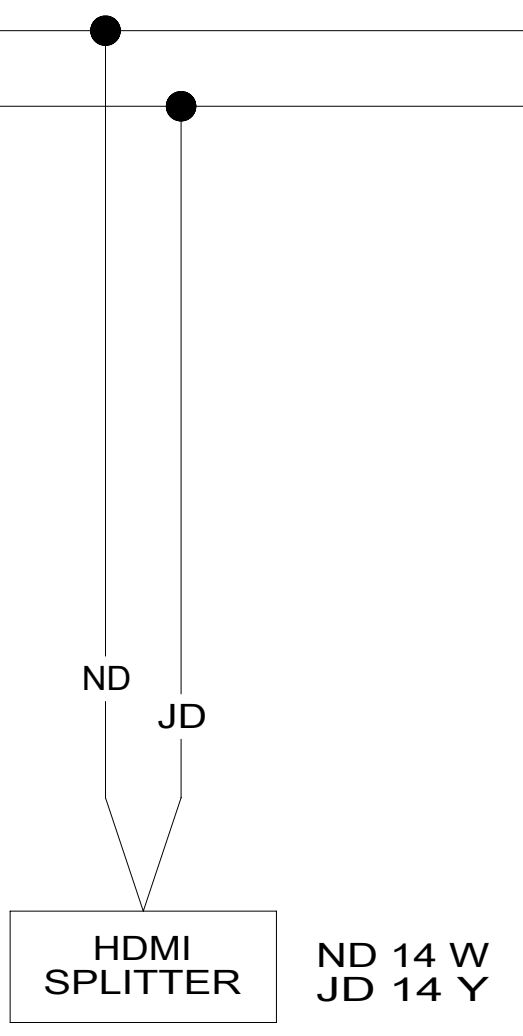
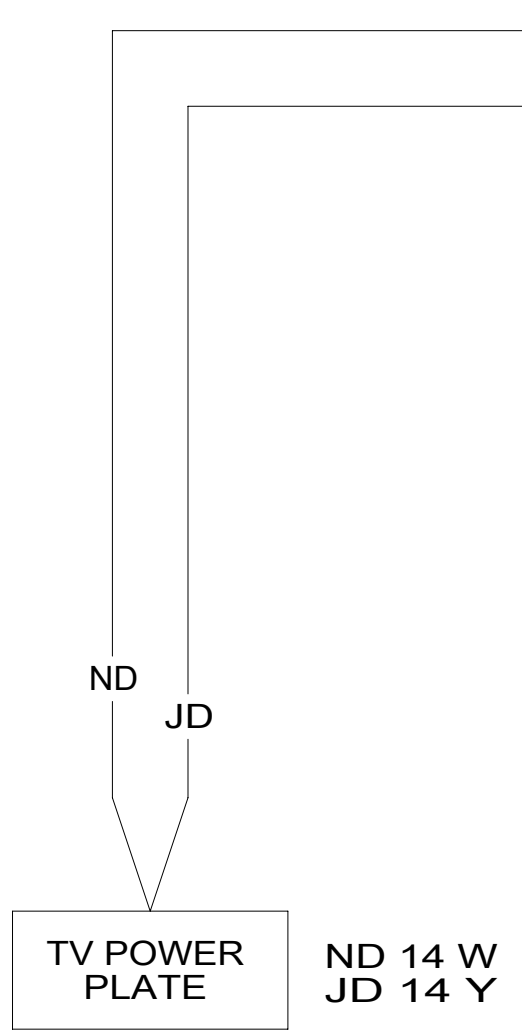
NE

XH

JS

JT

GL

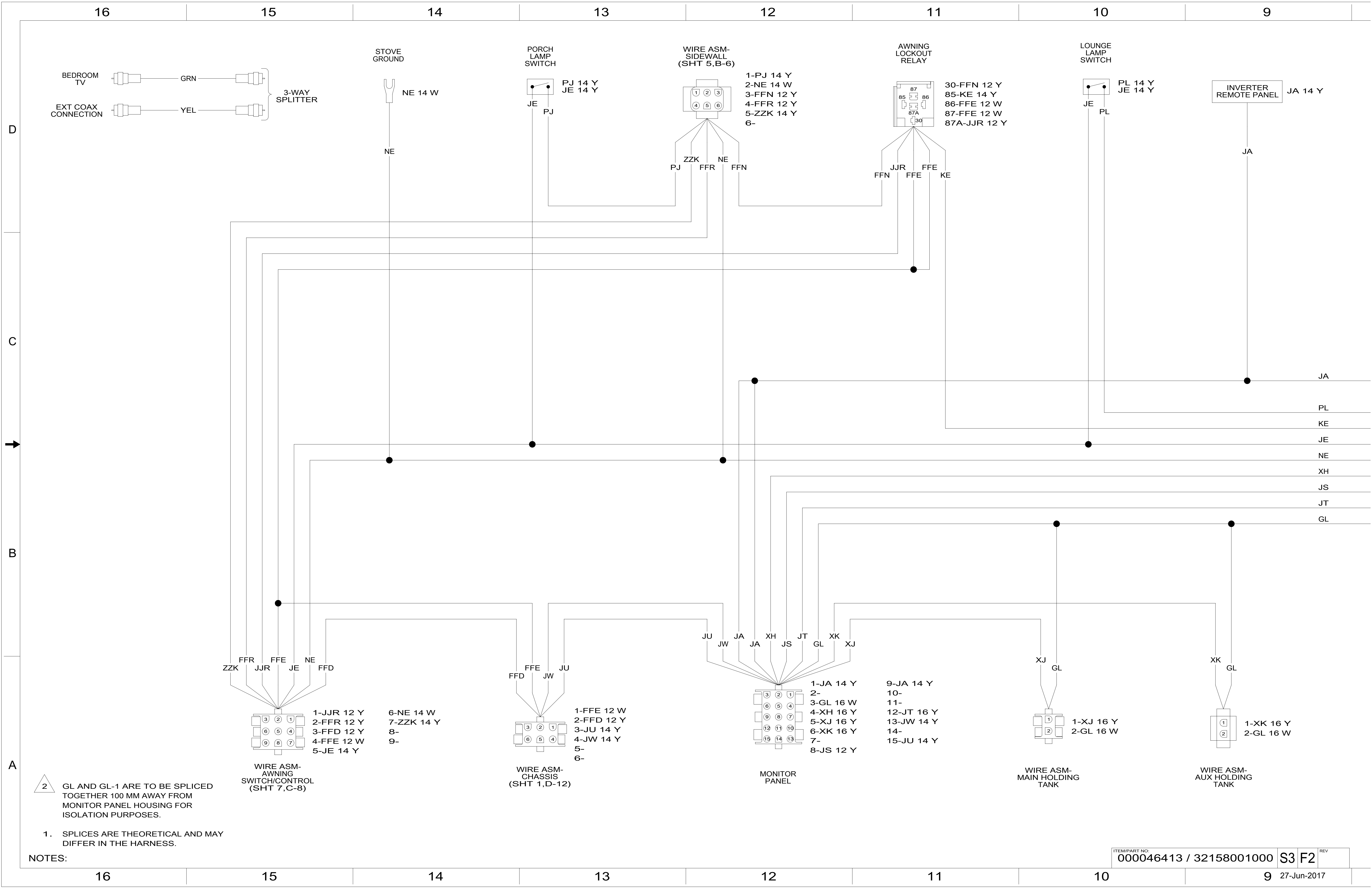


- 1-JC 14 Y
- 2-PE 14 Y
- 3-ET 14 Y
- 4-EU 14 W
- 5-JD 14 Y
- 6-ND 14 W
- 7-JE 14 Y
- 8-NE 14 W

- 9-PL 14 Y
- 10-KE 14 Y
- 11-JS 12 Y
- 12-GL 16 W
- 13-GL-1 14 W
- 14-JT 16 Y
- 15-XH 16 Y

WIRING DIAGRAM-RIGHT (WIRE ASM 000035759 / 318123 REV-B)

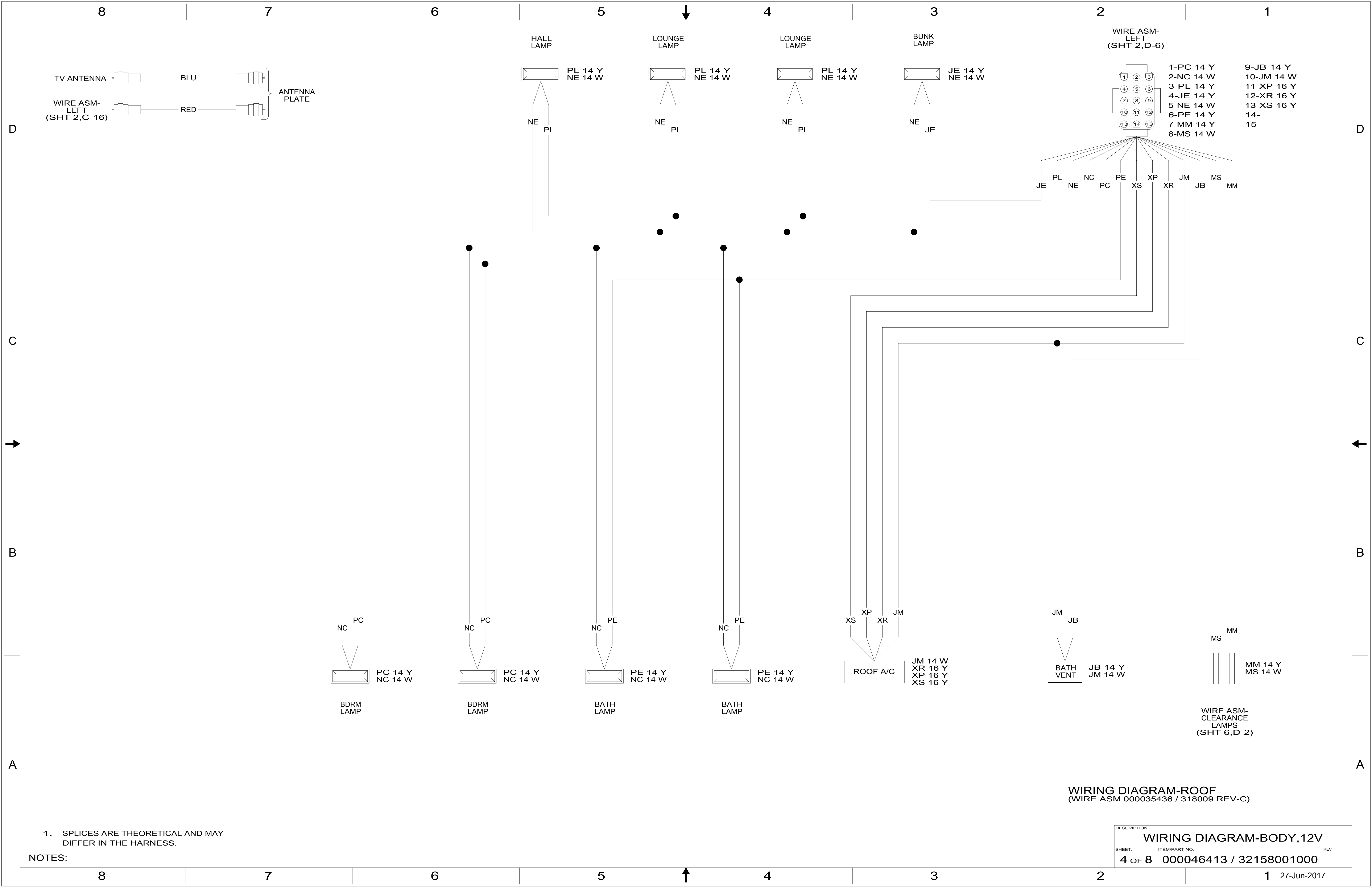
DESCRIPTION:		
WIRING DIAGRAM-BODY, 12V		
SHEET:	ITEM/PART NO:	REV:
F1	3 OF 8 000046413 / 32158001000	



2. GL AND GL-1 ARE TO BE SPLICED TOGETHER 100 MM AWAY FROM MONITOR PANEL HOUSING FOR ISOLATION PURPOSES.

1. SPLICES ARE THEORETICAL AND MAY DIFFER IN THE HARNESS.

NOTES:

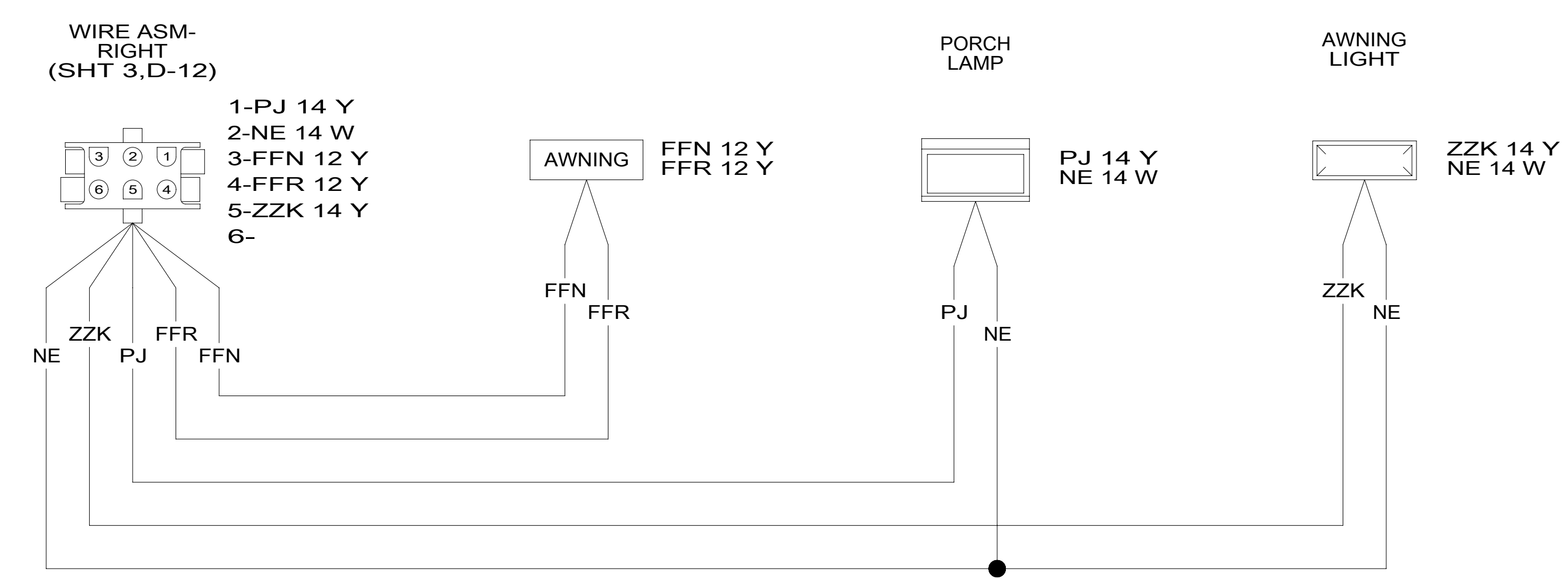
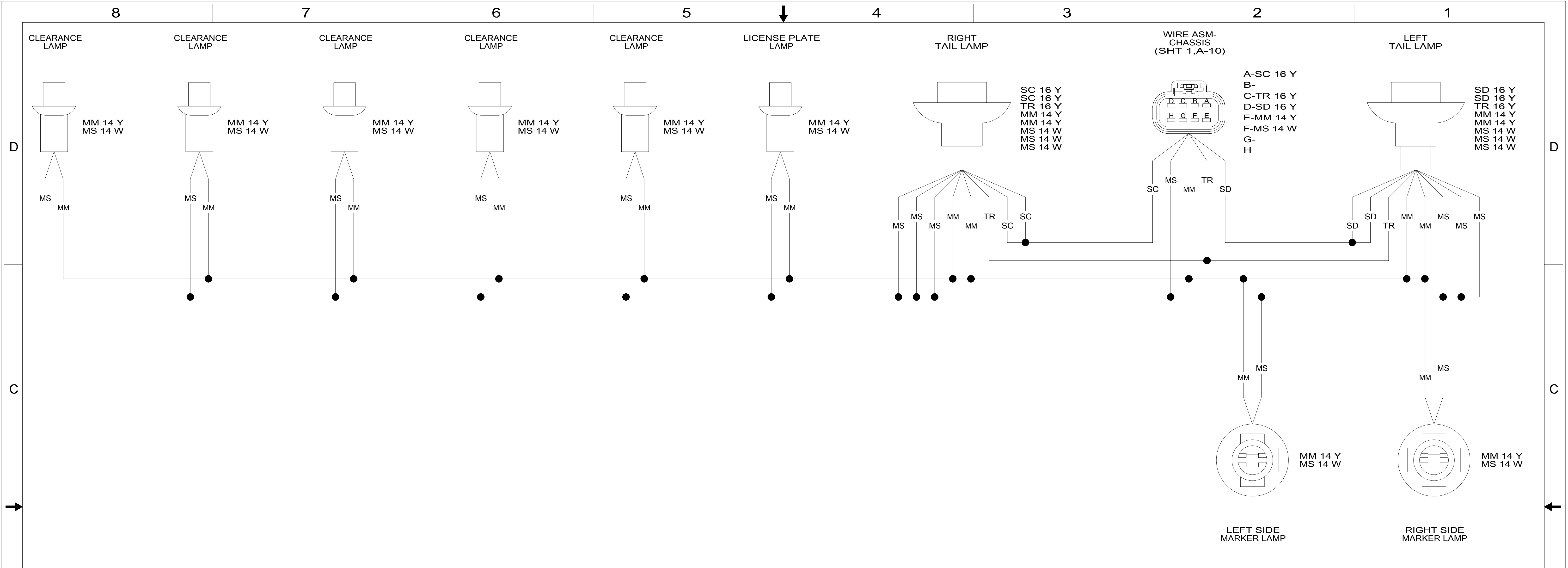


1. SPLICES ARE THEORETICAL AND MAY DIFFER IN THE HARNESS.

NOTES:

WIRING DIAGRAM-ROOF
(WIRE ASM 000035436 / 318009 REV-C)

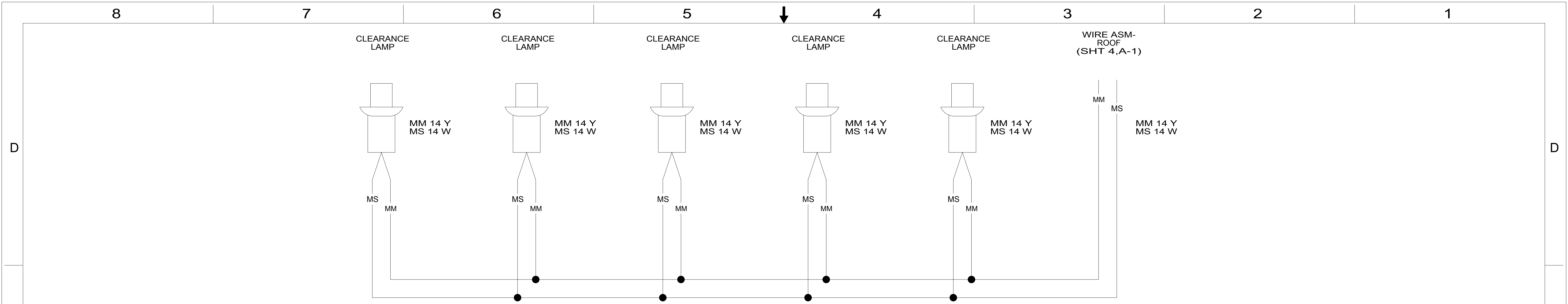
DESCRIPTION: WIRING DIAGRAM-BODY, 12V		
SHEET: 4 OF 8	ITEM/PART NO.: 000046413 / 32158001000	REV:



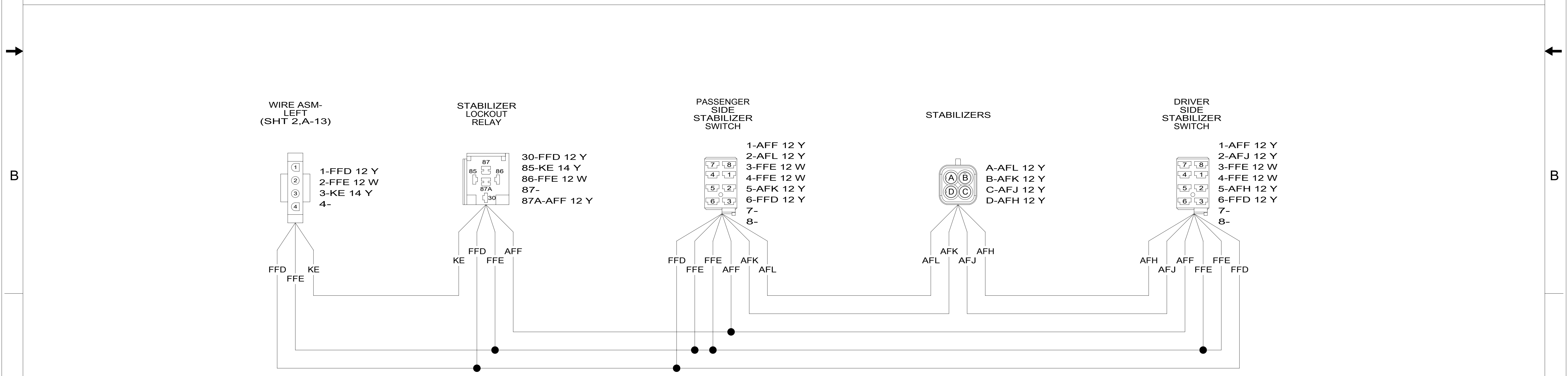
1. SPLICES ARE THEORETICAL AND MAY DIFFER IN THE HARNESS.

NOTES:

DESCRIPTION: WIRING DIAGRAM-BODY, 12V		
SHEET: 5 OF 8	ITEM/PART NO: 000046413 / 32158001000	REV:
27-Jun-2017		



WIRING DIAGRAM-CLEARANCE LAMPS
(WIRE ASM 183813 REV-B)



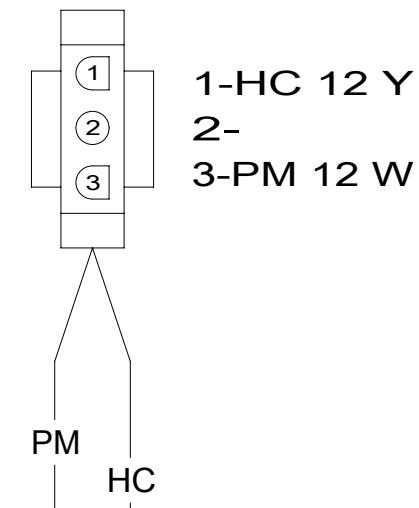
WIRING DIAGRAM-STABILIZERS
(WIRE ASM 000035745 / 318113 REV-B)

1. SPLICES ARE THEORETICAL AND MAY DIFFER IN THE HARNESS.

NOTES:

DESCRIPTION: WIRING DIAGRAM-BODY, 12V		
SHEET: 6 OF 8	ITEM/PART NO: 000046413 / 32158001000	REV

WIRE ASM-
HEATER,RELAY
(SHT 7,D-2)



HEAT PAD #1

HC 14 Y
PM 14 W

HC
PM

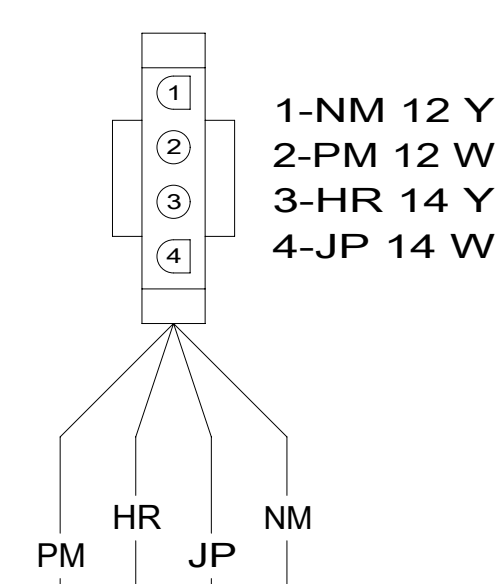
HEAT PAD #2

HC 14 Y
PM 14 W

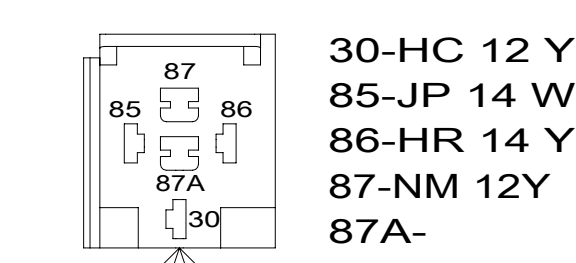
HC
PM

WIRING DIAGRAM-HEATER,TANKS
(WIRE ASM 000035438 / 318010 REV-A)

WIRE ASM-
RIGHT
(SHT 3,D-5)



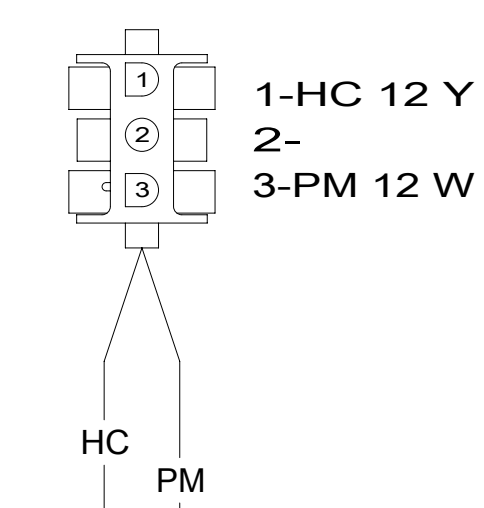
HEATER PADS
RELAY



30-HC 12 Y
85-JP 14 W
86-HR 14 Y
87-NM 12 Y
87A-

NM
JP
HR
HC

WIRE ASM-
HEATER,TANKS
(SHT 7,D-8)

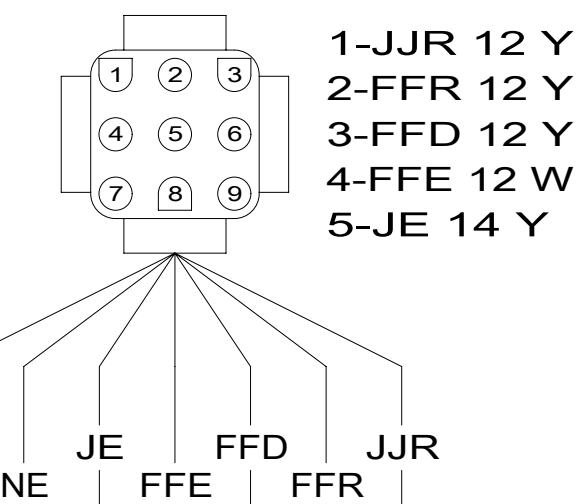


1-HC 12 Y
2-
3-PM 12 W

HC
PM

WIRING DIAGRAM-HEATER,RELAY
(WIRE ASM 153891 REV-B)

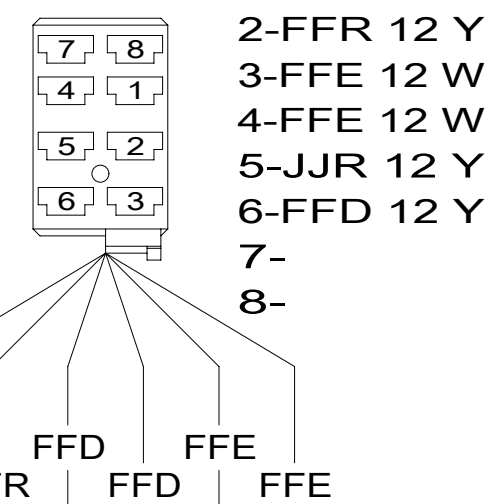
WIRE ASM-
RIGHT
(SHT 3,A-15)



1-JJR 12 Y
2-FFR 12 Y
3-FFD 12 Y
4-FFE 12 W
5-JE 14 Y
6-FFD 12 Y
7-NE 14 W
8-ZZK 14 Y
9-

6-NE 14 W
7-ZZK 14 Y
8-
9-

AWNING
SWITCH



1-FFD 12 Y
2-FFR 12 Y
3-FFE 12 W
4-FFE 12 W
5-JJR 12 Y
6-FFD 12 Y
7-
8-

JJR
FFR
FFD
FFE

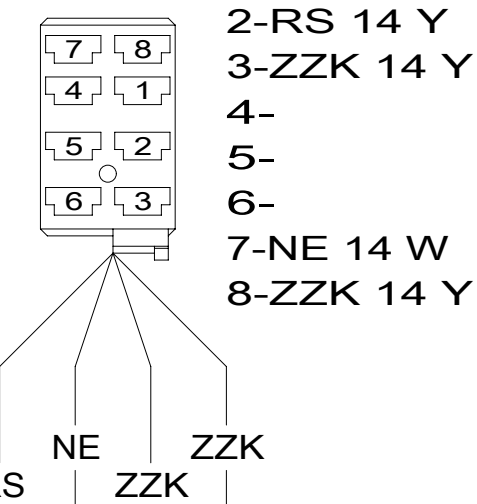
AWNING
LIGHT FUSE
HOLDER



A-JE 14 Y
B-RS 14 Y

JE
RS

AWNING
LIGHT
SWITCH

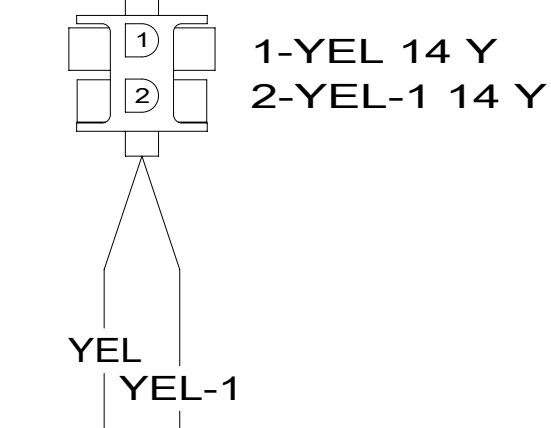


1-
2-RS 14 Y
3-ZZK 14 Y
4-
5-
6-
7-NE 14 W
8-ZZK 14 Y

RS
NE
ZZK

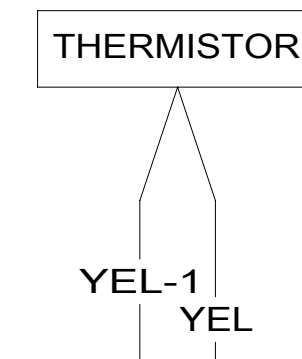
WIRING DIAGRAM-AWNING CONTROL
(WIRE ASM 000006616 / 310399 REV-B)

WIRE ASM-
CHASSIS
(SHT 1,D-7)



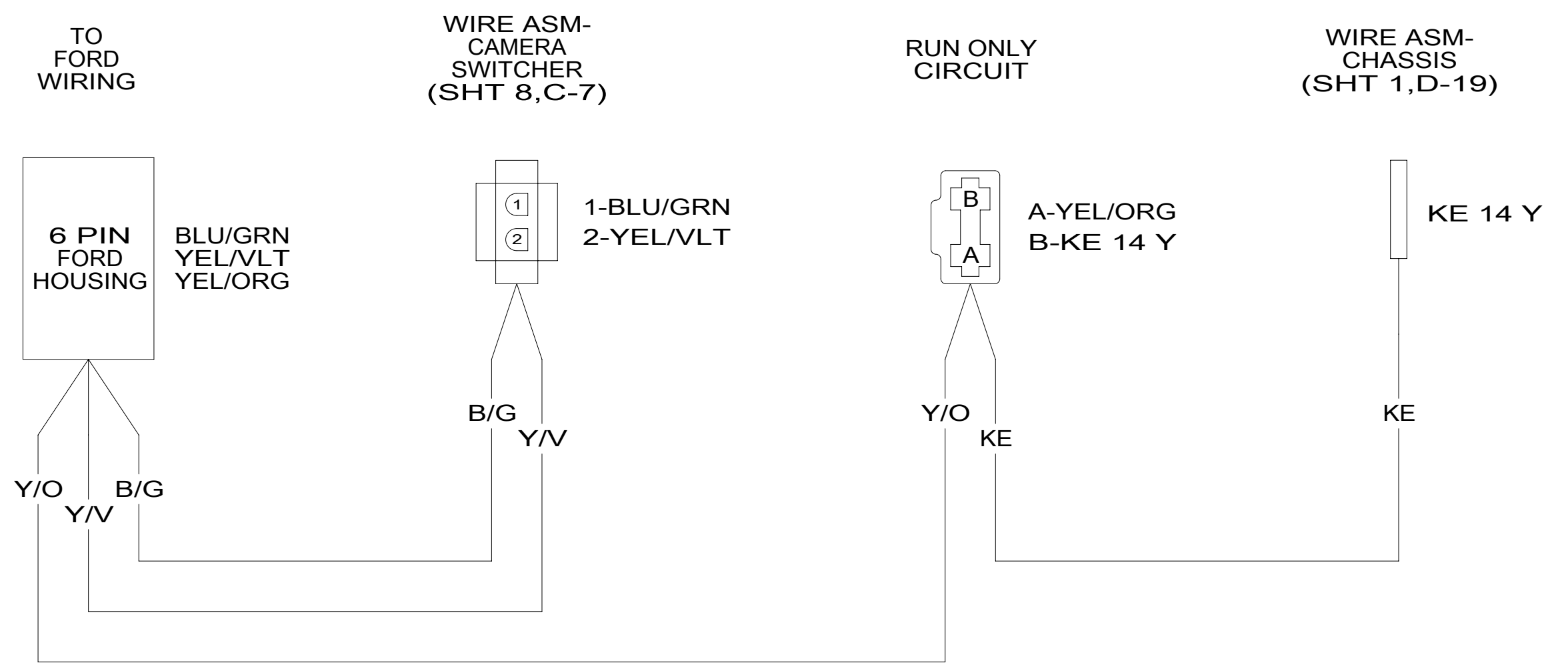
1-YEL 14 Y
2-YEL-1 14 Y

YEL
YEL-1

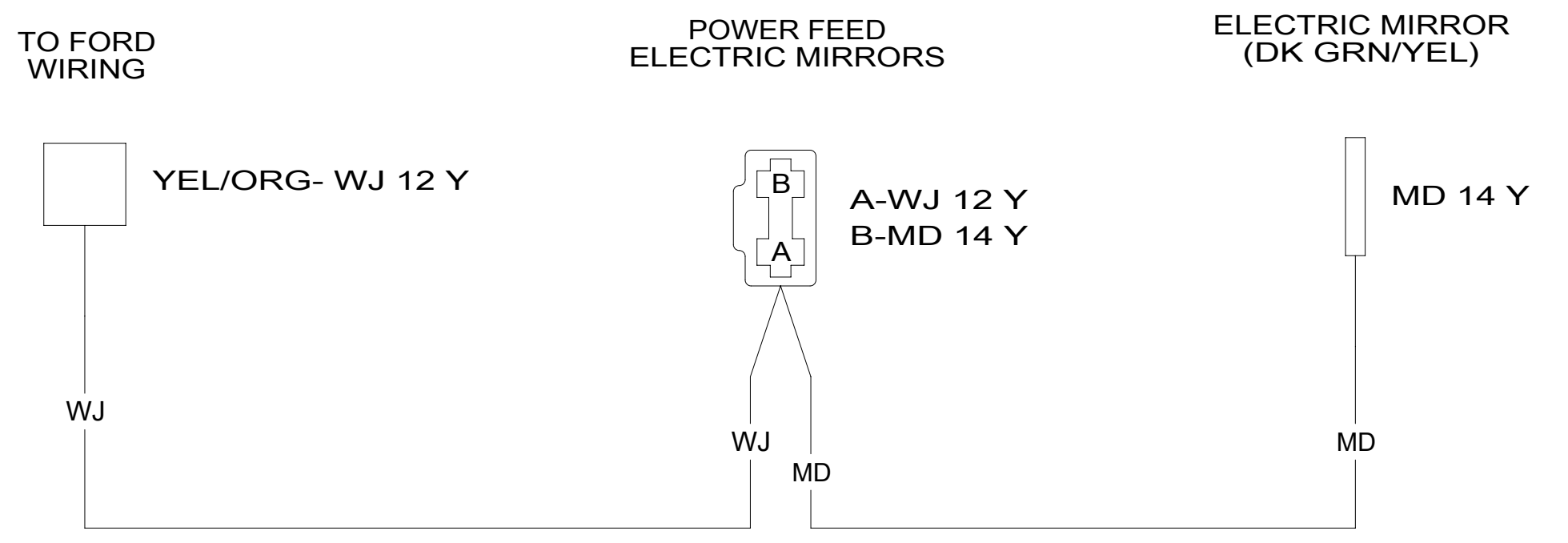


YEL-1
YEL

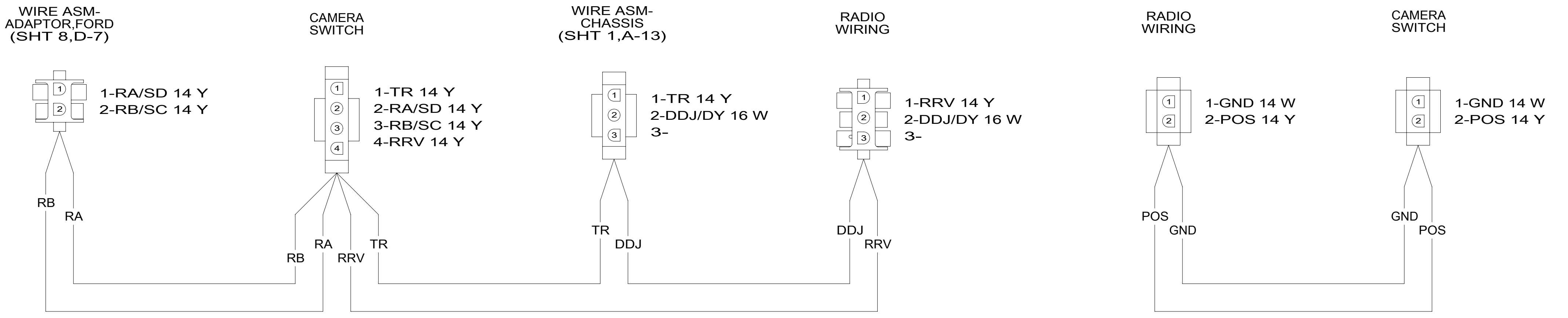
WIRING DIAGRAM-THERMISTOR,PTC
(WIRE ASM 186796 REV-A)



WIRING DIAGRAM-ADAPTOR,FORD
(WIRE ASM 000022154 / 314397 REV-A)



WIRING DIAGRAM-POWER MIRRORS
(WIRE ASM 000031661 / 317008 REV-A)



WIRING DIAGRAM-CAMERA SWITCHER
(WIRE ASM 000022152 / 314396 REV-A)