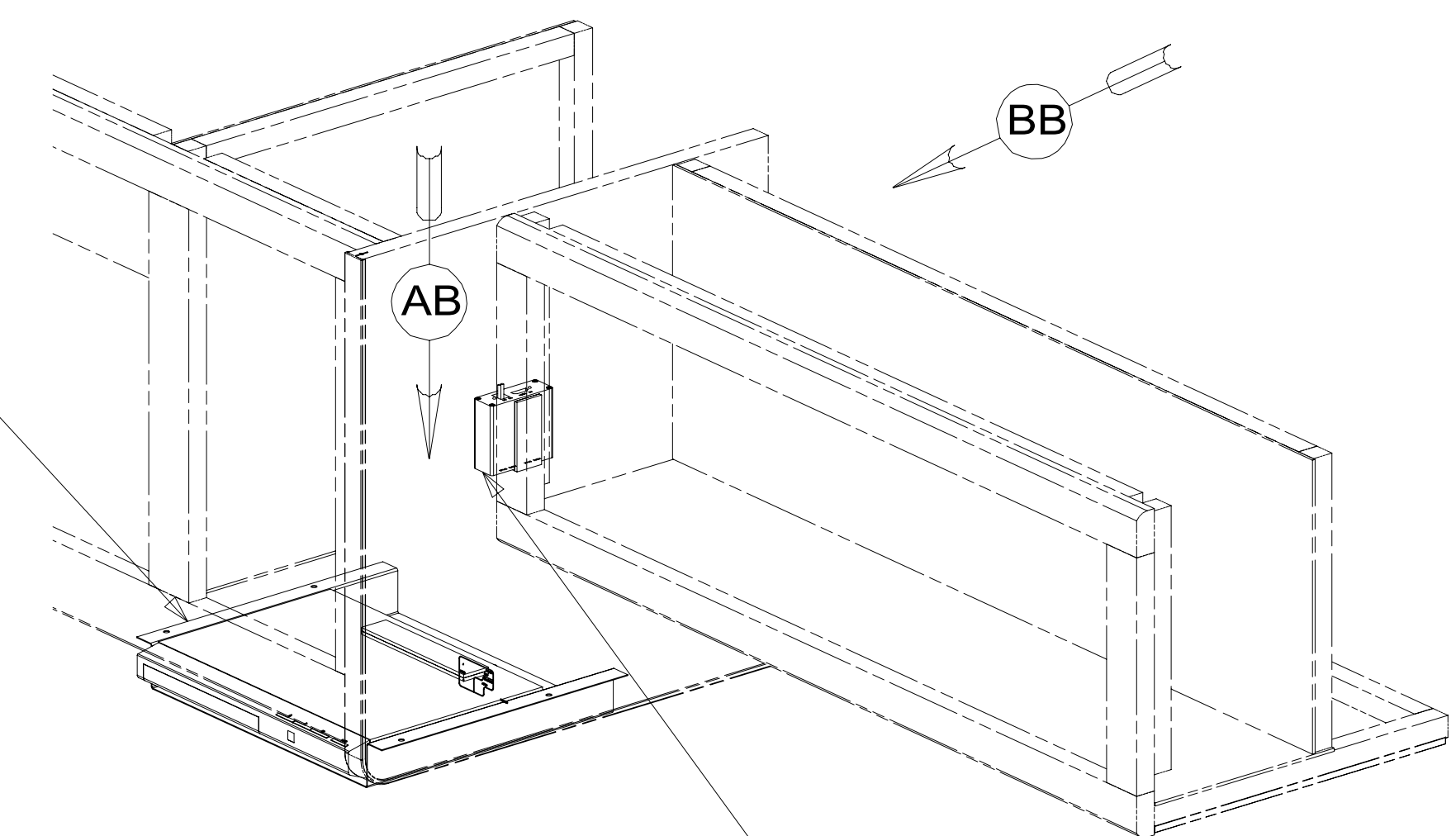


DVD PLAYER W/HDMI OUT  
 186774-01-000  
 BRACKET-DVD PLAYER  
 184814-03-CHT  
 SCREW  
 00067-10-12U (6)  
 FASTENER-DUAL LOCK  
 085774-01-000 (130 MM)  
 085774-02-000 (130 MM)

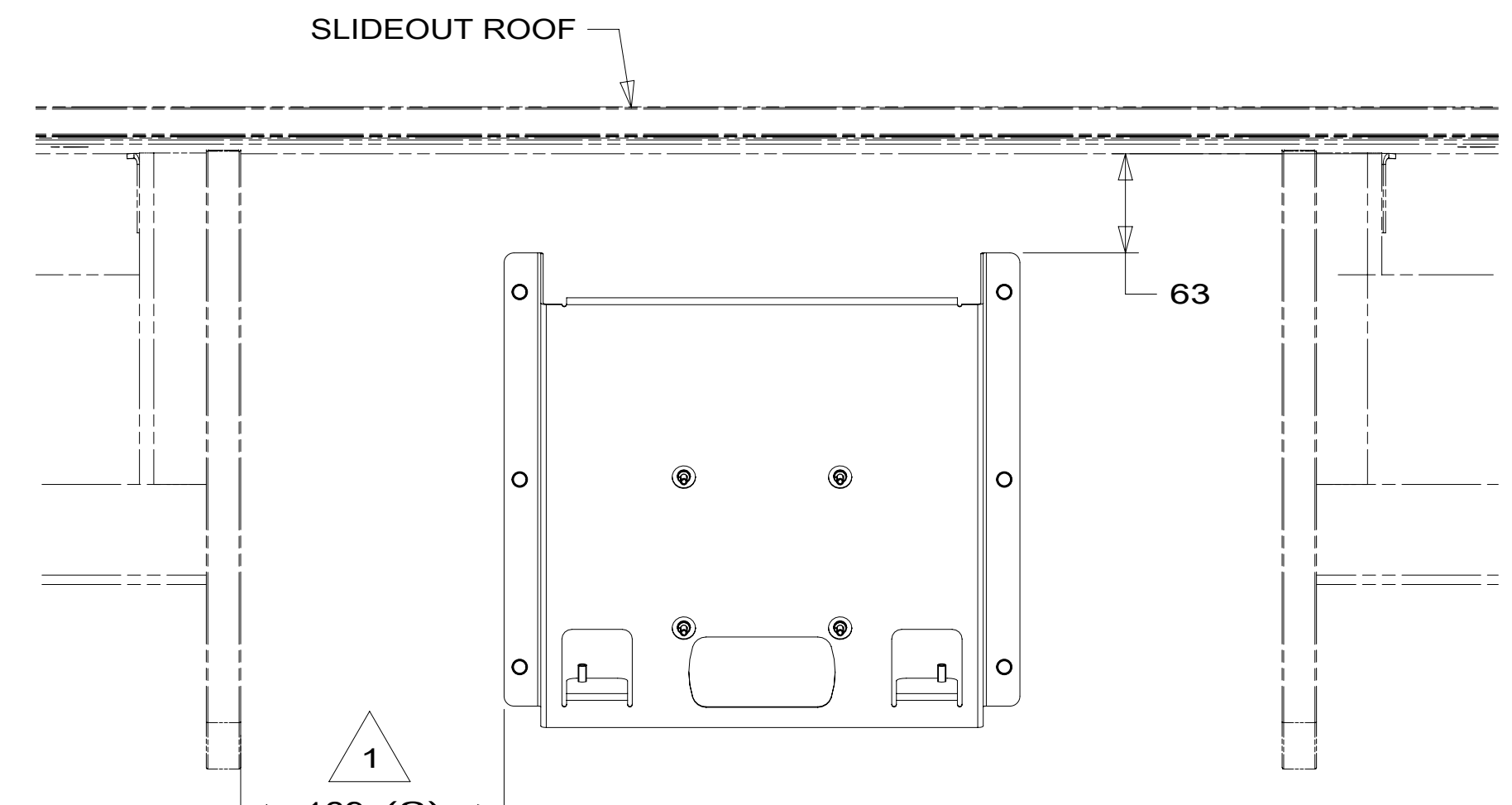


TV-32\"/>

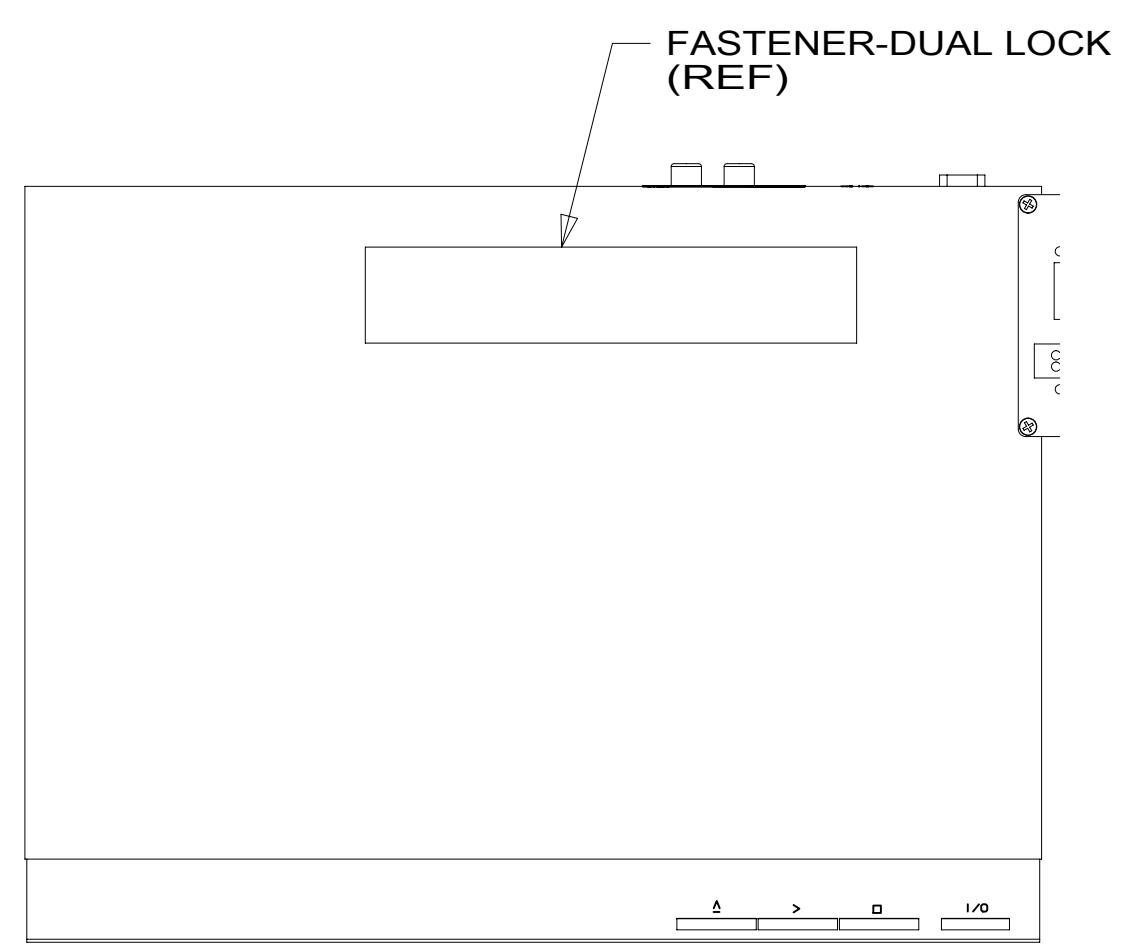
SPLITTER-HDMI  
 (REF)

BRACKET-TV,32\"/>

PLATE-MNTNG,TV,32\"/>



VIEW AA  
 (TV NOT SHOWN)



VIEW AB

- 68X TV - BEDROOM
- 682 TV - BUNK BEDS
- 68Y TV - MAIN
- 265 CODES/STANDARDS-CSA/CMVSS
- 1B1 CODES/STANDARDS USA

1B1 265 68Y

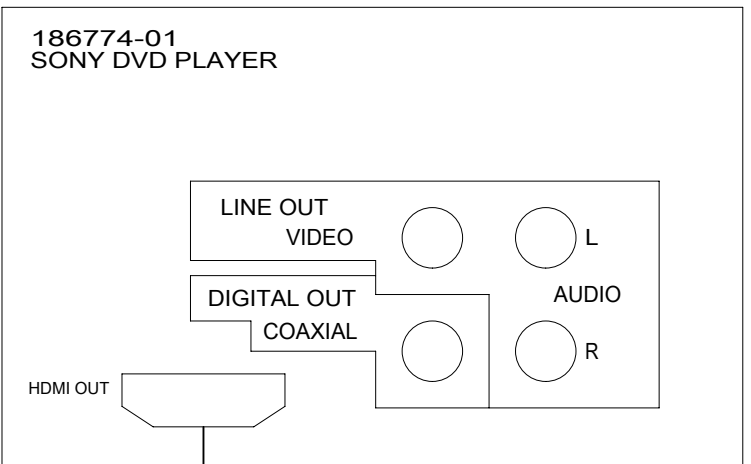
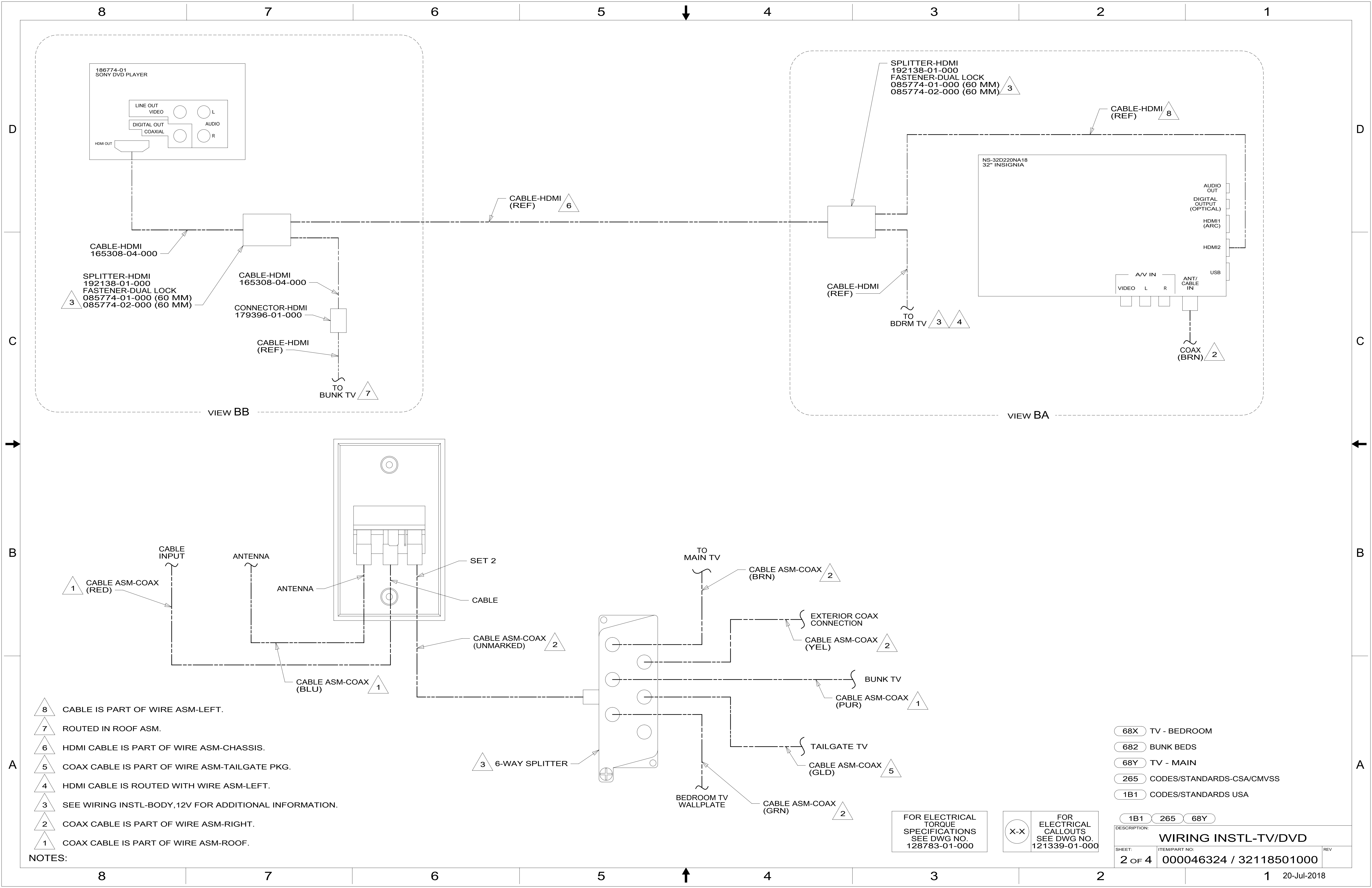


DSNR:		ALL DIMENSIONS ARE IN MILLIMETERS	
DIFFR:		MATERIAL:	
UNSPECIFIED TOLERANCES:		WEIGHT: (LBS)	FIRST USED:
WHOLE DIM (X)	: 3		18 331G
ONE-PLACE (X.X)	: 1.5		
TWO-PLACE (X.XX)	: 0.50		
ANGLE	: 1°		
REFER TO ES0018 FOR FASTENER TIGHTENING GUIDELINES			
DESCRIPTION: <b>WIRING INSTL-TV/DVD</b>			
SHEET:	ITEM/PART NO.:	REV:	
1 OF 4	000046324 / 32118501000		

- NOTES:
- 4 SEE SHEET 2 ZONE D4 FOR ADDITIONAL INFORMATION.
  - 3 PREP BOTH SURFACES WITH ADHISIVE-PROMOTER 87211-01-000.
  - 2 ATTACH FASTENER-DUAL LOCK TO DVD PLAYER POSITIONED AS SHOWN.
  - 1 MOUNT TV BRACKET CENTERED BETWEEN CABINETS.

FOR ELECTRICAL TORQUE SPECIFICATIONS SEE DWG NO. 128783-01-000

FOR ELECTRICAL CALLOUTS SEE DWG NO. 121339-01-000



VIEW BB

VIEW BA

- NOTES:
- 8 CABLE IS PART OF WIRE ASM-LEFT.
  - 7 ROUTED IN ROOF ASM.
  - 6 HDMI CABLE IS PART OF WIRE ASM-CHASSIS.
  - 5 COAX CABLE IS PART OF WIRE ASM-TAILGATE PKG.
  - 4 HDMI CABLE IS ROUTED WITH WIRE ASM-LEFT.
  - 3 SEE WIRING INSTL-BODY, 12V FOR ADDITIONAL INFORMATION.
  - 2 COAX CABLE IS PART OF WIRE ASM-RIGHT.
  - 1 COAX CABLE IS PART OF WIRE ASM-ROOF.

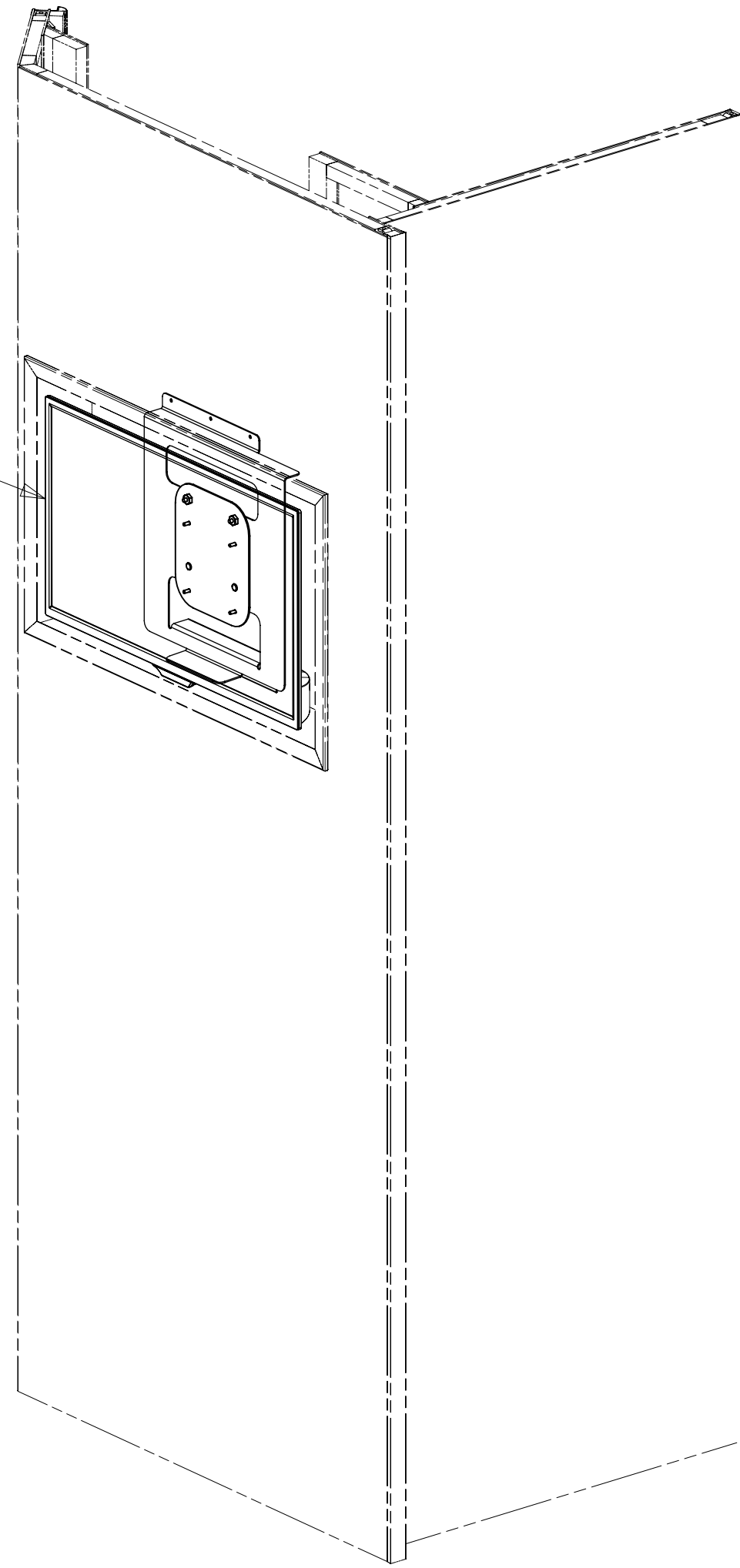
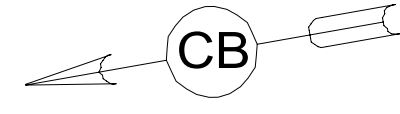
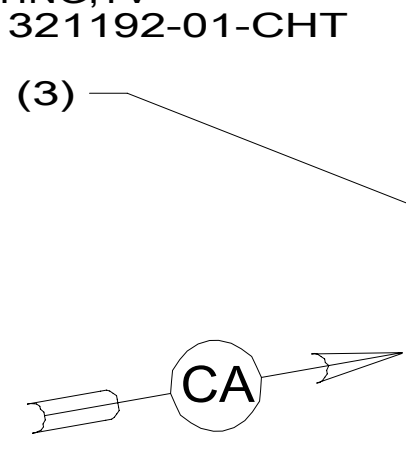
FOR ELECTRICAL TORQUE SPECIFICATIONS SEE DWG NO. 128783-01-000

FOR ELECTRICAL CALLOUTS SEE DWG NO. 121339-01-000

- 68X TV - BEDROOM
- 682 BUNK BEDS
- 68Y TV - MAIN
- 265 CODES/STANDARDS-CSA/CMVSS
- 1B1 CODES/STANDARDS USA

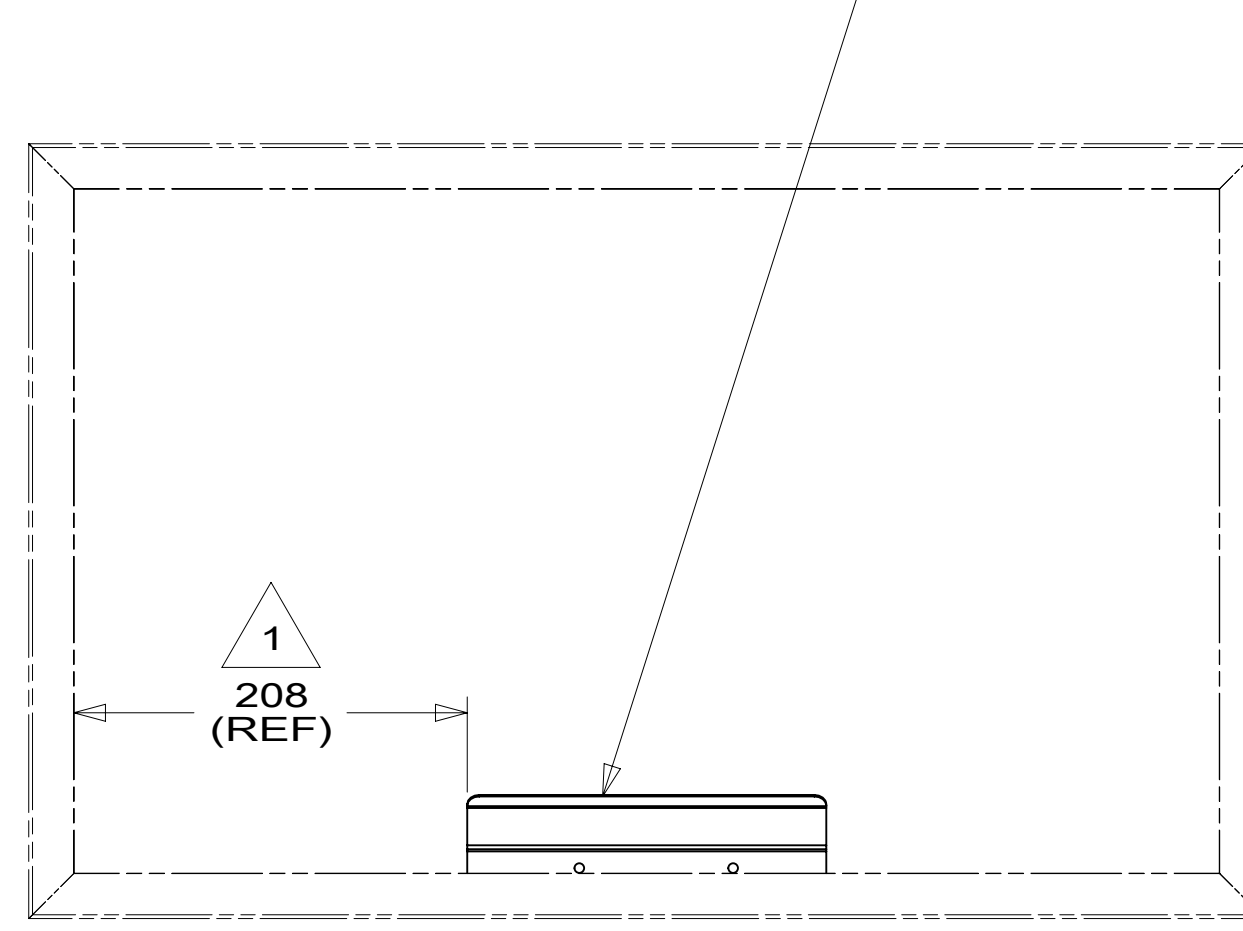
DESCRIPTION: <b>WIRING INSTL-TV/DVD</b>		
SHEET: 2 OF 4	ITEM/PART NO: 000046324 / 32118501000	REV:
20-Jul-2018		

TV-24" HDTV, INSIGNIA  
 000167921 / 330227-01-000  
 SCREW  
 OMG02U-04-012 (4)  
 WASHER  
 OME02U-04-071 (4)  
 PLATE ASM  
 000168018 / 330250-01-CHT  
 NUT  
 000D65-08-00U (2)  
 SCREW  
 000G19-10-10U (2)  
 PLATE-MOUNTING,TV  
 000046346 / 321192-01-CHT  
 SCREW  
 G39-10-16U (3)

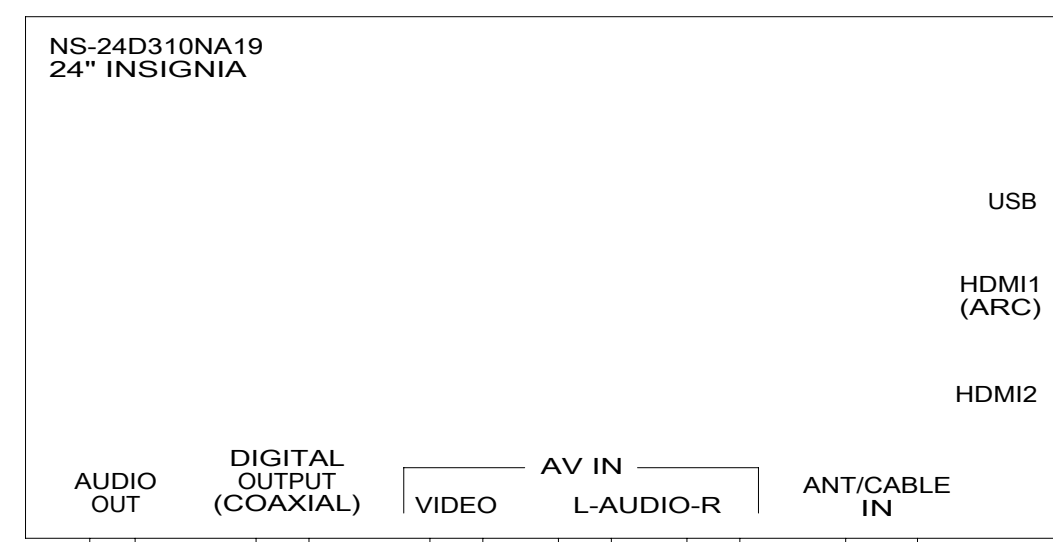


BATH CABINET  
(REF)

CLIP-TRIM  
 130034-02-CHT  
 SCREW  
 G39-10-16U (2)



VIEW CA  
(TV NOT SHOWN)



VIEW CB

- NOTES:
- 3 SEE SHEET 2 ZONE D4 FOR ADDITIONAL INFORMATION.
  - 2 SEE ROOF ASM FOR ADDITIONAL INFORMATION.
  - 1 MOUNT CLIP SETTING ON BOTTOM OF ENCLOSURE AND CENTERED LEFT TO RIGHT.

FOR ELECTRICAL  
 TORQUE  
 SPECIFICATIONS  
 SEE DWG NO.  
 128783-01-000

FOR ELECTRICAL  
 CALLOUTS  
 SEE DWG NO.  
 121339-01-000

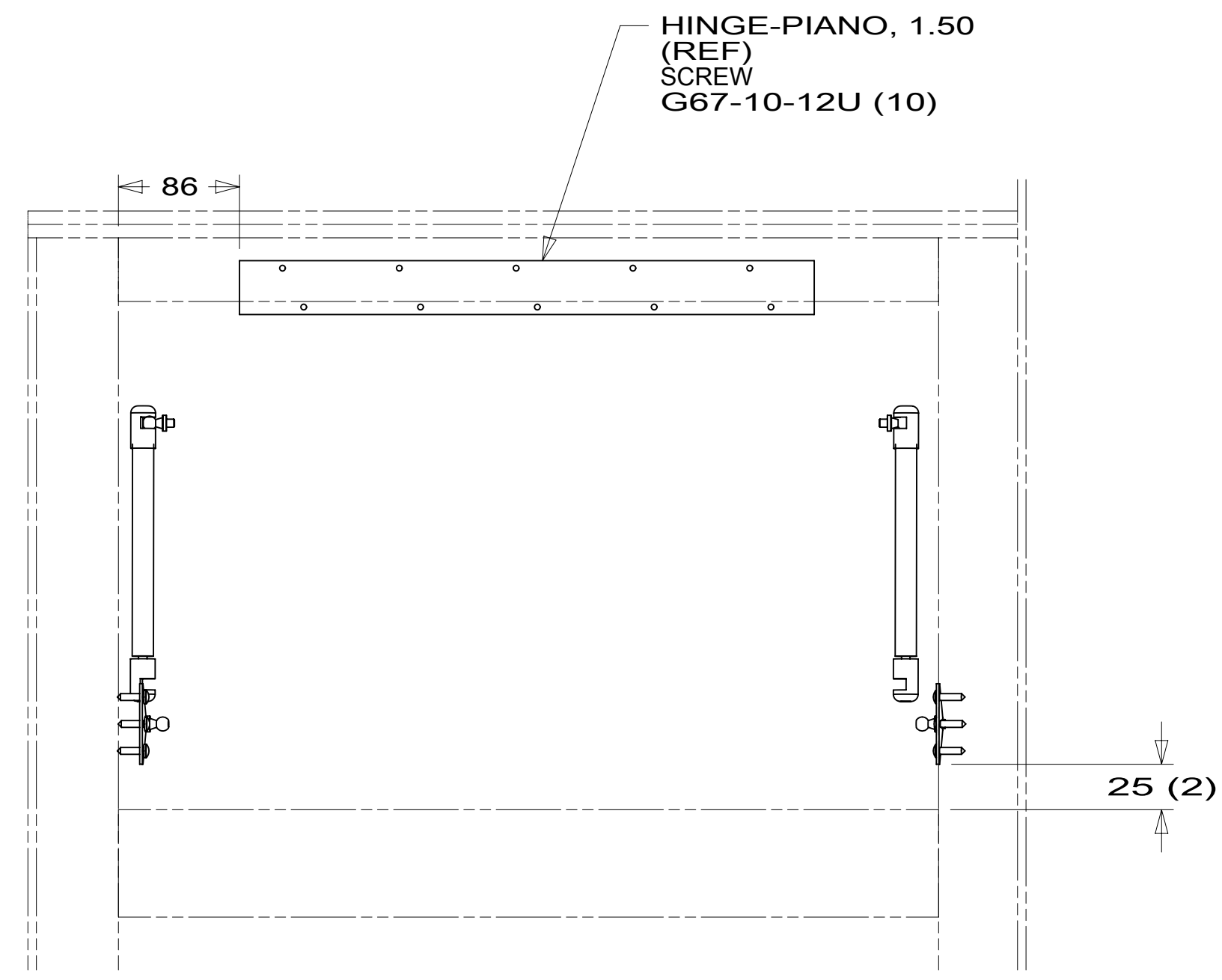
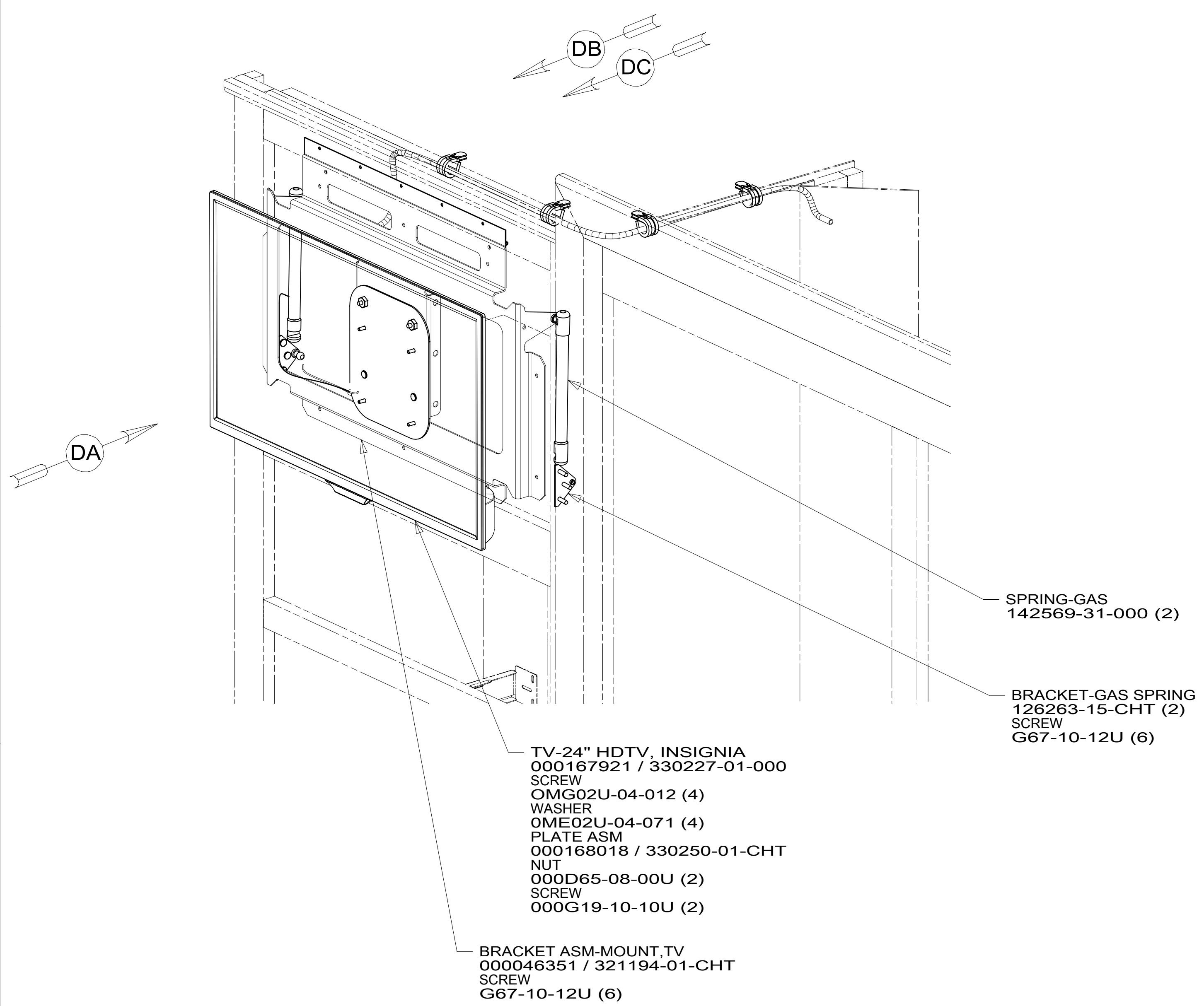
- 682 TV - BUNK BEDS
- 265 CODES/STANDARDS-CSA/CMVSS
- 1B1 CODES/STANDARDS USA

DESCRIPTION:	1B1 265 682	
<b>WIRING INSTL-TV/DVD</b>		
SHEET:	ITEM/PART NO:	REV
3 OF 4	000046324 / 32118501000	

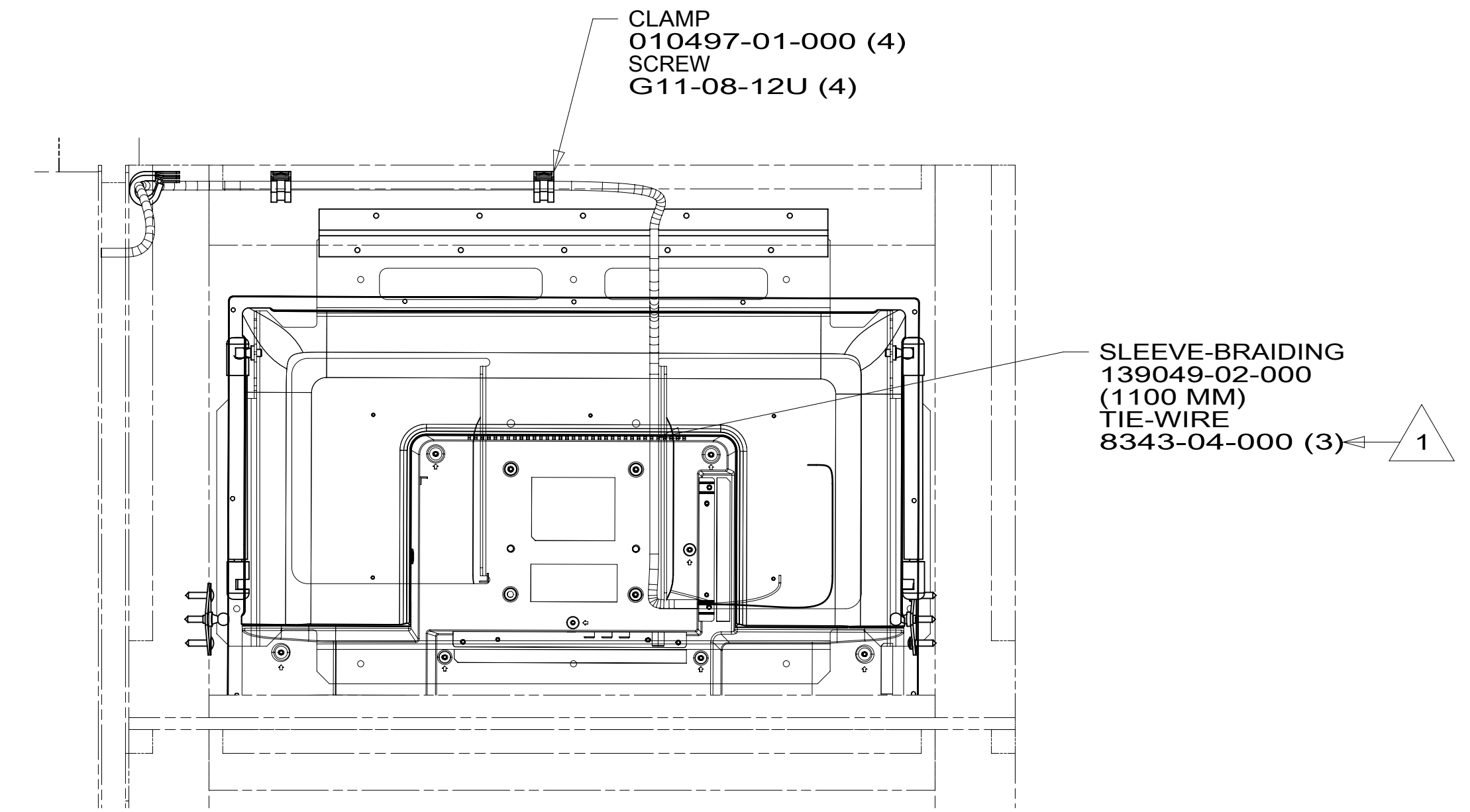
8 7 6 5 4 3 2 1

D  
C  
B  
A

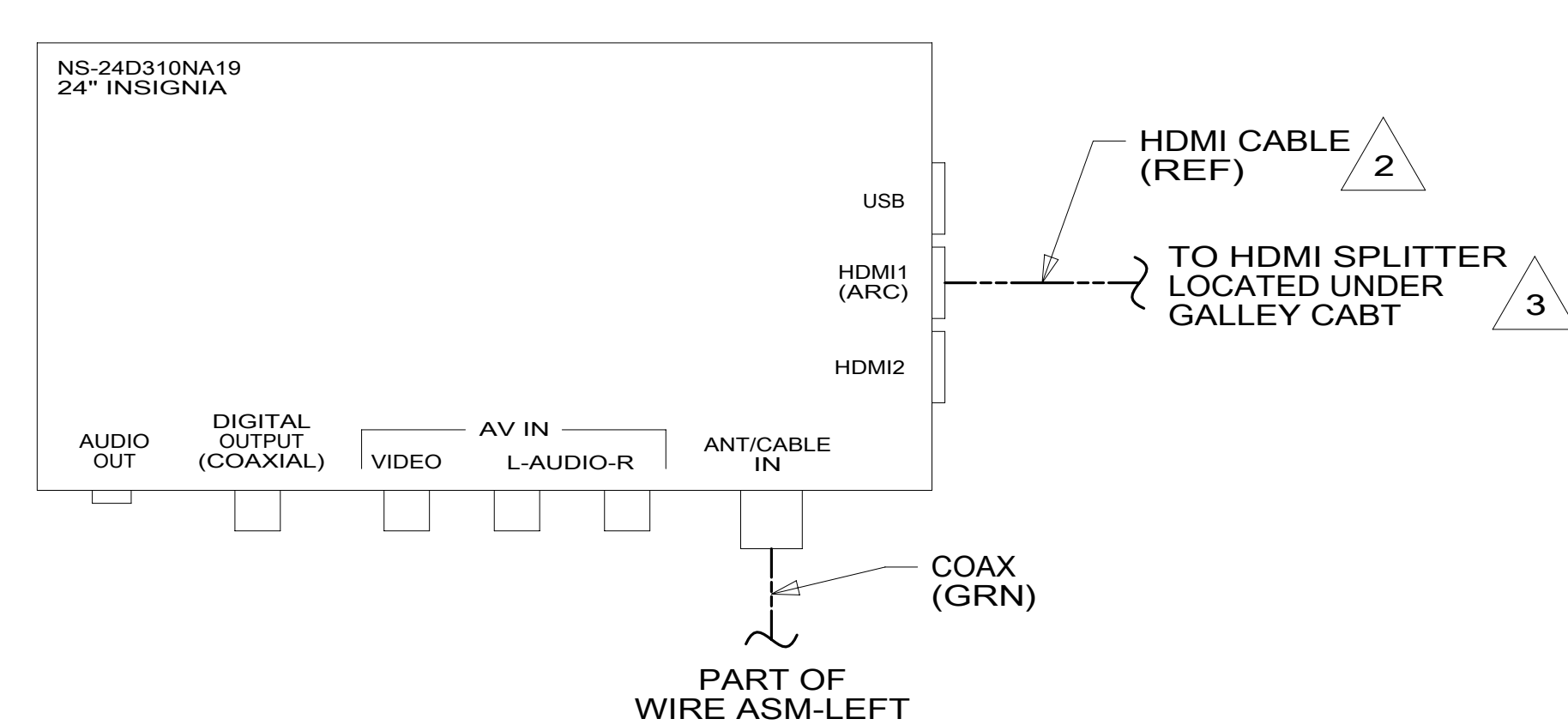
D  
C  
B  
A



VIEW DA  
(TV NOT SHOWN)



VIEW DC



VIEW DB

- NOTES:
- 3 SEE SHEET 2 ZONE D6 FOR ADDITIONAL INFORMATION.
  - 2 SEE WIRING INSTL-BODY, 12V FOR ADDITIONAL INFORMATION.
  - 1 ATTACH WIRE ASM TO HOLES IN BRACKET.

FOR ELECTRICAL TORQUE SPECIFICATIONS SEE DWG NO. 128783-01-000

X-X

FOR ELECTRICAL CALLOUTS SEE DWG NO. 121339-01-000

- 68X TV - BEDROOM
- 265 CODES/STANDARDS-CSA/CMVSS
- 1B1 CODES/STANDARDS USA

DESCRIPTION: <b>WIRING INSTL-TV/DVD</b>		
SHEET: 4 OF 4	ITEM/PART NO: 000046324 / 32118501000	REV

8 7 6 5 4 3 2 1 20-Jul-2018