

FRONT
OF
COACH

- 13. APPLY 1/4" BEAD OF SILICONE (131264-05-CHT) TO FLANGE BEFORE INSTALLATION AND THEN CAP SEAL SINK COUNTERTOP WITH SILICONE (131264-05-CHT).
- 12. PIPE TO BE INSTALLED AFTER THE ROOF IS INSTALLED.
- 11. GLUE FITTING AFTER CABINET IS INSTALLED.
- 10. APPLY PRIMER 126427-02-000 AND CEMENT 126427-01-000 BETWEEN ELBOW AND FLEX PIPE.
- 9. SEE DRAWING 061607 FOR INSTALLATION OF GROMMETS.
- 8. SECURE DRAINAGE PIPES TO CABINET USING WIRE TIE 108046-02-000, AND SCREW 000G67-10-12U AT INTERVALS OF NOT OF NOT MORE THAN 4 FEET APART.
- 7. SECURE VENT PIPE TO FLOOR WITH CLAMP 000156237 / 326663-02-000 (2), SCREW 000G67-10-12U (2), BRACKET 136878-01-CHT (2).
- 6. VENT PIPE MUST PROJECT 51 MIN AND 64 MAX ABOVE ROOF FOR PROPER FIT AND FUNCTION. ADD S-1 (000156099 / 326607-01-CHT SEAL-VENT PIPE) AROUND PIPE ON ROOF BEFORE VENT CAP IS INSTALLED.
- 5. SEAL AROUND SHOWER WITH SILICONE.
- 4. USE SMOOTH PLUMBERS PUTTY 167459-01-000 TO SEAL STRAINER (0.2 PER STRAINER).
- 3. ALL PIPE AND FITTINGS TO BE ASSEMBLED WITH SOLVENT 004020-01-000 (USA), 004020-02-000 (CAN)
- 2. SLOPE OF TRAP ARM MUST BE 6 PER 305 mm.
- 1. SLOPE OF HORIZONTAL PIPING TO BE MINIMUM OF 3 PER 305 mm.

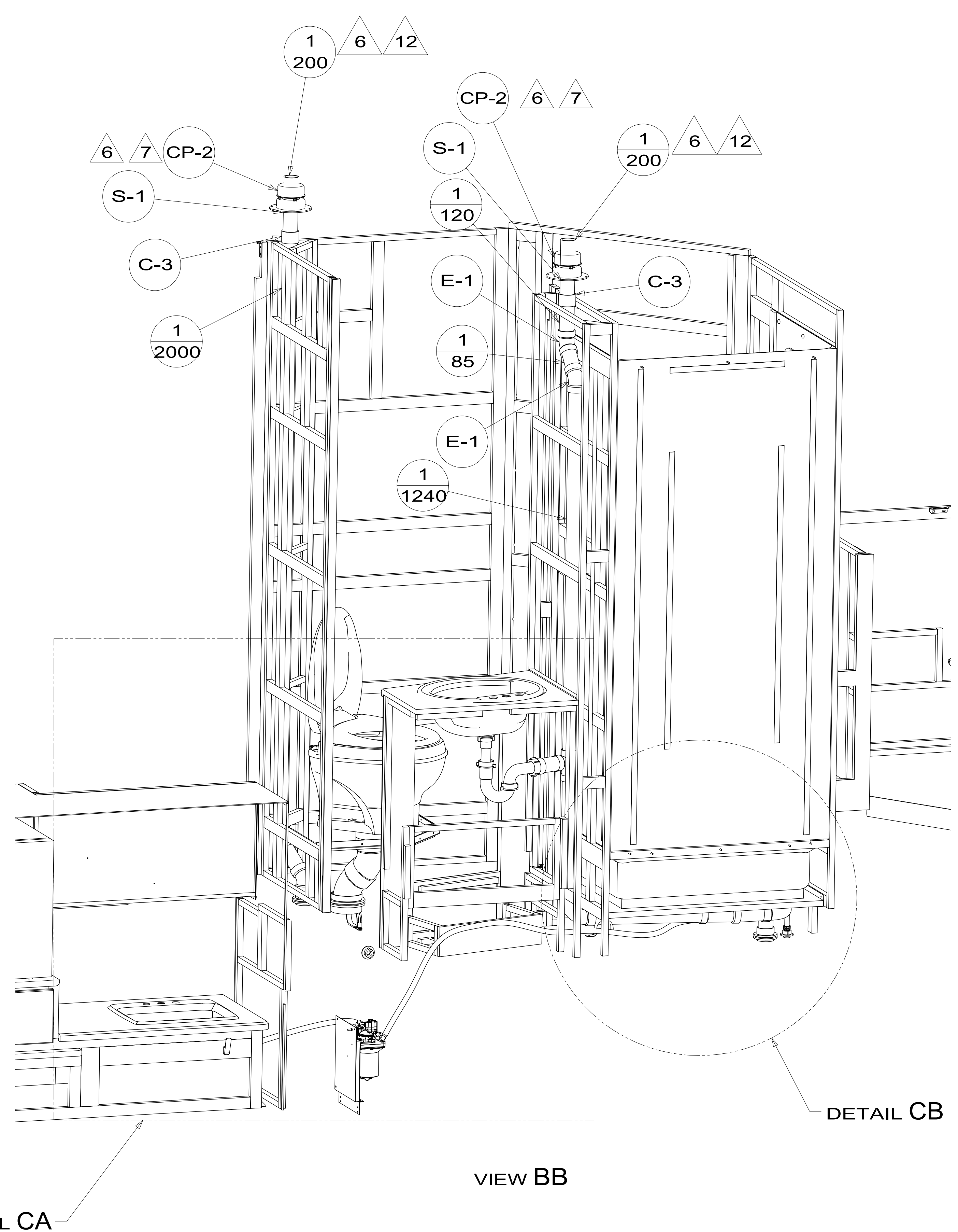
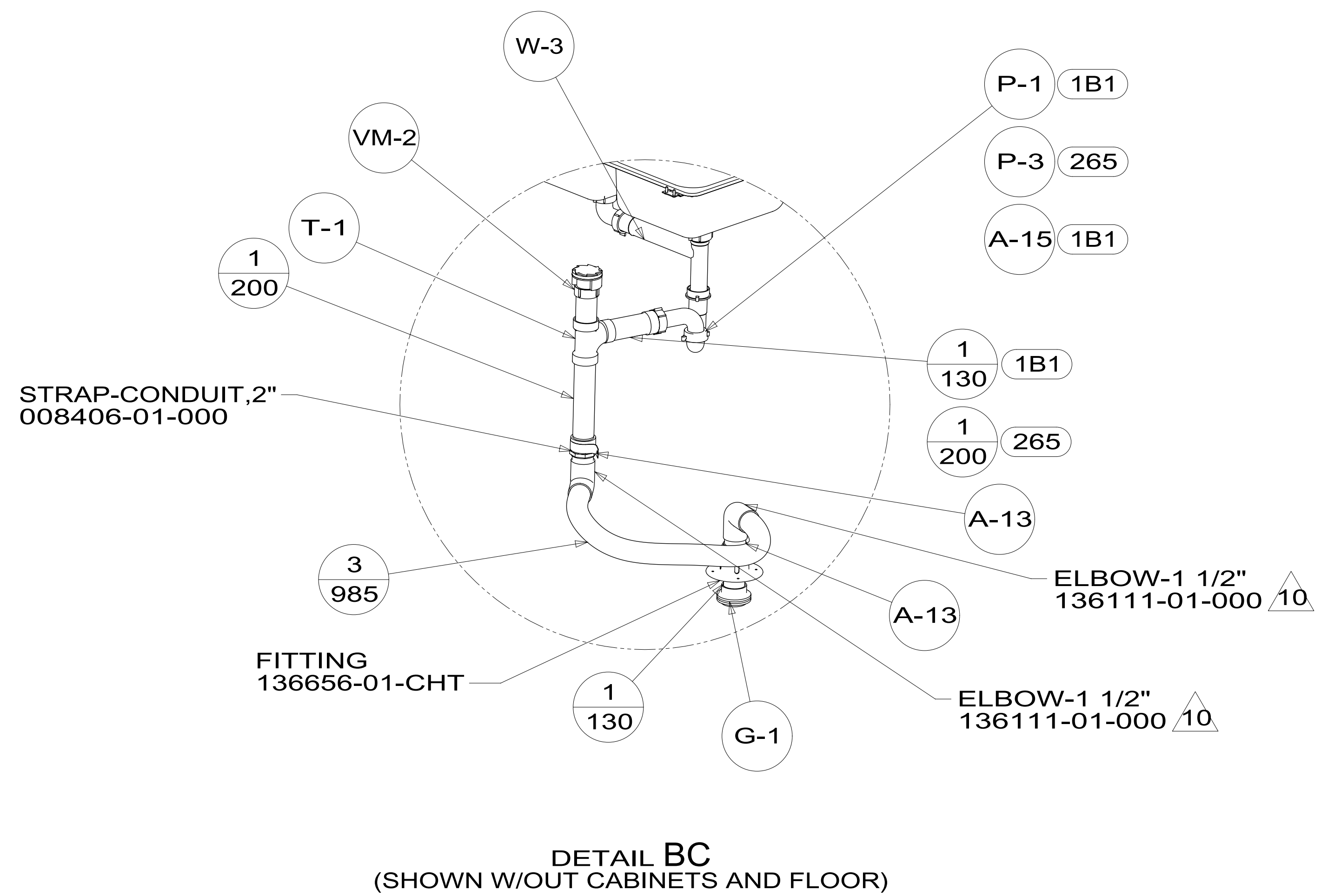
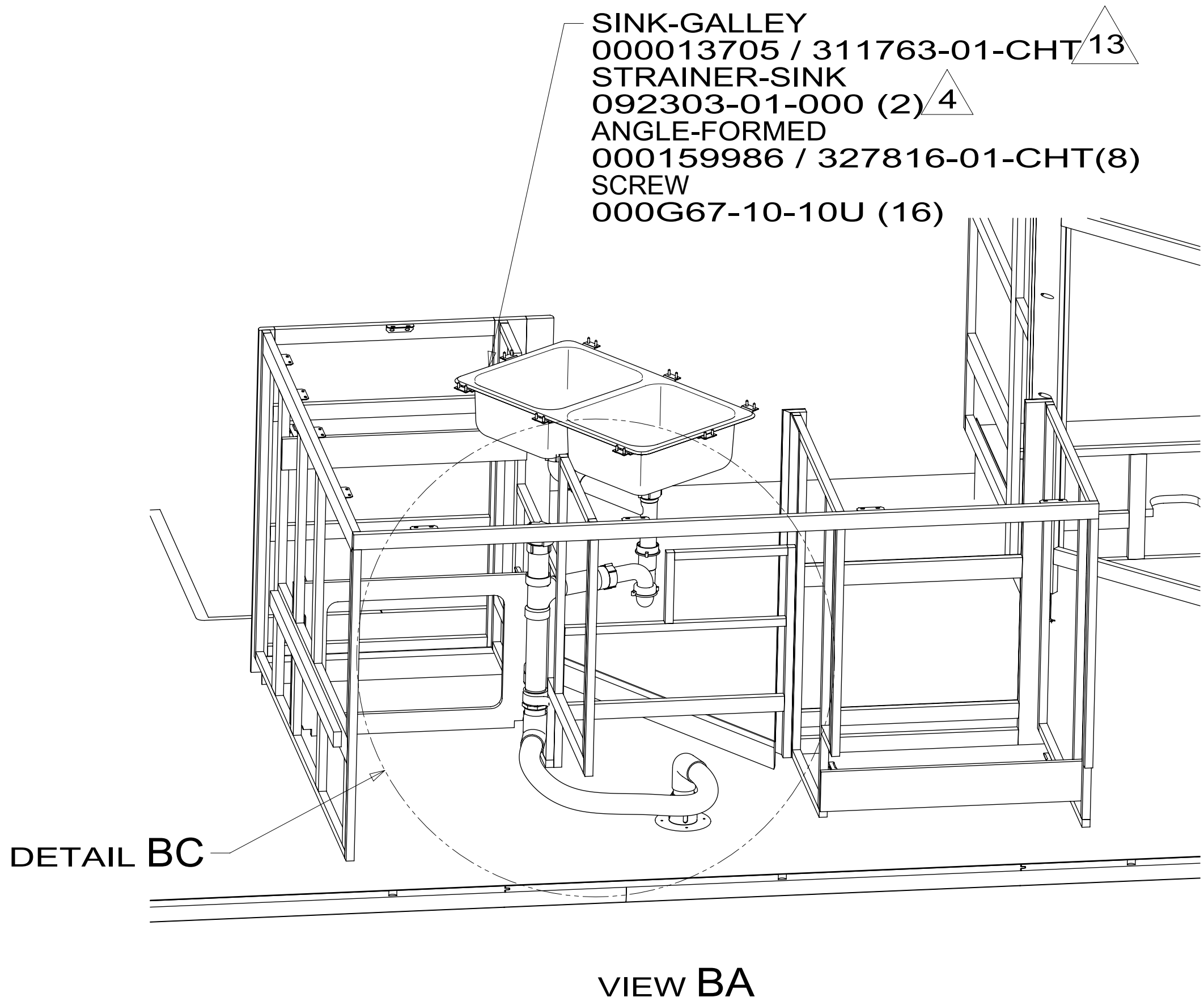
NOTES:

- 1B1 CODES/STANDARDS USA
- 265 CODES/STANDARDS-CSA/CMVSS

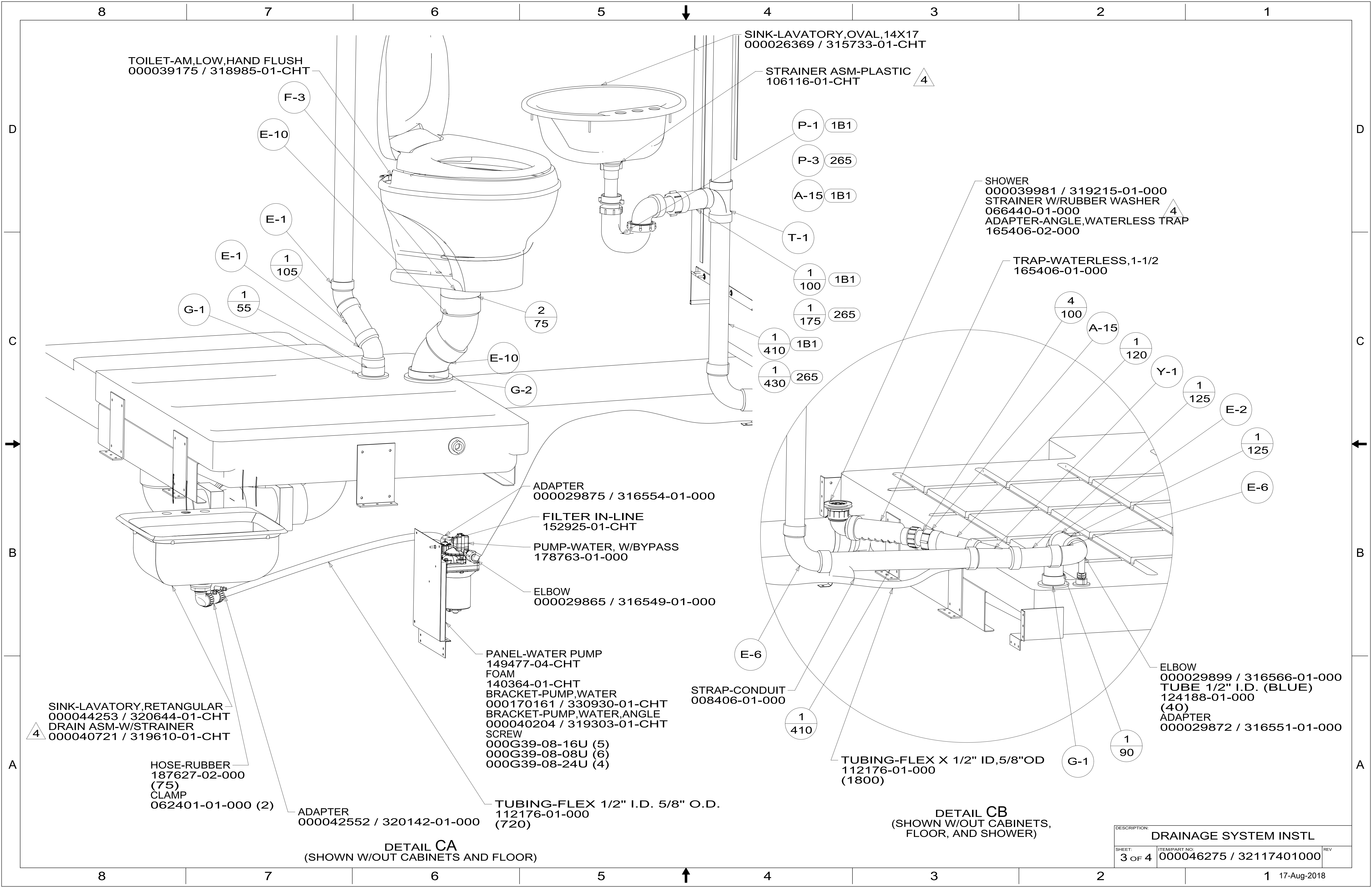
WINNEBAGO
COPYRIGHT 2018 WINNEBAGO INDUSTRIES, INC.

DSNR:		ALL DIMENSIONS ARE IN MILLIMETERS	
DIFTR:		⊕	
UNSPECIFIED TOLERANCES:	MATERIAL:		
WHOLE DIM (X) :	3		
ONE-PLACE (X.X) :	1.5		
TWO-PLACE (X.XX) :	0.50		
ANGLE :	1°		
REFER TO ES0018 FOR FASTENER TIGHTENING GUIDELINES	WEIGHT: (LBS)	FIRST USED: (REF)	
		18 V31P	
DESCRIPTION:			
DRAINAGE SYSTEM INSTL			
SHEET:	ITEM/PART NO:	REV	
1 OF 4	000046275 / 32117401000		
REF:		1 17-Aug-2018	

X-X
FOR
DRAINAGE
CALLOUTS
SEE DWG NO.
000211962 /
303370-01-000



DESCRIPTION:		
DRAINAGE SYSTEM INSTL		
SHEET:	ITEM/PART NO.:	REV
2 OF 4	000046275 / 32117401000	
		17-Aug-2018



TOILET-AM,LOW,HAND FLUSH
000039175 / 318985-01-CHT

SINK-LAVATORY, OVAL, 14X17
000026369 / 315733-01-CHT

STRAINER ASM-PLASTIC
106116-01-CHT

SHOWER
000039981 / 319215-01-000
STRAINER W/RUBBER WASHER
066440-01-000
ADAPTER-ANGLE, WATERLESS TRAP
165406-02-000

TRAP-WATERLESS, 1-1/2
165406-01-000

ADAPTER
000029875 / 316554-01-000

FILTER IN-LINE
152925-01-CHT

PUMP-WATER, W/BYPASS
178763-01-000

ELBOW
000029865 / 316549-01-000

PANEL-WATER PUMP
149477-04-CHT
FOAM
140364-01-CHT
BRACKET-PUMP, WATER
000170161 / 330930-01-CHT
BRACKET-PUMP, WATER, ANGLE
000040204 / 319303-01-CHT
SCREW
000G39-08-16U (5)
000G39-08-08U (6)
000G39-08-24U (4)

TUBING-FLEX 1/2" I.D. 5/8" O.D.
112176-01-000
(720)

STRAP-CONDUIT
008406-01-000

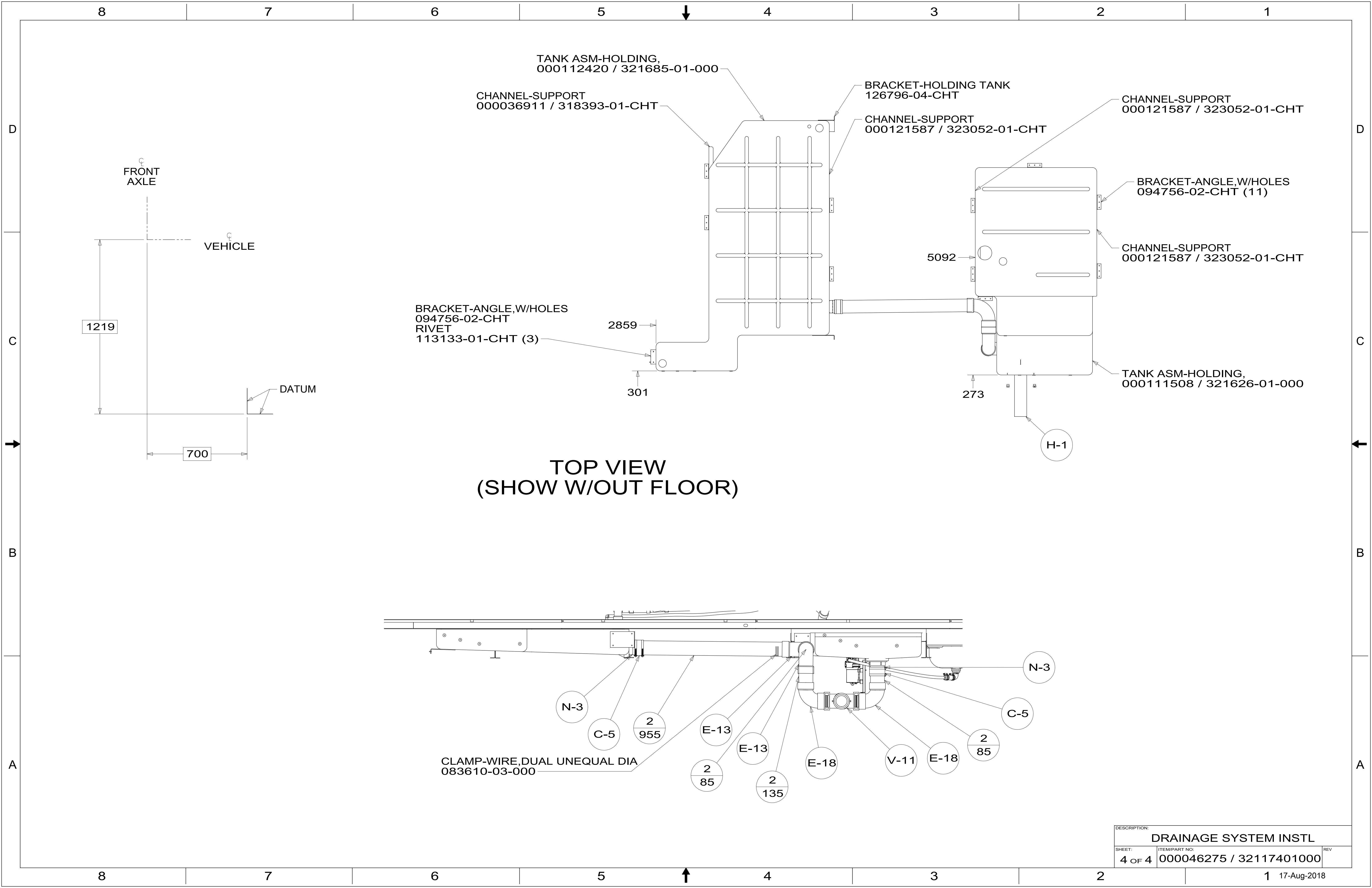
TUBING-FLEX X 1/2" ID, 5/8" OD
112176-01-000
(1800)

ELBOW
000029899 / 316566-01-000
TUBE 1/2" I.D. (BLUE)
124188-01-000
(40)
ADAPTER
000029872 / 316551-01-000

DETAIL CA
(SHOWN W/OUT CABINETS AND FLOOR)

DETAIL CB
(SHOWN W/OUT CABINETS,
FLOOR, AND SHOWER)

DESCRIPTION: DRAINAGE SYSTEM INSTL		
SHEET: 3 OF 4	ITEM/PART NO.:	REV
	000046275 / 32117401000	



**TOP VIEW
(SHOW W/OUT FLOOR)**

TANK ASM-HOLDING,
000112420 / 321685-01-000

CHANNEL-SUPPORT
000036911 / 318393-01-CHT

BRACKET-HOLDING TANK
126796-04-CHT

CHANNEL-SUPPORT
000121587 / 323052-01-CHT

CHANNEL-SUPPORT
000121587 / 323052-01-CHT

BRACKET-ANGLE,W/HOLES
094756-02-CHT (11)

CHANNEL-SUPPORT
000121587 / 323052-01-CHT

TANK ASM-HOLDING,
000111508 / 321626-01-000

BRACKET-ANGLE,W/HOLES
094756-02-CHT
RIVET
113133-01-CHT (3)

5092

273

H-1

2859

301

FRONT AXLE

VEHICLE

1219

700

DATUM

CLAMP-WIRE,DUAL UNEQUAL DIA
083610-03-000

N-3

C-5

2
955

E-13

E-13

E-18

V-11

E-18

2
85

2
85

2
135

N-3

C-5

DESCRIPTION: DRAINAGE SYSTEM INSTL		
SHEET: 4 OF 4	ITEM/PART NO: 000046275 / 32117401000	REV
		1 17-Aug-2018