

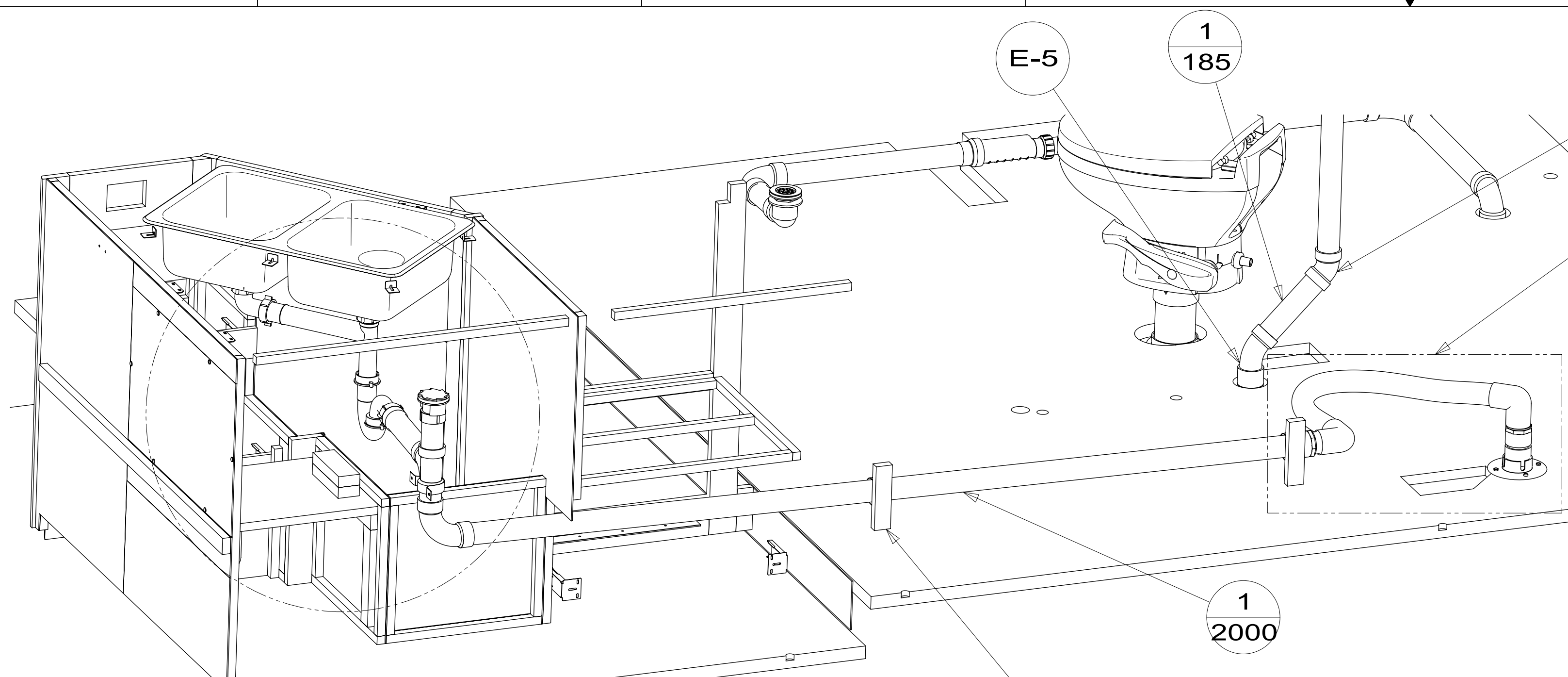
- 13. APPLY 1/4" BEAD OF SILICONE (131264-05-CHT) TO FLANGE BEFORE INSTALLATION AND THEN CAP SEAL SINK/CORIAN COUNTER TOP WITH SILICONE (131264-05-CHT).
- 12. APPLY PRIMER 126427-02-000 AND CEMENT 126427-01-000 BETWEEN ELBOW AND FLEX PIPE.
- 11. PREP THE SURFACE PER MANUFACTURERS INSTRUCTIONS BEFORE APPLYING THE HEATING PAD.
- 10. SEE WIRING INSTL-BODY FOR ELECTRICAL CONNECTION.
- 9. SEE DRAWING 061607 FOR INSTALLATION OF GROMMETS.
- 8. SECURE DRAINAGE PIPES TO CABINET USING WIRE TIE 108046-02-000, AND SCREW 000G67-10-12U AT INTERVALS OF NOT OF NOT MORE THAN 4 FEET APART.
- 7. SECURE VENT PIPE TO FLOOR WITH CLAMP 000156237 / 326663-02-000 (2), SCREW 000G67-10-12U (2), BRACKET 136878-01-CHT (2).
- 6. VENT PIPE MUST PROJECT 51 MIN AND 64 MAX ABOVE ROOF FOR PROPER FIT AND FUNCTION. ADD S-1 (000156099 / 326607-01-CHT SEAL-VENT PIPE) AROUND PIPE ON ROOF BEFORE VENT CAP IS INSTALLED.
- 5. SEAL AROUND SHOWER WITH SILICONE.
- 4. USE SMOOTH PLUMBERS PUTTY 167459-01-000 TO SEAL STRAINER (0.2 PER STRAINER).
- 3. ALL PIPE AND FITTINGS TO BE ASSEMBLED WITH SOLVENT 004020-01-000 (USA), 004020-02-000 (CAN)
- 2. SLOPE OF TRAP ARM MUST BE 6 PER 305 mm.
- 1. SLOPE OF HORIZONTAL PIPING TO BE MINIMUM OF 3 PER 305 mm.

- 65Q RENTAL - APOLLO
- 09A PREMIUM PACKAGE
- 093 PREMIUM PACKAGE WITHOUT
- 265 CODES/STANDARDS-CSA/CMVSS
- 23T DRAINAGE SYSTEM-HEATED
- 1B1 CODES/STANDARDS USA

WINNEBAGO
COPYRIGHT 2018 WINNEBAGO INDUSTRIES, INC.

| | | | |
|--|--------------------------------|-----------------------------------|-------------------|
| DSNR: | | ALL DIMENSIONS ARE IN MILLIMETERS | |
| DIFTR: | | | |
| UNSPECIFIED TOLERANCES: | | MATERIAL: | |
| WHOLE DIM (X) | 3 | | |
| ONE-PLACE (X.X) | 1.5 | | |
| TWO-PLACE (X.XX) | 0.50 | | |
| ANGLE | 1° | | |
| REFER TO ES0018 FOR FASTENER TIGHTENING GUIDELINES | | WEIGHT: (LBS) | FIRST USED: (REF) |
| | | | 18 331G |
| DESCRIPTION: | | | |
| DRAINAGE SYSTEM INSTL | | | |
| SHEET: | ITEM/PART NO.: | REV | |
| 1 OF 4 | 000046114 / 32114601000 | | |
| REF: | | | |

X-X
FOR DRAINAGE CALLOUTS SEE DWG NO. 000211962 / 303370-01-000

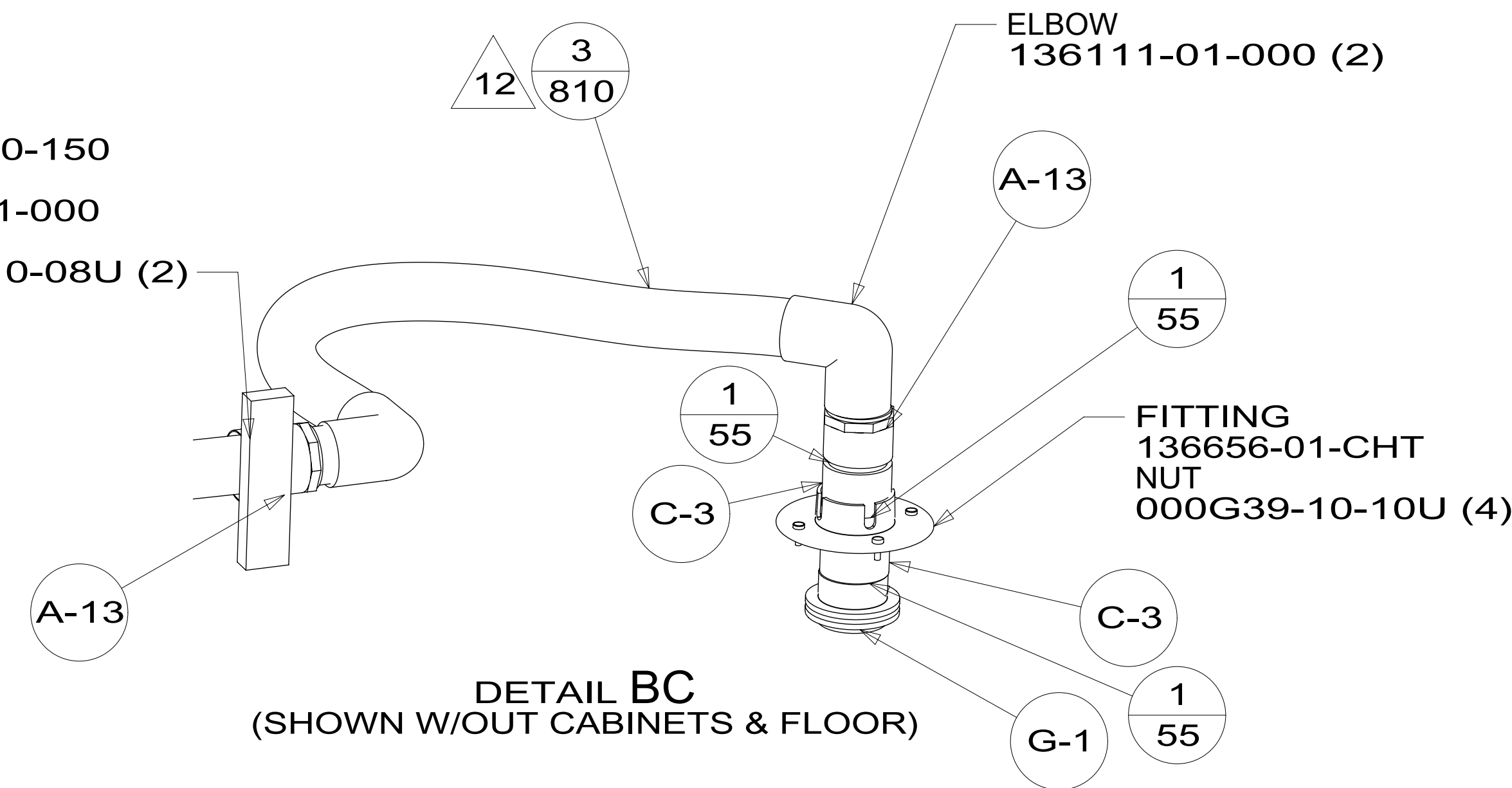


VIEW BA

LUMBER
052372-D0-150
STRAP
008406-01-000
SCREW
000G67-10-08U (2)

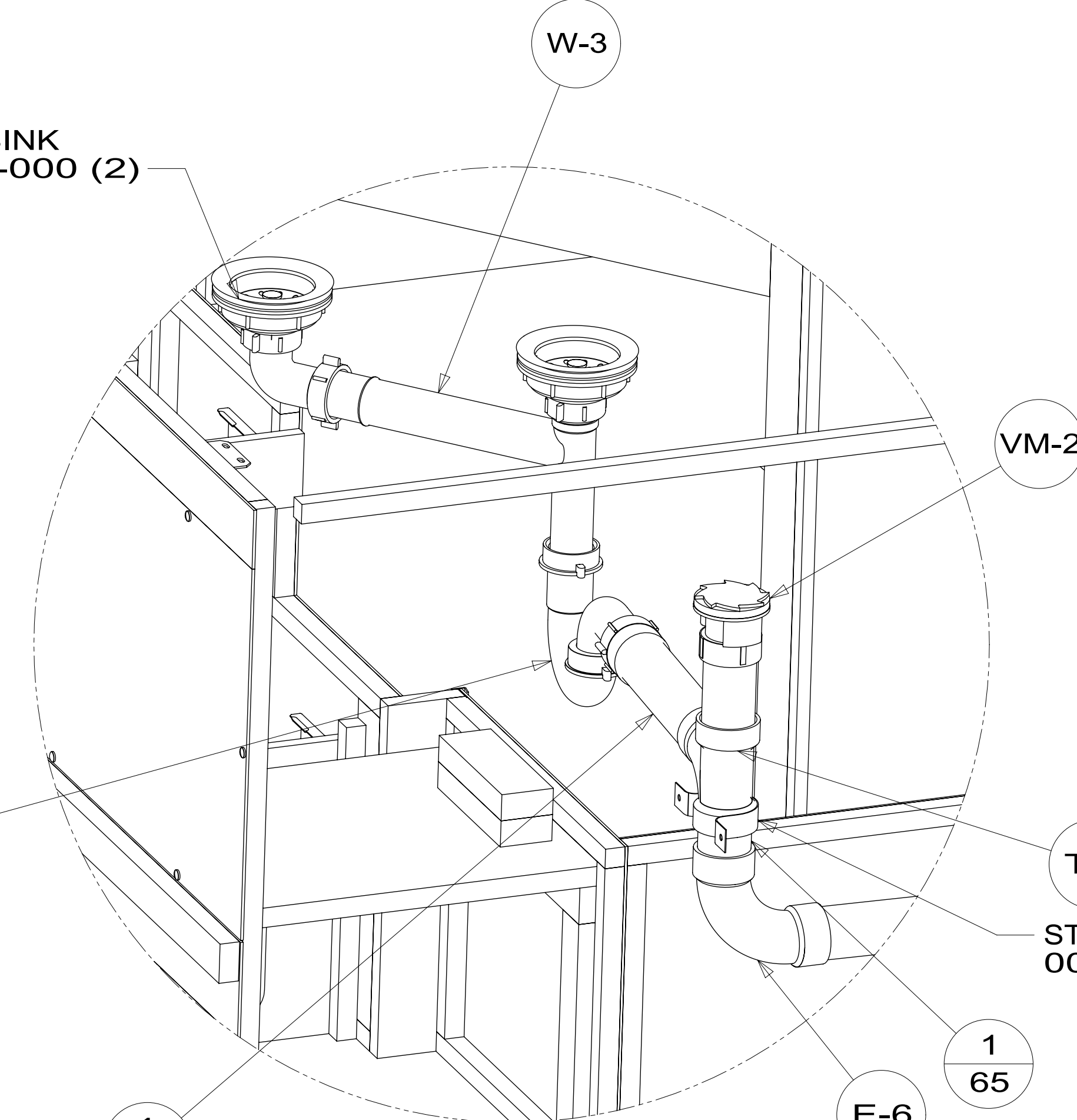
DETAIL BC

LUMBER
052372-D0-150
STRAP
008406-01-000
SCREW
000G67-10-08U (2)



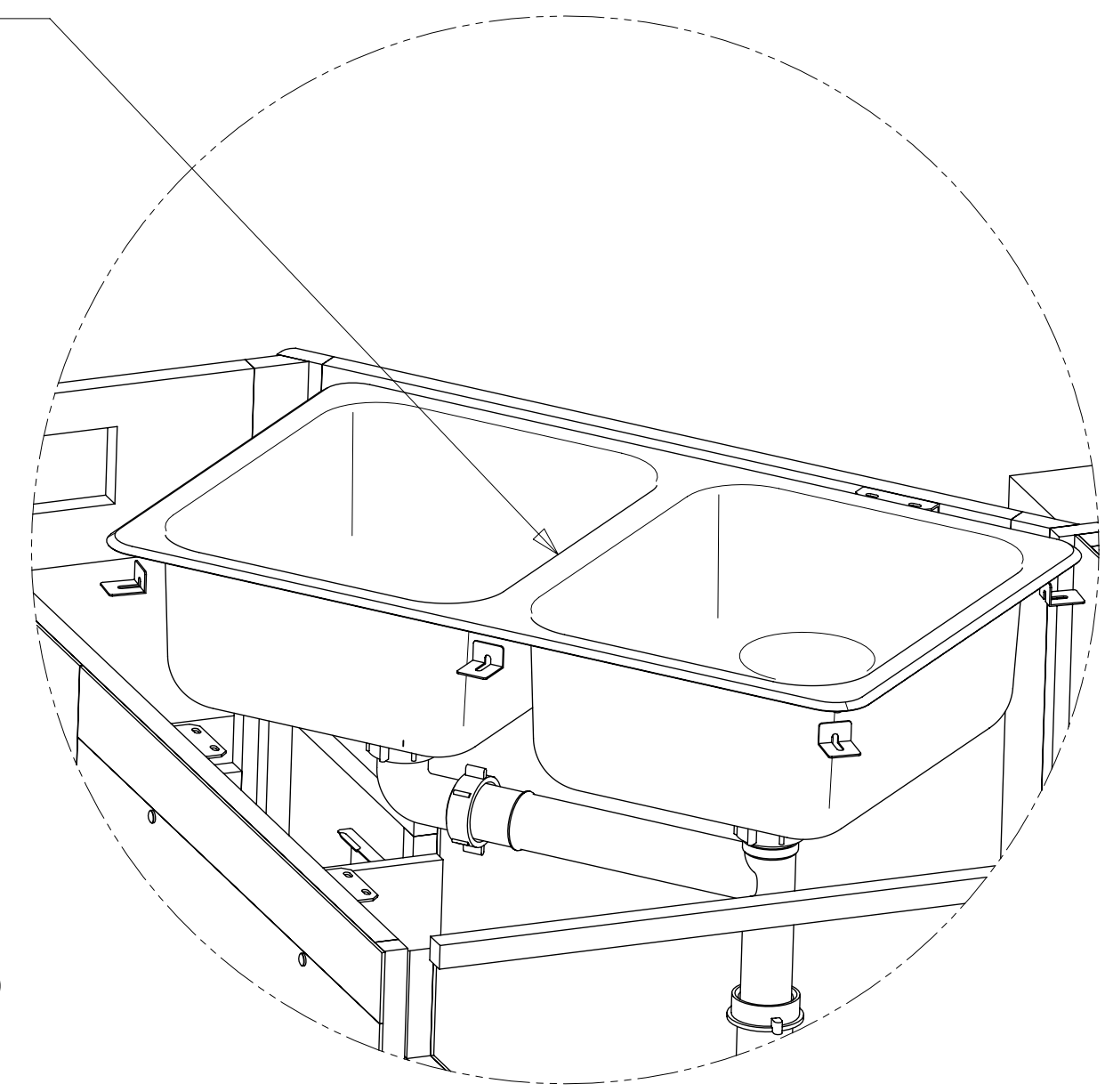
DETAIL BC
(SHOWN W/OUT CABINETS & FLOOR)

4 STRAINER-SINK
092303-01-000 (2)



DETAIL CH
(SHOWN W/OUT SINK-GALLEY)

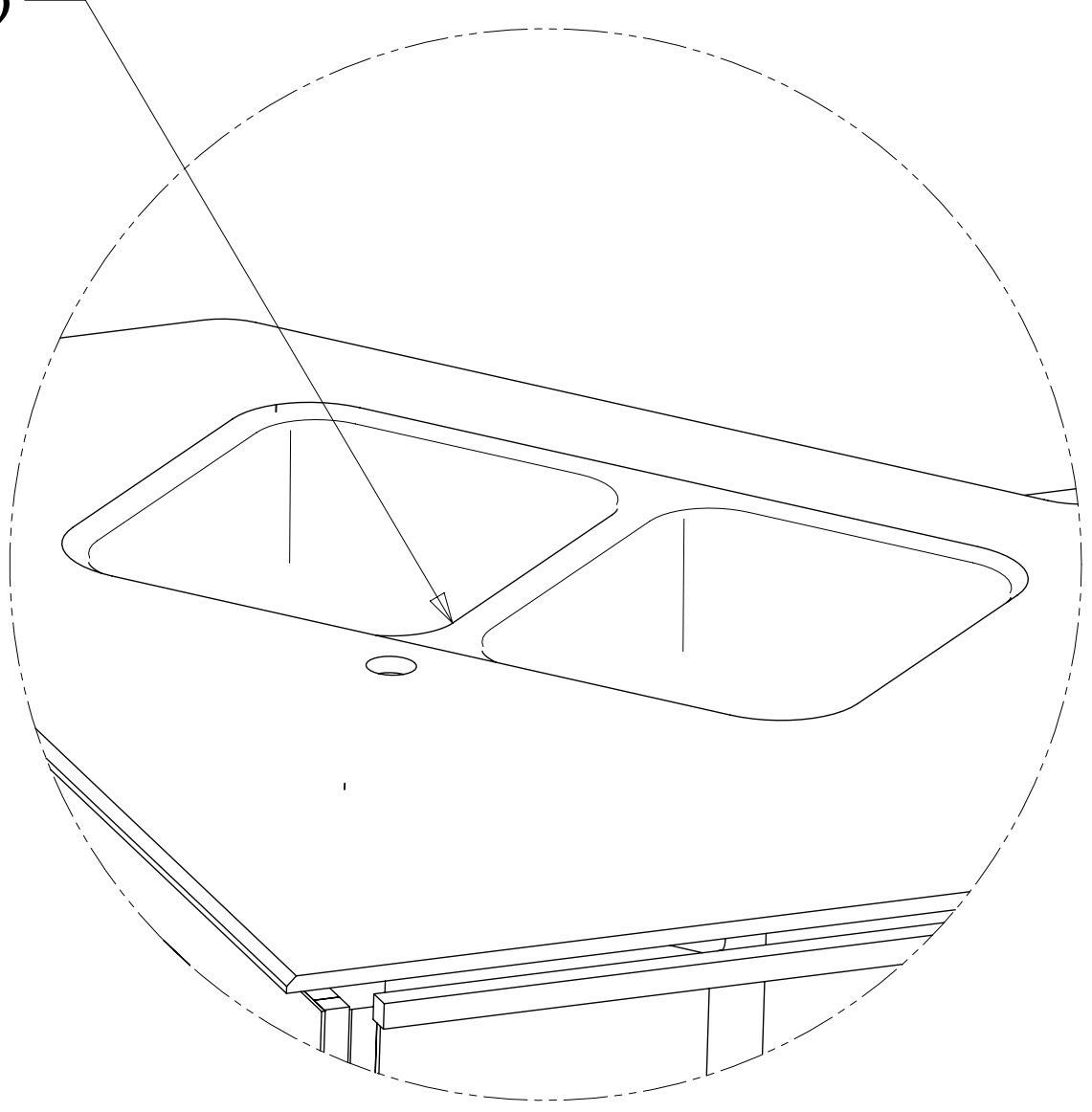
SINK-GALLEY, DBL, 15X25X5
000013705 / 311763-01-CHT
SEAL
091255-03-000
(2130)



DETAIL BB
(DROP-IN SINK)

093

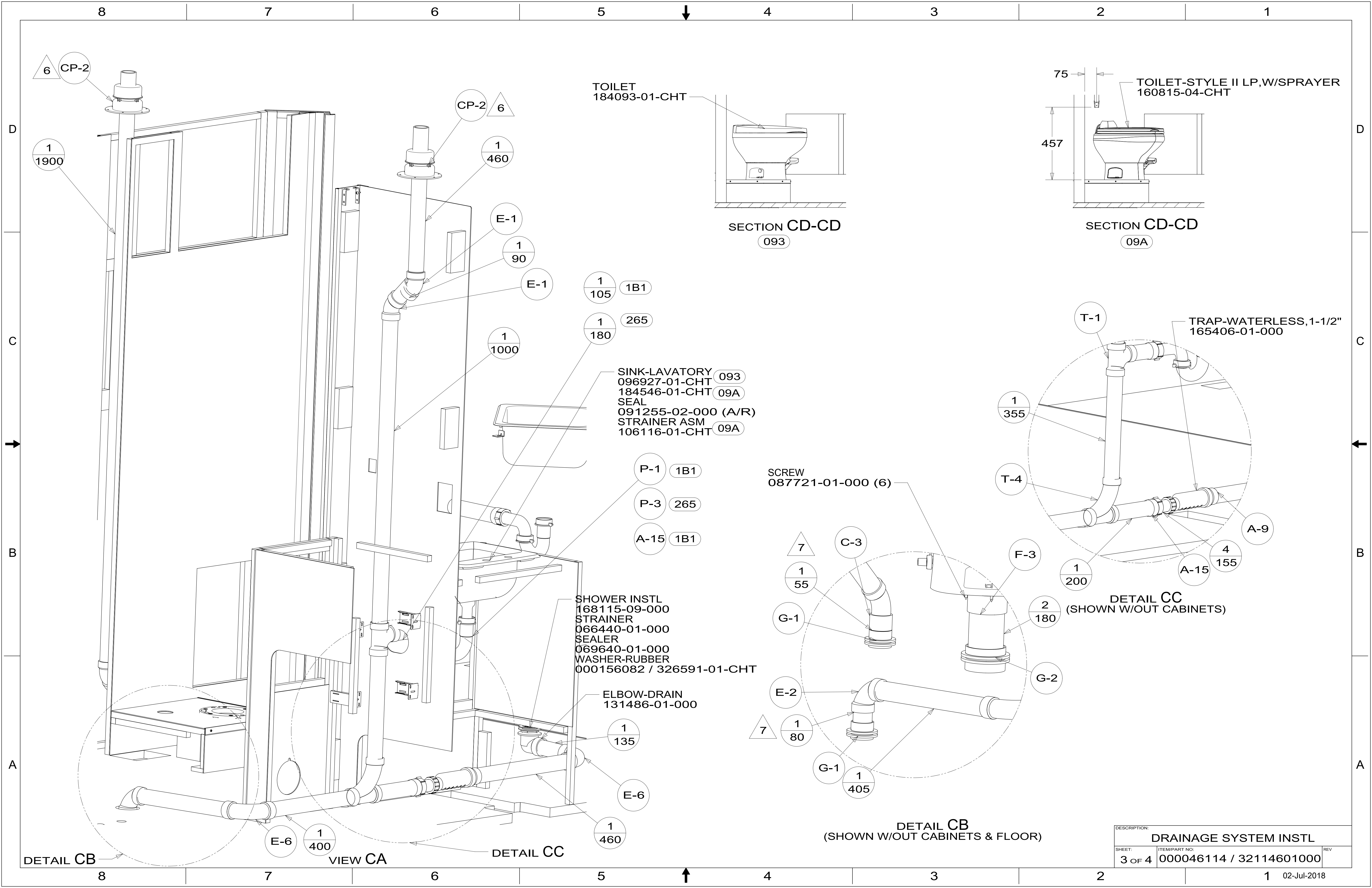
13 SINK-GALLEY
000013705 / 311763-01-CHT
ANGLE-FORMED
140002-01-CHT (8)



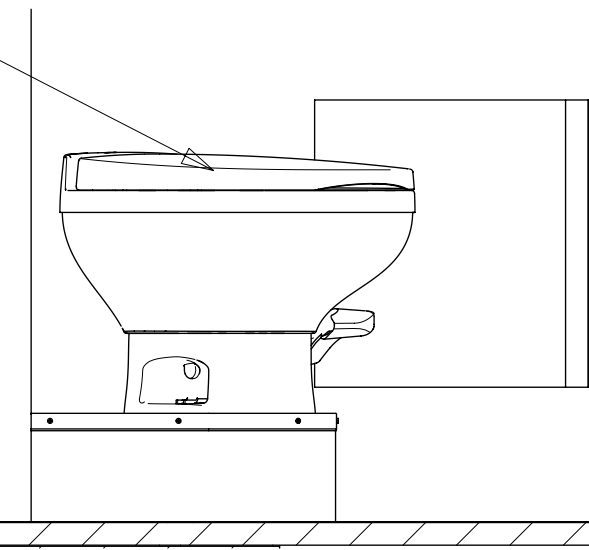
DETAIL BB
(UNDERMOUNT SINK)

09A

| | | |
|--|--|-----|
| DESCRIPTION: DRAINAGE SYSTEM INSTL | | |
| SHEET: 2 OF 4 | ITEM/PART NO: 000046114 / 32114601000 | REV |

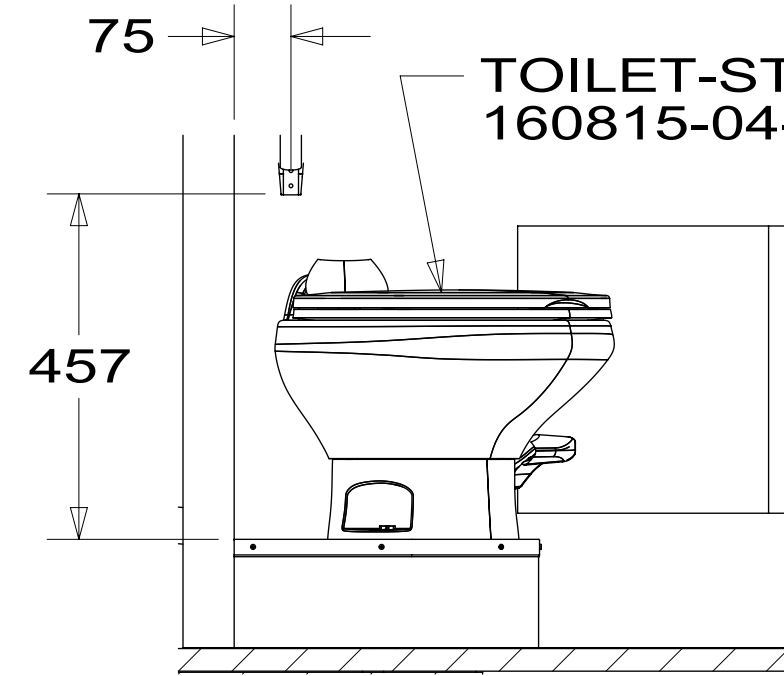


TOILET
184093-01-CHT



SECTION CD-CD
093

TOILET-STYLE II LP, W/SPRAYER
160815-04-CHT



SECTION CD-CD
09A

SINK-LAVATORY
096927-01-CHT 093
184546-01-CHT 09A
SEAL
091255-02-000 (A/R)
STRAINER ASM
106116-01-CHT 09A

SHOWER INSTL
168115-09-000
STRAINER
066440-01-000
SEALER
069640-01-000
WASHER-RUBBER
000156082 / 326591-01-CHT

ELBOW-DRAIN
131486-01-000

SCREW
087721-01-000 (6)

TRAP-WATERLESS, 1-1/2"
165406-01-000

DETAIL CC
(SHOWN W/OUT CABINETS)

DETAIL CB
(SHOWN W/OUT CABINETS & FLOOR)

| | | |
|--|--|-----|
| DESCRIPTION: DRAINAGE SYSTEM INSTL | | |
| SHEET: 3 OF 4 | ITEM/PART NO: 000046114 / 32114601000 | REV |

8 7 6 5 4 3 2 1

FRONT AXLE

VEHICLE

1222

1498

DATUM

TANK ASM-HOLDING
000158895 / 327496-01-000

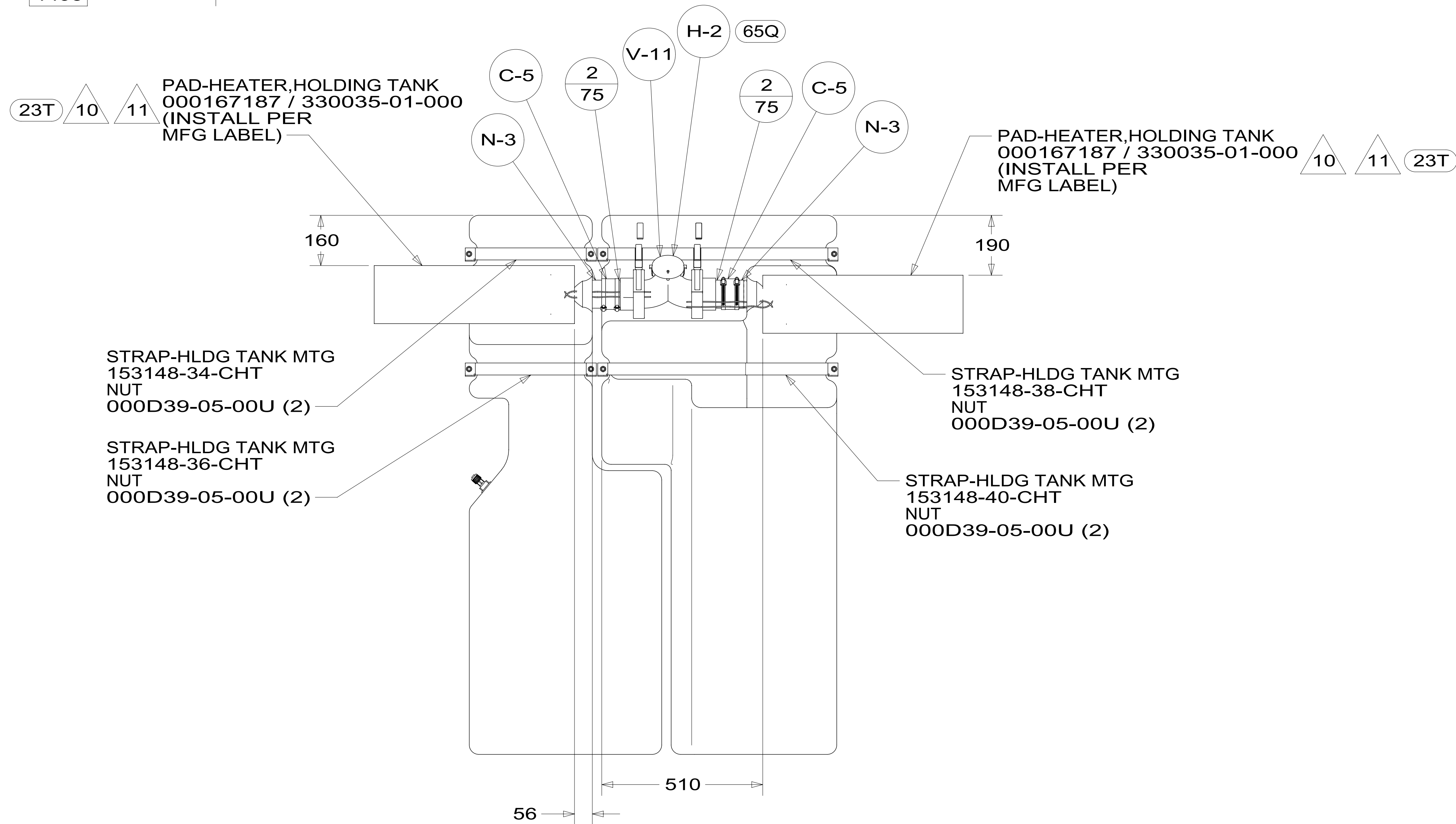
5083

4663

34 (2)

TANK-HOLDING
193389-03-000

TOP VIEW SHOWING ONLY DRAINS AND TANKS



BOTTOM VIEW SHOWING ONLY DRAINS AND TANKS

| | | |
|---------------------------------------|--|-----|
| DESCRIPTION: DRAINAGE SYSTEM INSTL | | |
| SHEET: 4 OF 4 | ITEM/PART NO: 000046114 / 32114601000 | REV |

8 7 6 5 4 3 2 1 02-Jul-2018