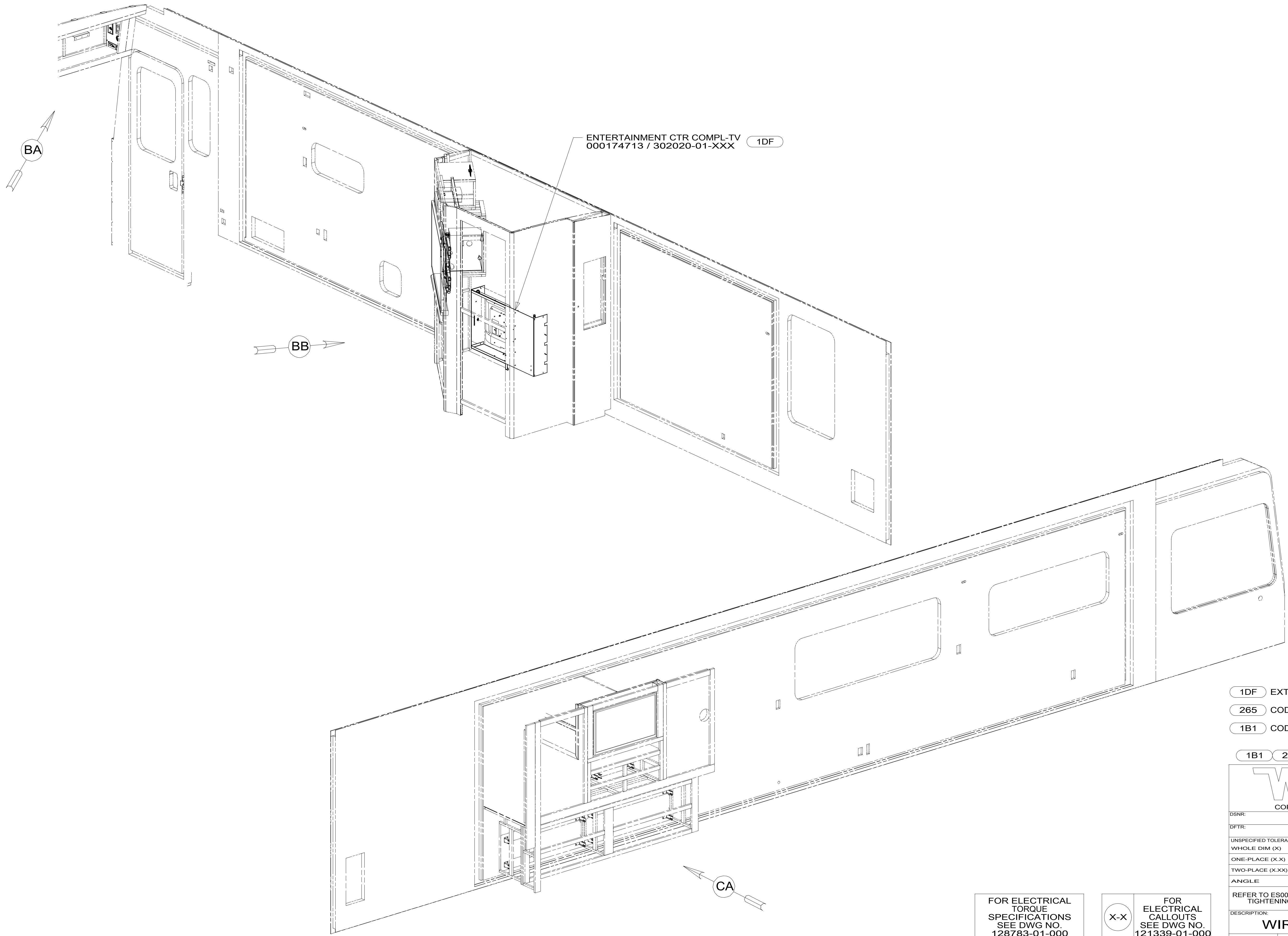


8 7 6 5 4 3 2 1

D
C
B
A

D
C
B
A



ENTERTAINMENT CTR COMPL-TV
000174713 / 302020-01-XXX 1DF

- 1DF EXT TV ENTERTAINMENT CENTER
- 265 CODES/STANDARDS-CSA/CMVSS
- 1B1 CODES/STANDARDS USA

1B1 265



DSNR:		ALL DIMENSIONS ARE IN MILLIMETERS	
DIFTR:		MATERIAL:	
UNSPECIFIED TOLERANCES:			
WHOLE DIM (X)	: 3		
ONE-PLACE (X.X)	: 1.5		
TWO-PLACE (X.XX)	: 0.50		
ANGLE	: 1°		
REFER TO ES0018 FOR FASTENER TIGHTENING GUIDELINES		WEIGHT: (LBS)	FIRST USED:
			18 L38F

FOR ELECTRICAL TORQUE SPECIFICATIONS SEE DWG NO. 128783-01-000

FOR ELECTRICAL CALLOUTS SEE DWG NO. 121339-01-000

DESCRIPTION: **WIRING INSTL-A/V, COACH**

SHEET: 1 OF 4 ITEM/PART NO: 000045772 / 32106101000 REF: 1 07-Nov-2018

8 7 6 5 4 3 2 1

DVD PLAYER
302822-01-000
FASTENER-DUAL LOCK
85774-01-000 (200 MM)
85774-02-000 (200 MM)

PLATE-WALL
149557-10-CHT
SCREW
G67-10-08U (2)

BOLT-HOOD ADJUSTING
058786-01-000 (2)
NUT
D39-05-00U (2)

TV-50" FLAT
PANEL ELED, HDTV
194671-01-000
BRACKET-MOUNT, TV
195253-01-CHT
SCREW
G11-08-12U (4)
PLATE ASM-MOUNTIN, TV
302680-01-CHT
SCREW
G39-10-12U (4)

SPEAKER-SOUNDBAR, WIRELESS SUB, SAMSUNG
000170008 / 330888-01-000
FASTENER-DUAL LOCK
85774-01-000 (50 MM) (2)
85774-02-000 (50 MM) (2)

783&45B BRACKET-ANTENNA, SATELLITE
000023112 / 314657-01-CHT
SCREW
000G39-08-12U (2)

PLATE-WALL,
POWER SUPPLY
179004-02-CHT

RCP-2 (PUR)
OVHD FRONT

PANEL ASM
155127-35-XXX ← 783 45D
155127-36-XXX ← 78C 45D
000007511 / 310614-01-XXX ← 45B

GROMMET-EDGE LINER
114208-05-000

CONTROL-INTERIOR
183415-05-000
FASTENER-DUAL LOCK
85774-01-000 (200 MM)
85774-02-000 (200 MM)

VIEW BA

CLAMP
10497-03-000 (2)
SCREW
G39-08-12U (2)

BRACKET-TV SWING MOUNT
179241-04-CHT
SCREW
G42-04-16U (8)

COVER-WIRE
176981-01-CHT

183

VIEW BC

VIEW BB

- 45D LOFT BED - WITHOUT
- 45B LOFT BED
- 78C SATELLITE SYSTEM READY
- 783 SATELLITE HD TV SYSTEM AUTOC
- 265 CODES/STANDARDS-CSA/CMVSS
- 1B1 CODES/STANDARDS USA

2 USE TIE-WIRE 8343-01 TO SUPPORT WIRE HERE.

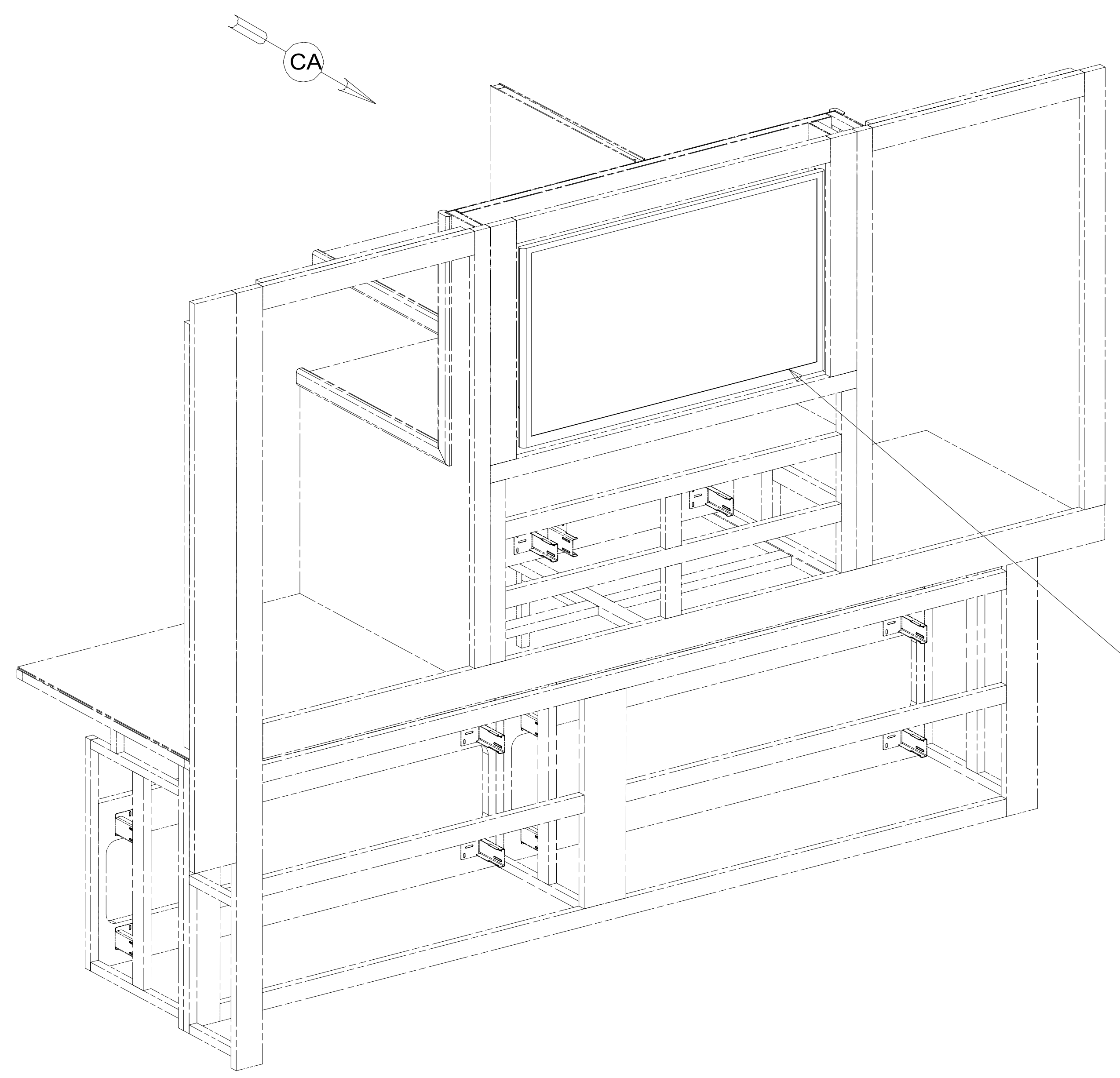
1 INTERIOR CONTROL CONNECTS TO SATELLITE DATA CABLE.
SEE ROOF ASM FOR ADDITIONAL INFORMATION.

FOR ELECTRICAL
TORQUE
SPECIFICATIONS
SEE DWG NO.
128783-01-000

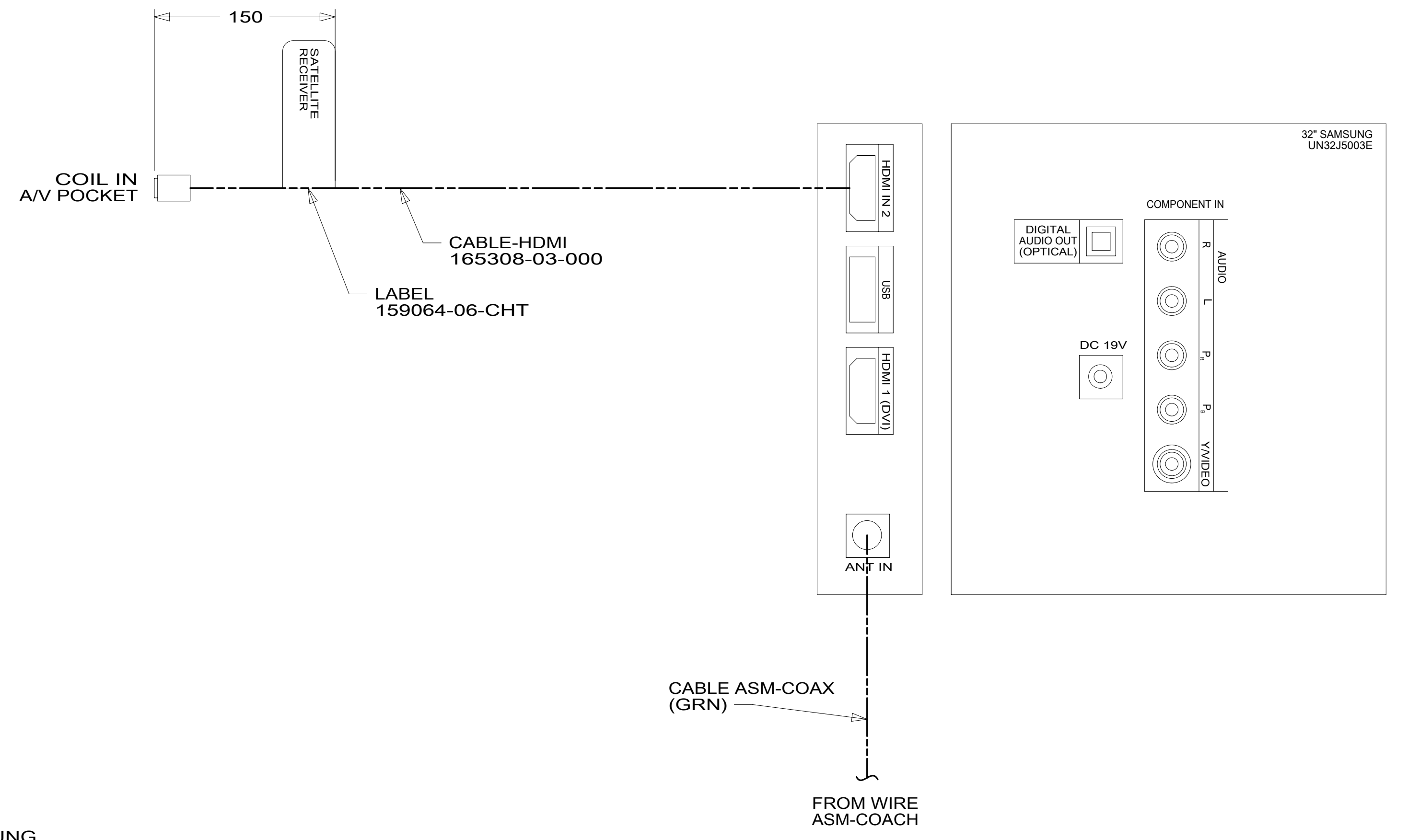
FOR ELECTRICAL
CALLOUTS
SEE DWG NO.
121339-01-000

1B1	265
DESCRIPTION: WIRING INSTL-A/V, COACH	
SHEET: 2 OF 4	ITEM/PART NO: 000045772 / 32106101000
REV	

8 7 6 5 4 3 2 1 07-Nov-2018



TV-32" 1080P, SAMSUNG
 000154928 / 326192-01-000
 SCREW
 0MG02U-04-020 (4)



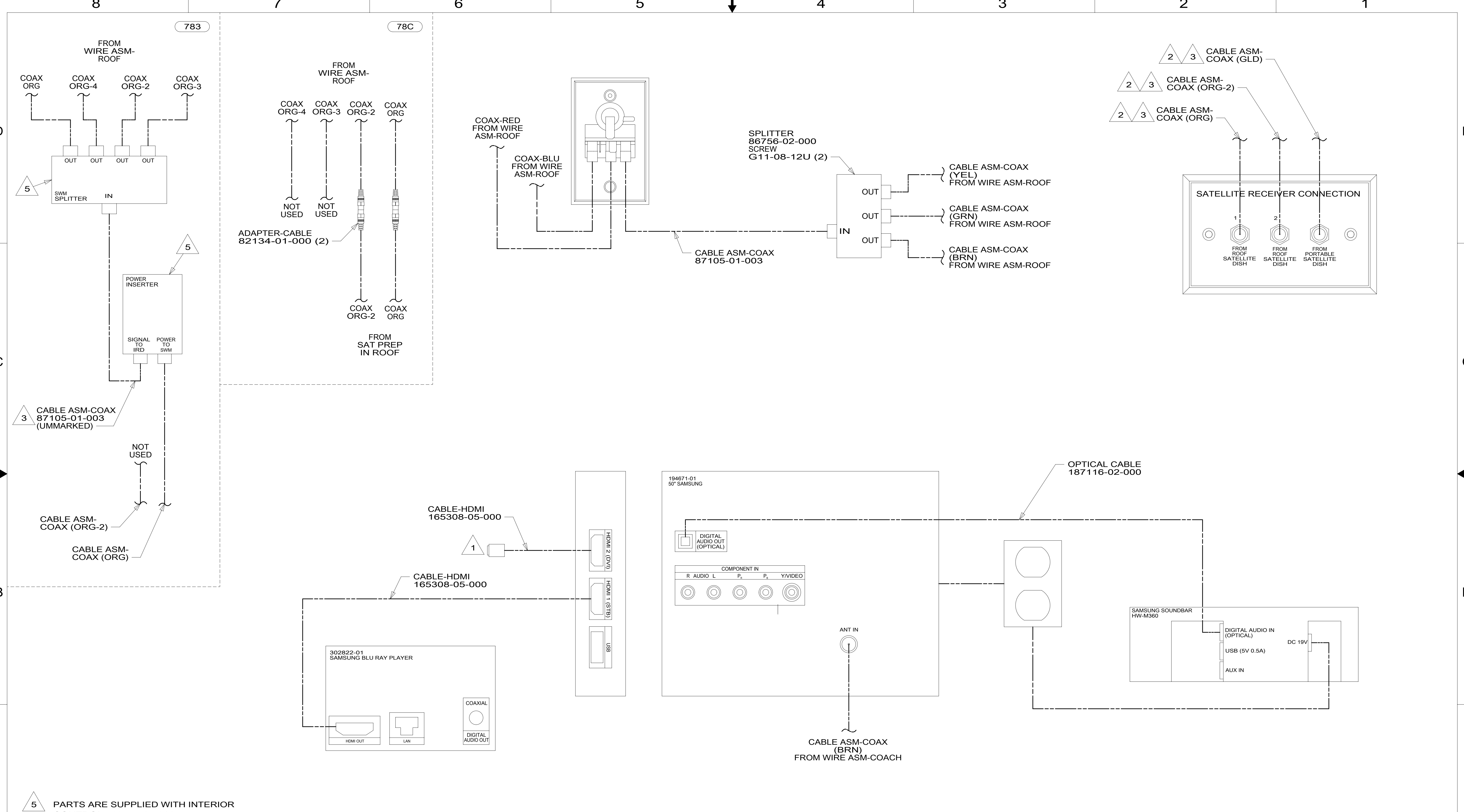
VIEW CA

- 265 CODES/STANDARDS-CSA/CMVSS
- 1B1 CODES/STANDARDS USA

FOR ELECTRICAL
 TORQUE
 SPECIFICATIONS
 SEE DWG NO.
 128783-01-000

FOR
 ELECTRICAL
 CALLOUTS
 SEE DWG NO.
 121339-01-000

DESCRIPTION: WIRING INSTL-A/V, COACH	
SHEET: 3 OF 4	ITEM/PART NO.: 000045772 / 32106101000
REV 1 07-Nov-2018	



- NOTES:**
- 5 PARTS ARE SUPPLIED WITH INTERIOR CONTROL 183415-05-000.
 - 4 CONNECT ANTENNA CABLES TO SOUND BAR AND MOUNT ANTENNA BEHIND FIREPLACE.
 - 3 CABLE ROUTED IN ROOF.
 - 2 CABLE CONNECTS TO REAR SIDE OF PLATE.
 - 1 COIL IN AV PREP SHELF AREA.

VIEW DA

FOR ELECTRICAL TORQUE SPECIFICATIONS SEE DWG NO. 128783-01-000

FOR ELECTRICAL CALLOUTS SEE DWG NO. 121339-01-000

- 783 SATELLITE HD TV SYSTEM AUTOC
- 265 CODES/STANDARDS-CSA/CMVSS
- 1B1 CODES/STANDARDS USA

DESCRIPTION:		
WIRING INSTL-A/V, COACH		
SHEET:	ITEM/PART NO.:	REV:
4 OF 4	000045772 / 32106101000	