

8 7 6 5 4 3 2 1

D

D

C

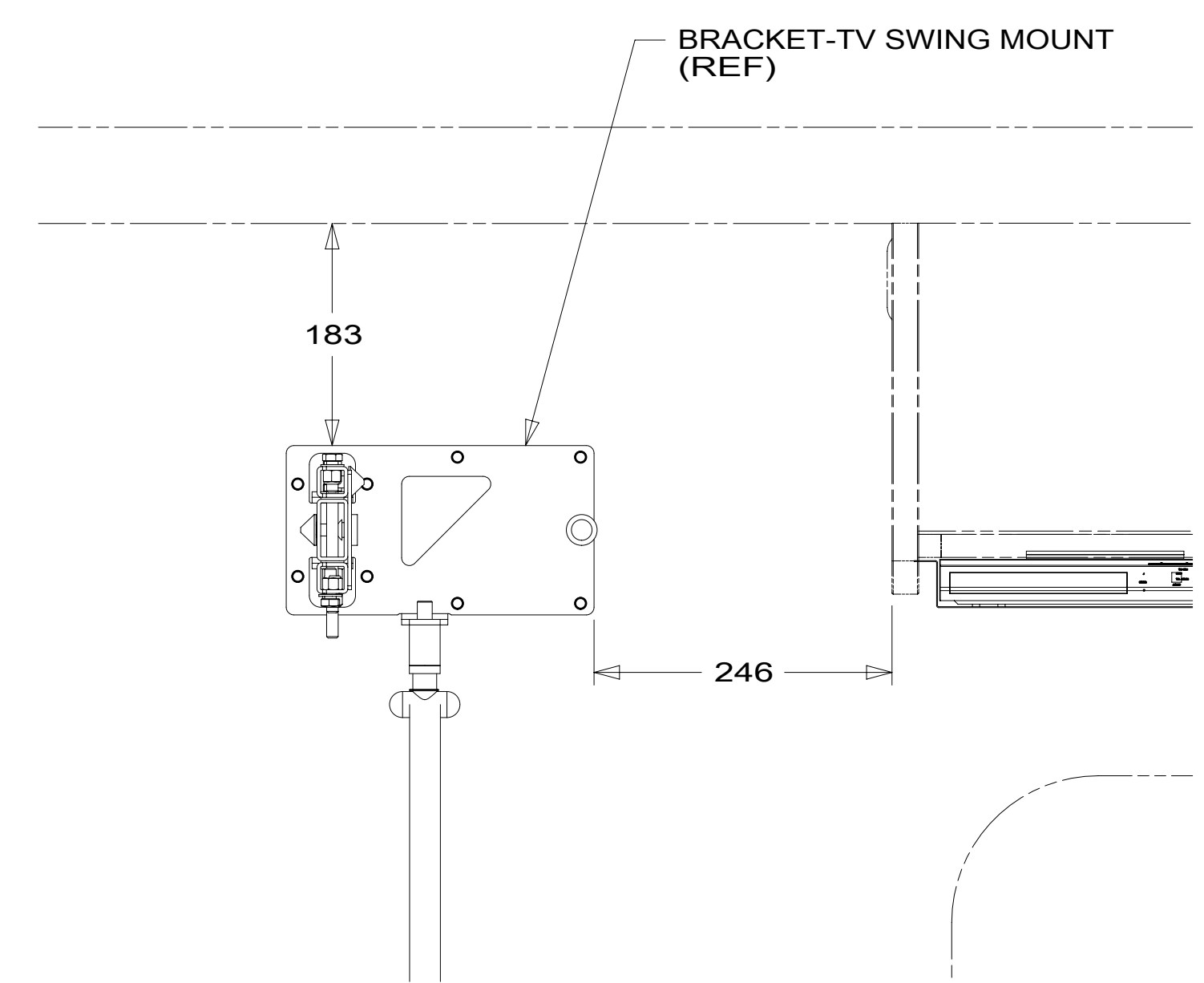
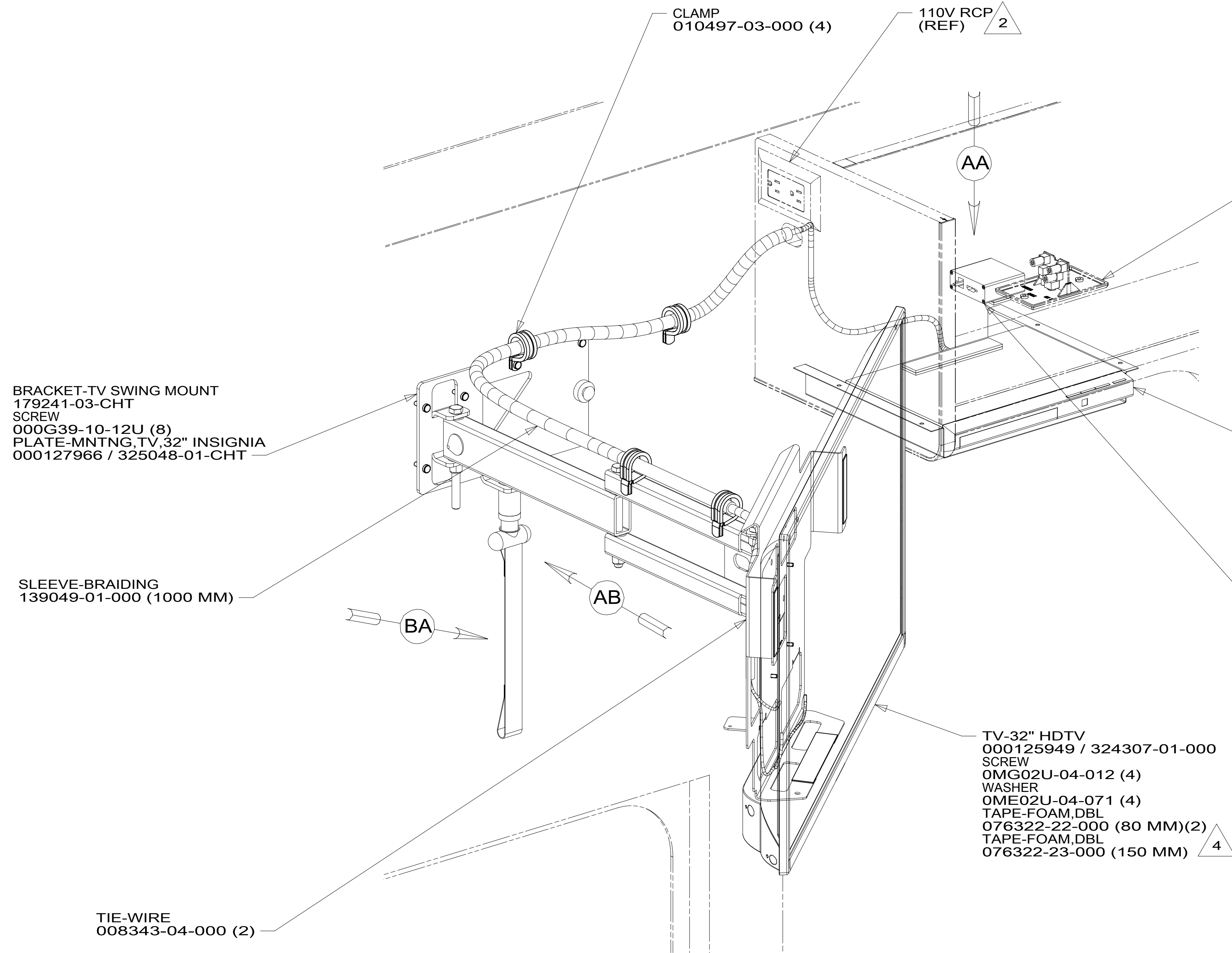
C

B

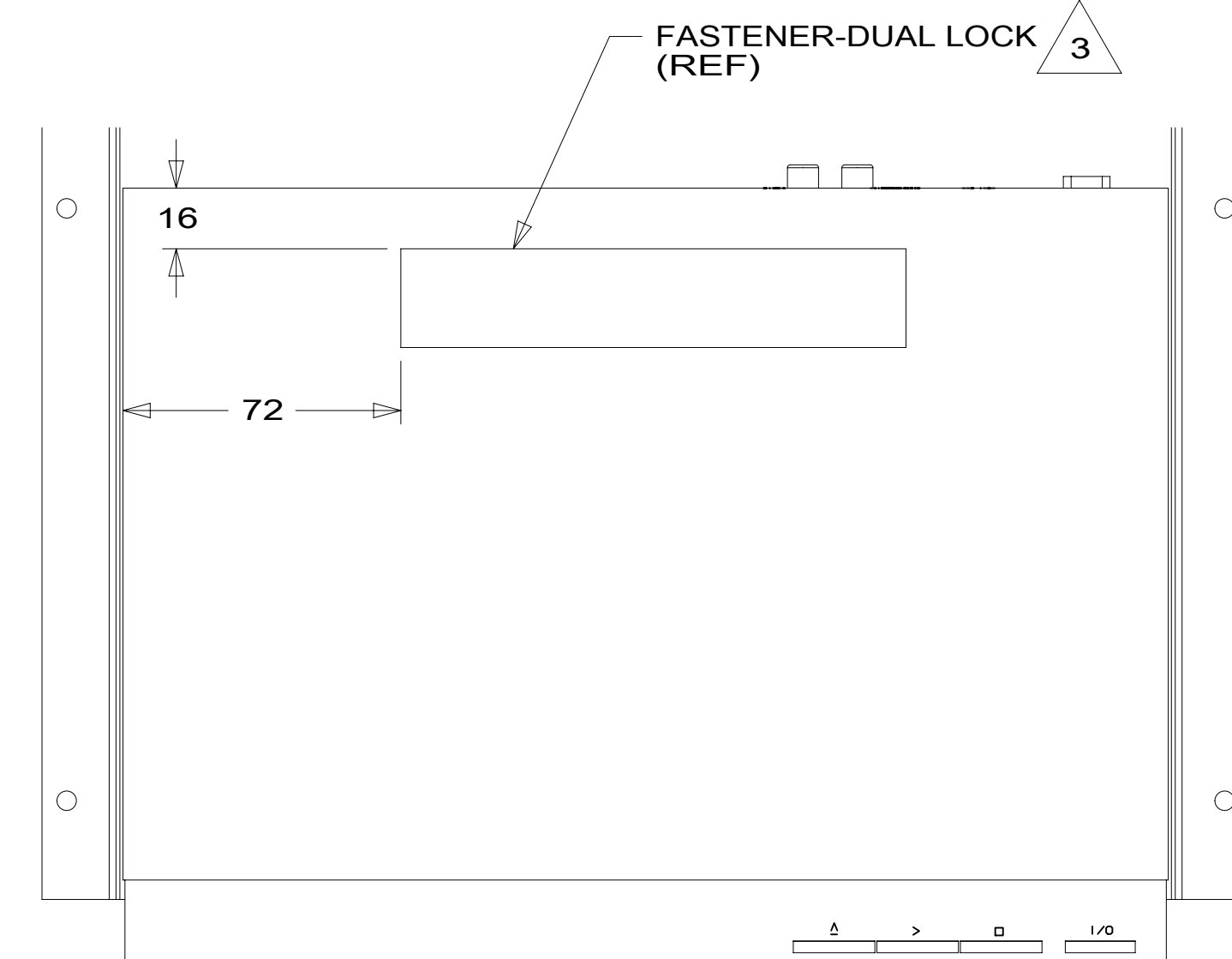
B

A

A



VIEW AB
(TV NOT SHOWN)



VIEW AA

- 5 ATTACH DUAL LOCK TO UNDERSIDE OF SPLITTER AND ATTACH TO WOODEN SUPPORT.
- 4 PREP BOTH SURFACES WITH ADHESIVE-PROMOTER 087211-01-000.
- 3 ATTACH FASTENER-DUAL LOCK TO DVD PLAYER POSITIONED AS SHOWN.
- 2 SEE WIRING INSTL-BODY, 110V FOR ADDITIONAL INFORMATION.
- 1 SEE WIRING INSTL-BODY, 12V FOR ADDITIONAL INFORMATION.

NOTES:

- 68X TV - BEDROOM
- 68R TV - FRONT
- 265 CODES/STANDARDS-CSA/CMVSS
- 1B1 CODES/STANDARDS USA

1B1 265 68R



DSNR:	ALL DIMENSIONS ARE IN MILLIMETERS	
DFFR:	MATERIAL:	
UNSPECIFIED TOLERANCES:		
WHOLE DIM (X)	: 3	
ONE-PLACE (X.X)	: 1.5	
TWO-PLACE (X.XX)	: 0.50	
ANGLE	: 1°	
REFER TO ES0018 FOR FASTENER TIGHTENING GUIDELINES	WEIGHT: (LBS)	FIRST USED:
		18 326A

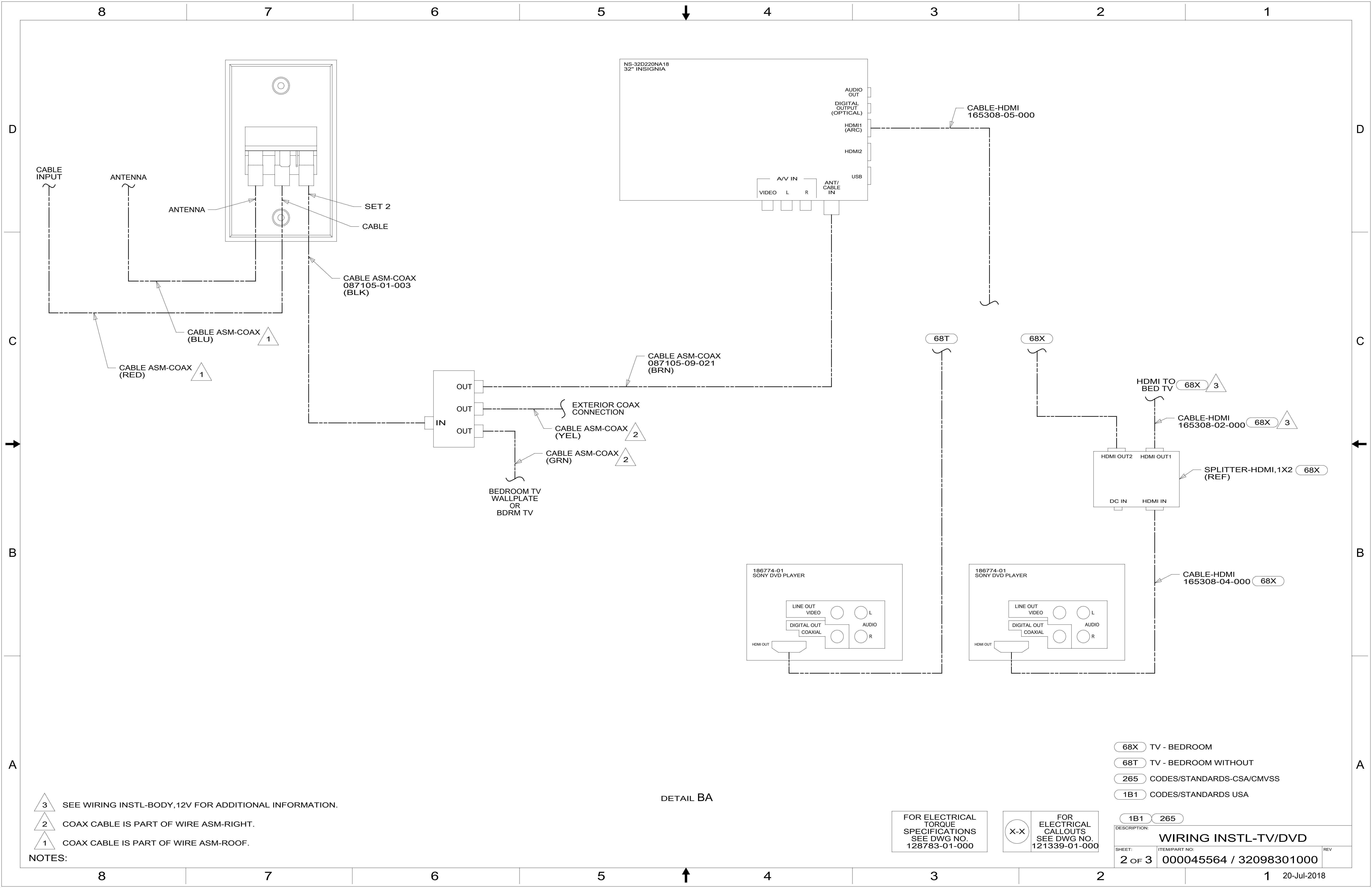
DESCRIPTION:
WIRING INSTL-TV/DVD

SHEET:	ITEM/PART NO.:	REV:
1 OF 3	000045564 / 32098301000	

FOR ELECTRICAL TORQUE SPECIFICATIONS SEE DWG NO. 128783-01-000

FOR ELECTRICAL CALLOUTS SEE DWG NO. 121339-01-000

8 7 6 5 4 3 2 1 20-Jul-2018



- NOTES:
- 3 SEE WIRING INSTL-BODY, 12V FOR ADDITIONAL INFORMATION.
 - 2 COAX CABLE IS PART OF WIRE ASM-RIGHT.
 - 1 COAX CABLE IS PART OF WIRE ASM-ROOF.

DETAIL BA

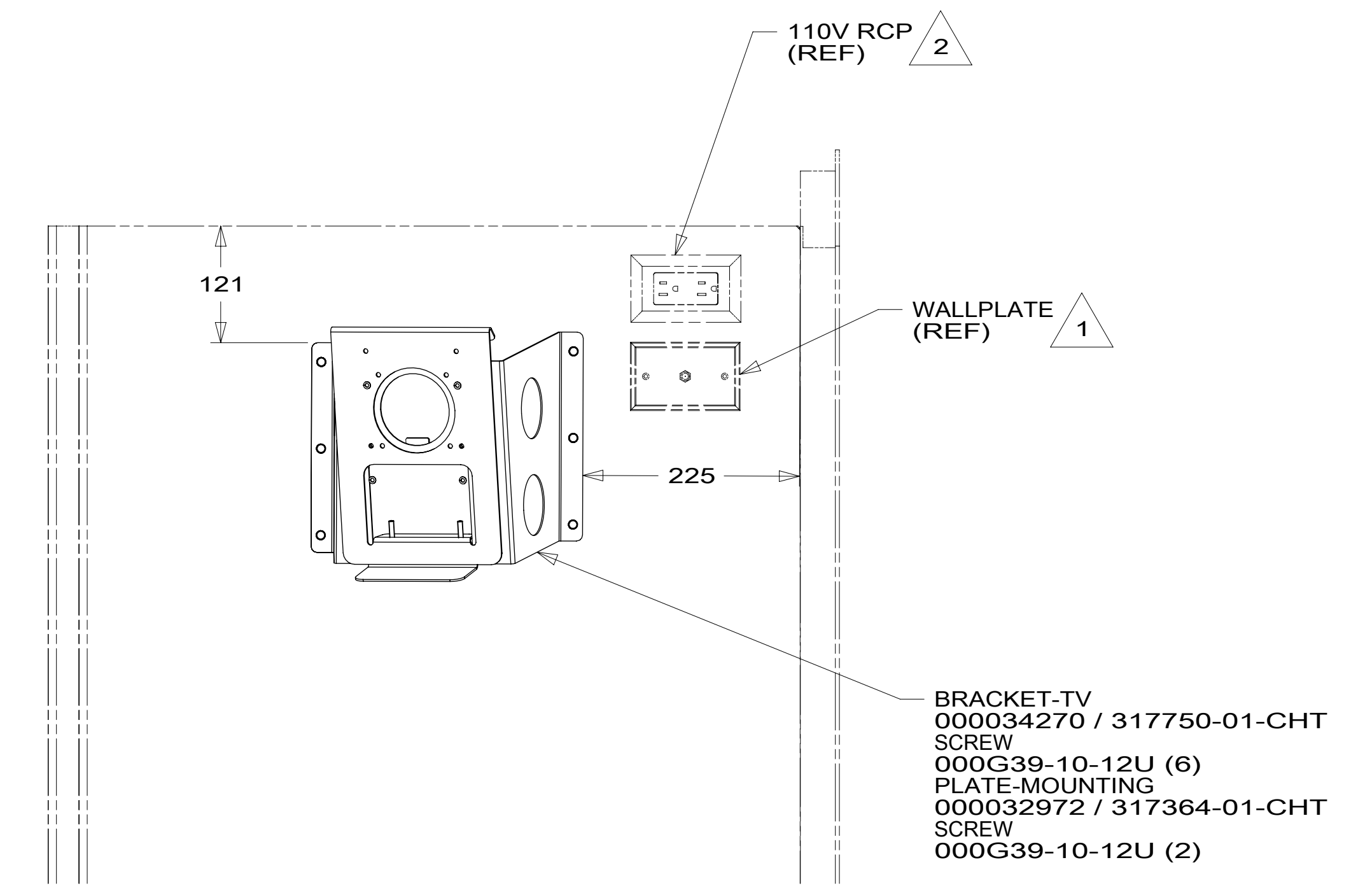
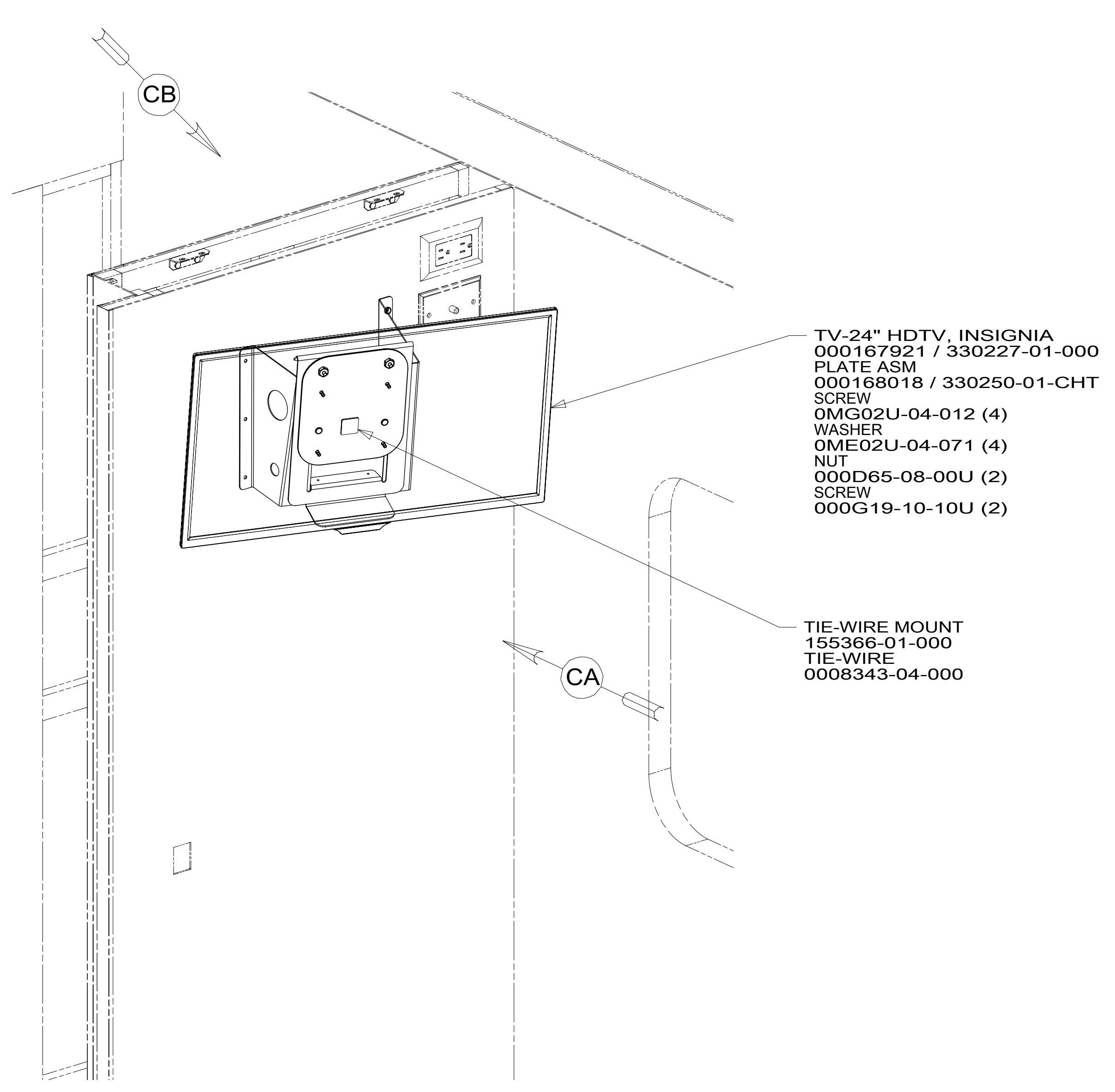
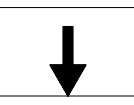
FOR ELECTRICAL TORQUE SPECIFICATIONS SEE DWG NO. 128783-01-000

FOR ELECTRICAL CALLOUTS SEE DWG NO. 121339-01-000

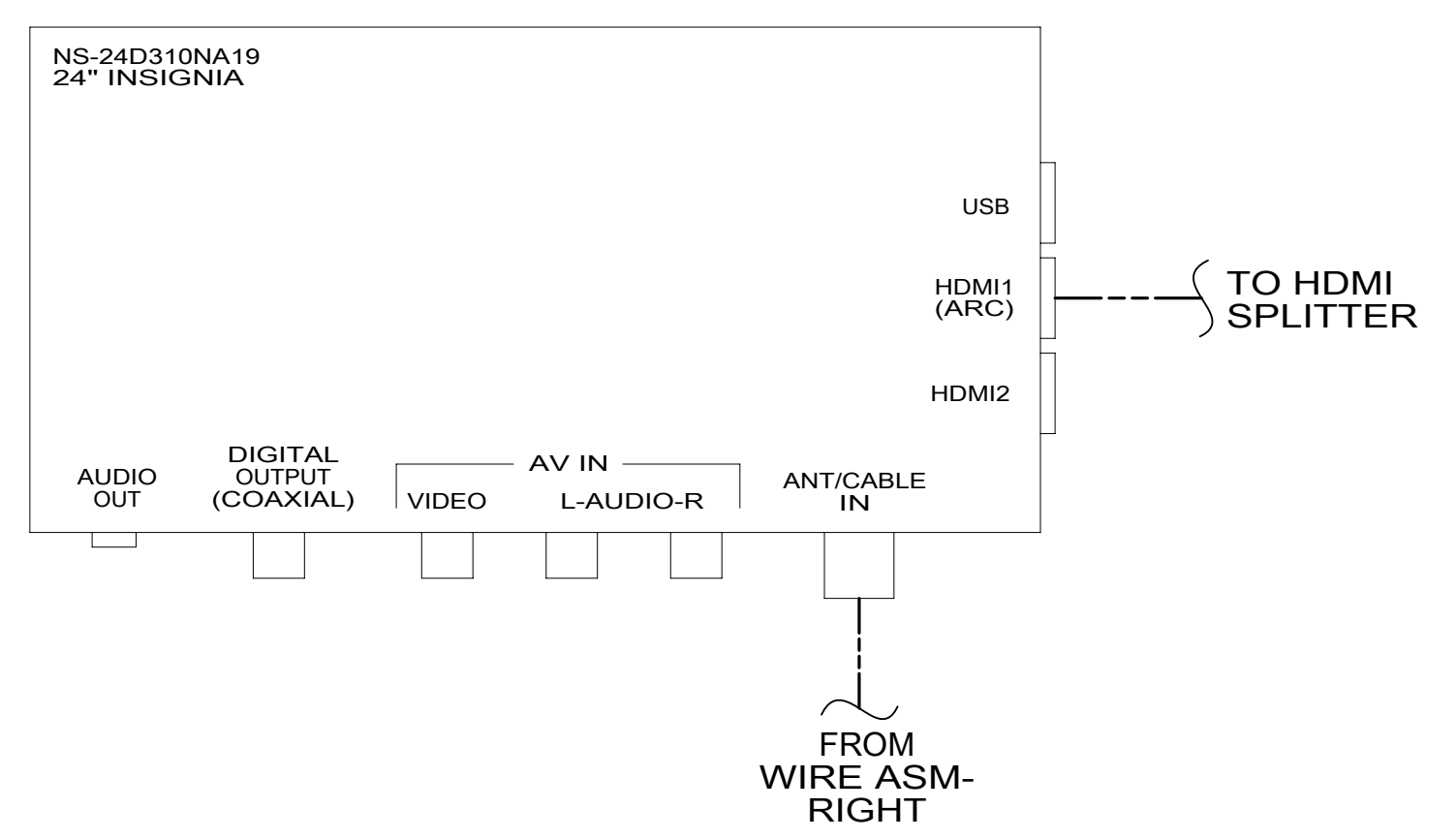
- 68X TV - BEDROOM
- 68T TV - BEDROOM WITHOUT
- 265 CODES/STANDARDS-CSA/CMVSS
- 1B1 CODES/STANDARDS USA

DESCRIPTION:		1B1 265	
WIRING INSTL-TV/DVD			
SHEET:	ITEM/PART NO.:	REV	
2 OF 3	000045564 / 32098301000		

8 7 6 5 4 3 2 1



VIEW CA
(TV NOT SHOWN)



VIEW CB

- 68X TV - BEDROOM
- 265 CODES/STANDARDS-CSA/CMVSS
- 1B1 CODES/STANDARDS USA

2 SEE WIRING INSTL-BODY, 110V FOR ADDITIONAL INFORMATION.

1 SEE WIRING INSTL-BODY, 12V FOR ADDITIONAL INFORMATION.

NOTES:

FOR ELECTRICAL TORQUE SPECIFICATIONS SEE DWG NO. 128783-01-000

X-X FOR ELECTRICAL CALLOUTS SEE DWG NO. 121339-01-000

DESCRIPTION:	1B1 265 68X	
WIRING INSTL-TV/DVD		
SHEET:	ITEM/PART NO:	REV
3 OF 3	000045564 / 32098301000	

8 7 6 5 4 3 2 1 20-Jul-2018

