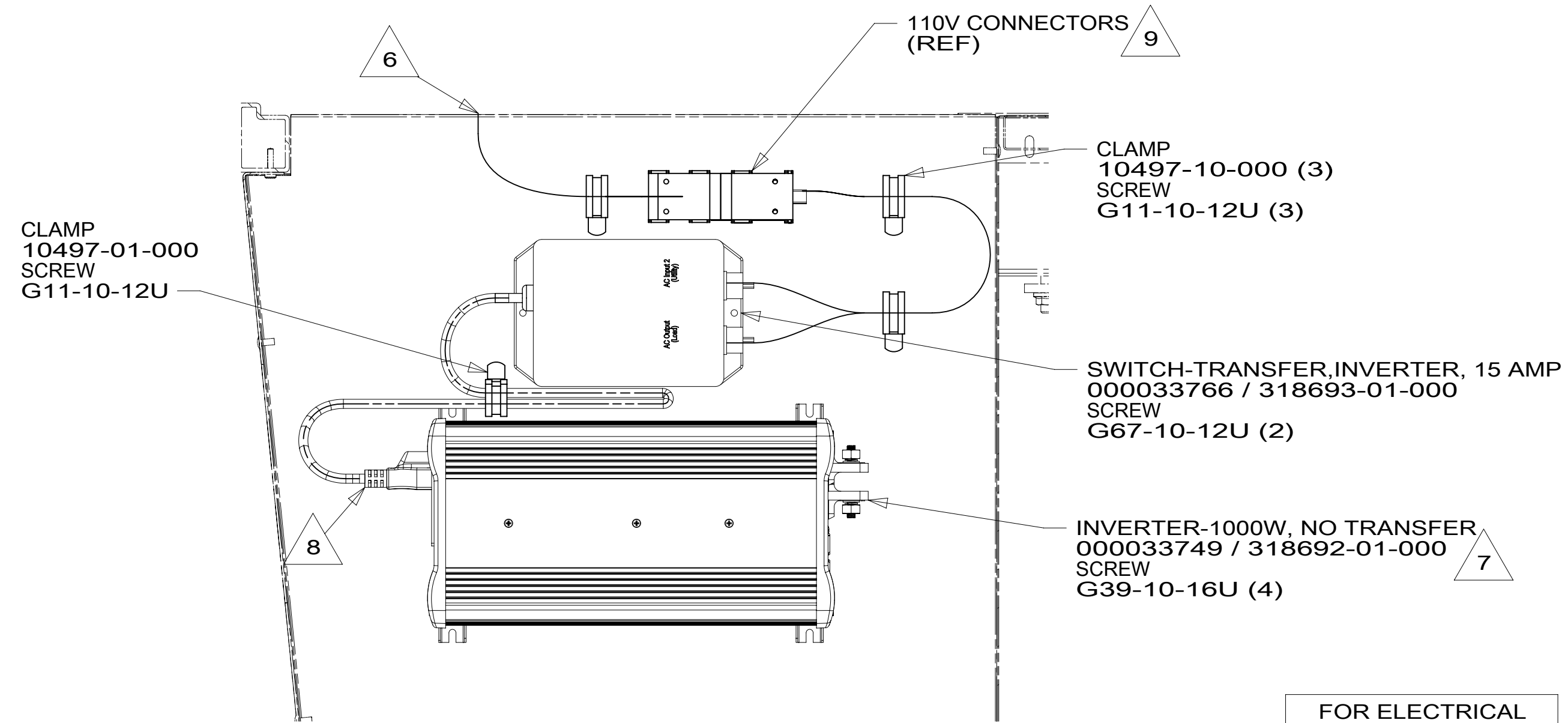


- 9 CONNECT INVERTER INPUT TO BRN WIRE INVERTER OUTPUT TO BRN-2 WIRE.
 - 8 PLUG TRANSFER SWITCH INTO 110V OUTLET IN INVERTER FRONT.
 - 7 CONNECT ORG CABLE TO RED(+) TERMINAL, BLK CABLE TO WHITE(-) TERMINAL, GROUND TO GROUND LUG.
 - 6 WIRES ROUTED THROUGH FLOOR IN THIS AREA.
 - 5 SEE GENERATOR INSTL FOR ADDITIONAL INFORMATION.
 - 4 SEE LOAD CENTER/ATS ASM FOR ADDITIONAL INFORMATION.
3. ALL GROUND WIRES TO BE COVERED WITH TUBING 8041-02-000.
 2. ALL 110V WIRE ARE TO BE CLAMPED WITH CLAMP 10497-05-000 WITHIN 200MM OF OUTLET BOXES, USE SCREW G67-10-12B.
 1. AT MINIMUM ALL WIRES TO BE SUPPORTED AND SECURED PER CODE REQUIREMENTS. USE CLAMP 10495 OR 10497 OR WIRE TIE 8343 OR 108046 AND SCREW G67-XX-XXX OR G56-XX-XXX AS APPROPRIATE FOR INSTALLATION.

NOTES:



VIEW AA

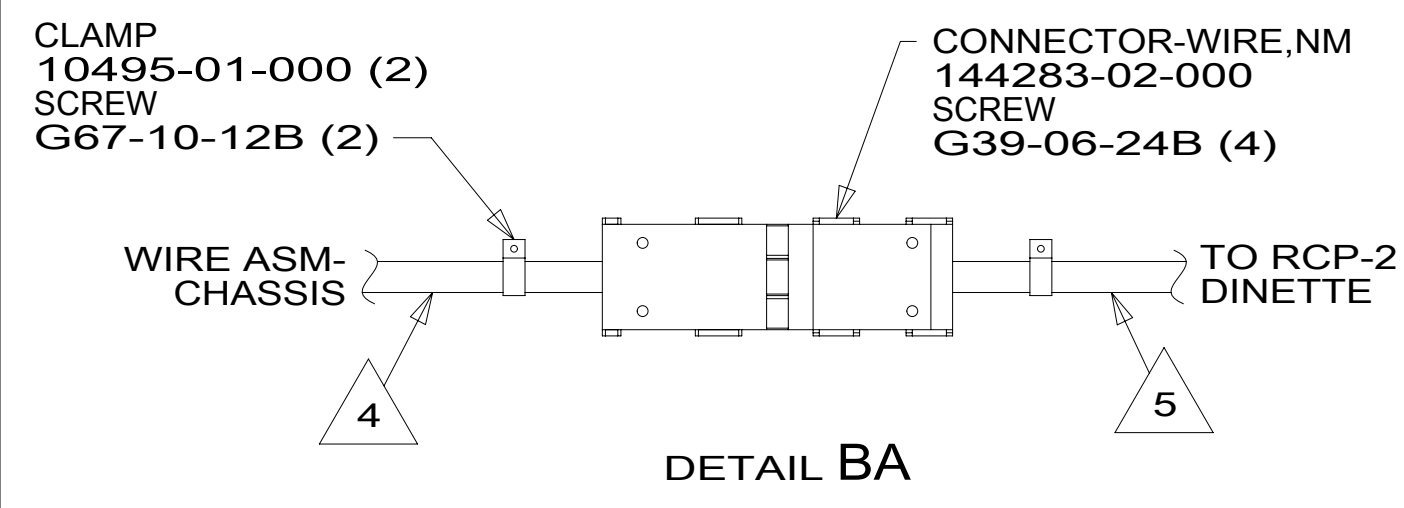
FOR ELECTRICAL TORQUE SPECIFICATIONS SEE DWG NO. 128783-01-000

FOR ELECTRICAL CALLOUTS SEE DWG NO. 121339-01-000

- 33F GEN-3.2 KW ONAN DIESEL
- 52G GEN-3.6KW ONAN LP MICROQUIET
- 265 CODES/STANDARDS-CSA/CMVSS
- 1B1 CODES/STANDARDS USA

WINNEBAGO
COPYRIGHT 2016 WINNEBAGO INDUSTRIES, INC.

DSNR:	ALL DIMENSIONS ARE IN MILLIMETERS	
DIFR:	MATERIAL:	
UNSPECIFIED TOLERANCES:	WHOLE DIM (X) : 3	
	ONE-PLACE (X.X) : 1.5	
	TWO-PLACE (X.XX) : 0.50	
	ANGLE : 1°	
REFER TO ES0018 FOR FASTENER TIGHTENING GUIDELINES	WEIGHT: (LBS)	FIRST USED: 18 524G
DESCRIPTION: WIRING INSTL-BODY, 110V		
SHEET: 1 OF 5	ITEM/PART NO: 000045196 / 32085301000	REV:
REF:	1 13-Dec-2017	



- 1B1 RECEPTACLE ASM-GFI,US-15A
000120175 / 322736-01-XXX
- 265 RECEPTACLE ASM-GFI,CAN-15A
000120176 / 322737-01-XXX
(BLU) (BATH)
3400 MM LOOP

RCP-2 (BRN-2)
BEDROOM
2700 DROP

RCP-2 (BRN-2)
HALL
1700 MM LOOP

WIRE ASM-110V
TO RIGHT SIDE

- 5 WIRE IS FROM SIDEWALL.
- 4 WIRE IS PART OF WIRE ASM-CHASSIS.
- 3 WIRES ROUTED THROUGH FLOOR IN THIS AREA.

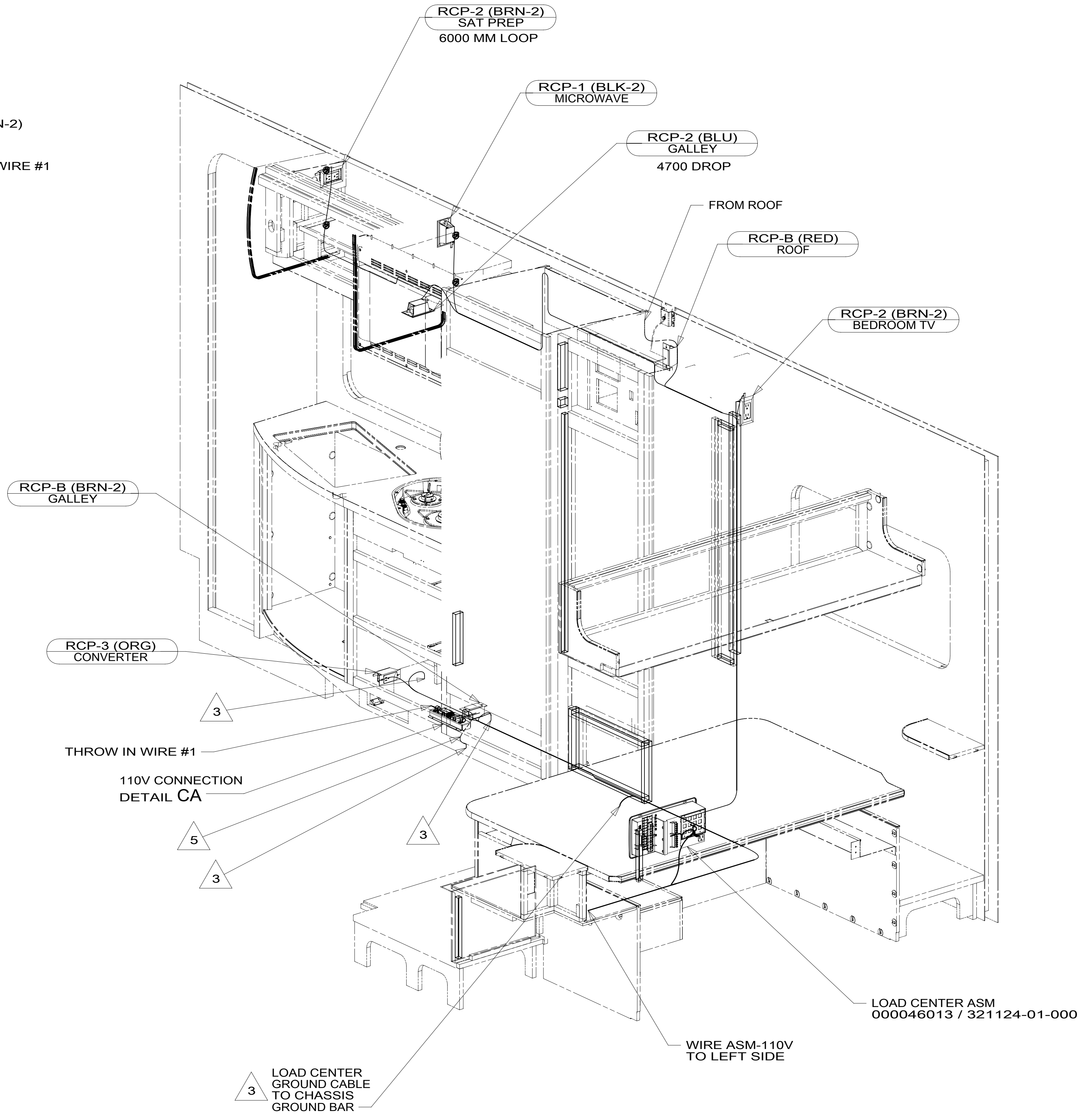
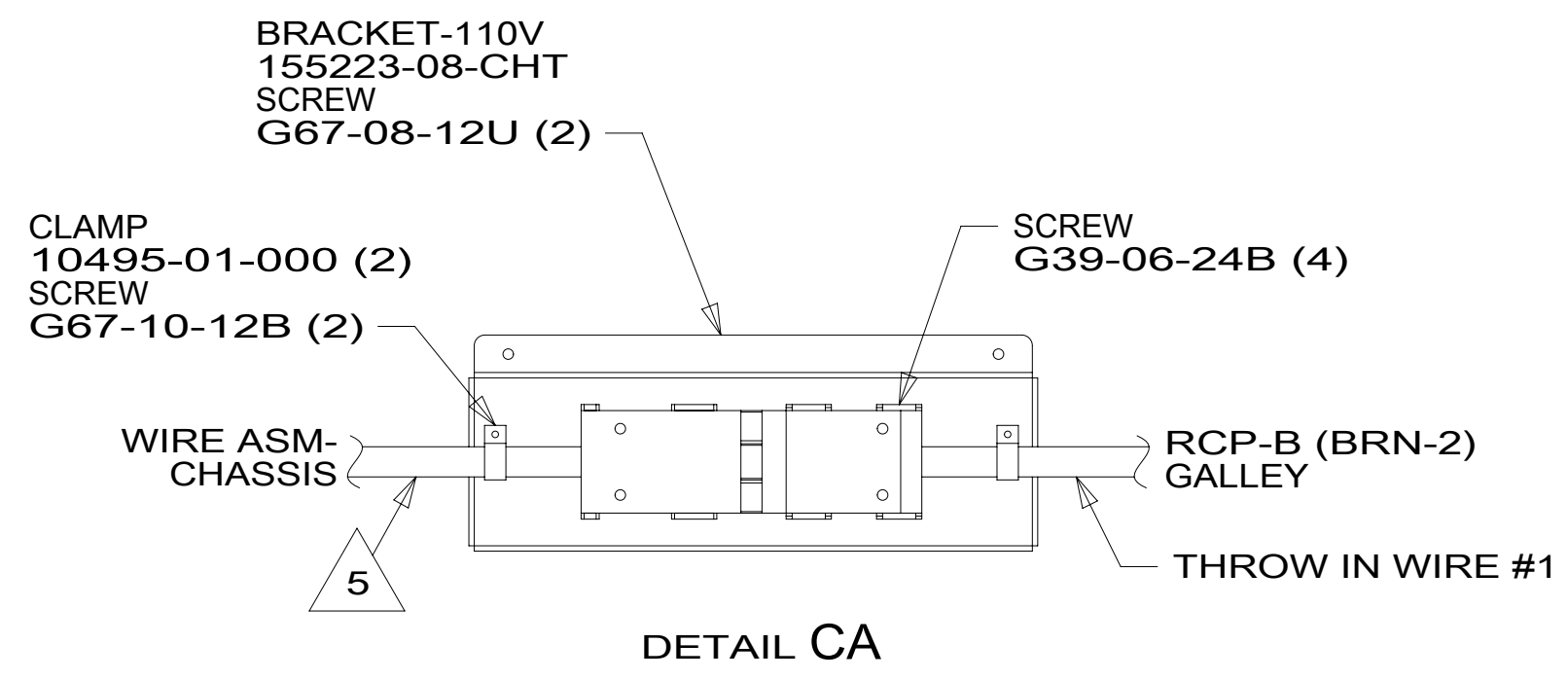
- NOTES:
2. ALL 110V WIRE TO BE CLAMPED WITH CLAMP 10497-05-000 WITHIN 200MM OF OUTLET BOXES, USE SCREW G67-10-12B.
 1. AT MINIMUM ALL WIRES TO BE SUPPORTED AND SECURED PER CODE REQUIREMENTS. USE CLAMP 10495 OR 10497 OR WIRE TIE 8343 OR 108046 AND SCREW G67-XX-XXX OR G56-XX-XXX AS APPROPRIATE FOR INSTALLATION.

FOR ELECTRICAL
TORQUE
SPECIFICATIONS
SEE DWG NO.
128783-01-000

FOR ELECTRICAL
CALLOUTS
SEE DWG NO.
121339-01-000

- 265 CODES/STANDARDS-CSA/CMVSS
- 1B1 CODES/STANDARDS USA

DESCRIPTION:		1B1	265
WIRING INSTL-BODY, 110V			
SHEET:	ITEM/PART NO.:	REV	
2 OF 5	000045196 / 32085301000		



- 5 WIRE IS PART OF WIRE ASM-CHASSIS.
- 4 SEE LOAD CENTER/ATS ASM FOR ADDITIONAL INFORMATION.
- 3 WIRE ROUTED THROUGH FLOOR IN THIS AREA.

2. ALL 110V WIRE TO BE CLAMPED WITH CLAMP 10497-05-000 WITHIN 200MM OF OUTLET BOXES, USE SCREW G67-10-12B.
1. AT MINIMUM ALL WIRES TO BE SUPPORTED AND SECURED PER CODE REQUIREMENTS. USE CLAMP 10495 OR 10497 OR WIRE TIE 8343 OR 108046 AND SCREW G67-XX-XXX OR G56-XX-XXX AS APPROPRIATE FOR INSTALLATION.

NOTES:

265 CODES/STANDARDS-CSA/CMVSS
 1B1 CODES/STANDARDS USA

FOR ELECTRICAL TORQUE SPECIFICATIONS SEE DWG NO. 128783-01-000

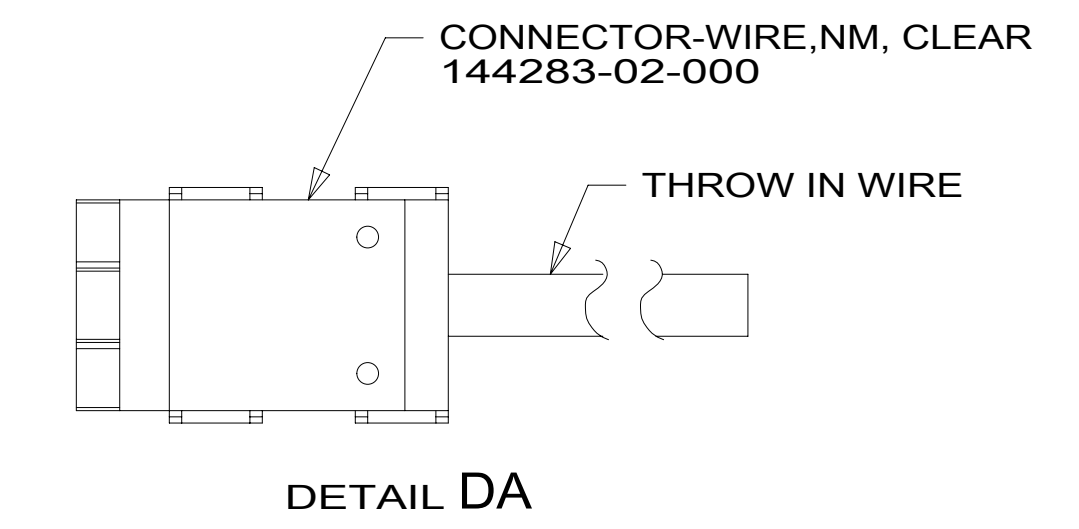
FOR ELECTRICAL CALLOUTS SEE DWG NO. 121339-01-000

DESCRIPTION:	
WIRING INSTL-BODY, 110V	
SHEET:	ITEM/PART NO. REV
3 OF 5	000045196 / 32085301000

8 7 6 5 4 3 2 1

D
C
B
A

RED	1B1	136135-07-050	
	265	136136-07-050	
BLK	1B1	136131-06-066	
	265	136134-06-066	
BRN	1B1	136131-03-038	2
	265	136134-03-038	2
BRN-2	1B1	136131-19-220	2
	265	136134-19-220	2
BLU	1B1	136131-02-190	
	265	136134-02-190	
ORG	1B1	136131-16-042	
	265	136134-16-042	
MAIN	1B1	136137-01-035	
	265	136138-01-035	
THROW IN WIRE #1	1B1	136131-19-004	2
	265	136134-19-004	2
GENERATOR CABLE ASM	1B1	164957-02-042	33F
	265	164957-04-042	33F
GROUND		136145-02-030	



2 FOR CONNECTOR INSTALLATION SEE DETAIL DA.

1. ALL GROUND WIRES TO BE COVERED WITH TUBING 8041-02-000.

NOTES:

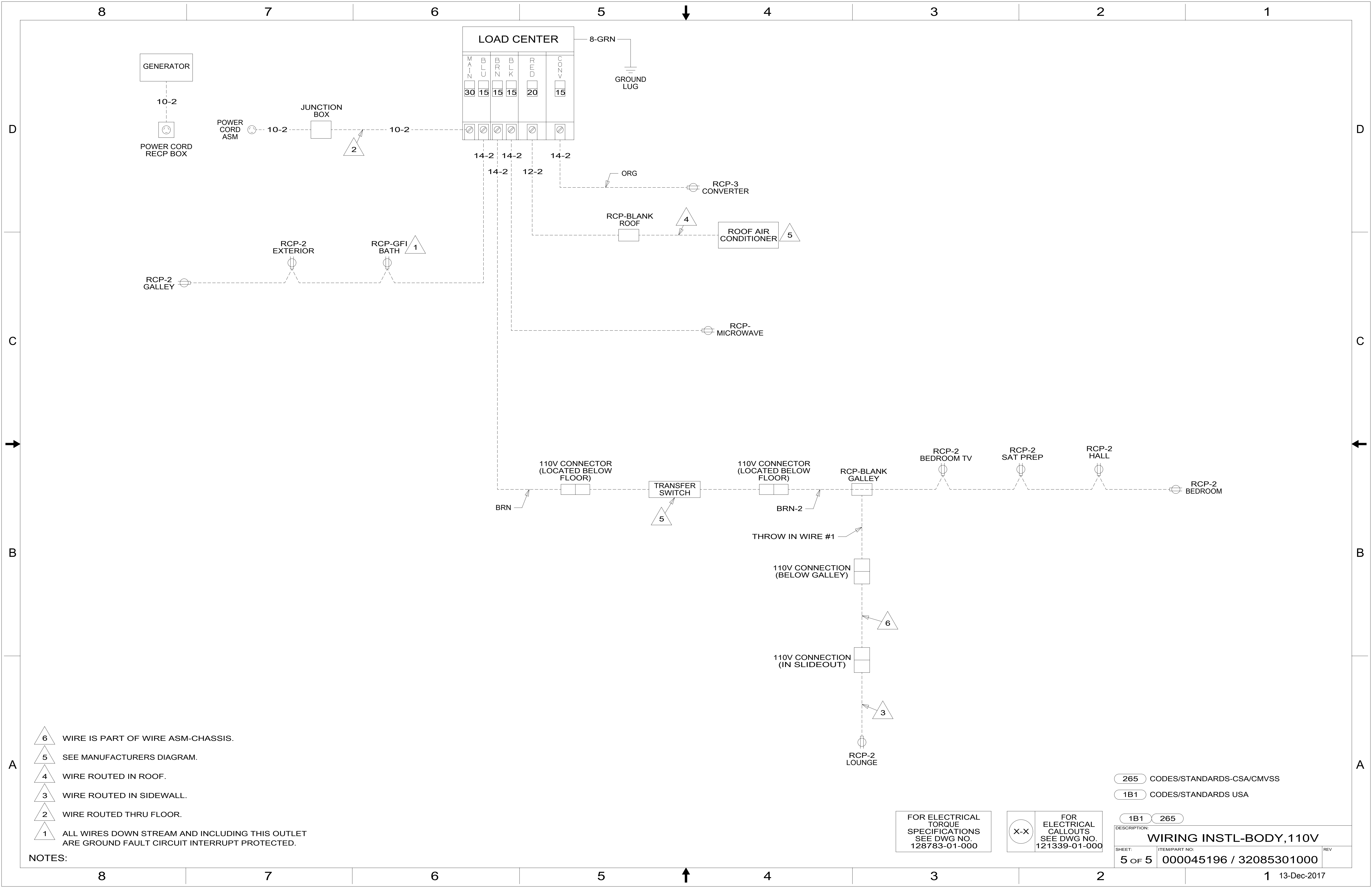
FOR ELECTRICAL TORQUE SPECIFICATIONS SEE DWG NO. 128783-01-000

X-X FOR ELECTRICAL CALLOUTS SEE DWG NO. 121339-01-000

- 33F GEN-3.5 KW ONAN DIESEL
- 265 CODES/STANDARDS-CSA/CMVSS
- 1B1 CODES/STANDARDS USA

DESCRIPTION:	
1B1	265
WIRING INSTL-BODY, 110V	
SHEET:	ITEM/PART NO:
4 OF 5	000045196 / 32085301000
REV	
1 13-Dec-2017	

8 7 6 5 4 3 2 1



- NOTES:
- 6 WIRE IS PART OF WIRE ASM-CHASSIS.
 - 5 SEE MANUFACTURERS DIAGRAM.
 - 4 WIRE ROUTED IN ROOF.
 - 3 WIRE ROUTED IN SIDEWALL.
 - 2 WIRE ROUTED THRU FLOOR.
 - 1 ALL WIRES DOWN STREAM AND INCLUDING THIS OUTLET ARE GROUND FAULT CIRCUIT INTERRUPT PROTECTED.

FOR ELECTRICAL TORQUE SPECIFICATIONS SEE DWG NO. 128783-01-000

FOR ELECTRICAL CALLOUTS SEE DWG NO. 121339-01-000

265 CODES/STANDARDS-CSA/CMVSS
 1B1 CODES/STANDARDS USA

DESCRIPTION:		1B1 265	
WIRING INSTL-BODY, 110V			
SHEET:	ITEM/PART NO.:	REV	
5 OF 5	000045196 / 32085301000		