

- 13. ATTACH SEAL TO BRACE WHERE IT CONTACTS HEATER PAD.
- 12. APPLY 1/4" BEAD OF SILICONE (131264-05-CHT) TO FLANGE BEFORE INSTALLATION AND THEN CAP SEAL SINK/CORIAN COUNTER TOP WITH SILICONE (131264-05-CHT).
- 11. PREP THE SURFACE PER MANUFACTURERS INSTRUCTIONS BEFORE APPLYING THE HEATING PAD.
- 10. SEE WIRING INSTL-BODY FOR ELECTRICAL CONNECTION.
- 9. SEE DRAWING 061607 FOR INSTALLATION OF GROMMETS.
- 8. SECURE DRAINAGE PIPES TO CABINET USING WIRE TIE 108046-02-000, AND SCREW 000G67-10-12U AT INTERVALS OF NO MORE THAN 4 FEET APART.
- 7. SECURE VENT PIPE TO FLOOR WITH CLAMP 000156237 / 326663-02-000 (2), SCREW 000G67-10-12U (2), BRACKET 136878-01-CHT (2).
- 6. VENT PIPE MUST PROJECT 51 MIN AND 64 MAX ABOVE ROOF FOR PROPER FIT AND FUNCTION. ADD S-1 (000156099 / 326607-01-CHT SEAL-VENT PIPE) AROUND PIPE ON ROOF BEFORE VENT CAP IS INSTALLED.
- 5. SEAL AROUND SHOWER WITH SILICONE.
- 4. USE SMOOTH PLUMBERS PUTTY 167459-01-000 TO SEAL STRAINER (0.2 PER STRAINER).
- 3. ALL PIPE AND FITTINGS TO BE ASSEMBLED WITH SOLVENT 004020-01-000 (USA), 004020-02-000 (CAN)
- 2. SLOPE OF TRAP ARM MUST BE 6 PER 305 mm.
- 1. SLOPE OF HORIZONTAL PIPING TO BE MINIMUM OF 3 PER 305 mm.

- 09A PREMIUM PACKAGE
- 093 PREMIUM PACKAGE WITHOUT
- 265 CODES/STANDARDS-CSA/CMVSS
- 23T DRAINAGE SYSTEM-HEATED
- 1B1 CODES/STANDARDS USA

WINNEBAGO[®]
COPYRIGHT 2018 WINNEBAGO INDUSTRIES, INC.

UNSPECIFIED TOLERANCES:		MATERIAL:
WHOLE DIM (X)	3	
ONE-PLACE (X.X)	1.5	
TWO-PLACE (X.XX)	0.50	
ANGLE	1°	

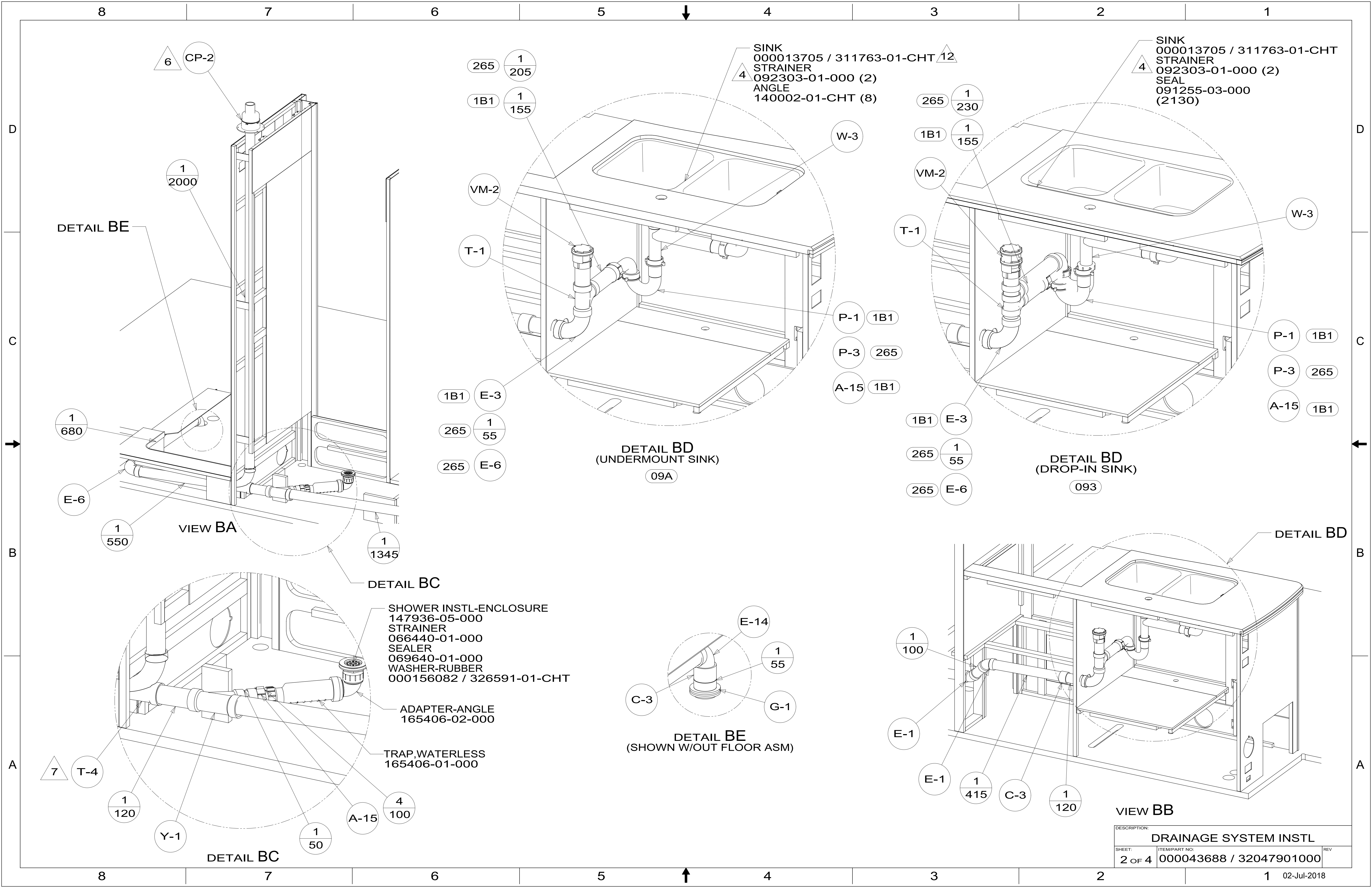
REFER TO ES0018 FOR FASTENER TIGHTENING GUIDELINES	WEIGHT: (LBS)	FIRST USED: (REF)
		18 326A

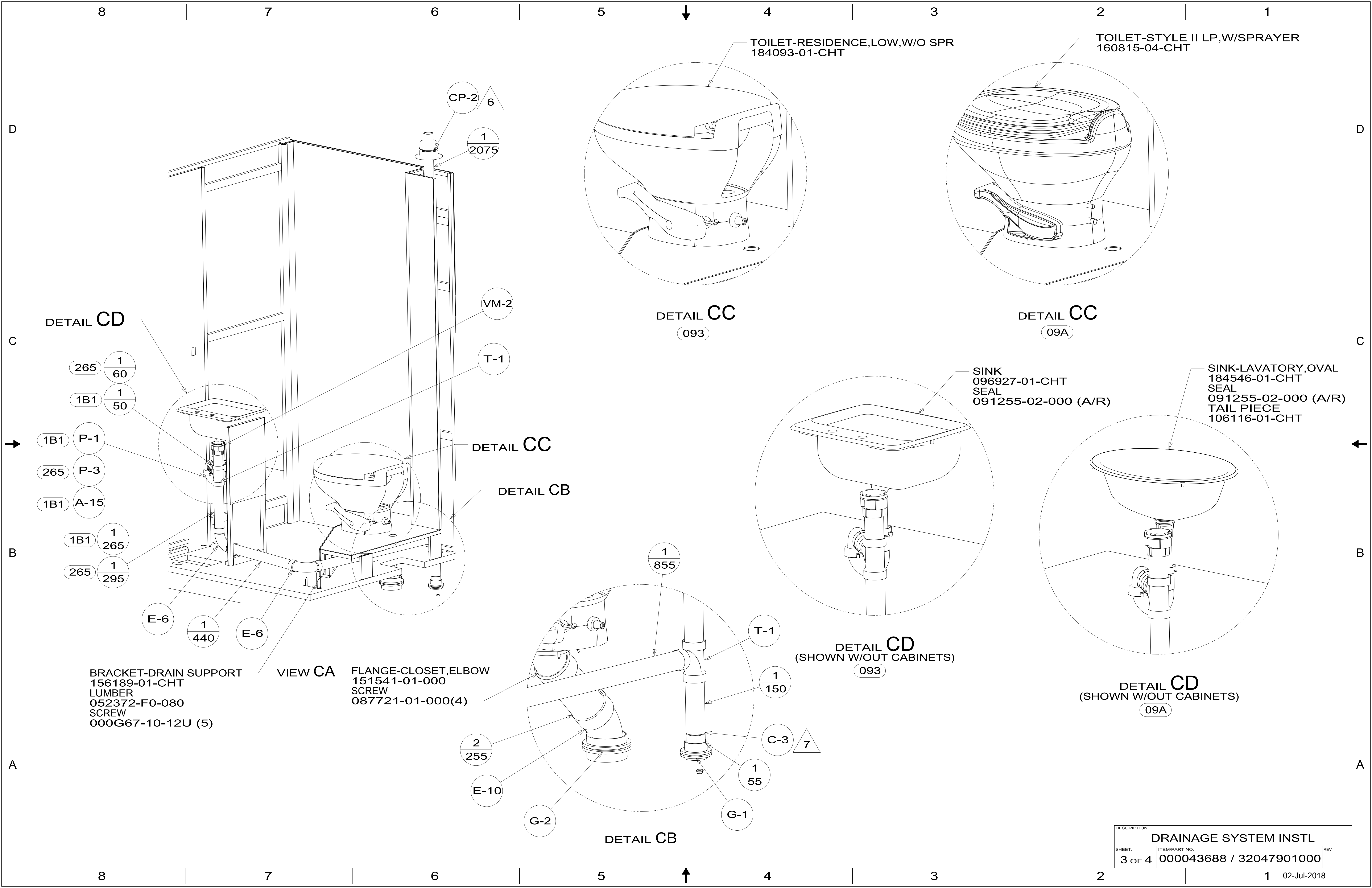
DRAINAGE SYSTEM INSTL

SHEET:	ITEM/PART NO.:	REV
1 OF 4	000043688 / 32047901000	

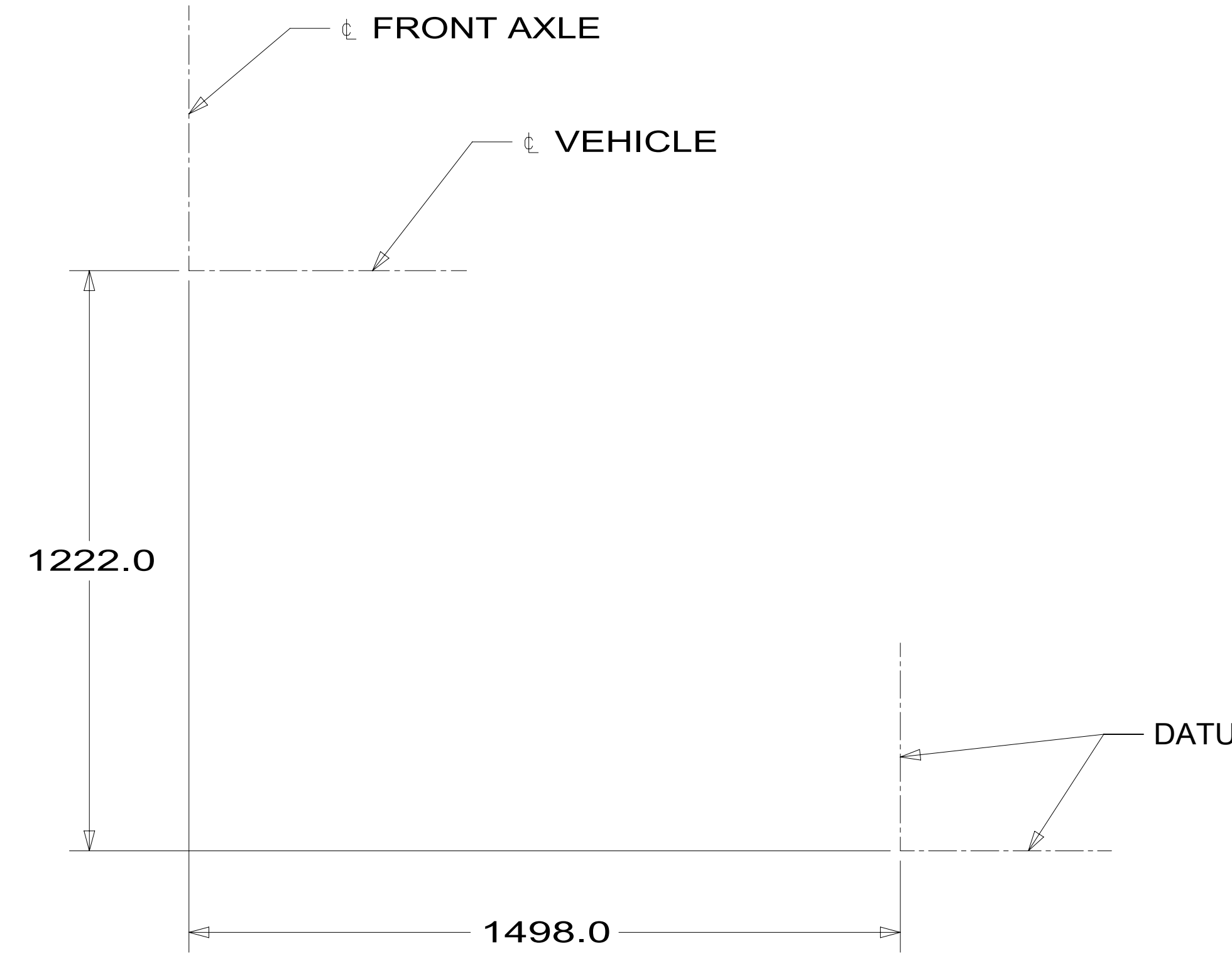
REF: 1 02-Jul-2018

X-X
FOR
DRAINAGE
CALLOUTS
SEE DWG NO.
000211962 /
303370-01-000

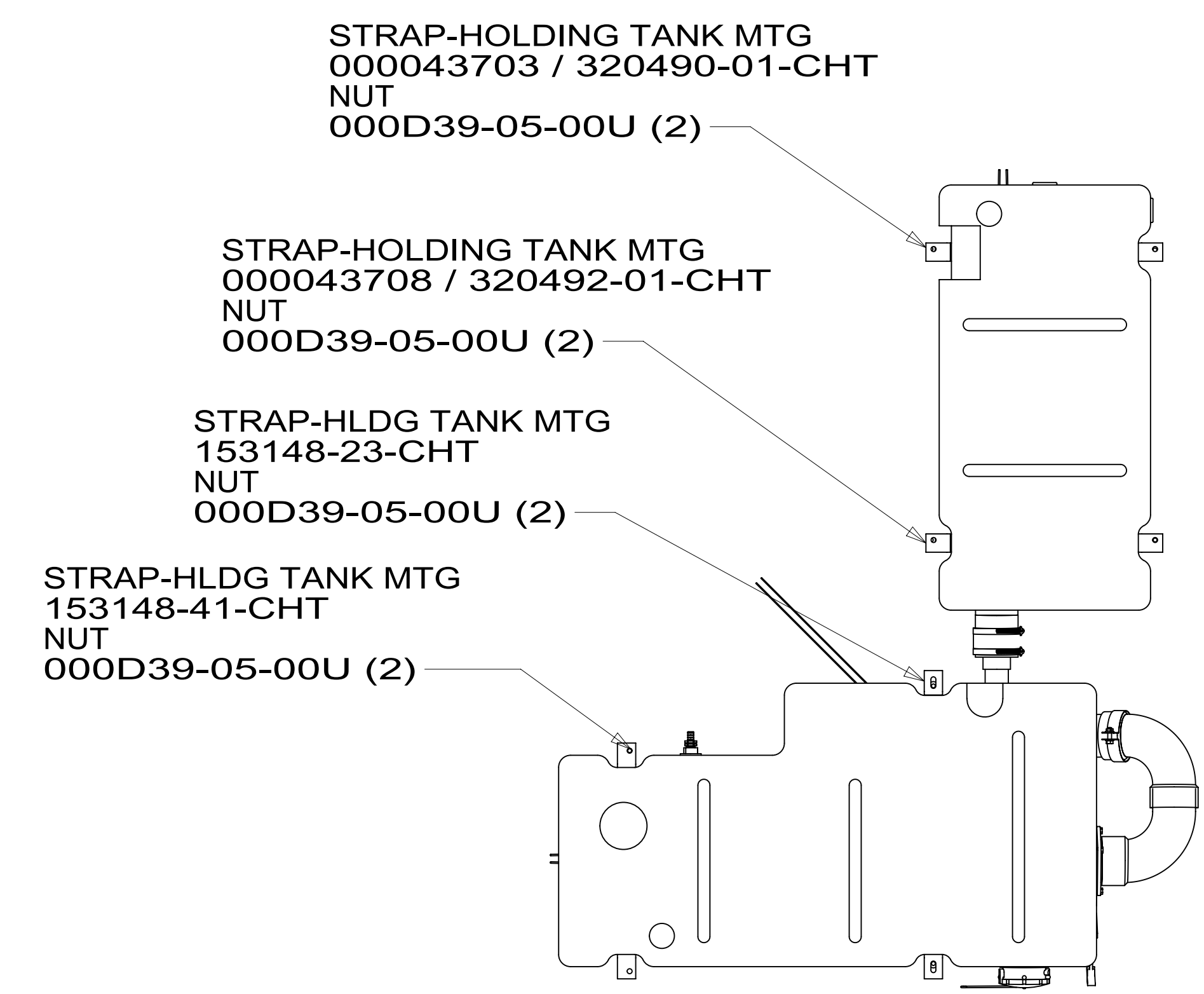




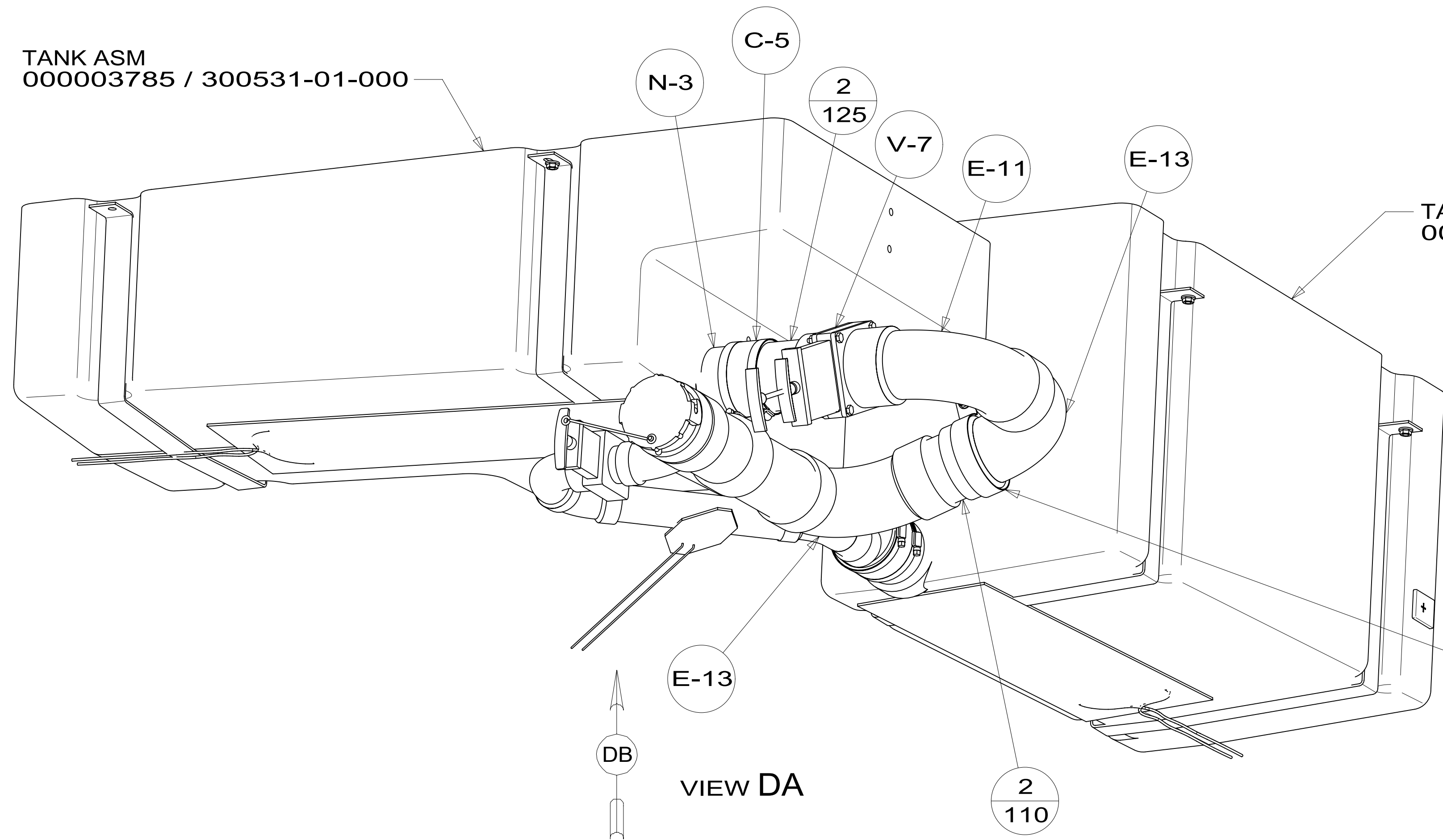
8 7 6 5 4 3 2 1



TOP VIEW SHOWING TANKS



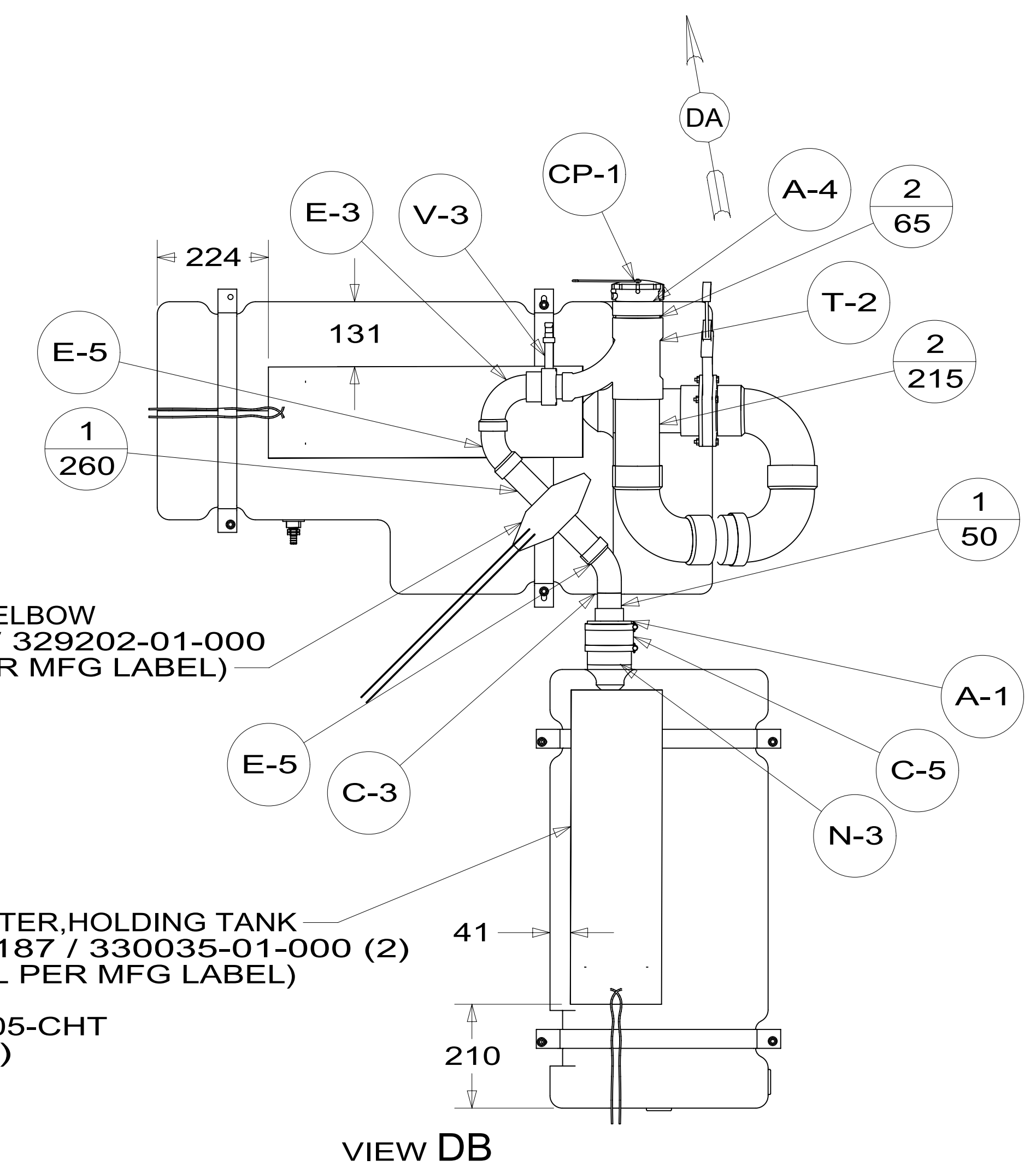
TANK ASM
000003785 / 300531-01-000



11 10 23T PAD-HEATER ELBOW
000164638 / 329202-01-000
(INSTALL PER MFG LABEL)

23T 10 11 PAD-HEATER, HOLDING TANK
000167187 / 330035-01-000 (2)
(INSTALL PER MFG LABEL)
SEAL
154585-05-CHT
(250)(2)

HOLDER-RING
141443-03-CHT
BOLT
000C26-05-16U
NUT
000D39-05-00U



DESCRIPTION: DRAINAGE SYSTEM INSTL		
SHEET: 4 OF 4	ITEM/PART NO: 000043688 / 32047901000	REV
		02-Jul-2018

8 7 6 5 4 3 2 1