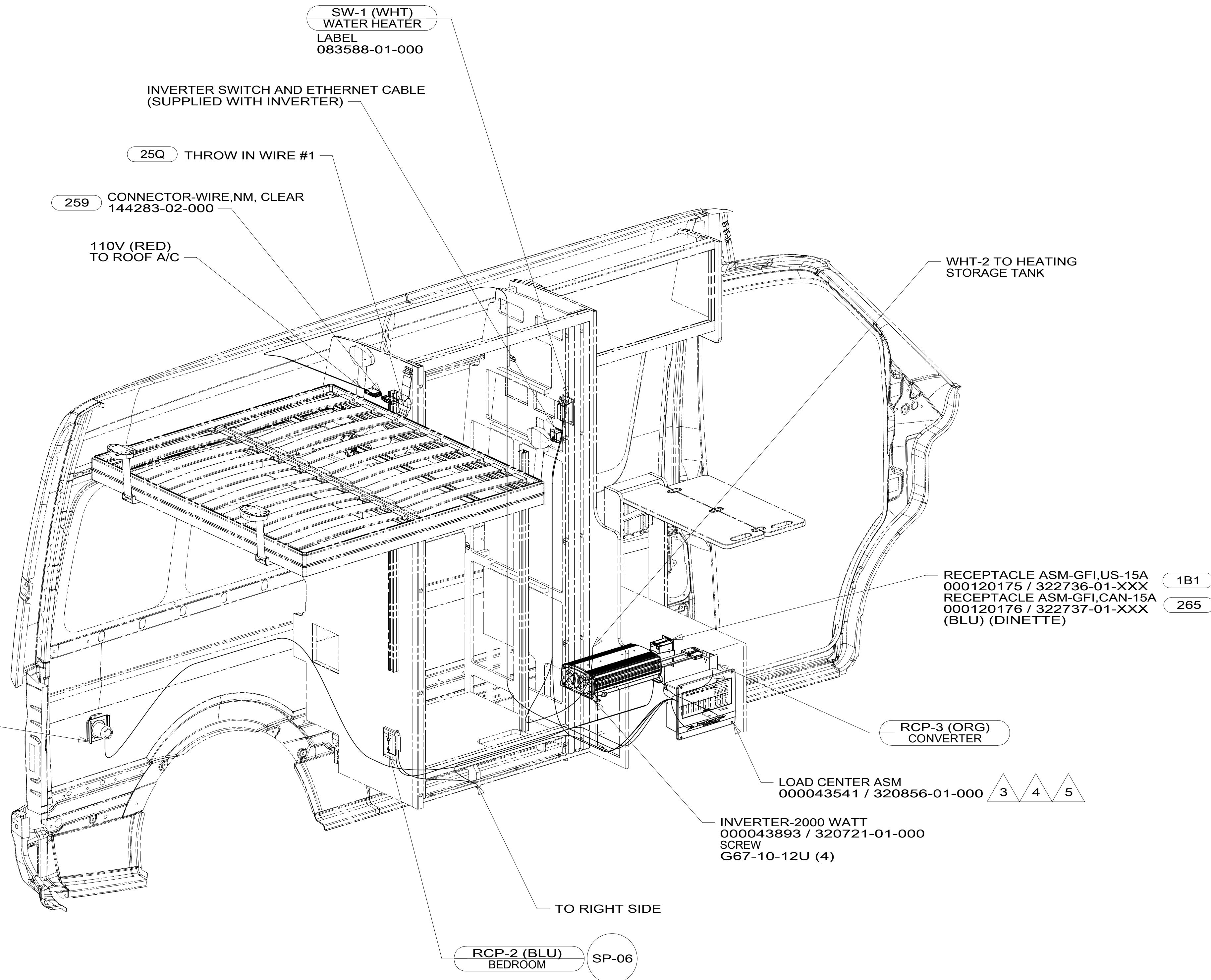


D

C

B

A



- 5 GROUND WIRES (8 GA WIRE) FROM LOAD CENTER AND ATS ROUTES THROUGH FLOOR TO GROUND BOLT UNDER DRIVER'S SEAT.
- 4 LOAD CENTER AND ATS GROUND WIRES MUST BE ATTACHED DIRECTLY TO CHASSIS GROUND.
- 3 SEE SHEET 4 FOR ADDITIONAL INFORMATION.
2. ALL 110V WIRES TO BE CLAMPED WITH CLAMP 10497-05-000 WITHIN 200MM OF OUTLET BOXES, USE SCREW G67-10-12B.
1. AT MINIMUM ALL WIRES TO BE SUPPORTED AND SECURED PER CODE REQUIREMENTS. USE CLAMP 10495 OR 10497 OR WIRE TIE 8343 OR 108046 AND SCREW G67-XX-XXX OR G56-XX-XXX AS APPROPRIATE FOR INSTALLATION.

NOTES:

- 25Q A/C
- 259 A/C-WITHOUT
- 265 CODES/STANDARDS-CSA/CMVSS
- 1B1 CODES/STANDARDS USA

**WINNEBAGO**  
COPYRIGHT 2016 WINNEBAGO INDUSTRIES, INC.

DSNR:	ALL DIMENSIONS ARE IN MILLIMETERS
DFFR:	
UNSPECIFIED TOLERANCES:	MATERIAL:
WHOLE DIM (X) : 3	
ONE-PLACE (X.X) : 1.5	
TWO-PLACE (X.XX) : 0.50	
ANGLE : 1°	
REFER TO ES0018 FOR FASTENER TIGHTENING GUIDELINES	WEIGHT: (LBS) FIRST USED: <b>18 B44E</b>
DESCRIPTION: <b>WIRING INSTL-BODY, 110V</b>	
SHEET: <b>1 OF 4</b>	ITEM/PART NO.: <b>000043511 / 32055501000</b>
REF:	REV:

FOR ELECTRICAL TORQUE SPECIFICATIONS SEE DWG NO. 128783-01-000

FOR ELECTRICAL CALLOUTS SEE DWG NO. 121339-01-000

D

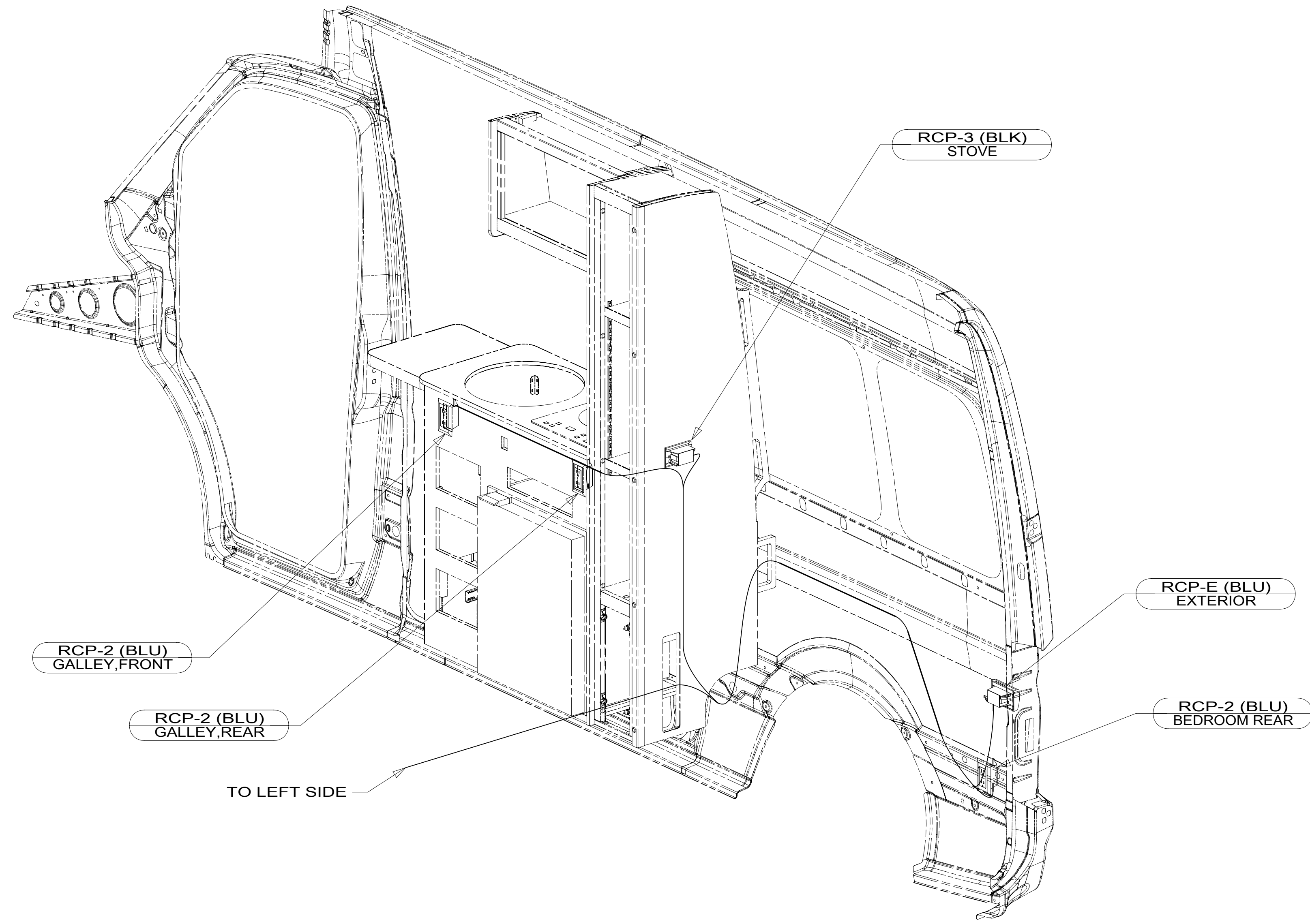
C

B

A

8 7 6 5 4 3 2 1

D  
C  
B  
A



- NOTES:
1. AT MINIMUM ALL WIRES TO BE SUPPORTED AND SECURED PER CODE REQUIREMENTS. USE CLAMP 10495 OR 10497 OR WIRE TIE 8343 OR 108046 AND SCREW G67-XX-XXX OR G56-XX-XXX AS APPROPRIATE FOR INSTALLATION.
  2. ALL 110V WIRES TO BE CLAMPED WITH CLAMP 10497-05-000 WITHIN 200MM OF OUTLET BOXES, USE SCREW G67-10-12B.

FOR ELECTRICAL TORQUE SPECIFICATIONS SEE DWG NO. 128783-01-000

FOR ELECTRICAL CALLOUTS SEE DWG NO. 121339-01-000

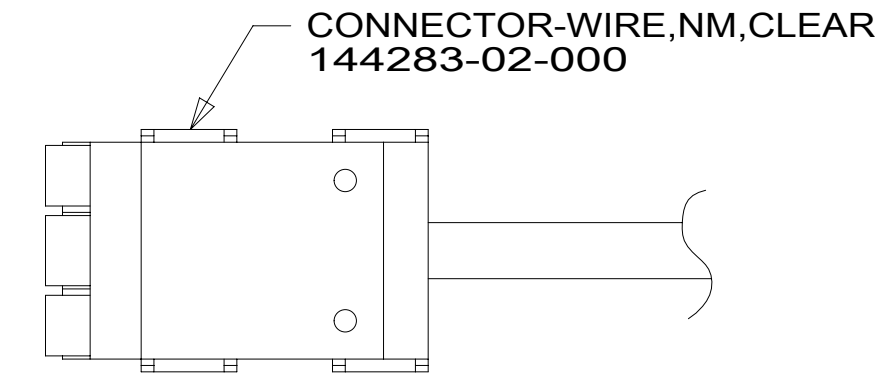
- 265 CODES/STANDARDS-CSA/CMVSS
- 1B1 CODES/STANDARDS USA

DESCRIPTION:	
1B1 265	
WIRING INSTL-BODY, 110V	
SHEET:	ITEM/PART NO. REV
2 OF 4	000043511 / 32055501000

8 7 6 5 4 3 2 1 12-Jun-2018

8 7 6 5 4 3 2 1

RED	1B1	136135-07-060	6
	265	136136-07-060	6
ORG	1B1	136131-05-010	
	265	136134-05-010	
BLK	1B1	136135-06-050	
	265	136136-06-050	
BLU	1B1	136131-02-140	
	265	136134-02-140	
WHT	1B1	136135-09-025	
	265	136136-09-025	
INV MAIN	1B1	136135-05-009	6 4
	265	136136-05-009	6 4
INV SUB MAIN	1B1	136135-05-009	6 5
	265	136136-05-009	6 5
MAIN	1B1	136137-01-037	
	265	136138-01-037	
THROW IN WIRE #1	1B1	136135-07-007	25Q 6
	265	136136-07-007	25Q 6
WHT-2	1B1	136135-09-023	
	265	136136-09-023	



DETAIL CA

- 6 SEE DETAIL CA FOR CONNECTOR INSTALLATION.
- 5 CONNECT CABLE FROM INVERTER OUTPUT TO LOAD CENTER SUB MAIN BREAKER.
- 4 CONNECT CABLE FROM INVERTER INPUT TO LOAD CENTER INVERTER BREAKER.
3. SEE WIRING INSTL-BODY, 12V FOR ADDITIONAL INFORMATION.
2. SECURE WIRES TO BACKSIDE OF LOAD CENTER WITH WIRE TIE 116673-01-000.
1. ALL GROUNDS WIRES TO BE COVERED WITH TUBING 8041-02-000.

NOTES:

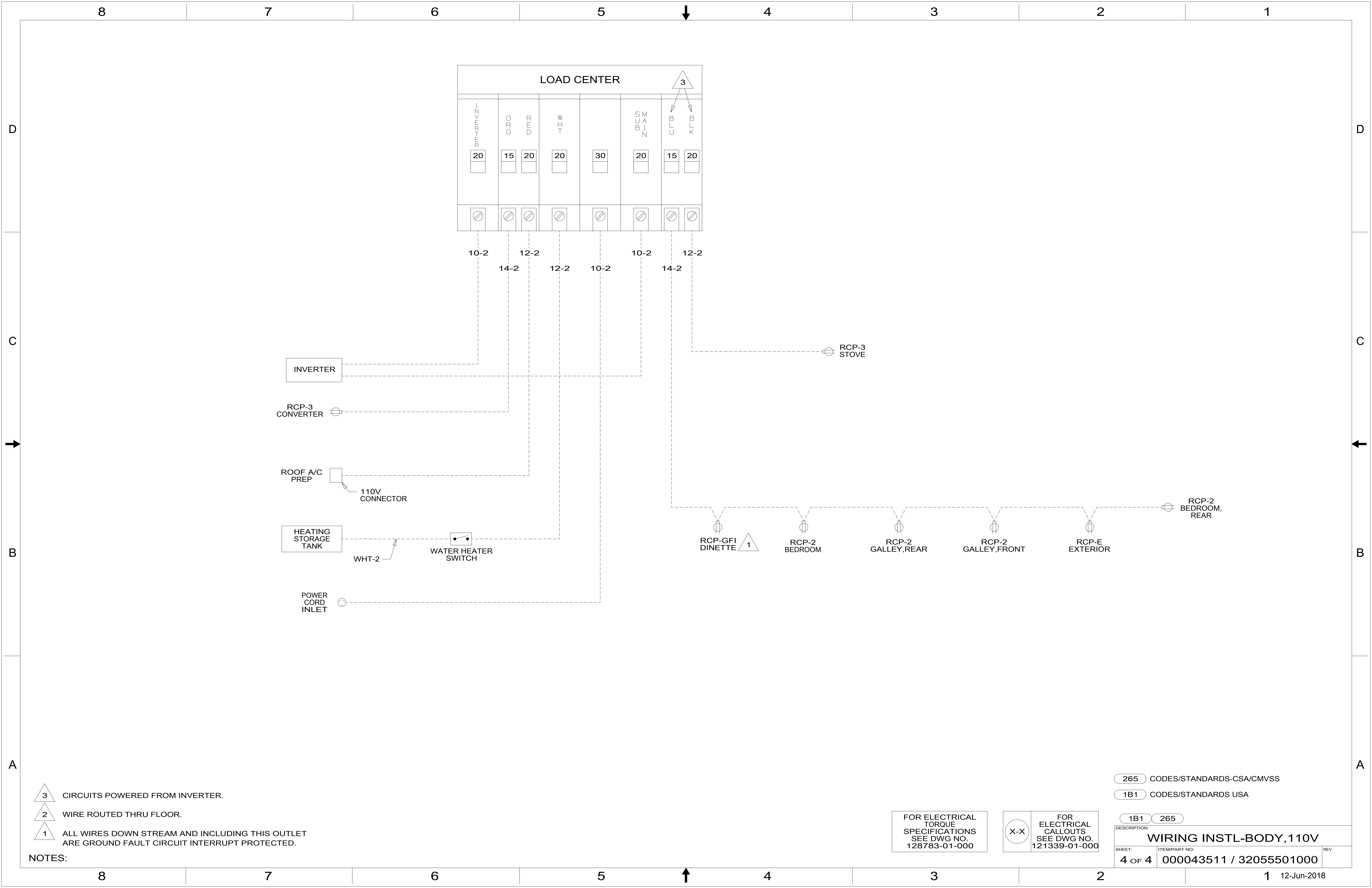
- 25Q A/C
- 265 CODES/STANDARDS-CSA/CMVSS
- 1B1 CODES/STANDARDS USA




FOR ELECTRICAL TORQUE SPECIFICATIONS SEE DWG NO. 128783-01-000

FOR ELECTRICAL CALLOUTS SEE DWG NO. 121339-01-000

1B1	265
DESCRIPTION: <b>WIRING INSTL-BODY, 110V</b>	
SHEET: 3 OF 4	ITEM/PART NO: 000043511 / 32055501000
REV	

8 7 6 5 4 3 2 1 12-Jun-2018



- NOTES:**
-  CIRCUITS POWERED FROM INVERTER.
  -  WIRE ROUTED THRU FLOOR.
  -  ALL WIRES DOWN STREAM AND INCLUDING THIS OUTLET ARE GROUND FAULT CIRCUIT INTERRUPT PROTECTED.

265 CODES/STANDARDS-CSA/CMVSS  
 1B1 CODES/STANDARDS USA

FOR ELECTRICAL TORQUE SPECIFICATIONS SEE DWG NO. 128783-01-000

FOR ELECTRICAL CALLOUTS SEE DWG NO. 121339-01-000

DESCRIPTION: <b>WIRING INSTL-BODY, 110V</b>	
SHEET: <b>4 OF 4</b>	ITEM/PART NO.: <b>000043511 / 32055501000</b>
REV	