

- NOTES:
- 4 PREP BOTH SURFACES WITH ADHESIVE-PROMOTER 087211-01-000.
 - 3 ATTACH FASTENER-DUAL LOCK TO DVD PLAYER POSITIONED AS SHOWN.
 - 2 SEE WIRING INSTL-BODY, 110V FOR ADDITIONAL INFORMATION.
 - 1 SEE WIRING INSTL-BODY, 12V FOR ADDITIONAL INFORMATION.

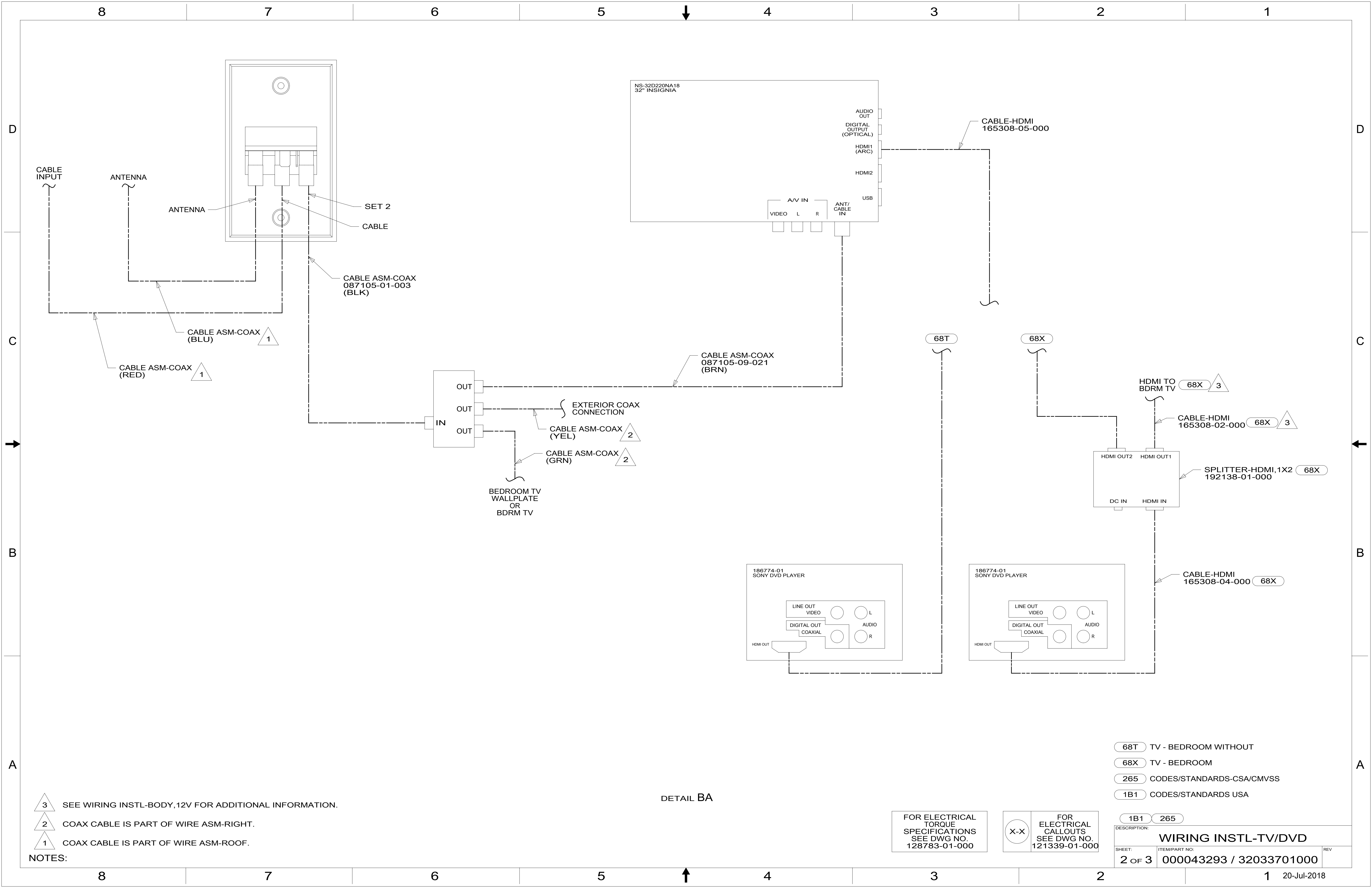
FOR ELECTRICAL TORQUE SPECIFICATIONS SEE DWG NO. 128783-01-000

FOR ELECTRICAL CALLOUTS SEE DWG NO. 121339-01-000

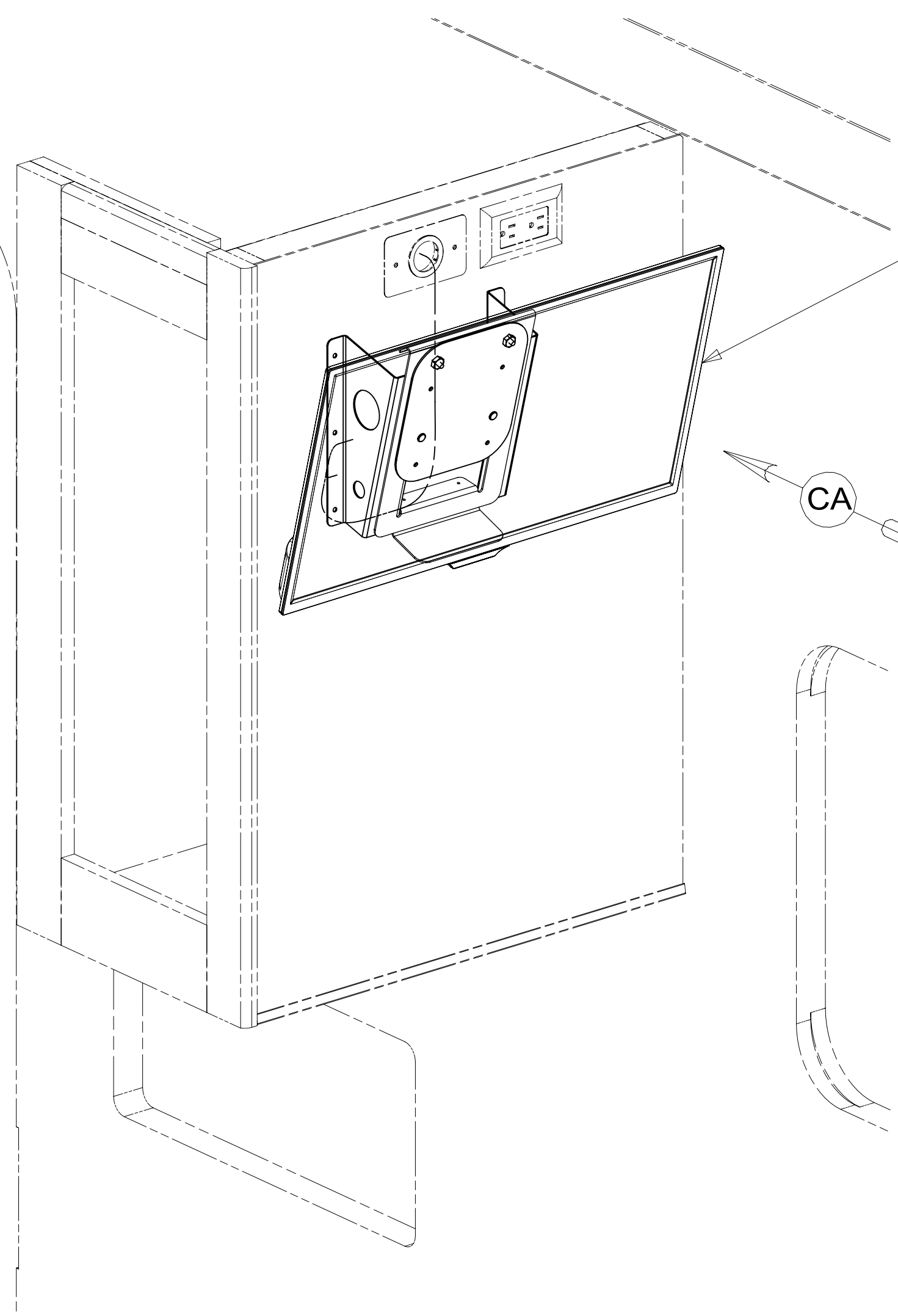
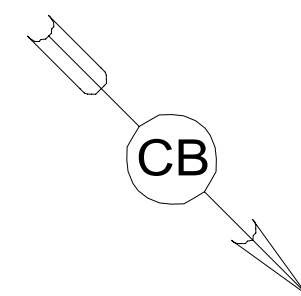
- 265 CODES/STANDARDS-CSA/CMVSS
- 1B1 CODES/STANDARDS USA
- 1B1 265



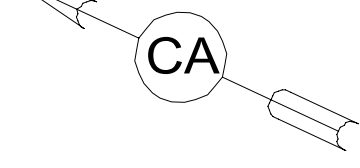
DSNR:		ALL DIMENSIONS ARE IN MILLIMETERS	
DIFFR:		MATERIAL:	
UNSPECIFIED TOLERANCES:		WEIGHT: (LBS)	FIRST USED:
WHOLE DIM (X)	: 3		18 325B
ONE-PLACE (X.X)	: 1.5		
TWO-PLACE (X.XX)	: 0.50		
ANGLE	: 1°		
REFER TO ES0018 FOR FASTENER TIGHTENING GUIDELINES			
DESCRIPTION: WIRING INSTL-TV/DVD			
SHEET: 1 OF 3	ITEM/PART NO: 000043293 / 32033701000	REV:	



8 7 6 5 4 3 2 1



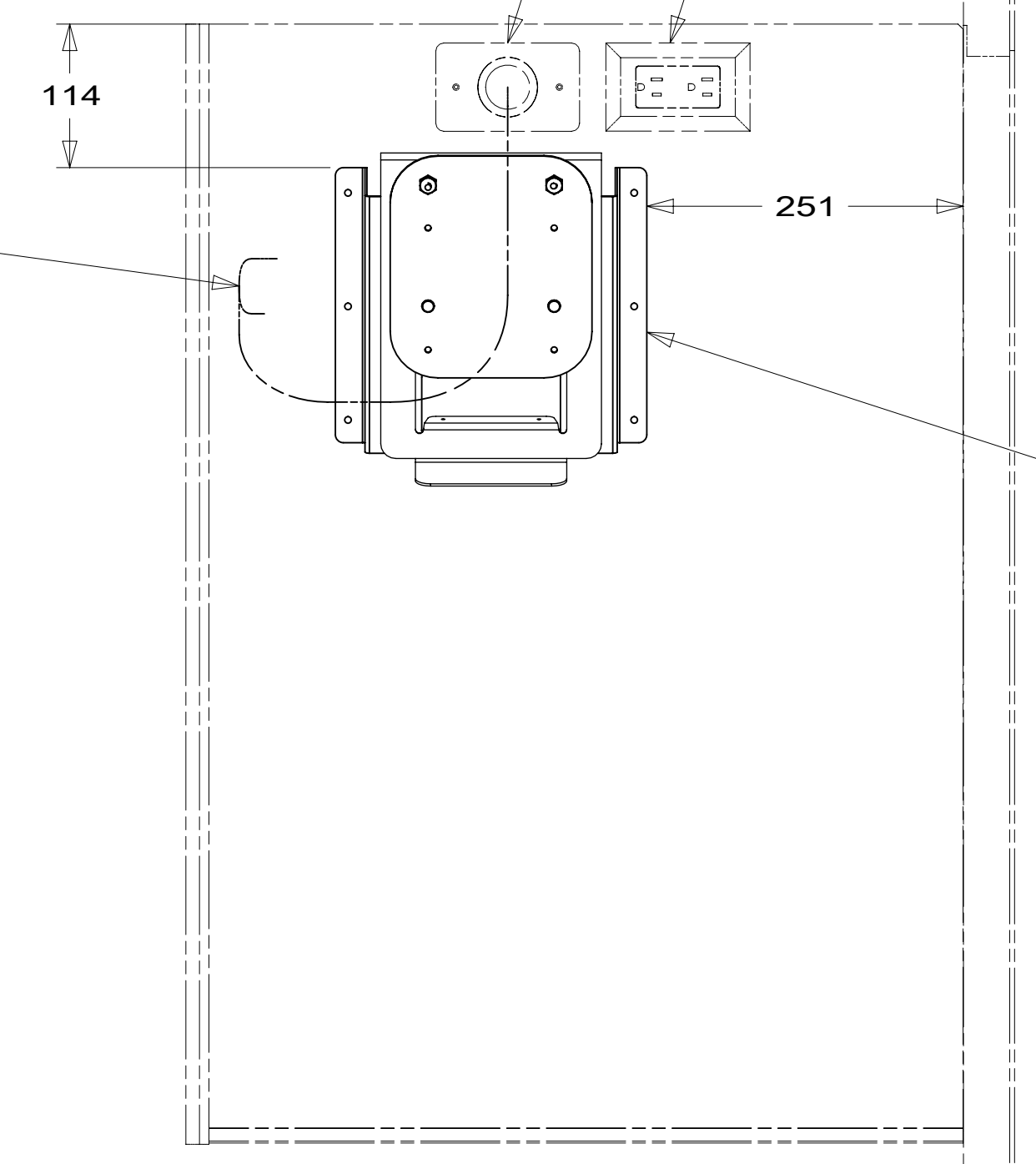
TV-24" HDTV, INSIGNIA
 000167921 / 330227-01-000
 PLATE ASM
 000168018 / 330250-01-CHT
 NUT
 000D65-08-00U (2)
 SCREW
 000G19-10-10U (2)
 SCREW
 0MG02U-04-012 (4)
 WASHER
 0ME02U-04-071 (4)



1 WIRE ASM-RIGHT
 (REFERENCE)

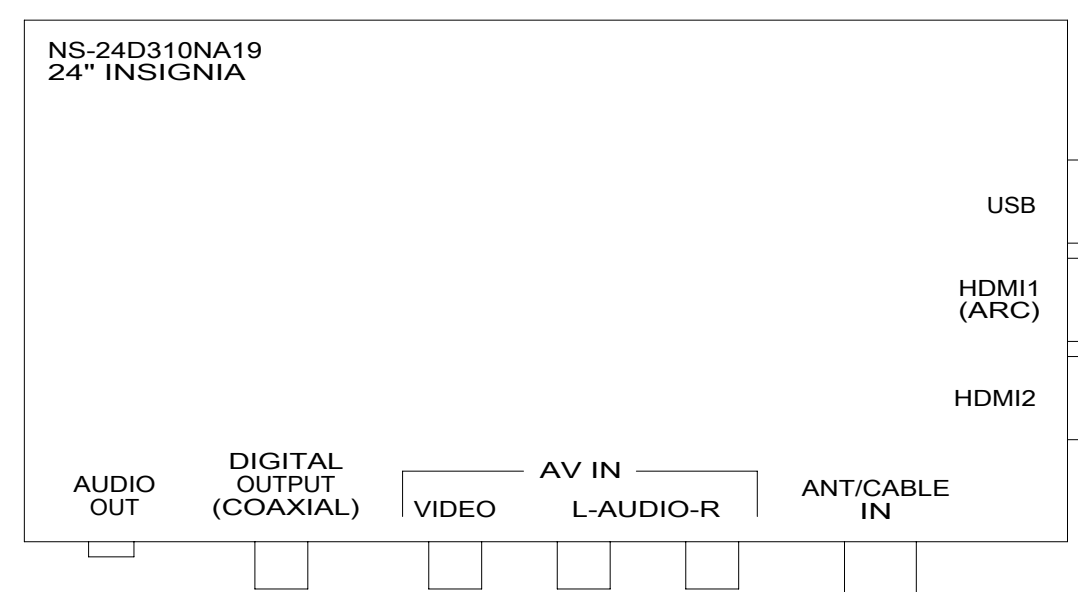
PLATE-WHOLES
 AND
 GROMMET-EDGE LINER
 (REFERENCE) 1

110V RCP
 (REF) 2



BRACKET-TV
 000033447 / 317570-01-CHT
 SCREW
 000G39-10-12U (6)
 PLATE-MOUNTING
 000032972 / 317364-01-CHT
 SCREW
 000G39-10-12U (2)
 000G11-08-20U (2)

VIEW CA
 (TV NOT SHOWN)



HDMI CABLE
 TO SPLITTER 1

TO COAX
 SPLITTER 1

VIEW CB

- 68X TV - BEDROOM
- 265 CODES/STANDARDS-CSA/CMVSS
- 1B1 CODES/STANDARDS USA

2 SEE WIRING INSTL-BODY, 110V FOR ADDITIONAL INFORMATION.
 1 SEE WIRING INSTL-BODY, 12V FOR ADDITIONAL INFORMATION.

NOTES:

FOR ELECTRICAL
 TORQUE
 SPECIFICATIONS
 SEE DWG NO.
 128783-01-000

X-X
 FOR ELECTRICAL
 CALLOUTS
 SEE DWG NO.
 121339-01-000

DESCRIPTION:	1B1 265 68X	
WIRING INSTL-TV/DVD		
SHEET:	ITEM/PART NO:	REV
3 OF 3	000043293 / 32033701000	

8 7 6 5 4 3 2 1 20-Jul-2018