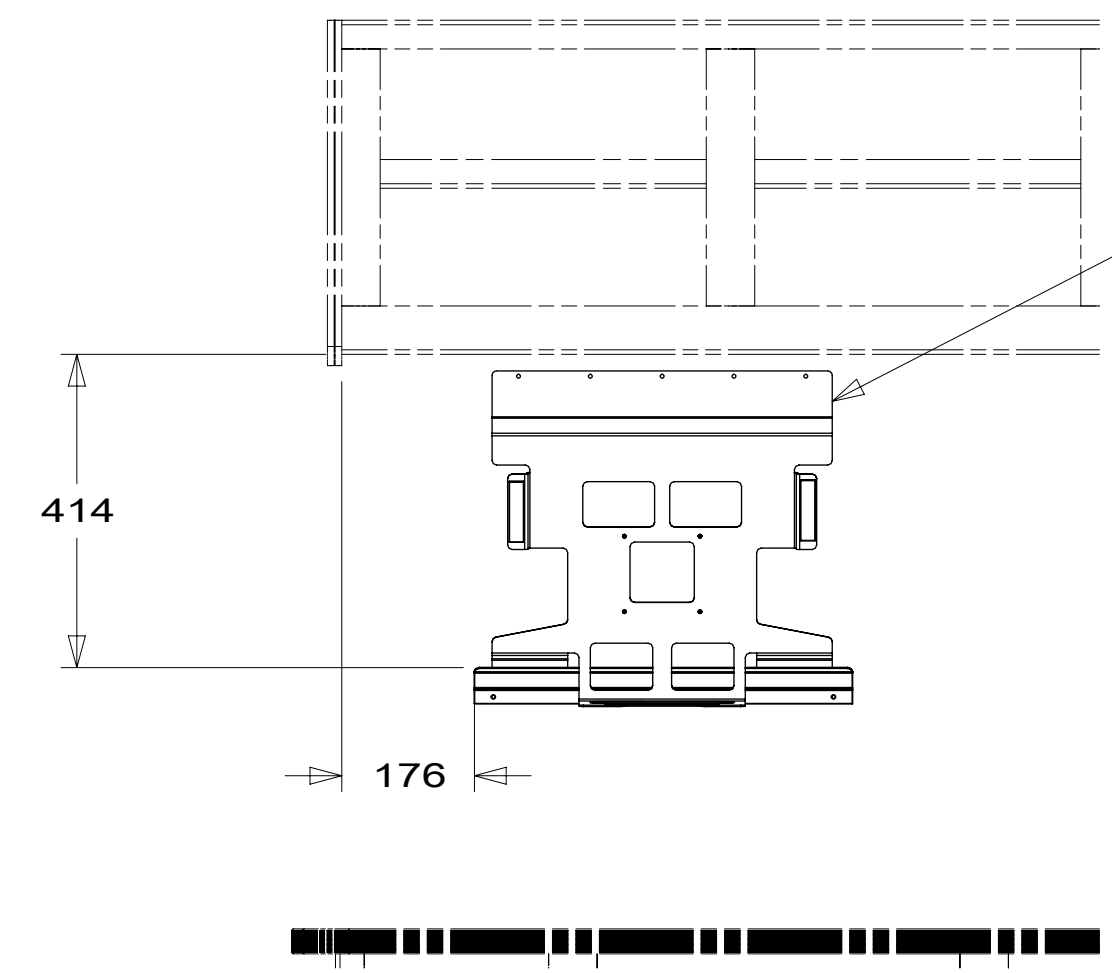


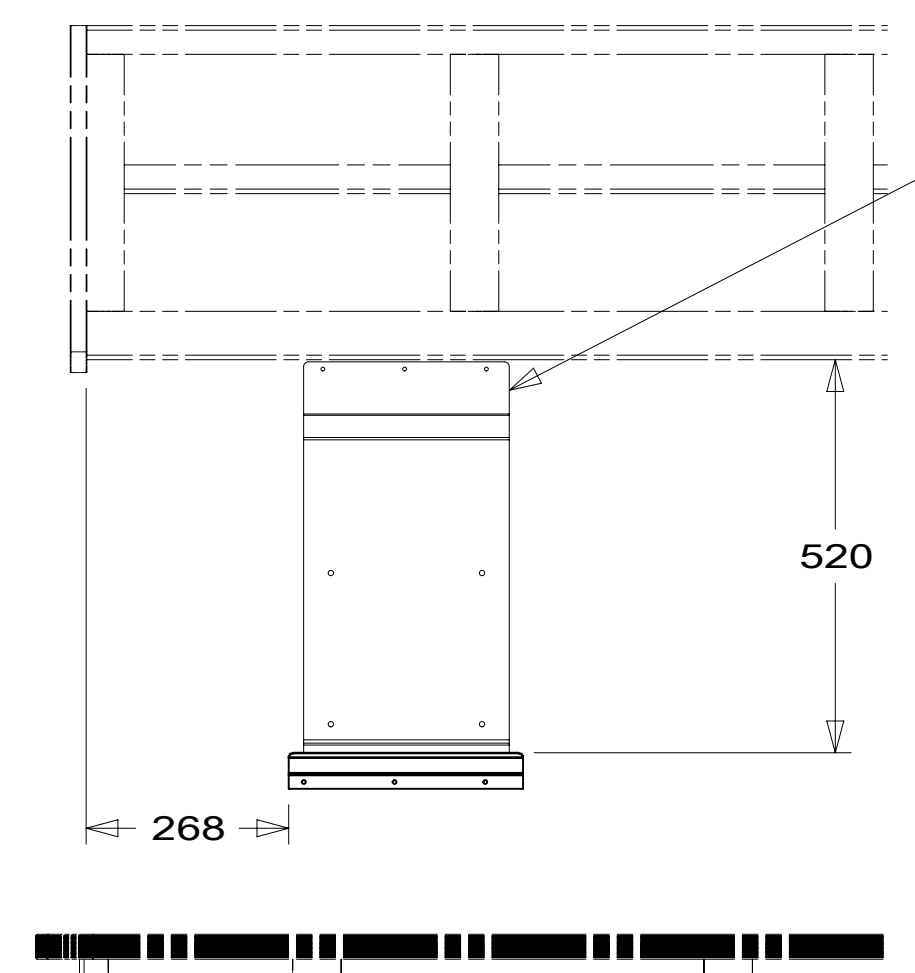
D

D



- BRACKET-TV, 32 INSIG
000128763 / 325071-01-CHT
- SCREW-MS, M4X0,7X12PPH/DN7985
- 0MG02U-04-012 (4)
- WASHER-LOCK 4IDX07,10D
- 0ME02U-04-071 (4)
- TAPE-FOAM, DBL COATED, 0.45X.75
- 076322-22-000 (80 MM)
- 076322-22-000 (80 MM)
- TAPE-FOAM, DBL COATED, 0.45X1.0
- 076322-23-000 (150 MM)
- RIVET-POP-AL 3/16X.063-.252
- 113133-01-CHT (4)
- SCREW
- 000G39-10-16U (5)
- CLIP-TRIM
- 130034-04-CHT
- SCREW
- 000G39-10-16U (4)

VIEW AA
(TV NOT SHOWN) 093

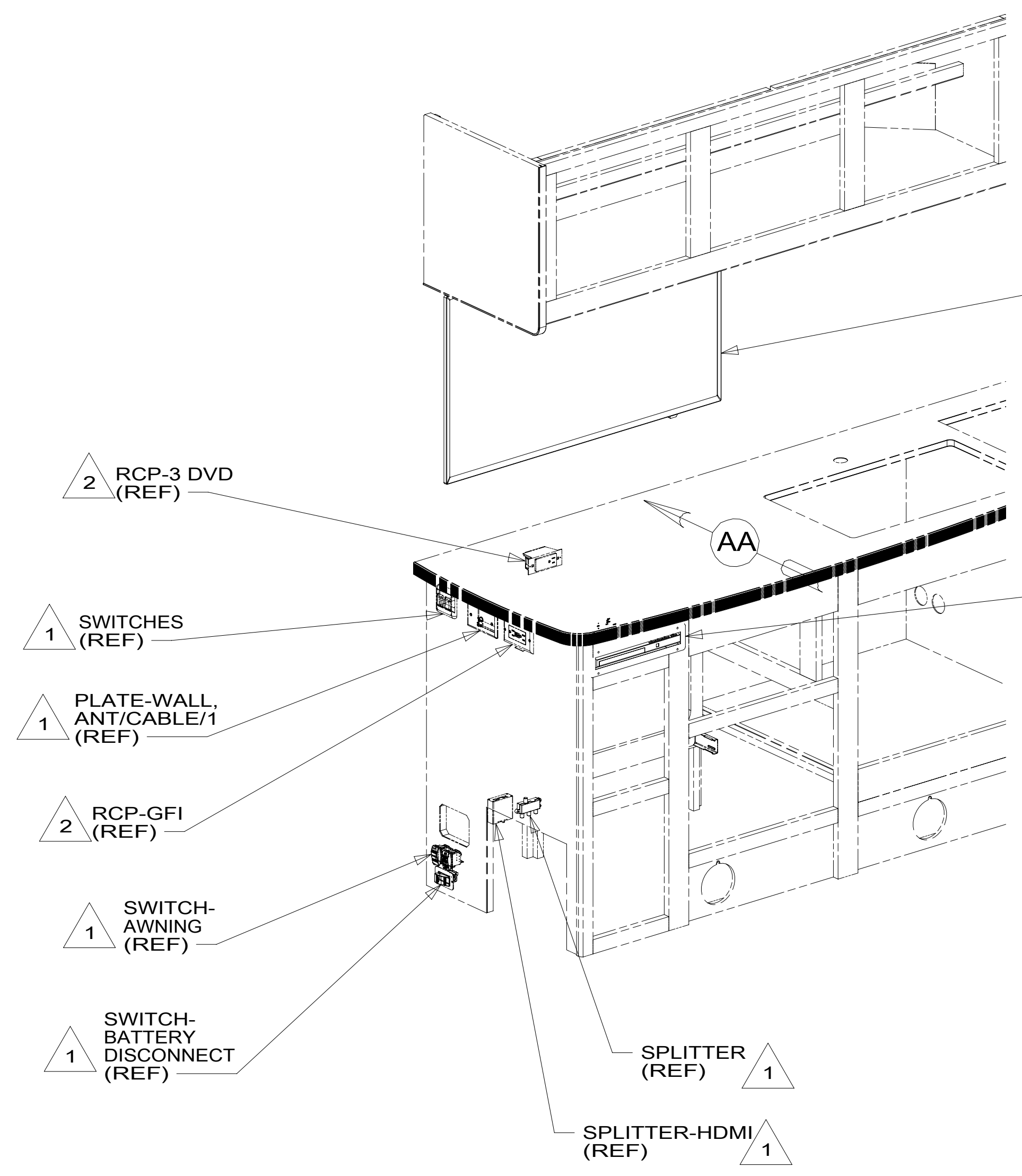


- BRACKET-MNTG, TV, 39"INSIG
000167829 / 330191-01-CHT
- SCREW
- 000G39-10-16U (3)
- CLIP-TRIM
- 130034-15-CHT
- SCREW
- 000G39-10-16U (3)

VIEW AA
(TV NOT SHOWN) 09A

C

C



- TV-32,HDTV
000125949 / 324307-01-000
- TV-39" HDTV, INSIGNIA
000167539 / 330141-01-000
- SCREW
- (SUPPLIED WITH TV)

- DVD PLAYER W/HDMI OUT
186774-01-000
- TRIM RING-RADIO
164740-05-CHT
- SCREW
- 000G67-10-12U (4)
- BRACKET-DVD PLAYER
156586-12-CHT
- SCREW
- 000G67-10-12U (4)

2 RCP-3 DVD
(REF)

1 SWITCHES
(REF)

1 PLATE-WALL,
ANT/CABLE/1
(REF)

2 RCP-GFI
(REF)

1 SWITCH-
AWNING
(REF)

1 SWITCH-
BATTERY
DISCONNECT
(REF)

SPLITTER
(REF) 1

SPLITTER-HDMI
(REF) 1

A

A

- 4 PREP BOTH SURFACES WITH ADHESIVE-PROMOTER, 087211-01-000.
- 3 TV BRACKET AND CLIP TO BE CENTERED ON OVHD CABT. MOUNT CLIP AT DIMENSION SHOWN TO TOP EDGE OF CLIP.
- 2 SEE WIRING INSTL-BODY, 110V FOR ADDITIONAL INFORMATION.
- 1 SEE WIRING INSTL-BODY, 12V FOR ADDITIONAL INFORMATION.

NOTES:

FOR ELECTRICAL
TORQUE
SPECIFICATIONS
SEE DWG NO.
128783-01-000

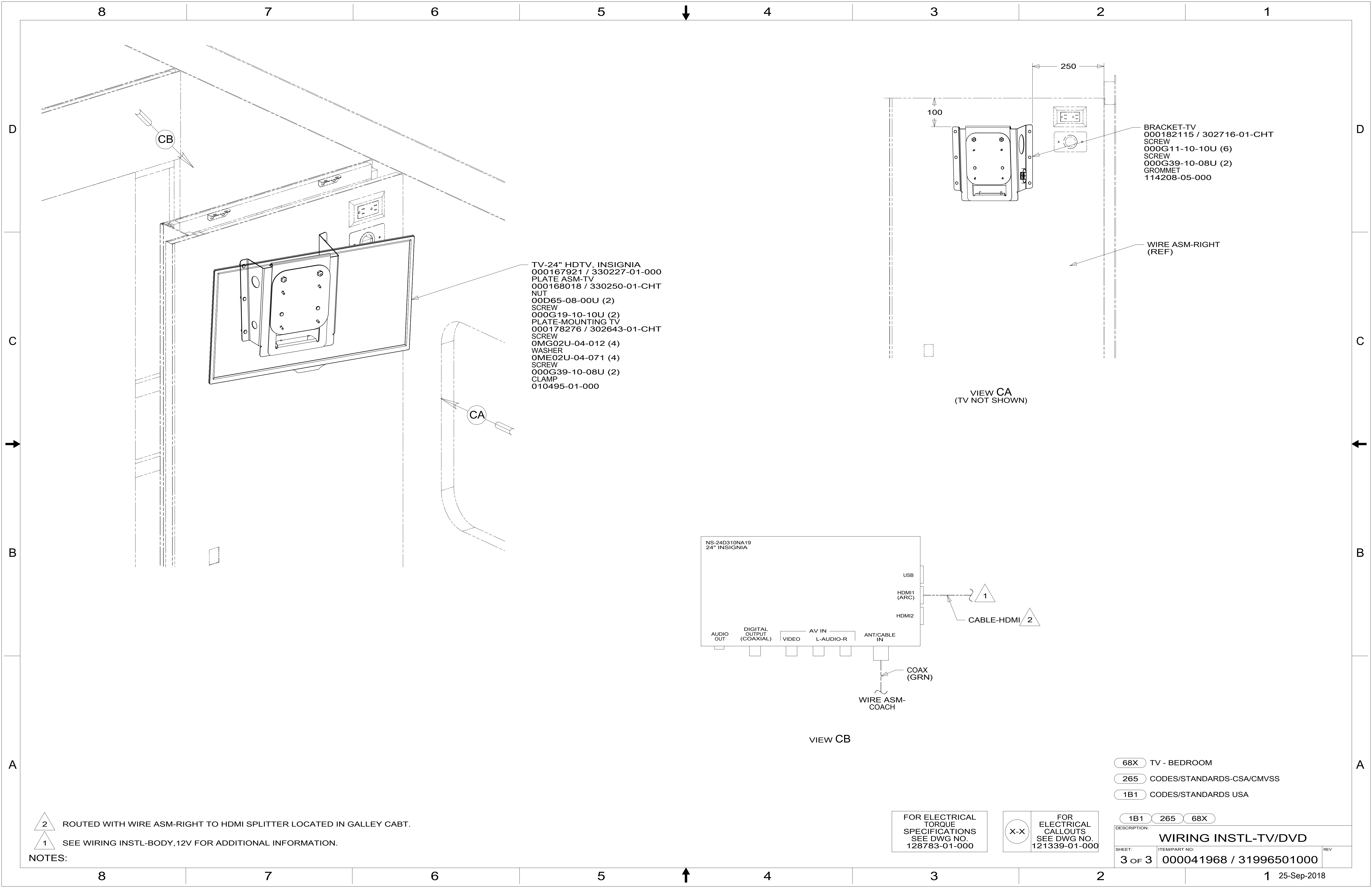
FOR ELECTRICAL
CALLOUTS
SEE DWG NO.
121339-01-000

- 093 PREMIUM PACKAGE WITHOUT
- 09A PREMIUM PACKAGE
- 265 CODES/STANDARDS-CSA/CMVSS
- 1B1 CODES/STANDARDS USA

1B1 265



DSNR:		ALL DIMENSIONS ARE IN MILLIMETERS	
DIFFR:		MATERIAL:	
UNSPECIFIED TOLERANCES:			
WHOLE DIM (X)	± 3		
ONE-PLACE (X.X)	± 1.5		
TWO-PLACE (X.XX)	± 0.50		
ANGLE	± 1°		
REFER TO ES0018 FOR FASTENER TIGHTENING GUIDELINES		WEIGHT: (LBS)	FIRST USED:
			18 331K
DESCRIPTION: WIRING INSTL-TV/DVD			
SHEET:	ITEM/PART NO.:	REV:	
1 OF 3	000041968 / 31996501000		

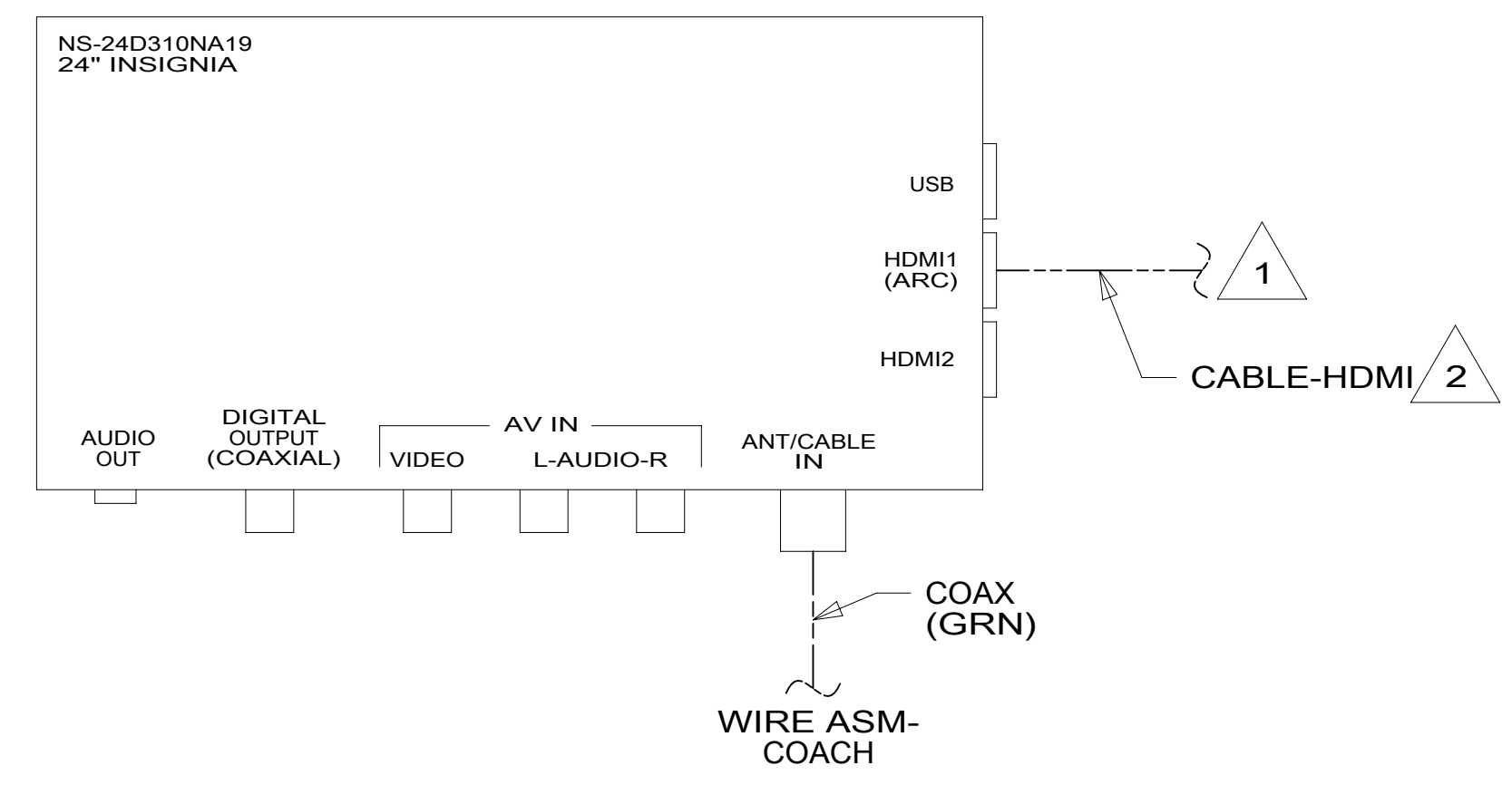


- TV-24" HDTV, INSIGNIA
 000167921 / 330227-01-000
 PLATE ASM-TV
 000168018 / 330250-01-CHT
 NUT
 00D65-08-00U (2)
 SCREW
 000G19-10-10U (2)
 PLATE-MOUNTING TV
 000178276 / 302643-01-CHT
 SCREW
 0MG02U-04-012 (4)
 WASHER
 0ME02U-04-071 (4)
 SCREW
 000G39-10-08U (2)
 CLAMP
 010495-01-000

- BRACKET-TV
 000182115 / 302716-01-CHT
 SCREW
 000G11-10-10U (6)
 SCREW
 000G39-10-08U (2)
 GROMMET
 114208-05-000

WIRE ASM-RIGHT
 (REF)

VIEW CA
 (TV NOT SHOWN)



VIEW CB

- 2 ROUTED WITH WIRE ASM-RIGHT TO HDMI SPLITTER LOCATED IN GALLEY CABT.
 1 SEE WIRING INSTL-BODY, 12V FOR ADDITIONAL INFORMATION.

NOTES:

FOR ELECTRICAL
 TORQUE
 SPECIFICATIONS
 SEE DWG NO.
 128783-01-000

FOR ELECTRICAL
 CALLOUTS
 SEE DWG NO.
 121339-01-000

- 68X TV - BEDROOM
 265 CODES/STANDARDS-CSA/CMVSS
 1B1 CODES/STANDARDS USA

DESCRIPTION: WIRING INSTL-TV/DVD		
SHEET: 3 OF 3	ITEM/PART NO: 000041968 / 31996501000	REV