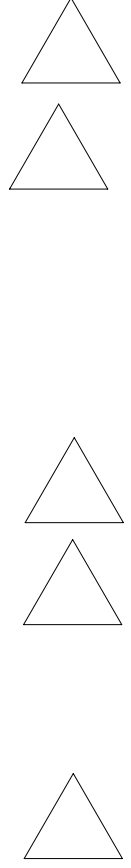


12. WHEN INSTALLING TOILET, SCRAP THE SUPPLIED LAGGING BOLTS FOR PLASTIC BRACKET TO FLOOR ONLY. USE SCREW 000G11-08-06U (2) TO LOCATE AND FASTEN STEEL BRACKET TO FLOOR. THEN FASTEN DOWN PLASTIC BRACKETS TO FLOOR USING SCREW 000G42-04-24U (2) AND SUPPLIED PLASTIC ANCHORS. PLACE TOILET OVER THE BRACKETS AND FASTEN USING SUPPLIED HARDWARE AND THEN USE WHITE CAPS TO COVER SCREWS.



- 21S WASHER & DRYER-PAIR
- 21M WASHER/DRYER PREP
- 1B1 CODES/STANDARDS USA
- 265 CODES/STANDARDS-CSA/CMVSS

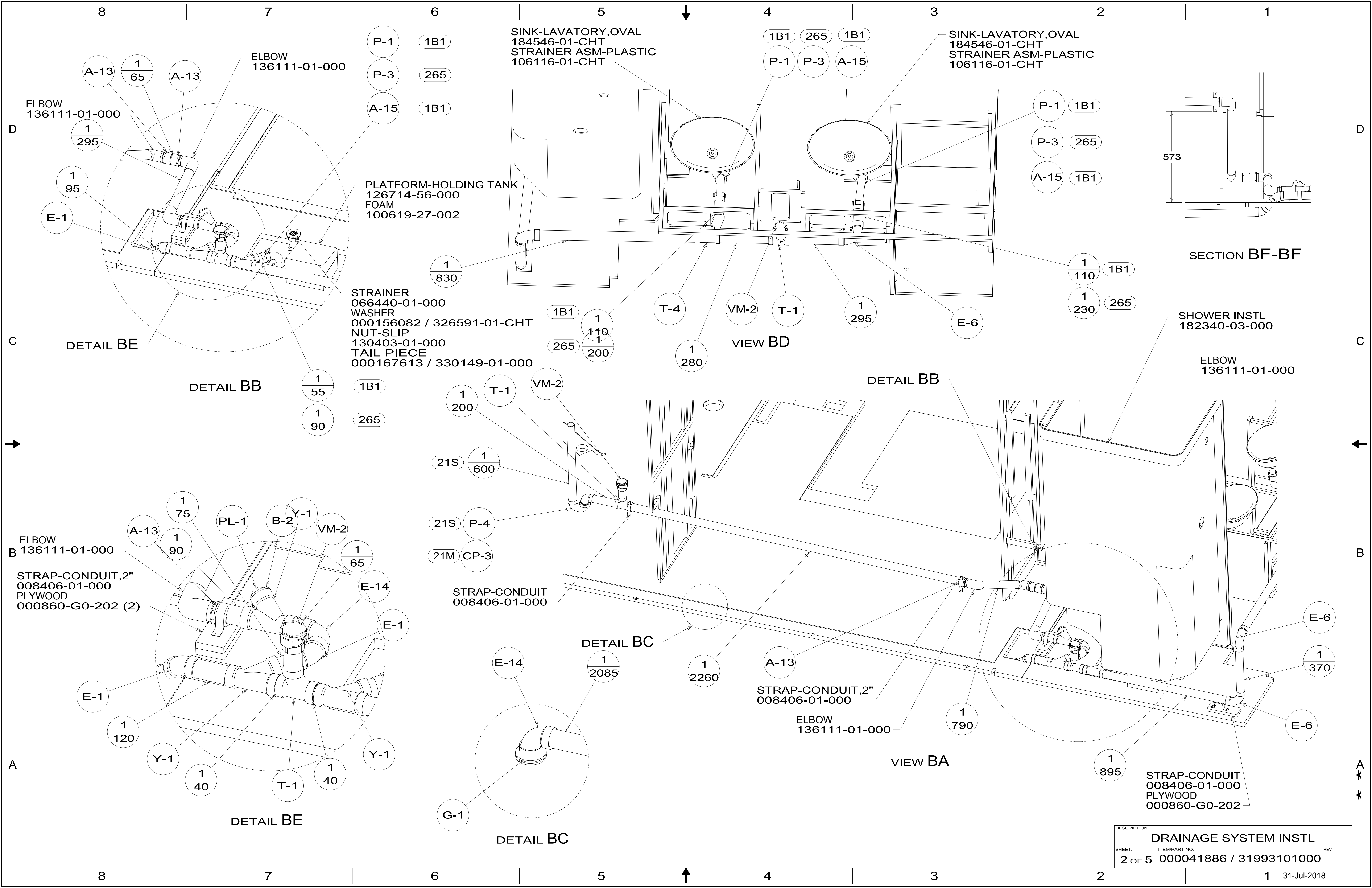


DSNR:		ALL DIMENSIONS ARE IN MILLIMETERS	
DIFTR:		⊕	
UNSPECIFIED TOLERANCES:		MATERIAL:	
WHOLE DIM (X)	3		
ONE-PLACE (X.X)	1.5		
TWO-PLACE (X.XX)	0.50		
ANGLE	1°		
REFER TO ES0018 FOR FASTENER TIGHTENING GUIDELINES		WEIGHT: (LBS)	FIRST USED: (REF)
			18 L38F
<b>DRAINAGE SYSTEM INSTL</b>			
SHEET:	ITEM/PART NO.:	REV	
1 OF 5	000041886 / 31993101000		

FOR  
DRAINAGE  
CALLOUTS  
SEE DWG NO.  
000211962 /  
303370-01-000

NOTES:

A \* \*



SINK-LAVATORY, OVAL  
184546-01-CHT  
STRAINER ASM-PLASTIC  
106116-01-CHT

SINK-LAVATORY, OVAL  
184546-01-CHT  
STRAINER ASM-PLASTIC  
106116-01-CHT

PLATFORM-HOLDING TANK  
126714-56-000  
FOAM  
100619-27-002

STRAINER  
066440-01-000  
WASHER  
000156082 / 326591-01-CHT  
NUT-SLIP  
130403-01-000  
TAIL PIECE  
000167613 / 330149-01-000

SHOWER INSTL  
182340-03-000

ELBOW  
136111-01-000

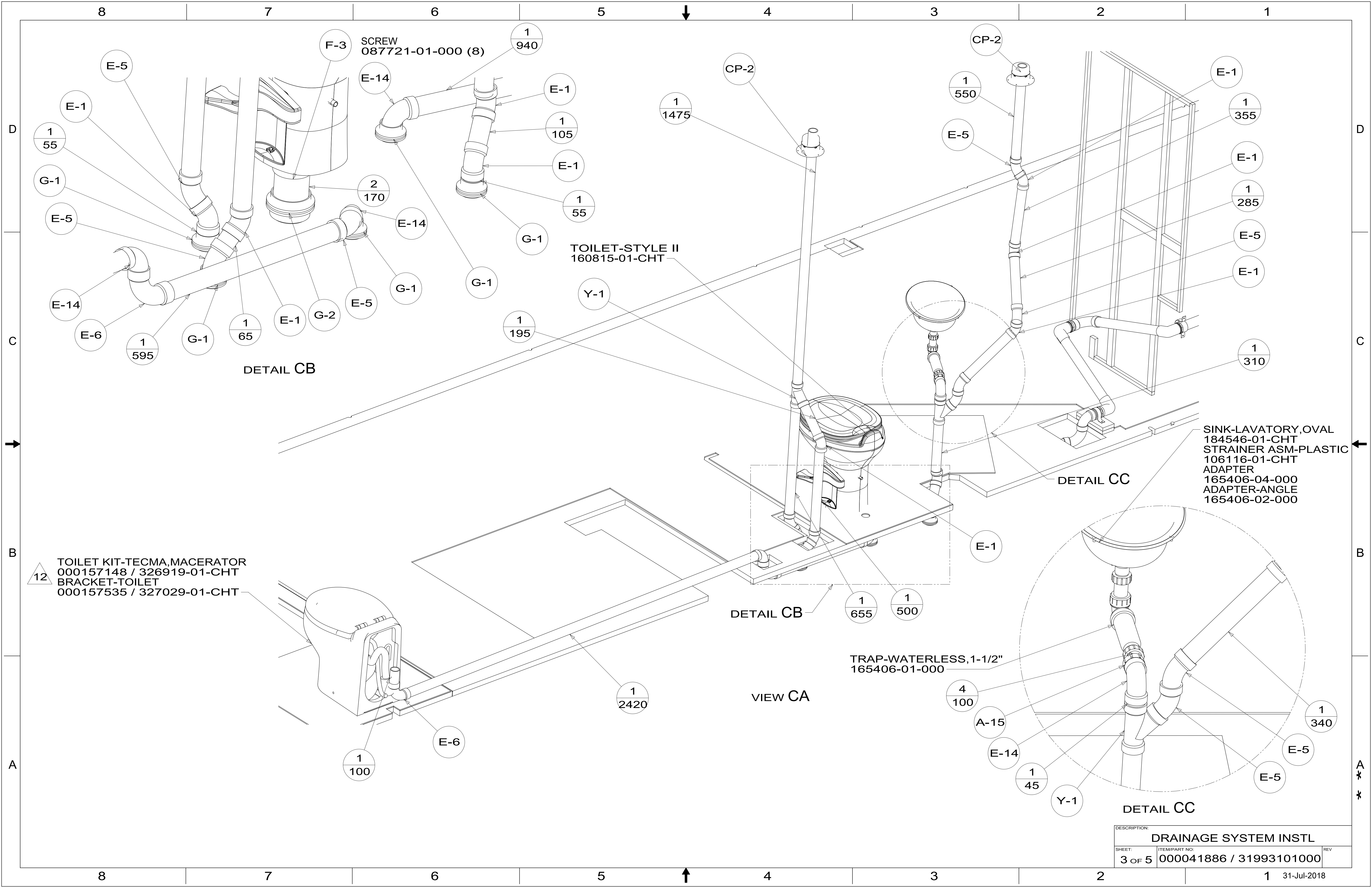
STRAP-CONDUIT  
008406-01-000

STRAP-CONDUIT, 2"  
008406-01-000

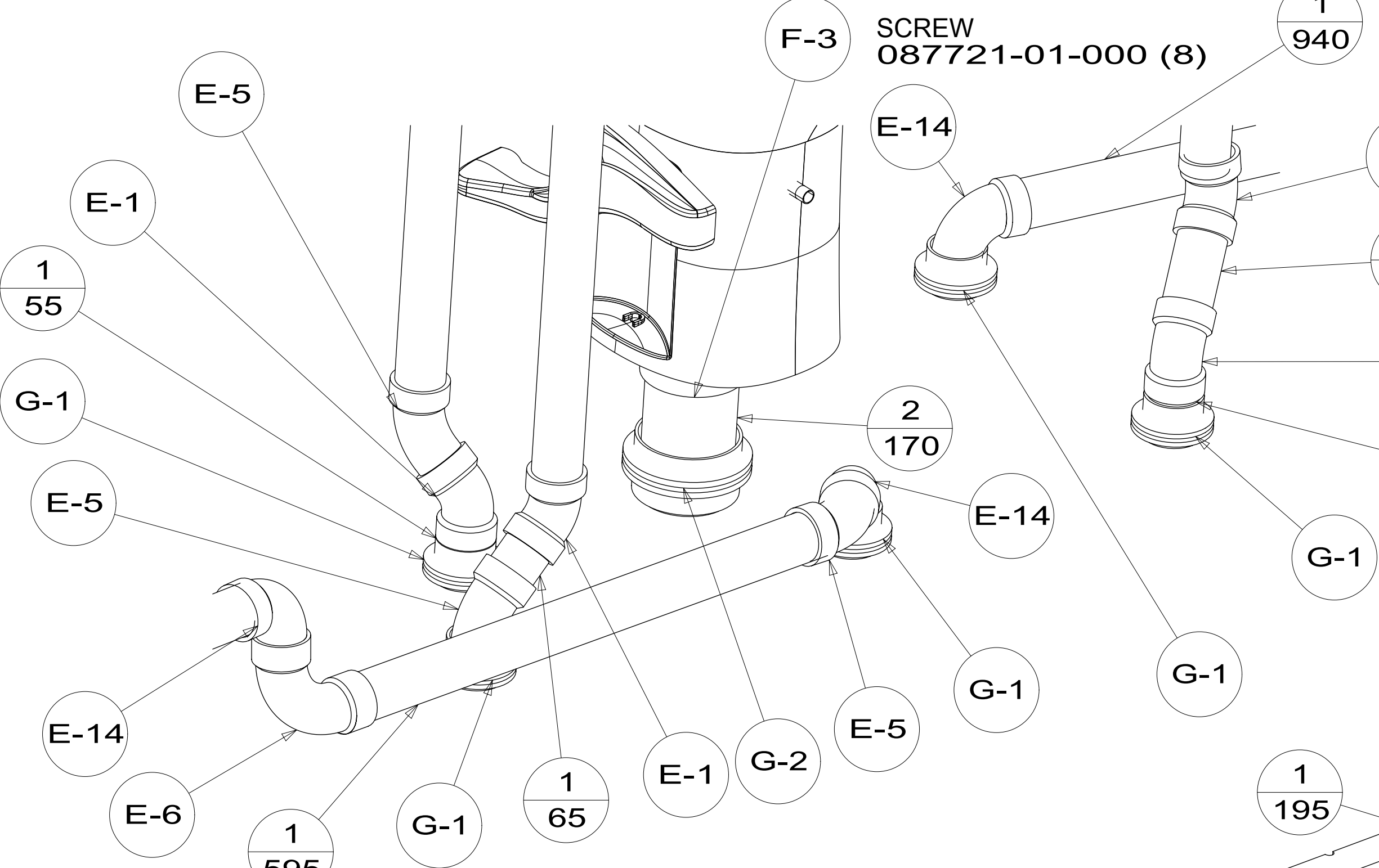
ELBOW  
136111-01-000

STRAP-CONDUIT  
008406-01-000  
PLYWOOD  
000860-G0-202

DESCRIPTION: <b>DRAINAGE SYSTEM INSTL</b>		
SHEET: 2 OF 5	ITEM/PART NO: 000041886 / 31993101000	REV



12  
TOILET KIT-TECMA,MACERATOR  
000157148 / 326919-01-CHT  
BRACKET-TOILET  
000157535 / 327029-01-CHT



TOILET-STYLE II  
160815-01-CHT

Y-1

1 195

1 2420

1 100

E-6

DETAIL CB

1 655

1 500

VIEW CA

TRAP-WATERLESS,1-1/2"  
165406-01-000

4 100

A-15

E-14

1 45

Y-1

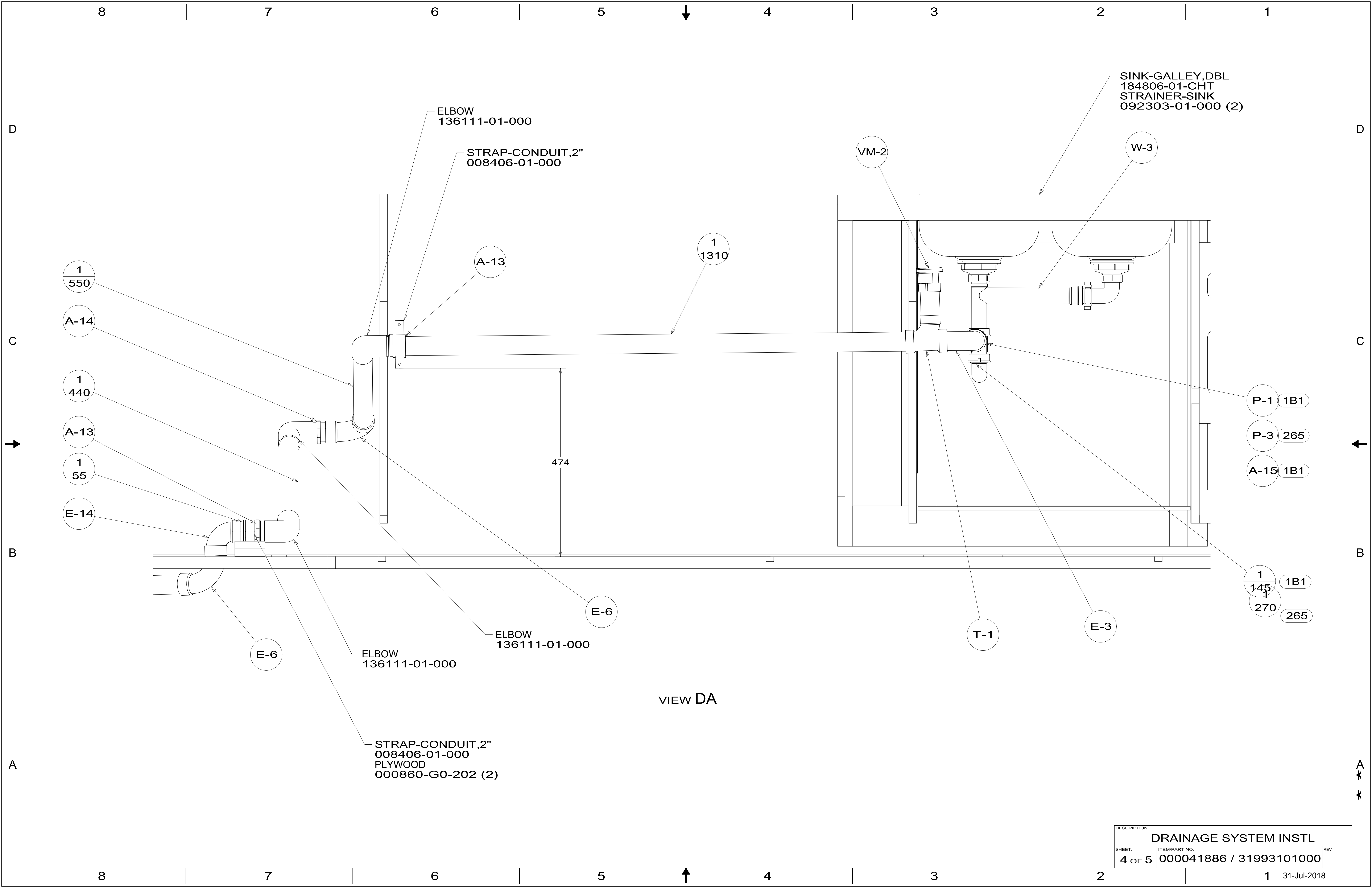
DETAIL CC

1 340

E-5

E-5

DESCRIPTION: <b>DRAINAGE SYSTEM INSTL</b>		
SHEET: 3 OF 5	ITEM/PART NO: 000041886 / 31993101000	REV
		31-Jul-2018



VIEW DA

SINK-GALLEY, DBL  
184806-01-CHT  
STRAINER-SINK  
092303-01-000 (2)

ELBOW  
136111-01-000

STRAP-CONDUIT, 2"  
008406-01-000

1  
550

A-14

1  
440

A-13

1  
55

E-14

474

E-6

ELBOW  
136111-01-000

ELBOW  
136111-01-000

STRAP-CONDUIT, 2"  
008406-01-000  
PLYWOOD  
000860-G0-202 (2)

VM-2

W-3

P-1 1B1

P-3 265

A-15 1B1

1  
145 1B1

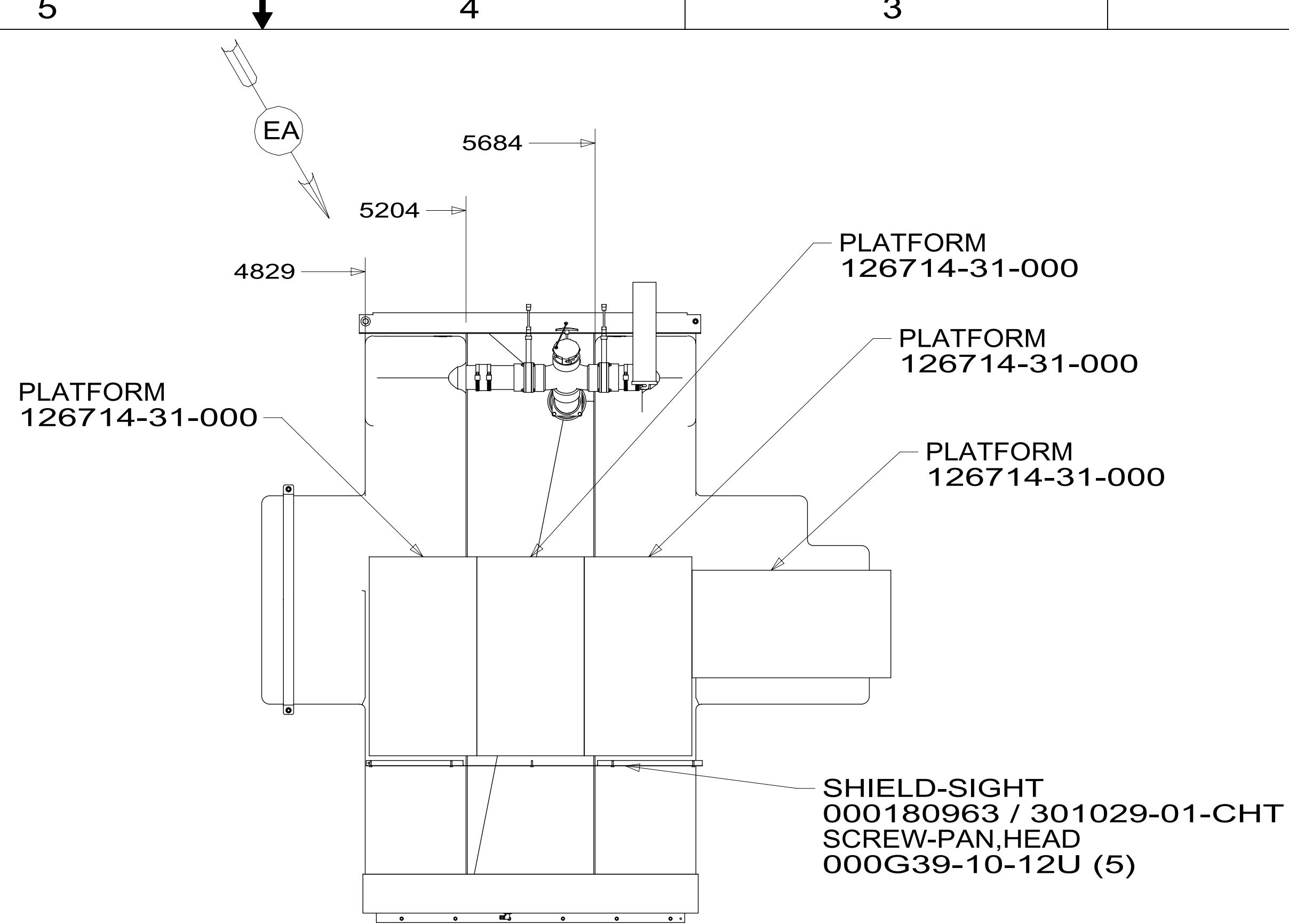
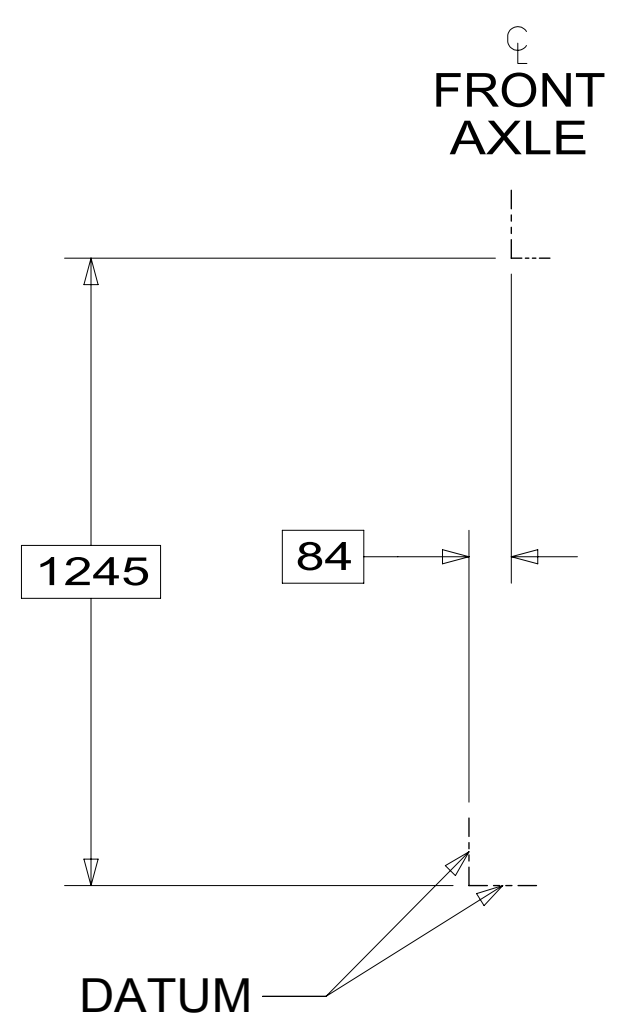
270 265

T-1

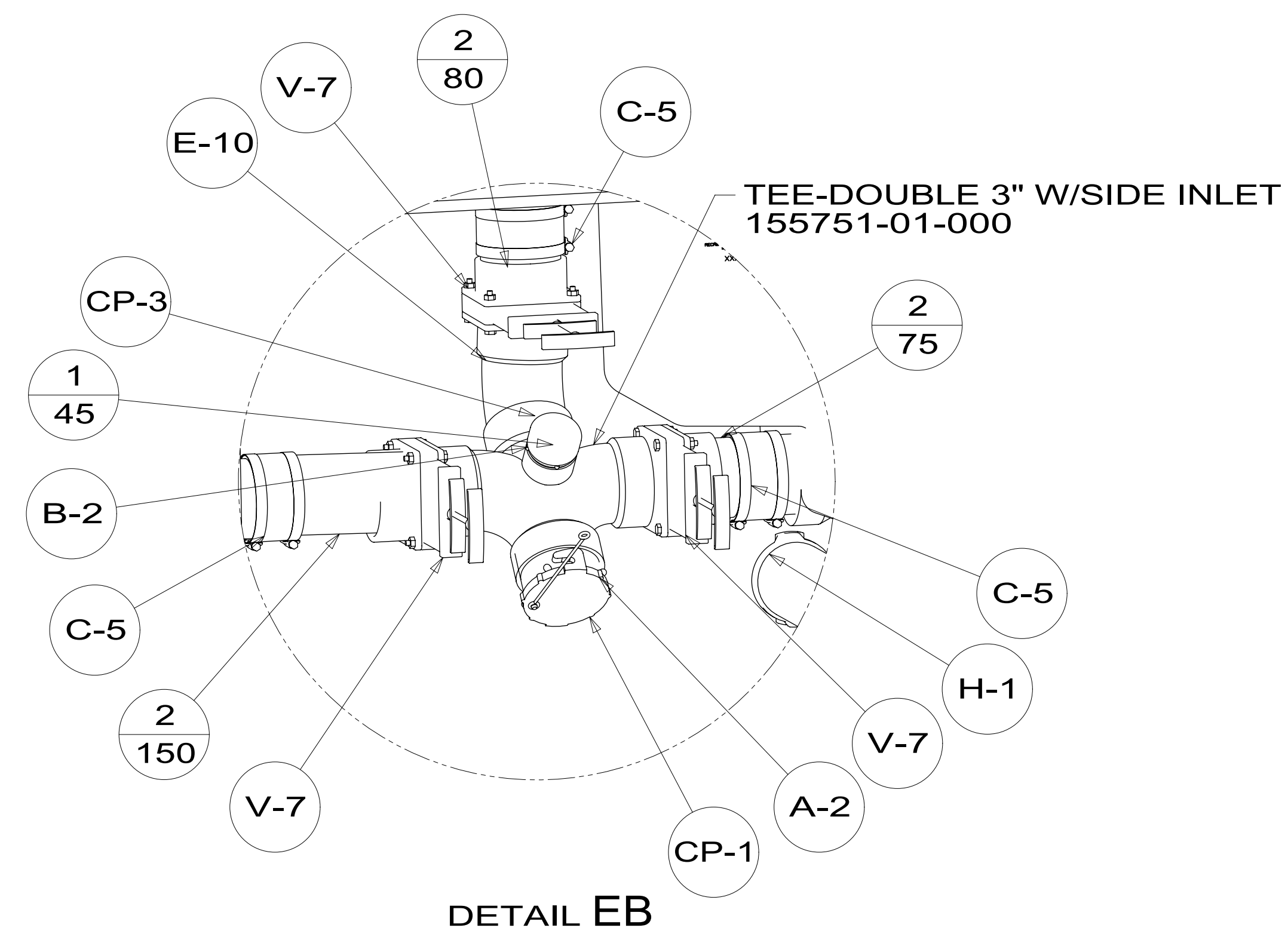
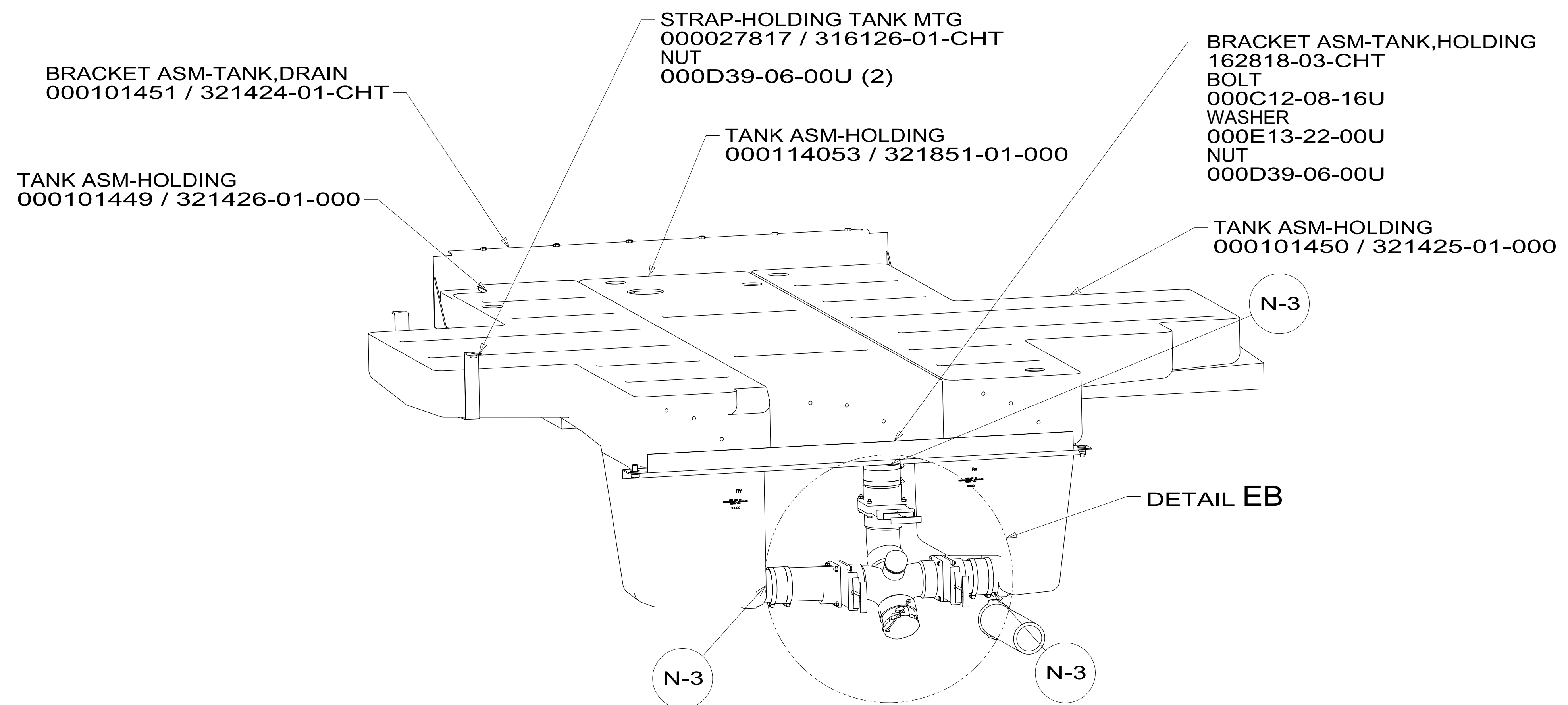
E-3

DESCRIPTION:		
DRAINAGE SYSTEM INSTL		
SHEET:	ITEM/PART NO.:	REV
4 OF 5	000041886 / 31993101000	
		31-Jul-2018

8 7 6 5 4 3 2 1



# BOTTOM VIEW SHOWING TANKS AND DRAINS



VIEW EA

DESCRIPTION: <b>DRAINAGE SYSTEM INSTL</b>		
SHEET: 5 OF 5	ITEM/PART NO: 000041886 / 31993101000	REV

8 7 6 5 4 3 2 1 31-Jul-2018