

- 13 ATTACH SEAL TO BRACE WHERE IT CONTACTS HEATER PAD.
- 12 CUT PART TO 90mm.
- 11 PREP THE SURFACE PER MANUFACTURERS INSTRUCTIONS BEFORE APPLYING THE HEATING PAD.
- 10 SEE WIRING INSTL-BODY FOR ELECTRICAL CONNECTION.
- 9. SEE DRAWING 061607 FOR INSTALLATION OF GROMMETS.
- 8. SECURE DRAINAGE PIPES TO CABINET USING WIRE TIE 108046-02-000, AND SCREW 000G67-10-12U AT INTERVALS OF NOT OF NOT MORE THAN 4 FEET APART.
- 7 SECURE VENT PIPE TO FLOOR WITH CLAMP 000156237 / 326663-02-000 (2), SCREW 000G67-10-12U (2), BRACKET 136878-01-CHT (2).
- 6 VENT PIPE MUST PROJECT 51 MIN AND 64 MAX ABOVE ROOF FOR PROPER FIT AND FUNCTION. ADD S-1 (000156099 / 326607-01-CHT SEAL-VENT PIPE) AROUND PIPE ON ROOF BEFORE VENT CAP IS INSTALLED.
- 5. SEAL AROUND SHOWER WITH SILICONE.
- 4 USE SMOOTH PLUMBERS PUTTY 167459-01-000 TO SEAL STRAINER (0.2 PER STRAINER).
- 3. ALL PIPE AND FITTINGS TO BE ASSEMBLED WITH SOLVENT 004020-01-000 (USA), 004020-02-000 (CAN)
- 2. SLOPE OF TRAP ARM MUST BE 6 PER 305 mm.
- 1. SLOPE OF HORIZONTAL PIPING TO BE MINIMUM OF 3 PER 305 mm.

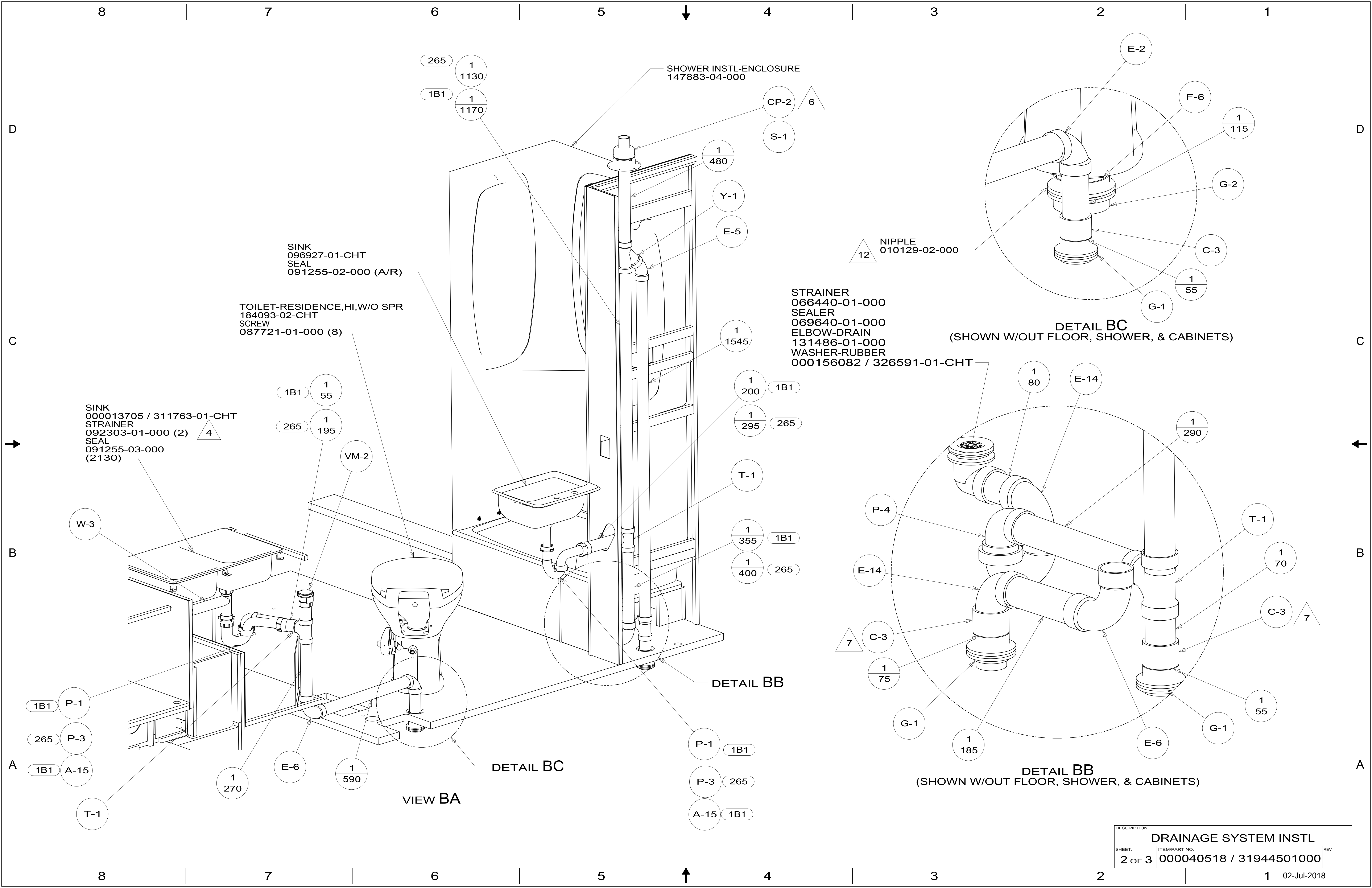
NOTES:

- 265 CODES/STANDARDS-CSA/CMVSS
- 23T DRAINAGE SYSTEM-HEATED
- 1B1 CODES/STANDARDS USA



DSNR:		ALL DIMENSIONS ARE IN MILLIMETERS	
DIFFR:			
UNSPECIFIED TOLERANCES:		MATERIAL:	
WHOLE DIM (X)	3		
ONE-PLACE (X.X)	1.5		
TWO-PLACE (X.XX)	0.50		
ANGLE	1°		
REFER TO ES0018 FOR FASTENER TIGHTENING GUIDELINES		WEIGHT: (LBS)	FIRST USED: (REF)
			18 325B
DESCRIPTION:			
DRAINAGE SYSTEM INSTL			
SHEET:	ITEM/PART NO.:	REV	
1 OF 3	000040518 / 31944501000		
REF:		1 02-Jul-2018	

FOR DRAINAGE CALLOUTS SEE DWG NO. 000211962 / 303370-01-000



SHOWER INSTL-ENCLOSURE
147883-04-000

SINK
096927-01-CHT
SEAL
091255-02-000 (A/R)

TOILET-RESIDENCE, HI, W/O SPR
184093-02-CHT
SCREW
087721-01-000 (8)

SINK
000013705 / 311763-01-CHT
STRAINER
092303-01-000 (2)
SEAL
091255-03-000
(2130)

STRAINER
066440-01-000
SEALER
069640-01-000
ELBOW-DRAIN
131486-01-000
WASHER-RUBBER
000156082 / 326591-01-CHT

DETAIL BC
(SHOWN W/OUT FLOOR, SHOWER, & CABINETS)

DETAIL BB
(SHOWN W/OUT FLOOR, SHOWER, & CABINETS)

VIEW BA

DESCRIPTION: DRAINAGE SYSTEM INSTL		
SHEET: 2 OF 3	ITEM/PART NO.: 000040518 / 31944501000	REV: 02-Jul-2018

