

8 7 6 5 4 3 2 1

D

D

C

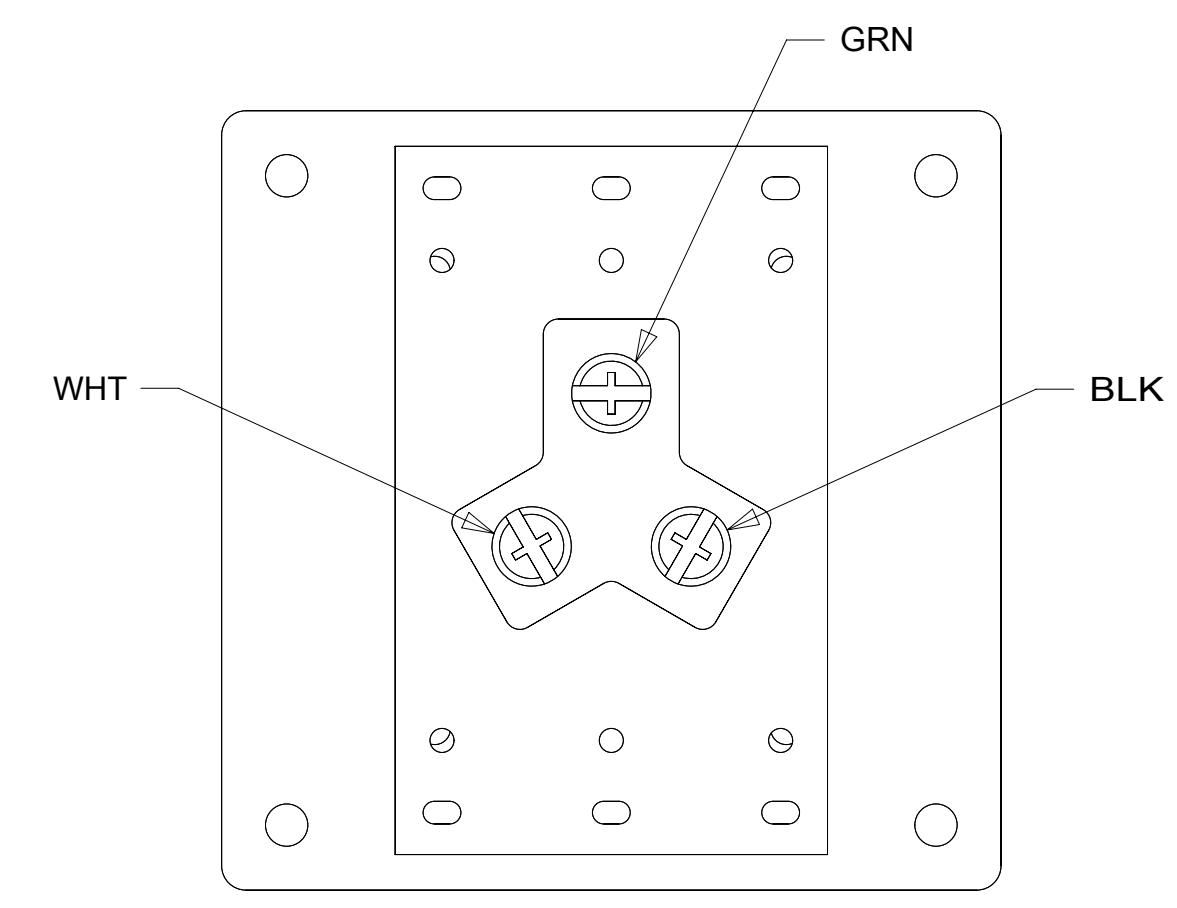
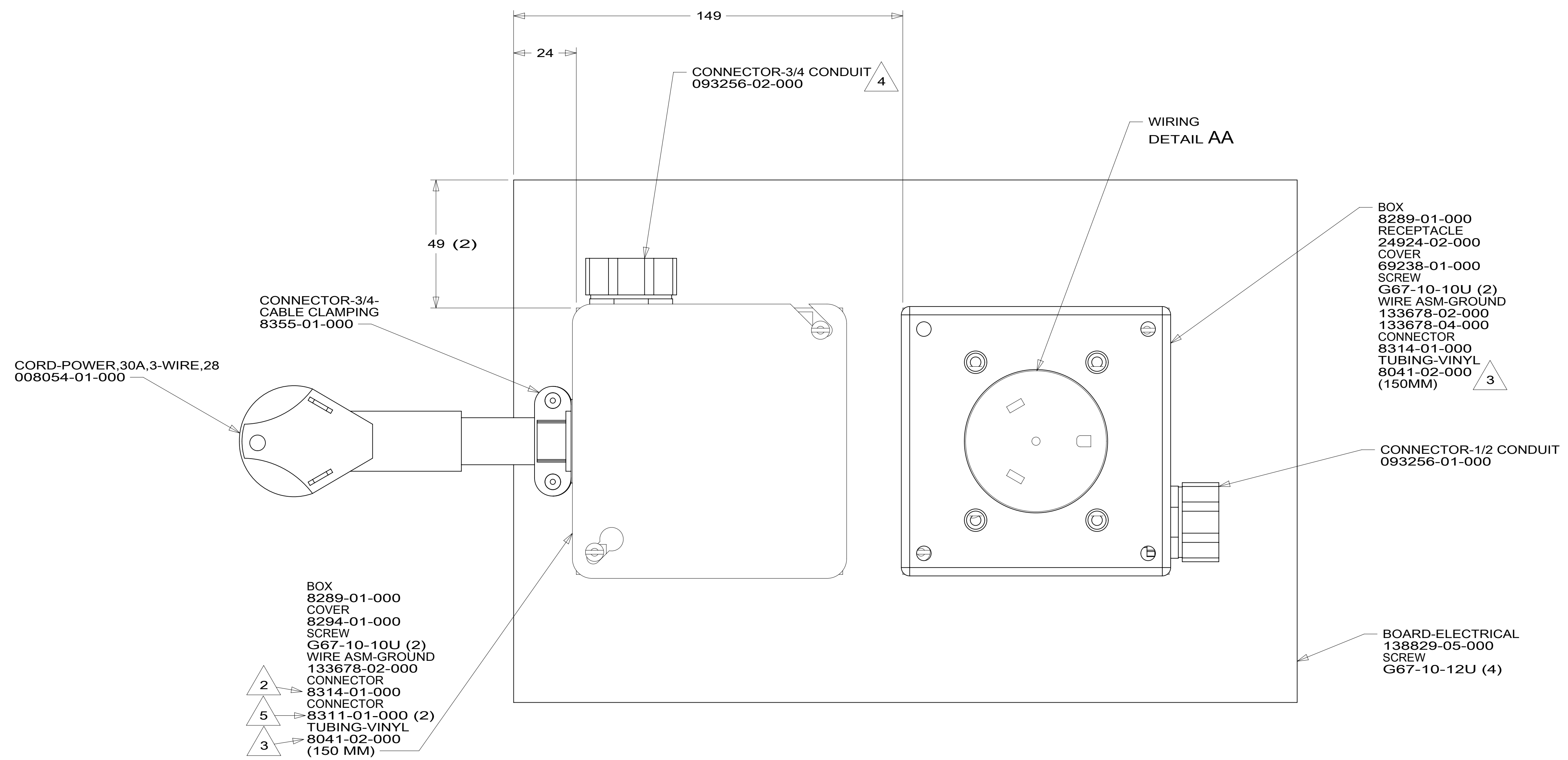
C

B

B

A

A



DETAIL AA  
(BACK VIEW)

- 5 CONNECT BLK TO BLK, WHT TO WHT.
- 4 INSTALL CONNECTOR INTO BOX. MAIN CABLE ASSEMBLY TO BE INSTALLED ON LINE.
- 3 APPLY TUBING TO BARE GROUND WIRES.
- 2 CONNECT GRNDS TO GRNDS.

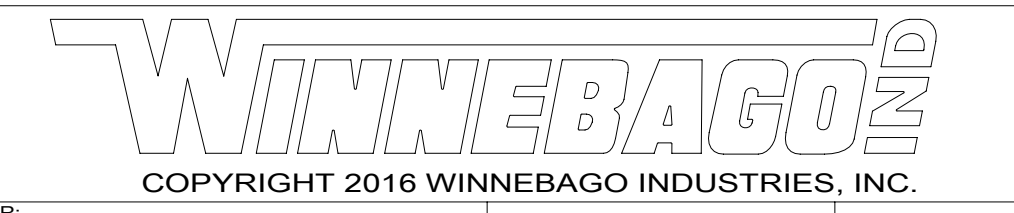
NOTES:  
1. ALL GROUND WIRES TO BE COVERED WITH TUBING 8041-02-000.

FOR ELECTRICAL  
TORQUE  
SPECIFICATIONS  
SEE DWG NO.  
128783-01-000

FOR  
ELECTRICAL  
CALLOUTS  
SEE DWG NO.  
121339-01-000

265 CODES/STANDARDS-CSA/CMVSS  
1B1 CODES/STANDARDS USA

1B1 265



DSNR:		ALL DIMENSIONS ARE IN MILLIMETERS	
DIFFR:		MATERIAL:	
UNSPECIFIED TOLERANCES:			
WHOLE DIM (X)	: 3		
ONE-PLACE (X.X)	: 1.5		
TWO-PLACE (X.XX)	: 0.50		
ANGLE	: 1°		
REFER TO ES0018 FOR FASTENER TIGHTENING GUIDELINES		WEIGHT: (LBS)	FIRST USED:
			18 V30R
DESCRIPTION: <b>POWER CORD BOX ASM</b>			
SHEET:	ITEM/PART NO.:	REV	
1 OF 1	000040479 / 31942501000		
REF:		1 06-Apr-2018	

8 7 6 5 4 3 2 1