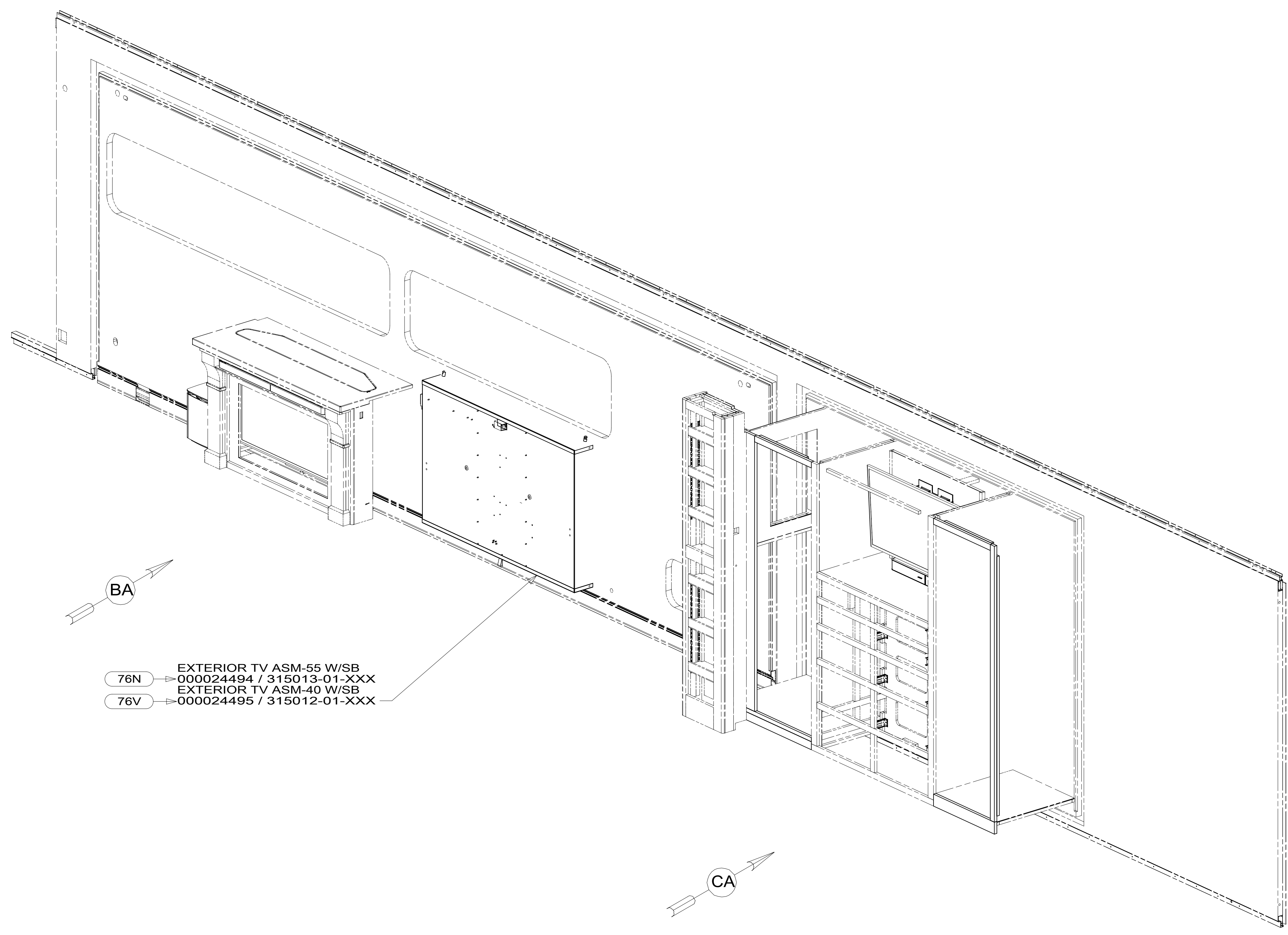


8 7 6 5 4 3 2 1

D
C
B
A



- 76N → EXTERIOR TV ASM-55 W/SB
000024494 / 315013-01-XXX
- 76V → EXTERIOR TV ASM-40 W/SB
000024495 / 315012-01-XXX

- 76V → EXT ENT CTR W/TV & SOUNDBAR
- 76N → EXT ENTERTAIN CTR-UPGRADE
- 265 → CODES/STANDARDS-CSA/CMVSS
- 1B1 → CODES/STANDARDS USA



DSNR:	ALL DIMENSIONS ARE IN MILLIMETERS	
DIFFR:	MATERIAL:	
UNSPECIFIED TOLERANCES:		
WHOLE DIM (X) :	3	
ONE-PLACE (X.X) :	1.5	
TWO-PLACE (X.XX) :	0.50	
ANGLE :	1°	
REFER TO ES0018 FOR FASTENER TIGHTENING GUIDELINES	WEIGHT: (LBS)	FIRST USED: 18 R45DL

FOR ELECTRICAL TORQUE SPECIFICATIONS SEE DWG NO. 128783-01-000

FOR ELECTRICAL CALLOUTS SEE DWG NO. 121339-01-000

DESCRIPTION: WIRING INSTL-A/V, COACH		
SHEET: 1 OF 3	ITEM/PART NO: 000040235 / 31944201000	REV
REF:	1	03-Jan-2018

8 7 6 5 4 3 2 1

8 7 6 5 4 3 2 1

INDICATES COMPONENTS TO BE DETERMINED

SWITCH-LEAF
056264-01-000
SCREW
G18-04-10U (2)
NUT
D27-04-00U (2)
ANGLE-FORMED
000033690 / 317615-01-CHT
SCREW
G67-10-12U (2)
DETAIL BC

TV-50 UHD, SMART, WIFI
000120793 / 322839-01-000
BOLT
OMC31K-08-025 (4)
WASHER
156569-01-CNT (4)
SCREW
000G39-10-12U (2)
(BRACKET TO BRACKET)

SPEAKER-SOUNDBAR
000033202 / 318183-01-000
FASTENER-DUAL LOCK
085774-01-000 (120 MM) (2)
FASTENER-DUAL LOCK
085774-02-000 (120 MM) (2)
SPEAKER-SUBWOOFER
000033205 / 318182-01-000

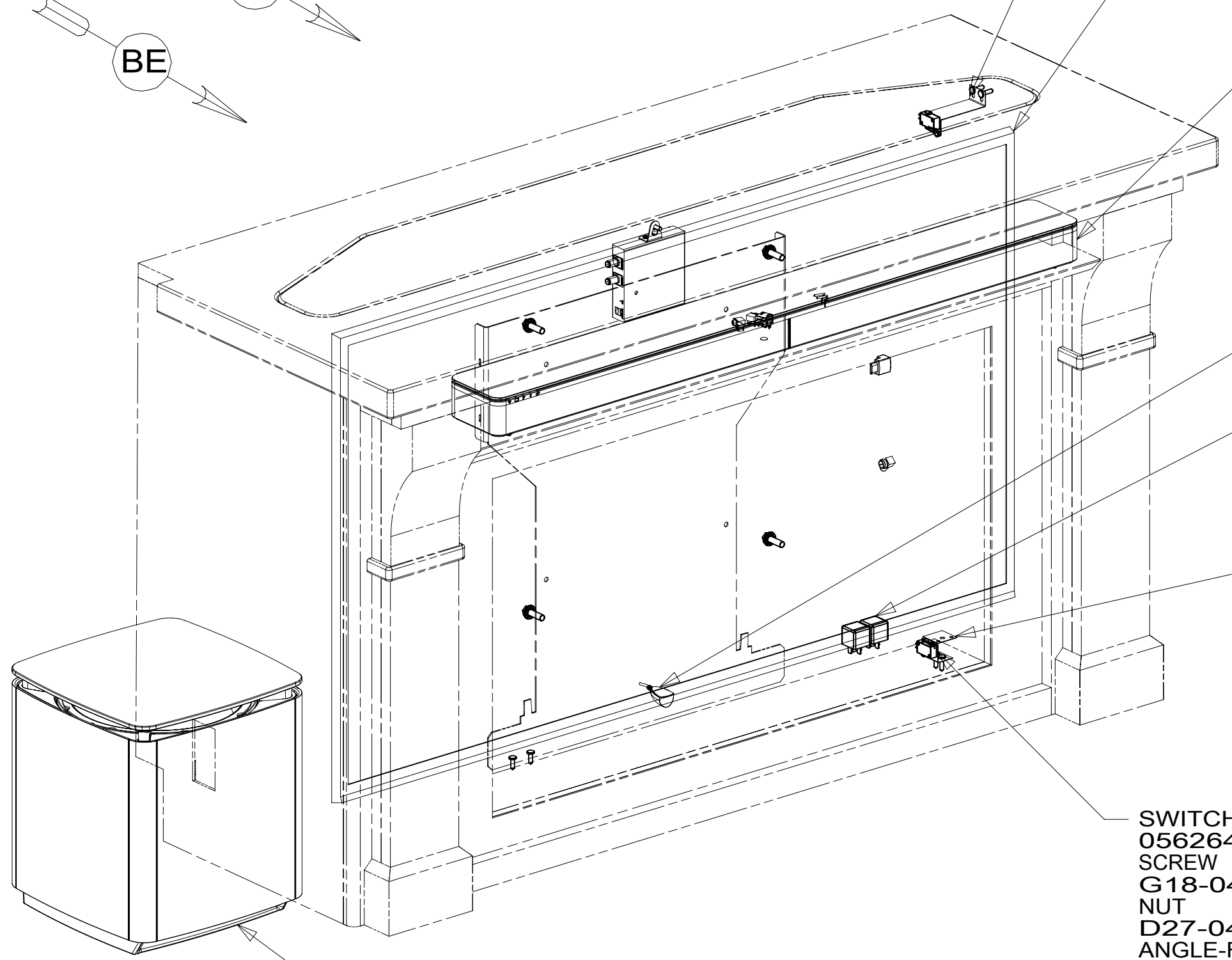
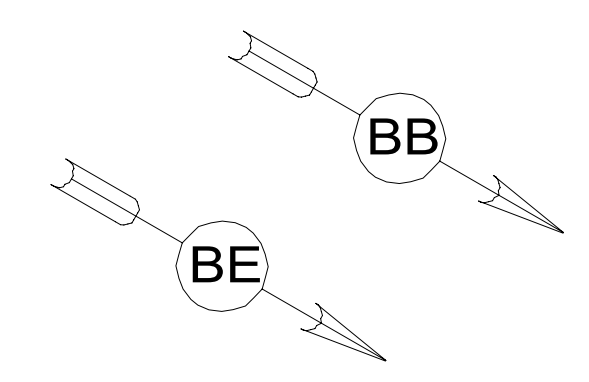
MATRIX-HDMI, IR RECEIVER, SURFACE MOUNT
000014920 / 311988-01-000

RELAY-TV LIFT
063912-02-000 (2)
SCREW
G67-10-10U (2)

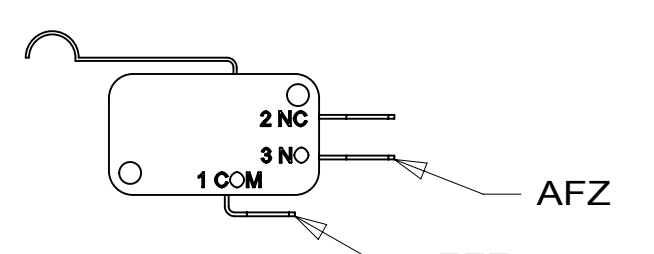
PLATE-W/HOLES
000033702 / 317614-01-CHT

SWITCH-LEAF
056264-01-000
SCREW
G18-04-10U (2)
NUT
D27-04-00U (2)
ANGLE-FORMED
177419-01-CHT
SCREW
G67-10-12U (2)
DETAIL BD

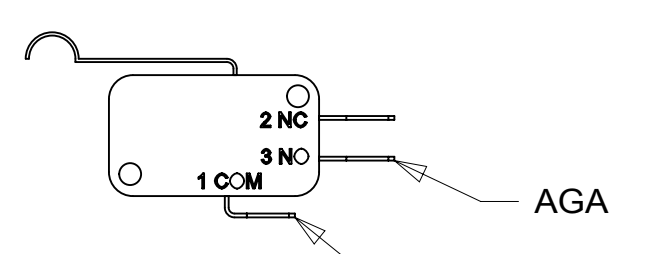
MATRIX-HDMI, BALUN, COAX
000014919 / 311989-01-000
ANGLE-FORMED
000024078 / 314919-01-CHT
SCREW
OMG02U-03-008 (2)
SCREW
000G39-10-08U



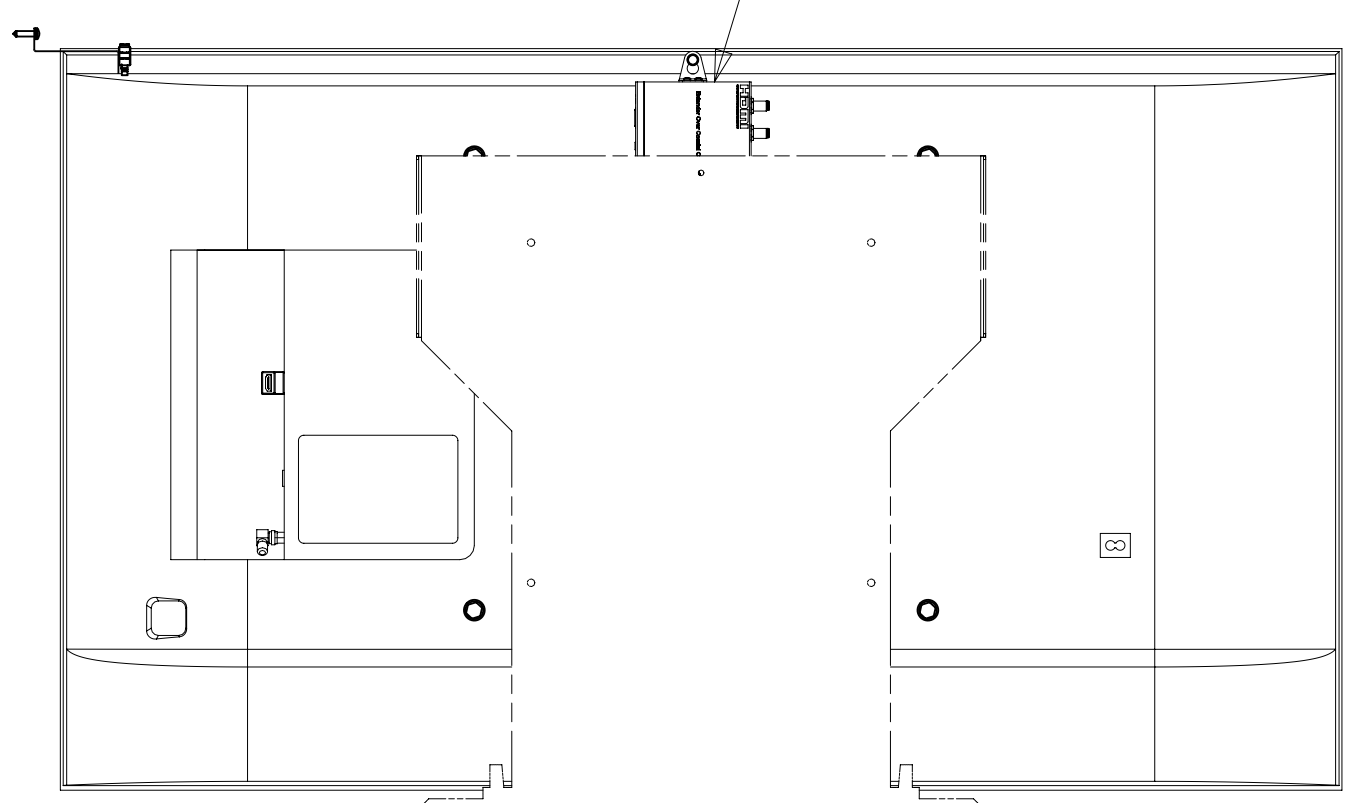
VIEW BA



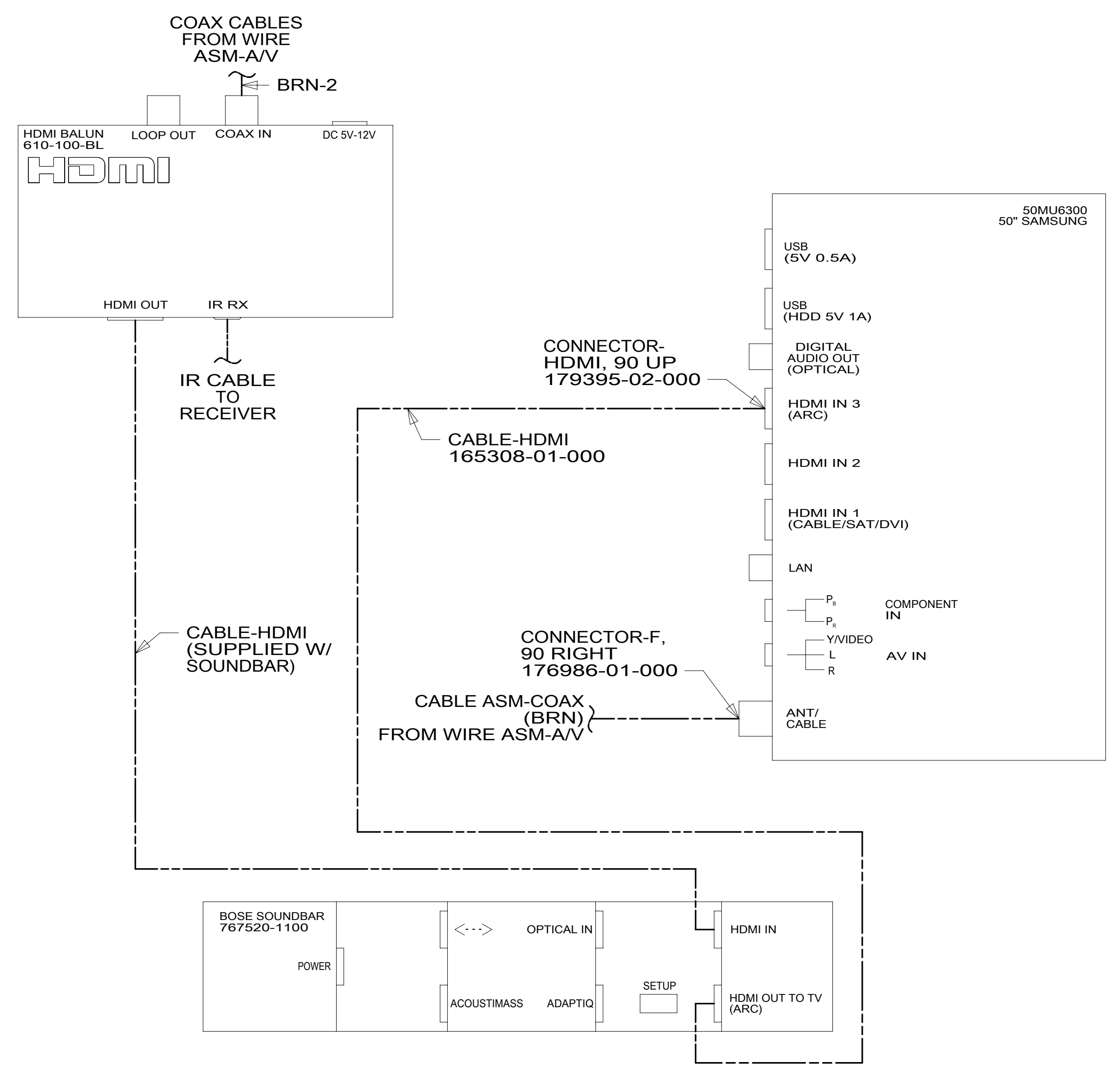
DETAIL BC



DETAIL BD



VIEW BE



VIEW BB 25Y

- NOTES:
- 3 ATTACH TO TUBE TO ACTUATE SWITCHES.
 - 2 MOUNT SWITCH AND ANGLE SO THAT THE SWITCH DISABLES TV LIFT AT END OF TRAVEL
 - 1 SUBWOOFER SHIPS WITH UNIT IN ORIGINAL MFG PACKAGING.

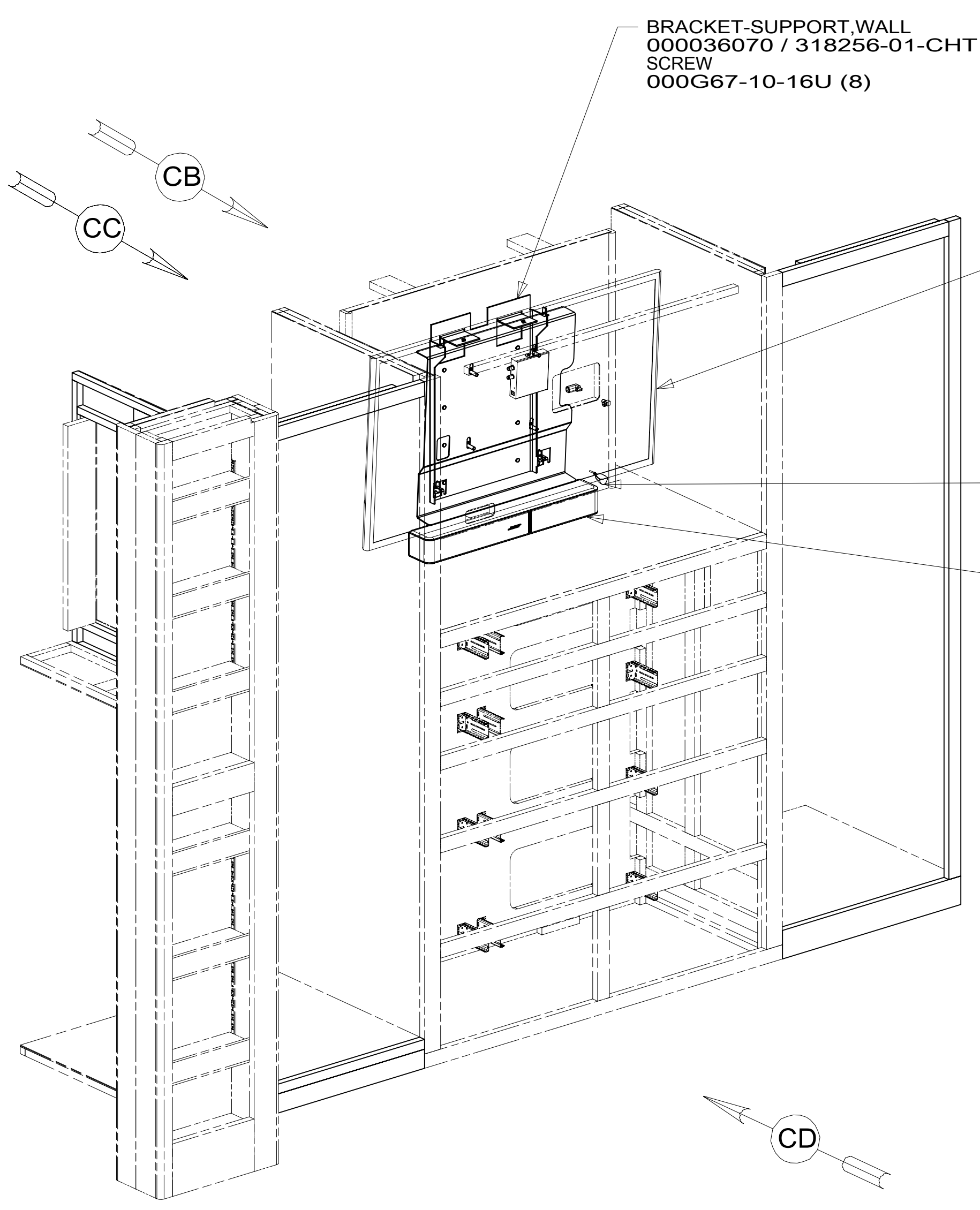
FOR ELECTRICAL TORQUE SPECIFICATIONS SEE DWG NO. 128783-01-000

FOR ELECTRICAL CALLOUTS SEE DWG NO. 121339-01-000

- 25Y HOMETHEATER SOUNDBAR SYS-PRM
- 265 CODES/STANDARDS-CSA/CMVSS
- 1B1 CODES/STANDARDS USA

DESCRIPTION:		1B1 265	
WIRING INSTL-A/V, COACH			
SHEET:	ITEM/PART NO.:	REV:	
2 OF 3	000040235 / 31944201000		

8 7 6 5 4 3 2 1 03-Jan-2018



BRACKET-SUPPORT.WALL
000036070 / 318256-01-CHT
SCREW
000G67-10-16U (8)

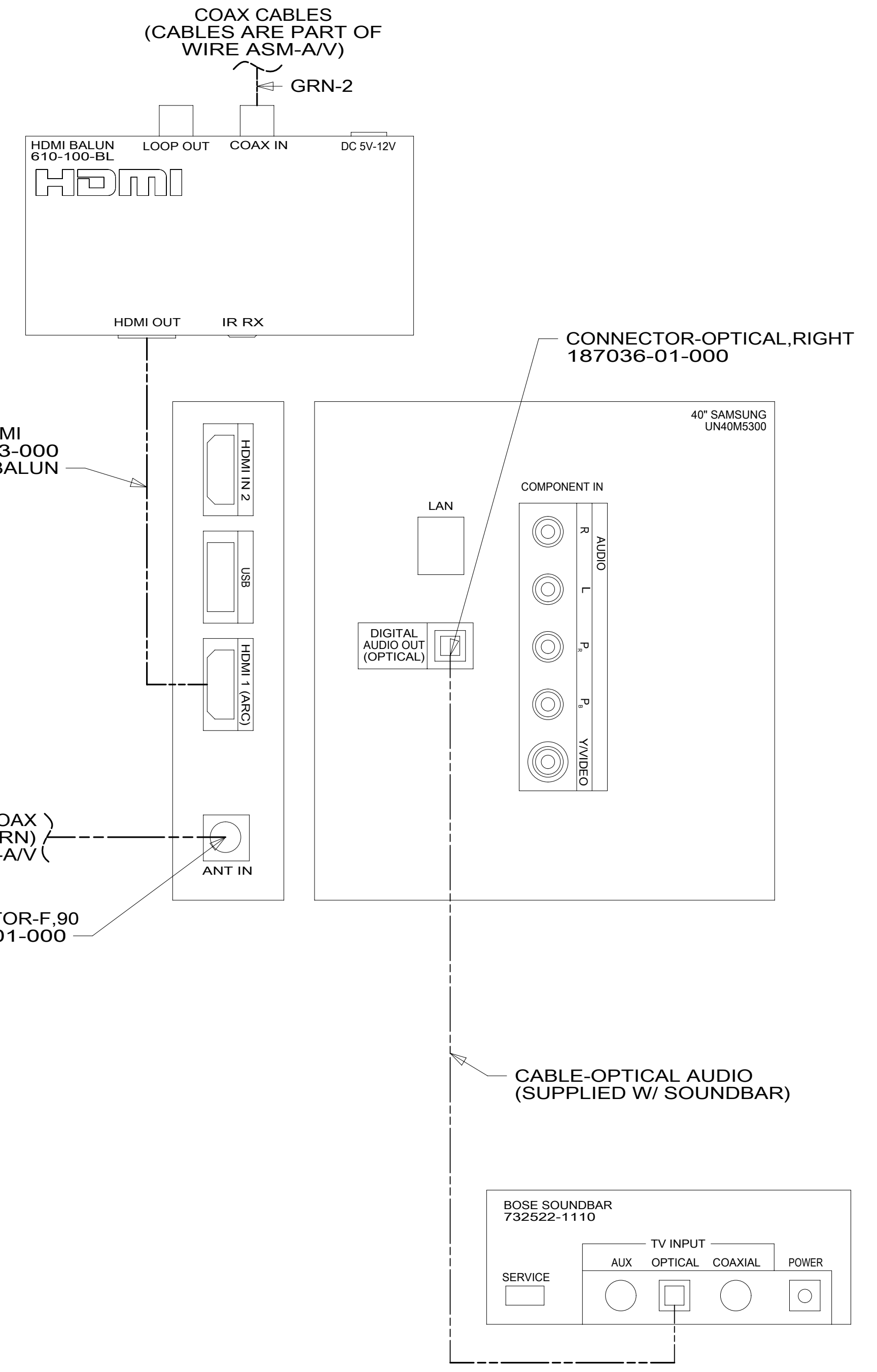
TV-40" 1080P, SMART
000157104 / 326907-01-000
BRACKET-MNTNG, TV, 40"SAMSUNG
000036071 / 318447-01-CHT
BOLT
0MG31K-08-025 (4)
WASHER
156569-01-CHT (4)
SCREW
000G39-08-12U (2)

MATRIX-HDMI, IR RECEIVER, SURFACE MOUNT
000014920 / 311988-01-000

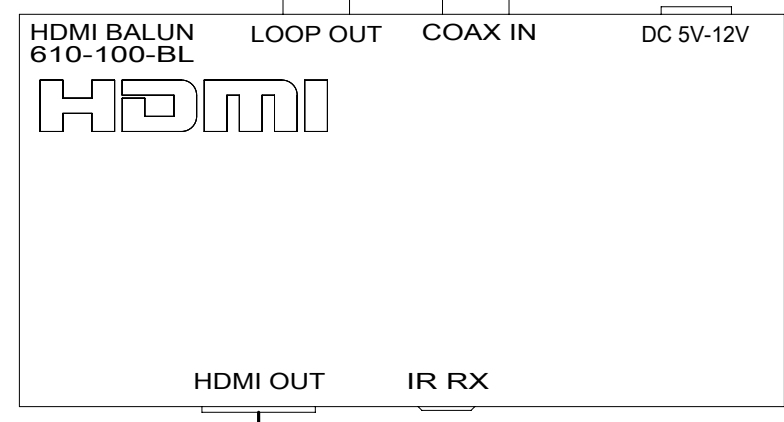
SPEAKER-SOUNDBAR, NO SUB
000035923 / 318181-01-000
FASTENER-DUAL
085774-01-000 (200 MM)(2)
085774-02-000 (200 MM)(2)

25Y

VIEW CA



COAX CABLES
(CABLES ARE PART OF
WIRE ASM-A/V)



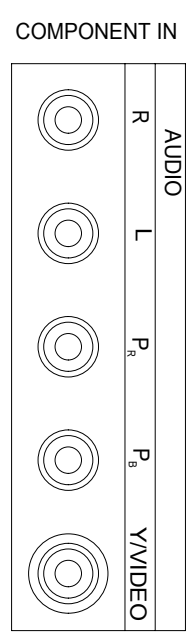
CABLE-HDMI
165308-03-000
TO HDMI BALUN

CABLE ASM-COAX
(GRN)
FROM WIRE ASM-A/V

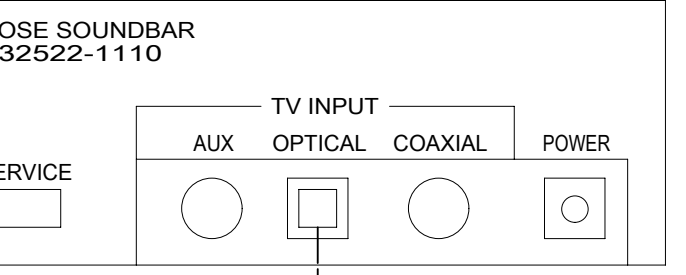
CONNECTOR-F,90
176986-01-000

CONNECTOR-OPTICAL,RIGHT
187036-01-000

40" SAMSUNG
UN40M5300

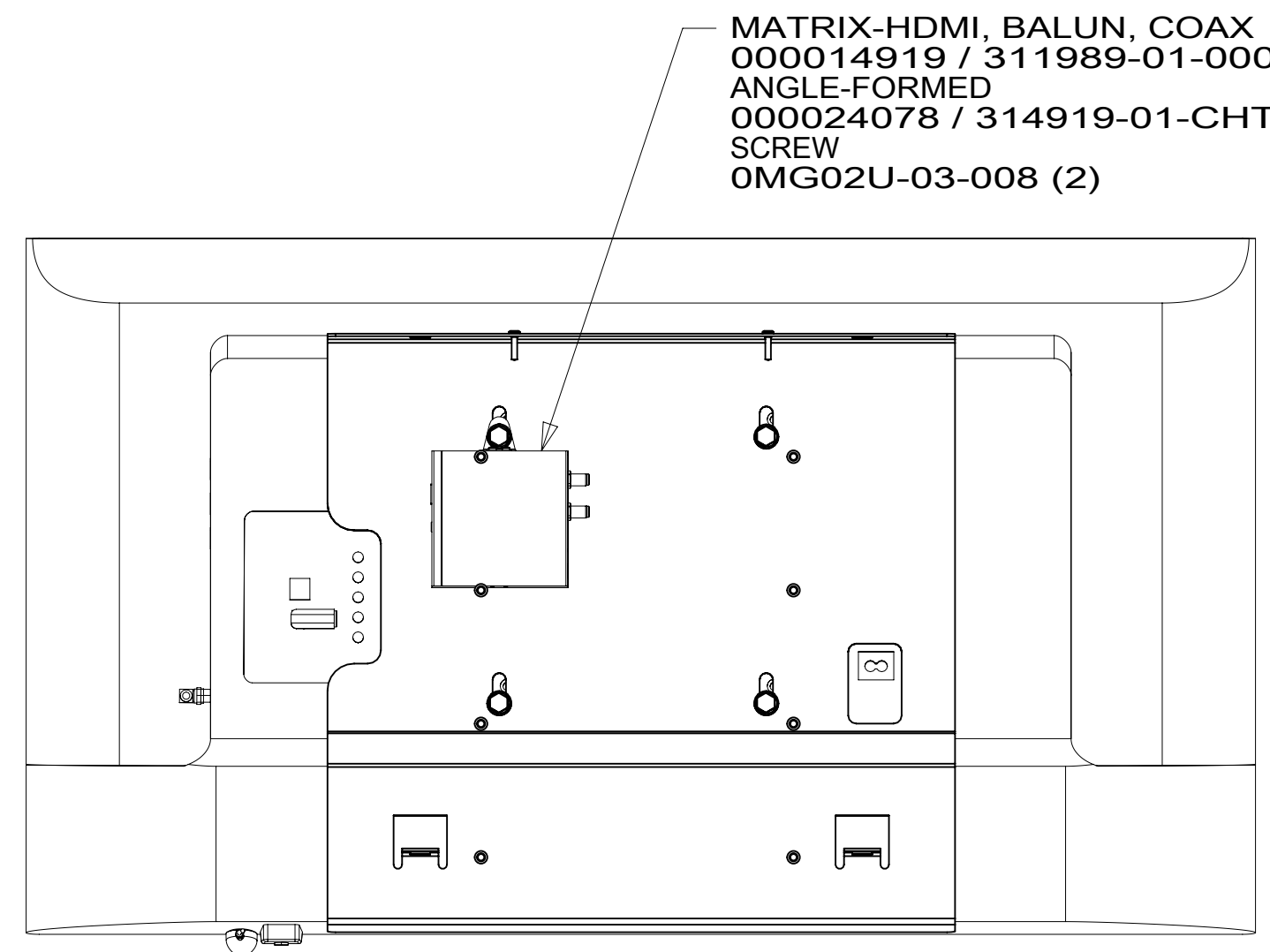


DIGITAL
AUDIO OUT
(OPTICAL)



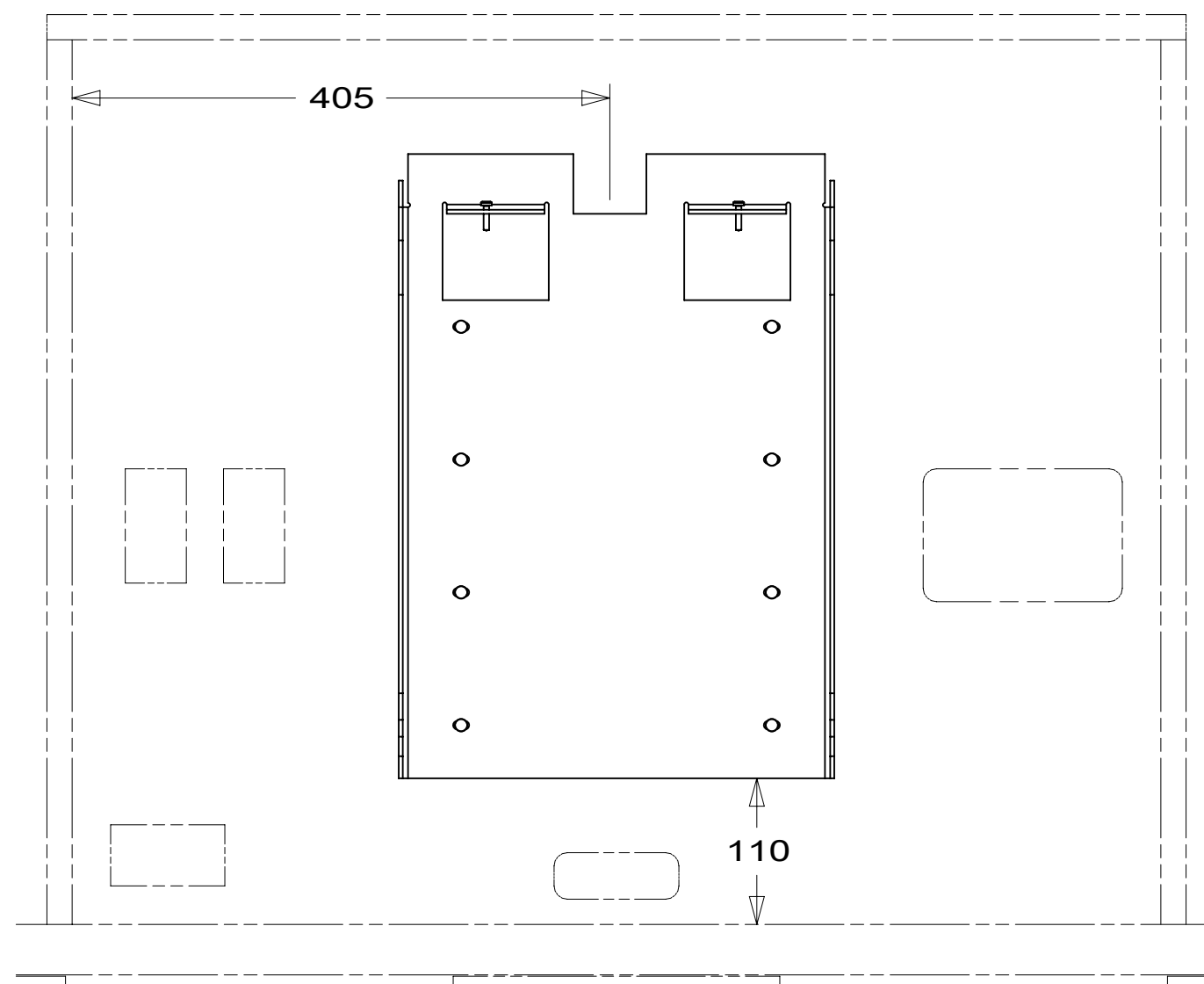
CABLE-OPTICAL AUDIO
(SUPPLIED W/ SOUNDBAR)

VIEW CB 25Y



MATRIX-HDMI, BALUN, COAX
000014919 / 311989-01-000
ANGLE-FORMED
000024078 / 314919-01-CHT
SCREW
0MG02U-03-008 (2)

VIEW CC



VIEW CD
(TV NOT SHOWN)

FOR ELECTRICAL
TORQUE
SPECIFICATIONS
SEE DWG NO.
128783-01-000

FOR
ELECTRICAL
CALLOUTS
SEE DWG NO.
121339-01-000

- 25Y HOMETHEATER SOUNDBAR SYS-PRM
- 265 CODES/STANDARDS-CSA/CMVSS
- 1B1 CODES/STANDARDS USA

DESCRIPTION: WIRING INSTL-A/V, COACH	
SHEET: 3 OF 3	ITEM/PART NO: 000040235 / 31944201000
REV 03-Jan-2018	