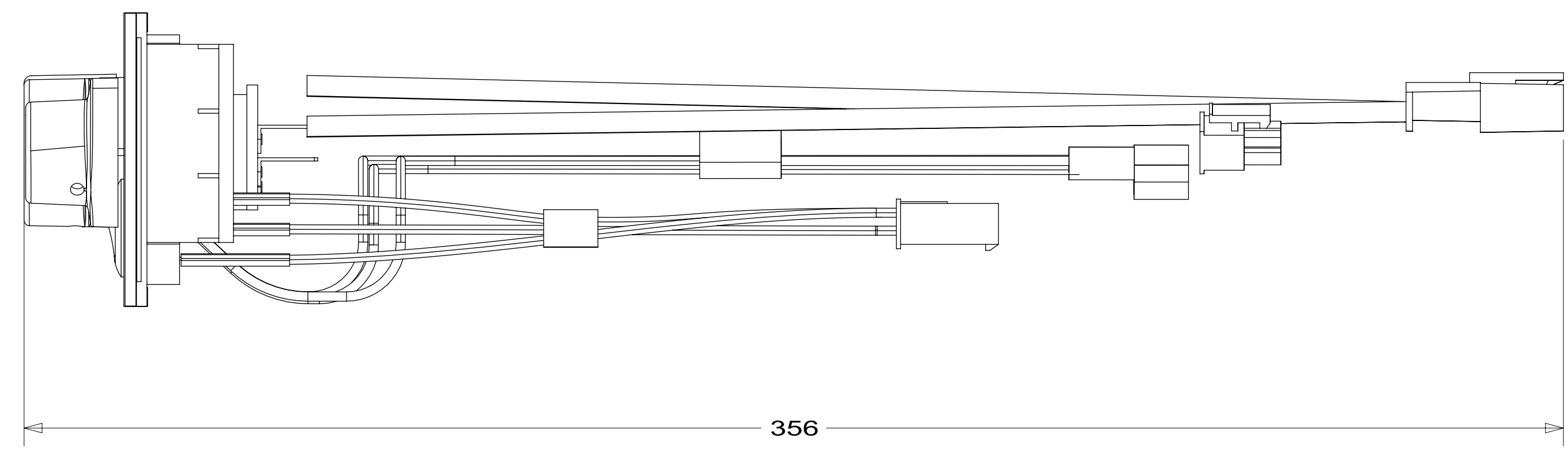
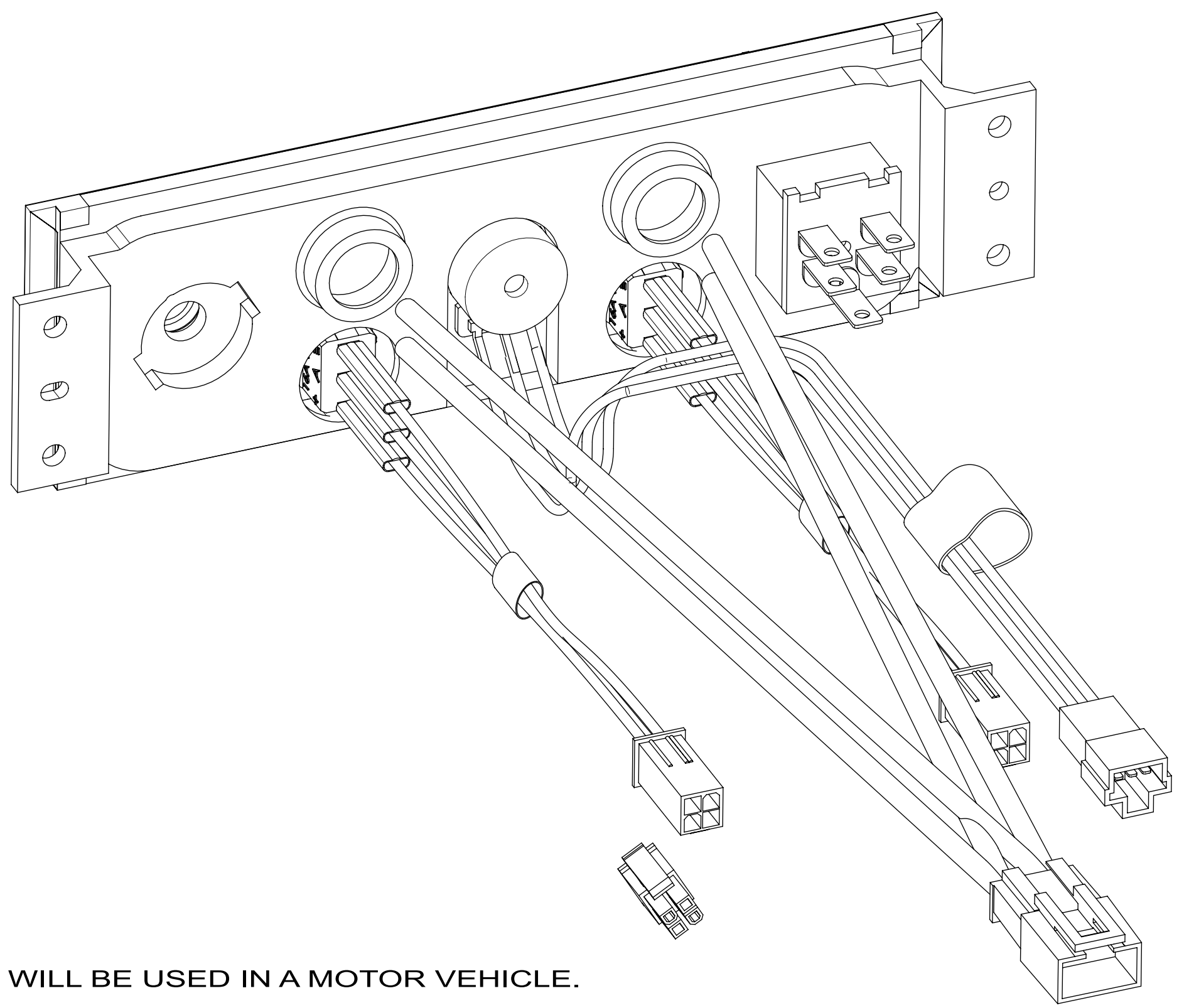
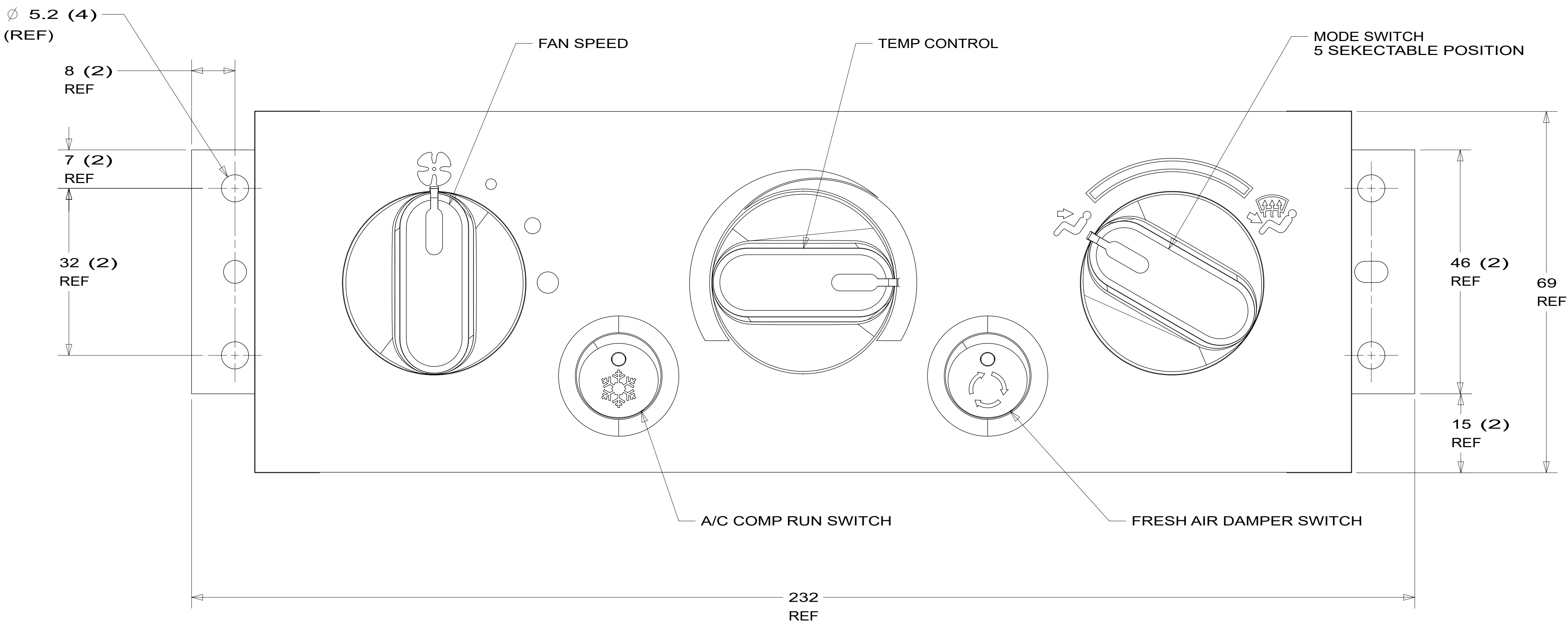


8 7 6 5 4 3 2 1

D  
C  
B  
A



1. THIS COMPONENT WILL BE USED IN A MOTOR VEHICLE.

NOTES:

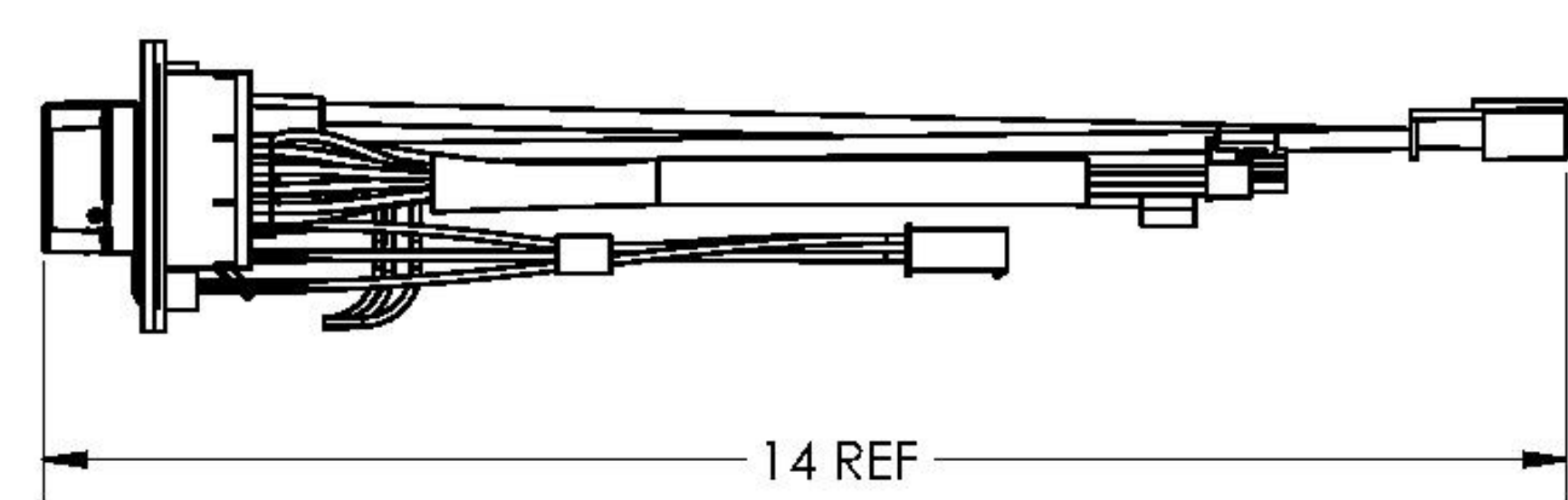
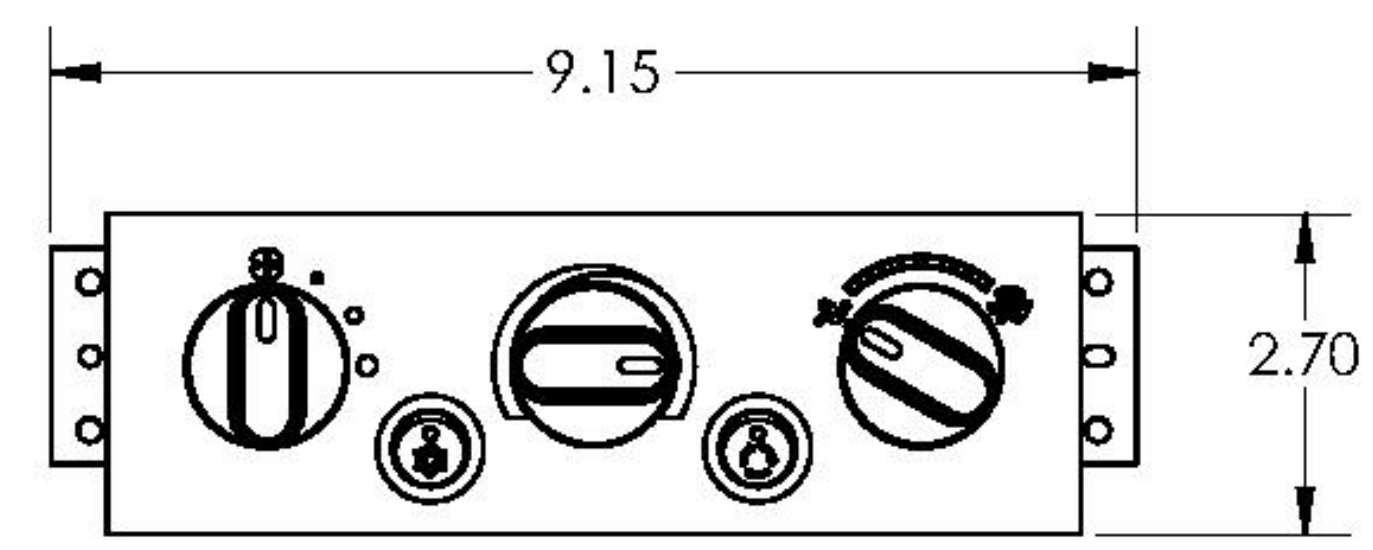
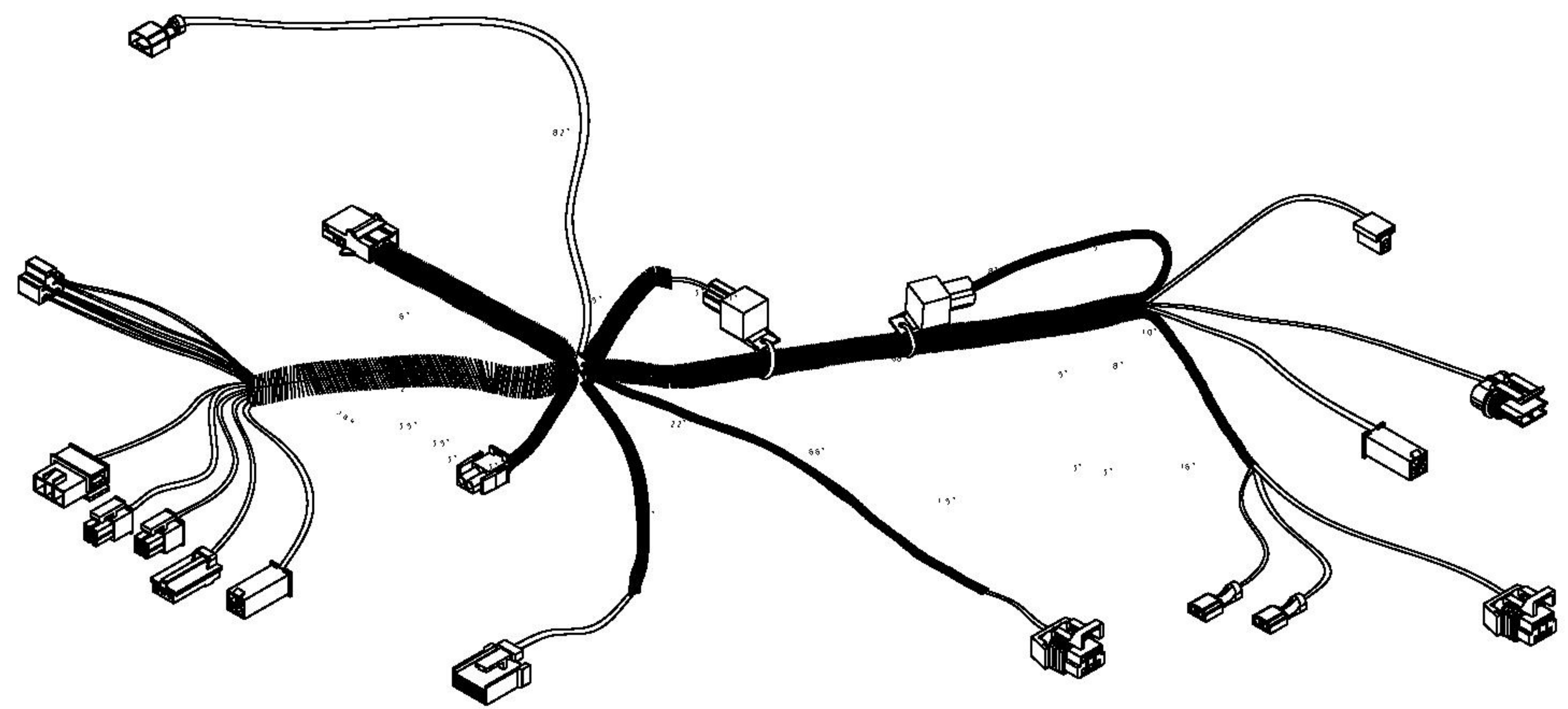
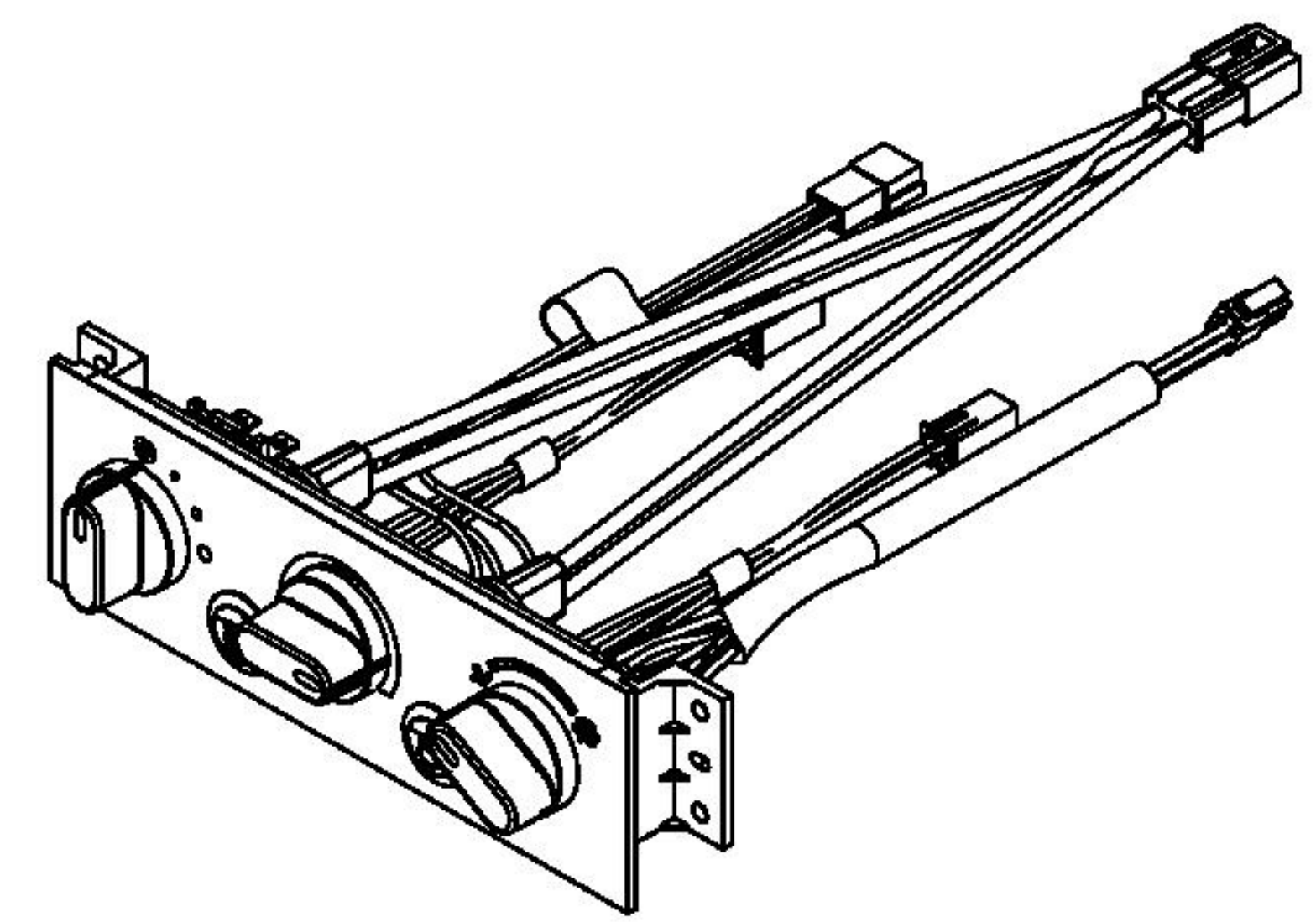
<b>WINNEBAGO</b> <sup>®</sup>		COPYRIGHT 2022 WINNEBAGO INDUSTRIES, INC.	
DSNR:		ALL DIMENSIONS ARE IN MILLIMETERS	
DFTR:		⊕	
UNSPECIFIED TOLERANCES:	MATERIAL:		
WHOLE DIM (X) :	3		
ONE-PLACE (X.X) :	1.5		
TWO-PLACE (X.XX) :	0.50		
ANGLE :	1°		
REFER TO ES0018 FOR FASTENER TIGHTENING GUIDELINES		WEIGHT: (LBS)	FIRST USED: (REF)
		-	18 V-SER
DESCRIPTION: <b>PANEL-CONTROL, HORZ W/HARN-GAS</b>			
SHEET:	ITEM/PART NO.:	REV:	
1 OF 2	000038465 / 31923501000		
		REF: 1 15-Dec-2022	

8 7 6 5 4 3 2 1

DWG. NO.  
**70-08637**

SCALE: NTS      SHEET 1 OF 1

REV



**PROPRIETARY AND CONFIDENTIAL**  
THE INFORMATION CONTAINED IN THIS DRAWING IS THE SOLE PROPERTY OF VICTORY CLIMATE SYSTEMS, LLC. ANY REPRODUCTION IN PART OR AS A WHOLE WITHOUT THE WRITTEN PERMISSION OF VICTORY CLIMATE SYSTEM, LLC IS PROHIBITED.

RELEASED FOR QUOTATION	UNLESS OTHERWISE SPECIFIED: DIMENSIONS ARE IN INCH (REF) DO NOT SCALE DRAWING TOLERANCES (+): DECIMAL: .X .3 .XX .03 .XXX .010	THIRD ANGLE PROJECTION		Victory Climate Systems, LLC Fort Worth, Texas 76140    victoryclimatesystems.com	
DATE		APPROVALS	DATE	TITLE: <b>PANEL-CONTROL, HORZ W/HARNESS (319235-01-000)</b>	
NAME	INTERPRET GEOMETRIC TOL PER: ASMEY14.5-1982	<i>GO</i>	5/1/17	DWG. NO.	REV
RELEASED FOR PRODUCTION	MATERIAL: n/a	CHECKED	5/1/17	<b>70-08637</b>	
DATE	FINISH: n/a			SCALE: NTS	
NAME	FILE SAVE NAME: 319235-01-00 (70-08637) OUTLINE CONTROL PANEL ASSY APRIL 2017				

DESCRIPTION: <b>PANEL-CONTROL, HORZ W/HARN-GAS</b>		
SHEET: 2 OF 2	ITEM/PART NO: 000038465 / 31923501000	REV