

ANTENNA-SATELLITE RADIO
(SUPPLIED WITH SXM RECEIVER)
PLATE-SATELLITE RADIO
177256-04-CHT
SCREW
G11-08-08U (4)
SEAL

CABLE-MONITOR 1 3

WIRE ASM-MONITOR, 15' 283
(REF)

70D
OR
643 6 CABLE-ANTENNA, SATELLITE
(SUPPLIED WITH ANTENNA)

283 WIRE ASM-MONITOR
(REF)

4 ANTENNA-RADIO

FOR ELECTRICAL
TORQUE
SPECIFICATIONS
SEE DWG NO.
128783-01-000

FOR ELECTRICAL
CALLOUTS
SEE DWG NO.
121339-01-000

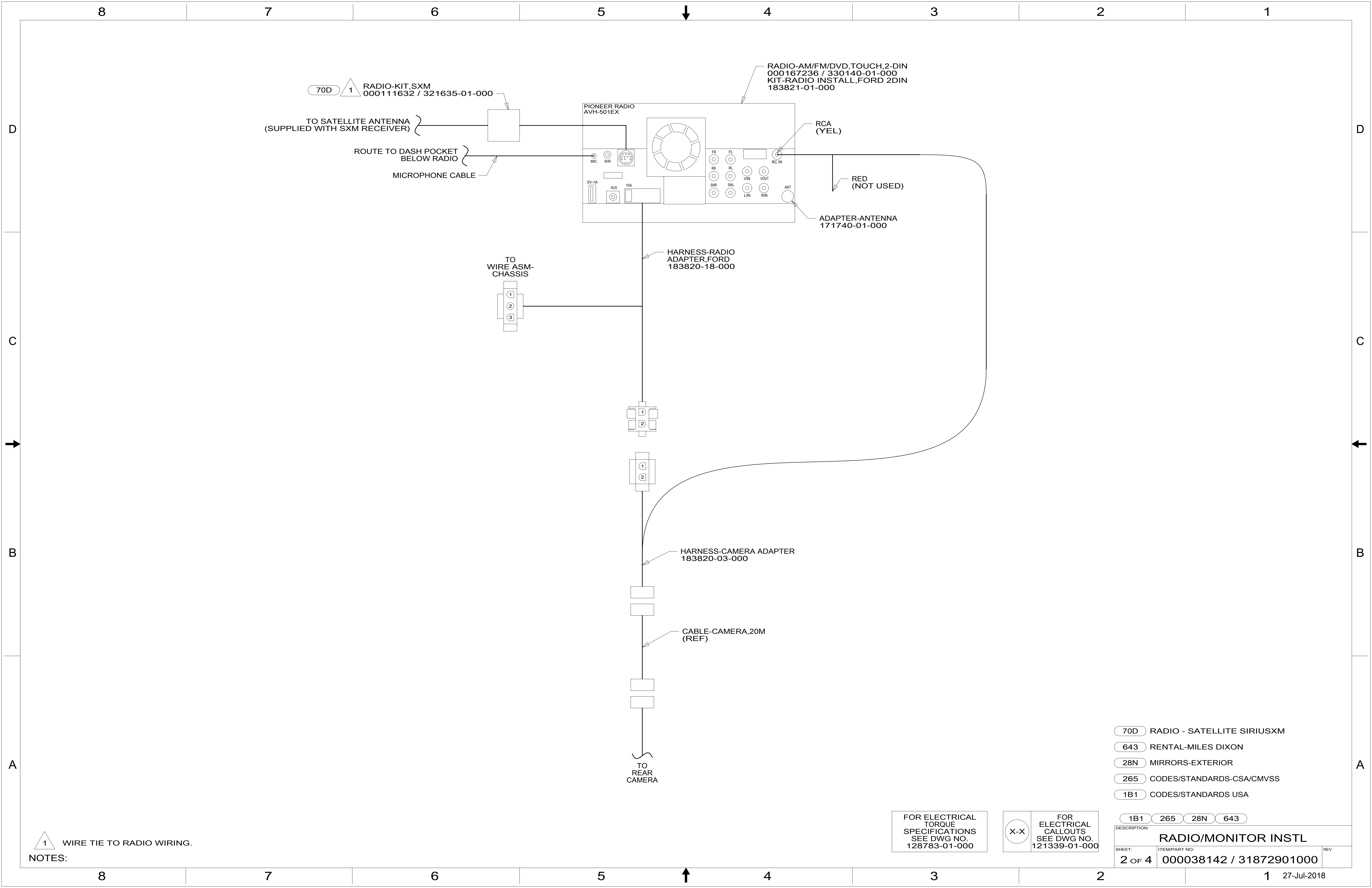
- 70D RADIO - SATELLITE SIRIUSXM
- 643 RENTAL-MILES DIXON
- 283 MIRRORS-UPGRADE W/CAMERA
- 265 CODES/STANDARDS-CSA/CMVSS
- 1B1 CODES/STANDARDS USA



DSNR:	ALL DIMENSIONS ARE IN MILLIMETERS	
DIFTR:		
UNSPECIFIED TOLERANCES:	MATERIAL:	
WHOLE DIM (X) : 3		
ONE-PLACE (X.X) : 1.5		
TWO-PLACE (X.XX) : 0.50		
ANGLE : 1°		
REFER TO ES0018 FOR FASTENER TIGHTENING GUIDELINES	WEIGHT: (LBS)	FIRST USED: 18 322M

DESCRIPTION: RADIO/MONITOR INSTL		
SHEET: 1 OF 4	ITEM/PART NO: 000038142 / 31872901000	REV:
REF:	1	27-Jul-2018

- NOTES:
- 6 ROUTE CABLE FROM RADIO TO PASSENGER'S STEPWELL AREA, UP WINGWALL, THROUGH SLEEPER BOARD ASM, UNDER TRIM TO ANTENNA PLATE ON ROOF.
 - 5 MOUNT ANTENNA AND PLATE SUCH THAT BASE IS SQUARE WITH ROOF AND DIRECTLY OVER HOLE IN ROOF. SEAL BOTH HOLE IN ROOF AND ANTENNA BASE AT SCREWS.
 - 4 SUPPLIED WITH CHASSIS. USE SHORTEST SUPPLIED ANTENNA.
 - 3 ROUTE CABLE TO DASH RADIO.
 - 2 WIRING IS ROUTED DIFFERENTLY FOR EACH UNIT FROM THIS POINT REARWARD.
 - 1 REAR MONITOR CAMERA CABLE IS PART OF WIRE ASM-CHASSIS AND RUNS ALONG LEFT FRAME RAIL.



8

7

6

5

4

3

2

1



D

D

C

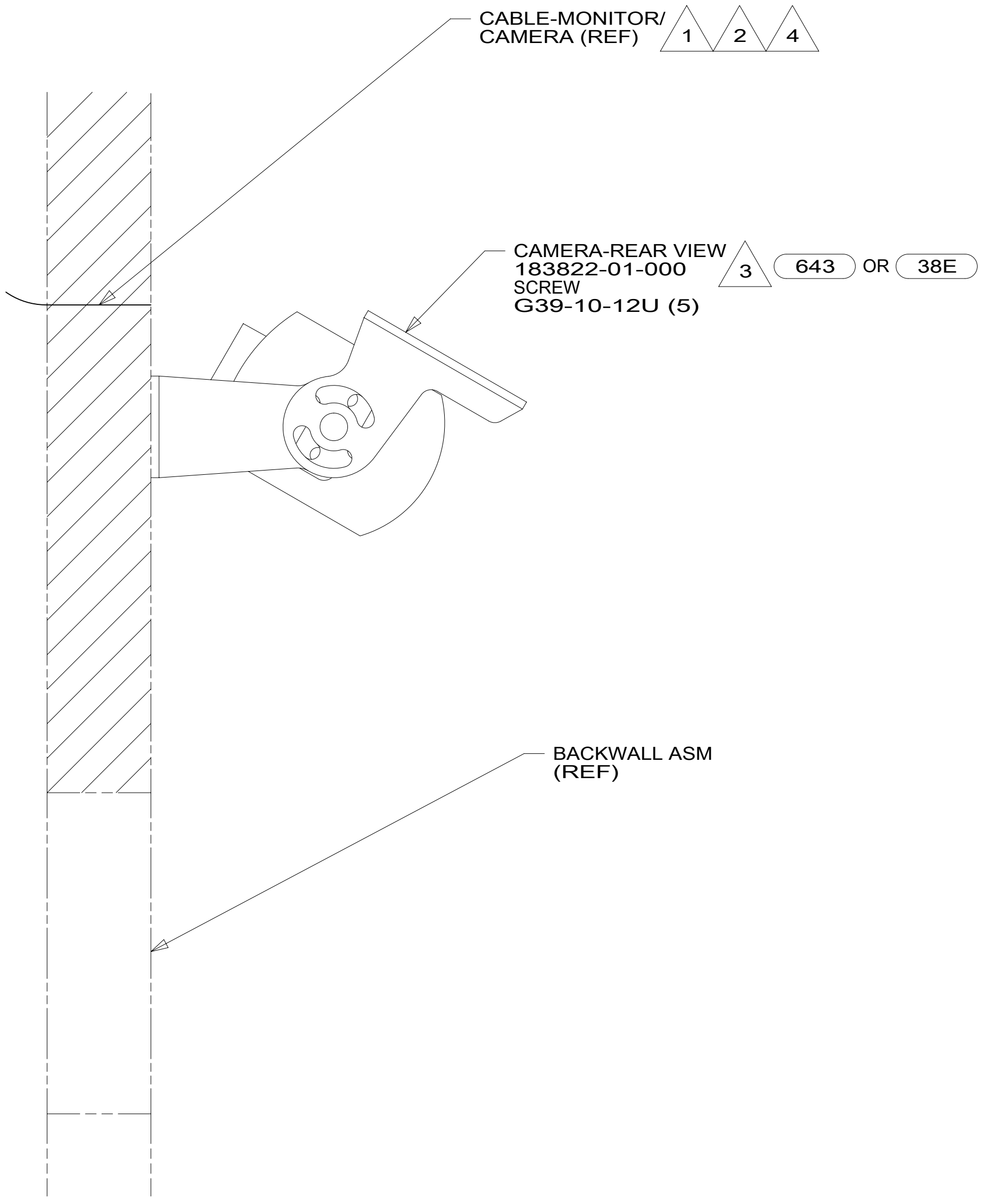
C

B

B

A

A



VIEW DA

- NOTES:
- 4 LEAVE CAMERA CABLE IN BOTTOM OF OVHD CABT WITH 38B
 - 3 ADJUST CAMERA AFTER MOUNTING SO BACKWALL IS JUST VISIBLE ON BOTTOM OF THE SCREEN.
 - 2 REAR MONITOR CABLE IS PART OF THE WIRE ASM-CHASSIS. SEE WIRING INSTL-CHASSIS FOR ADDITIONAL INFORMATION.
 - 1 CABLE ROUTED THRU BACKWALL WITH 88E OR 643

- 643 RENTAL-MILES DIXON
- 38B CONVENIENCE PKG - WITHOUT
- 265 CODES/STANDARDS-CSA/CMVSS
- 1B1 CODES/STANDARDS USA

FOR ELECTRICAL TORQUE SPECIFICATIONS SEE DWG NO. 128783-01-000

FOR ELECTRICAL CALLOUTS SEE DWG NO. 121339-01-000

DESCRIPTION:		1B1 265	
RADIO/MONITOR INSTL			
SHEET:	ITEM/PART NO.:	REV	
4 OF 4	000038142 / 31872901000		

8

7

6

5

4

3

2

1

